



US00D887106S

(12) **United States Design Patent**
Karp et al.

(10) **Patent No.:** **US D887,106 S**
(45) **Date of Patent:** **** Jun. 16, 2020**

(54) **INTERLEAVE WITH CHEESE**

DESCRIPTION

- (71) Applicant: **Sargento Foods Inc.**, Plymouth, WI (US)
- (72) Inventors: **Jeff Karp**, Elkhart Lake, WI (US);
Todd Purkey, Elkhart Lake, WI (US)
- (73) Assignee: **Sargento Foods Inc.**, Plymouth, WI (US)
- (**) Term: **15 Years**
- (21) Appl. No.: **29/662,685**
- (22) Filed: **Sep. 7, 2018**
- (51) **LOC (12) Cl.** **01-01**
- (52) **U.S. Cl.**
USPC **D1/102; D9/416**
- (58) **Field of Classification Search**
USPC D1/100–130, 199; 426/5, 76, 87, 92, 94,
426/95, 99, 101, 103, 108, 138–139, 143,
(Continued)

(56) **References Cited**

U.S. PATENT DOCUMENTS

- 3,445,083 A * 5/1969 Louis A47G 27/0206
248/346.01
- D246,346 S * 11/1977 Strunk D8/354
(Continued)

OTHER PUBLICATIONS

BPM Inc.; "Cheese Interleaver Papers" ; Website; http://bpmpaper.com/Cheese_Interleaver.html; Feb. 14, 2017 ; 1 page.

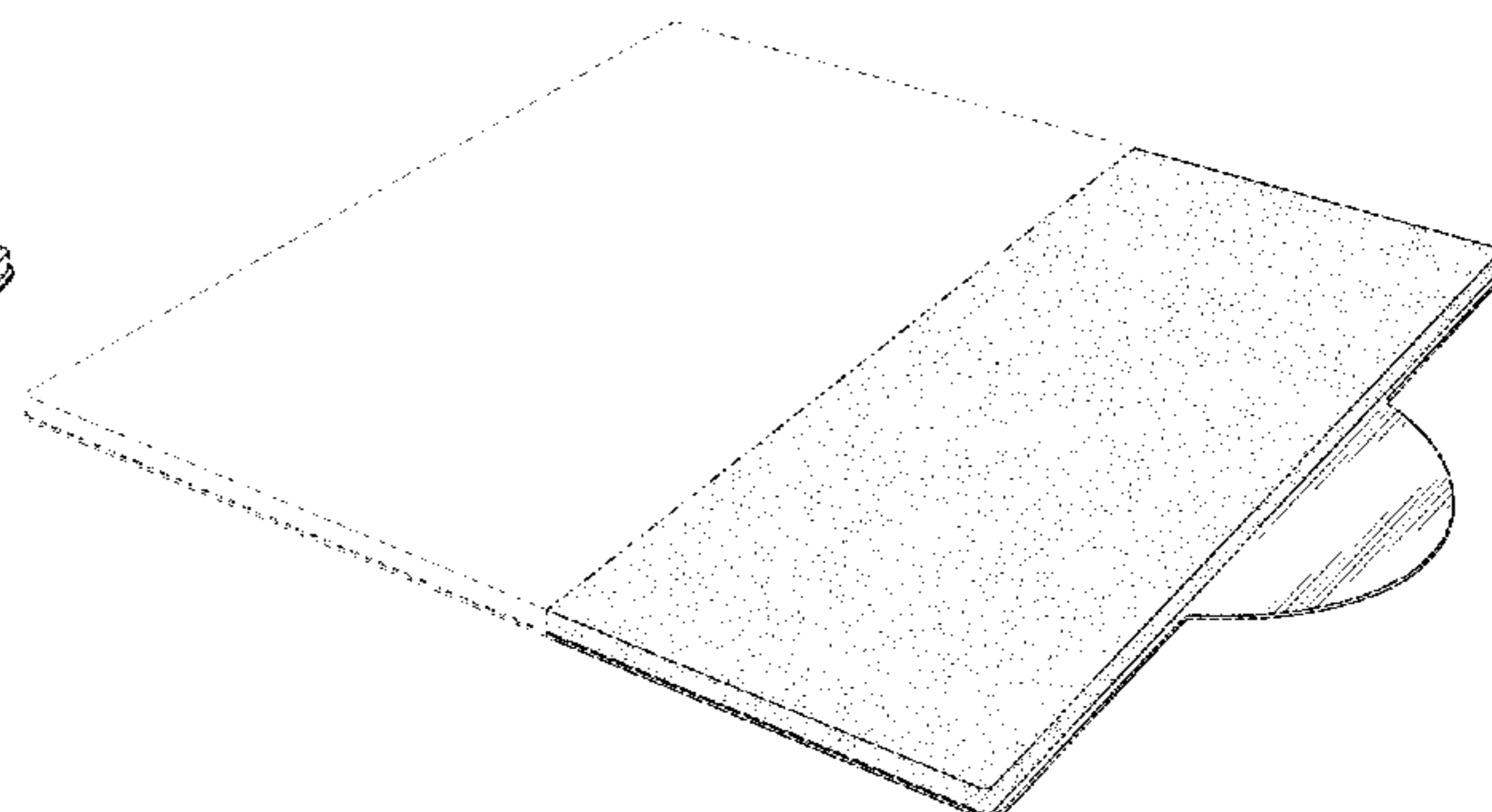
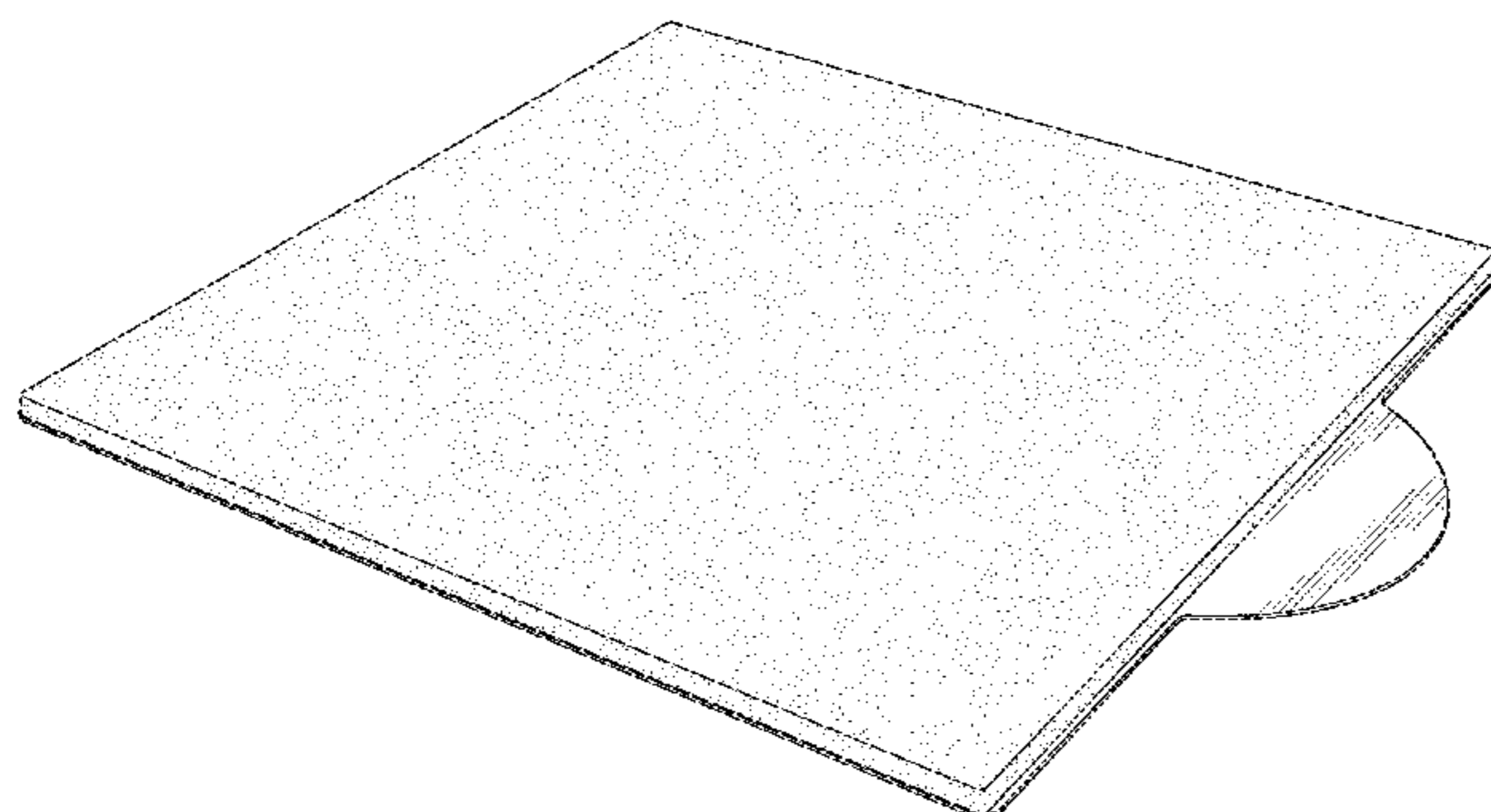
Primary Examiner — Katie Jane Stofko
(74) *Attorney, Agent, or Firm* — Boyle Fredrickson S.C.

(57) **CLAIM**

We claim the ornamental design for an interleave with cheese, as shown and described.

FIG. 1 is a top perspective view of an interleave with cheese. FIG. 2 is a top view of the interleave with cheese shown in FIG. 1. FIG. 3 is a bottom view of the interleave with cheese shown in FIG. 1. FIG. 4 is a right side view of the interleave with cheese shown in FIG. 1. FIG. 5 is a left side view of the interleave with cheese shown in FIG. 1. FIG. 6 is a front view of the interleave with cheese shown in FIG. 1. FIG. 7 is a rear view of the interleave with cheese shown in FIG. 1. FIG. 8 is a cross-section view of the interleave with cheese taken through line 8-8 in FIG. 2. FIG. 9 is a top perspective view of an interleave with cheese. FIG. 10 is a top view of the interleave with cheese shown in FIG. 9. FIG. 11 is a bottom view of the interleave with cheese shown in FIG. 9. FIG. 12 is a right side view of the interleave with cheese shown in FIG. 9. FIG. 13 is a left side view of the interleave with cheese shown in FIG. 9. FIG. 14 is a front view of the interleave with cheese shown in FIG. 9. FIG. 15 is a rear view of the interleave with cheese shown in FIG. 9; and, FIG. 16 is a cross-section view of the interleave with cheese taken through line 16-16 in FIG. 10. The broken lines having equal segments represent portions of the article that form no part of the claimed design. The broken lines having unequal length segments illustrate the boundaries between claimed and unclaimed portions of the design and form no part of the claimed design. In FIGS. 1-16, stippling and straight-line surface shading represent contrast in materials, and the stippling represents the appearance of cheese as indicated by the use of the conventional graphic drawing symbol for cheese in the cross-section of FIGS. 8 and 16.

1 Claim, 8 Drawing Sheets



(58) **Field of Classification Search**

USPC 426/144, 279, 282, 283, 391, 514, 549,
 426/660, 72, 582; 424/438, 440, 464,
 424/470-472; D30/121; D9/414-418,
 D9/423, 431, 643, 702, 707; D19/1
 CPC .. A61K 9/2072; A61K 9/0004; A61K 9/2095;
 A61K 9/209; B65D 31/00; B65D 75/5838
 See application file for complete search history.

(56) **References Cited**

U.S. PATENT DOCUMENTS

5,150,708	A *	9/1992	Brooks	A61N 1/046 600/391
5,366,489	A *	11/1994	Burgio	A61B 18/16 607/47
D432,137	S *	10/2000	Holtzman	D14/458
D537,735	S *	3/2007	Fountoulakis	D9/415
D622,995	S *	9/2010	Beraha	D20/27
D681,110	S *	4/2013	Sato	D19/1
D681,831	S *	5/2013	Samlaska	D24/189
D690,351	S *	9/2013	Sato	D19/1
9,033,147	B2 *	5/2015	Lee	A45C 11/00 206/320
D734,849	S *	7/2015	Conforti	D24/124
D772,338	S *	11/2016	Sato	D19/1
D822,676	S *	7/2018	Nicholas	D14/458
D843,533	S *	3/2019	Hopkins	D21/771
D844,930	S *	4/2019	Moore	D2/602
D850,152	S *	6/2019	Amrine	D6/592
2006/0057324	A1 *	3/2006	Phillips	B42D 5/003 428/40.1
2011/0244168	A1 *	10/2011	Chou	B32B 27/02 428/71

* cited by examiner

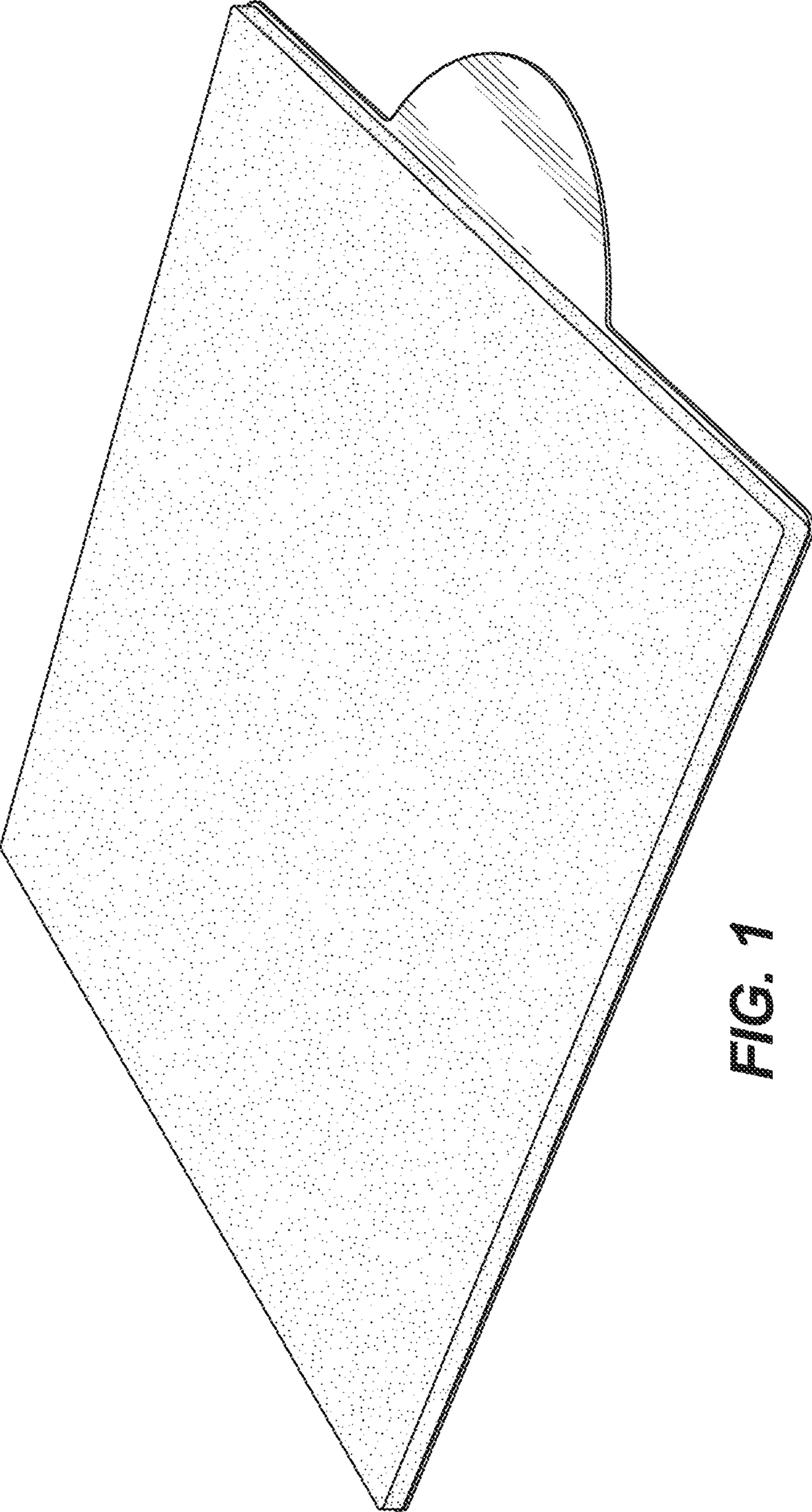


FIG. 1

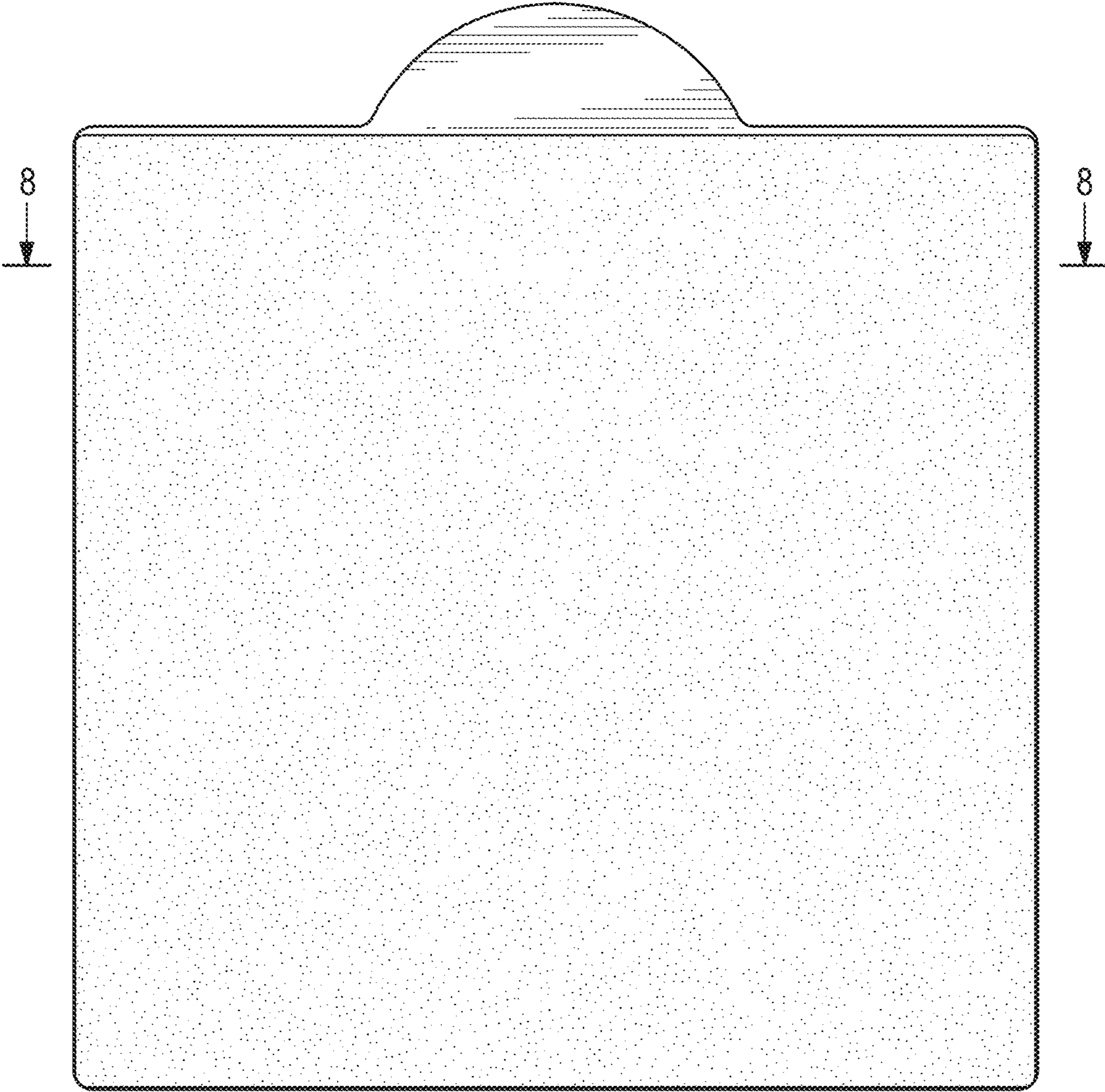


FIG. 2

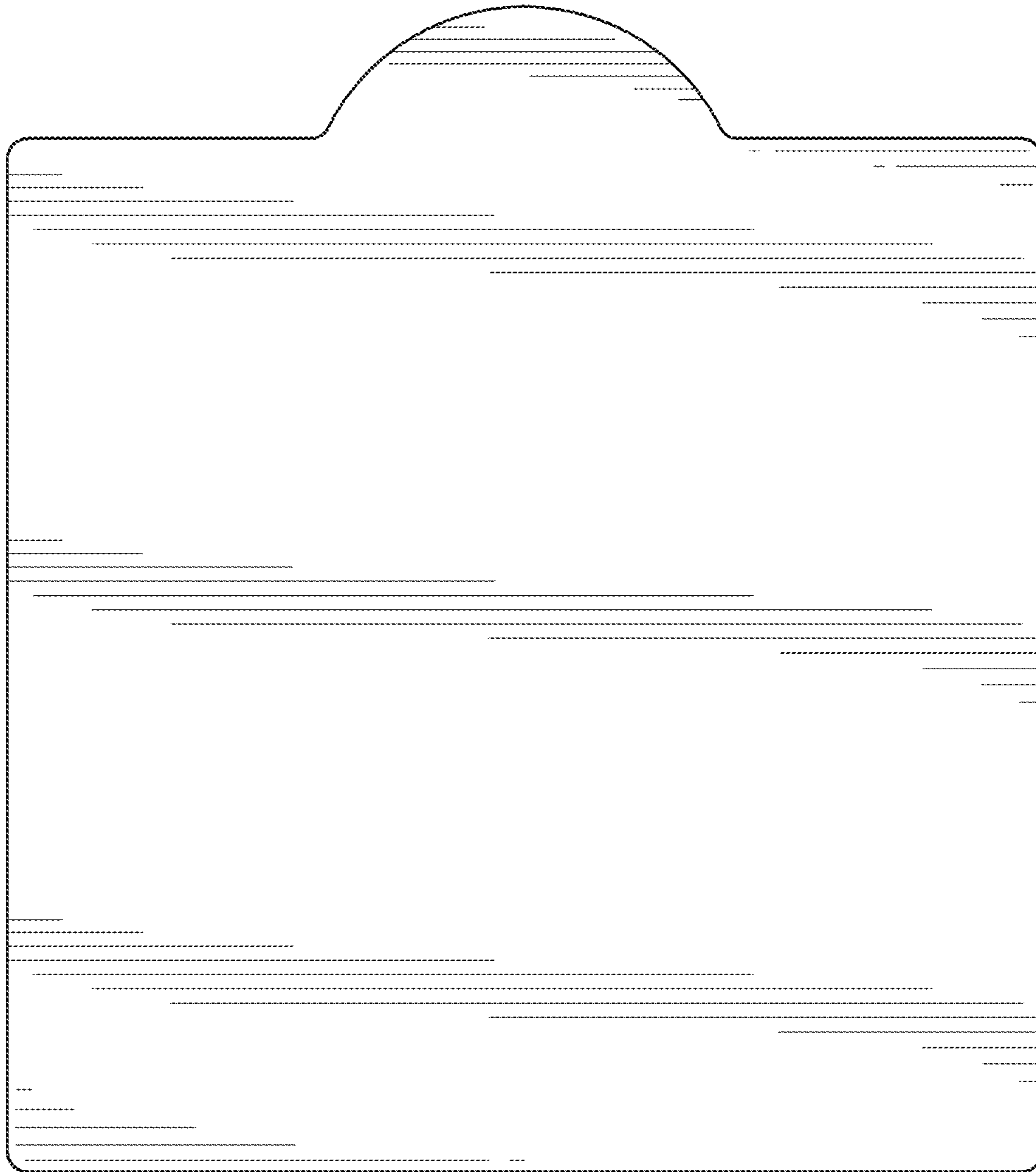


FIG. 3

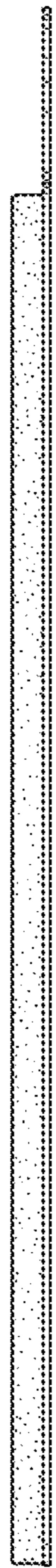


FIG. 4

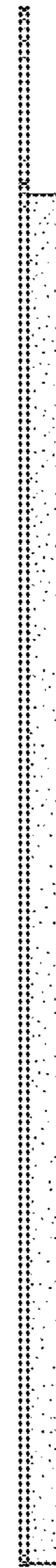


FIG. 5

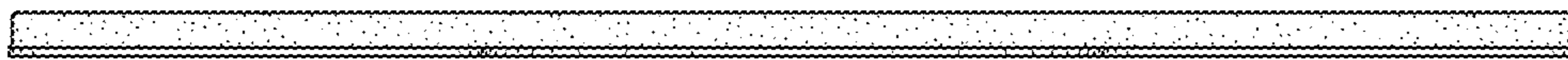


FIG. 6

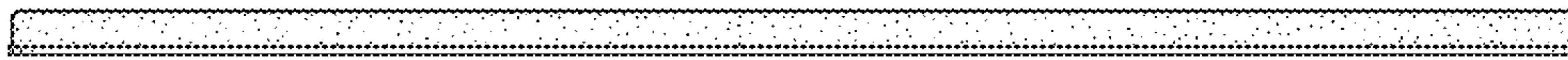


FIG. 7

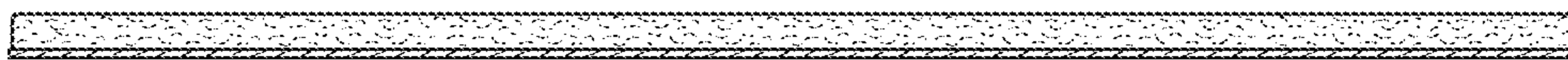
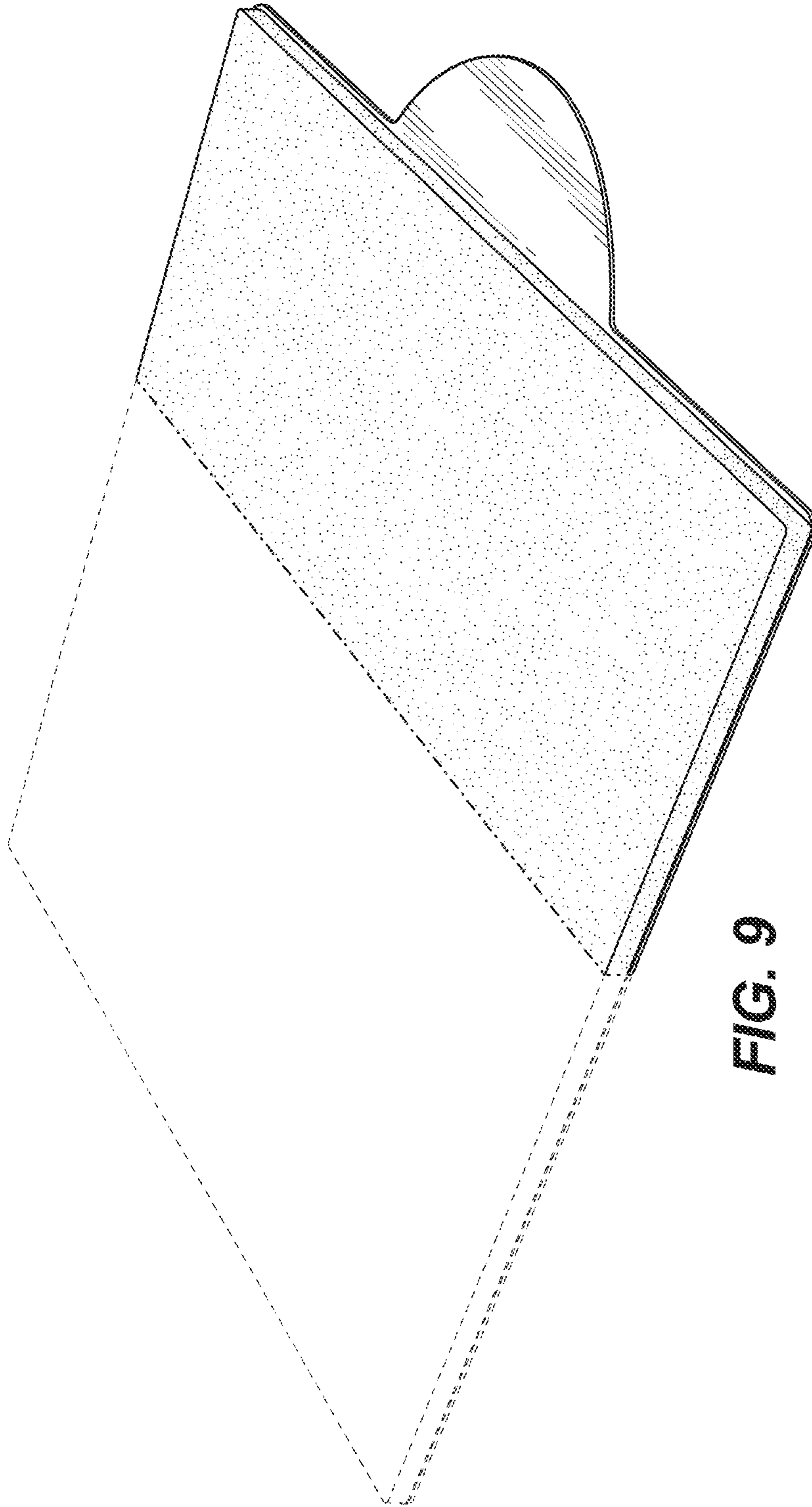


FIG. 8



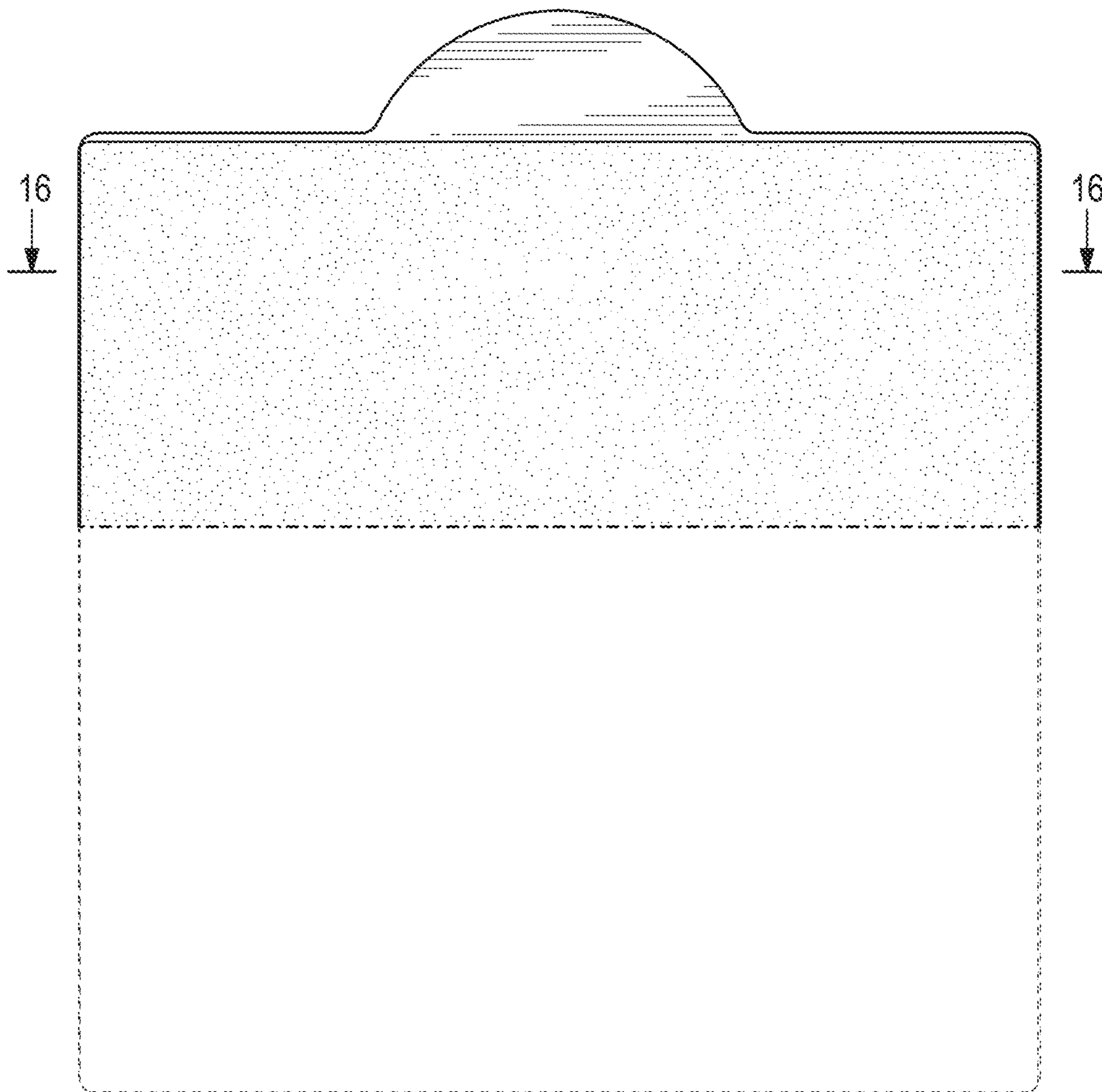


FIG. 10

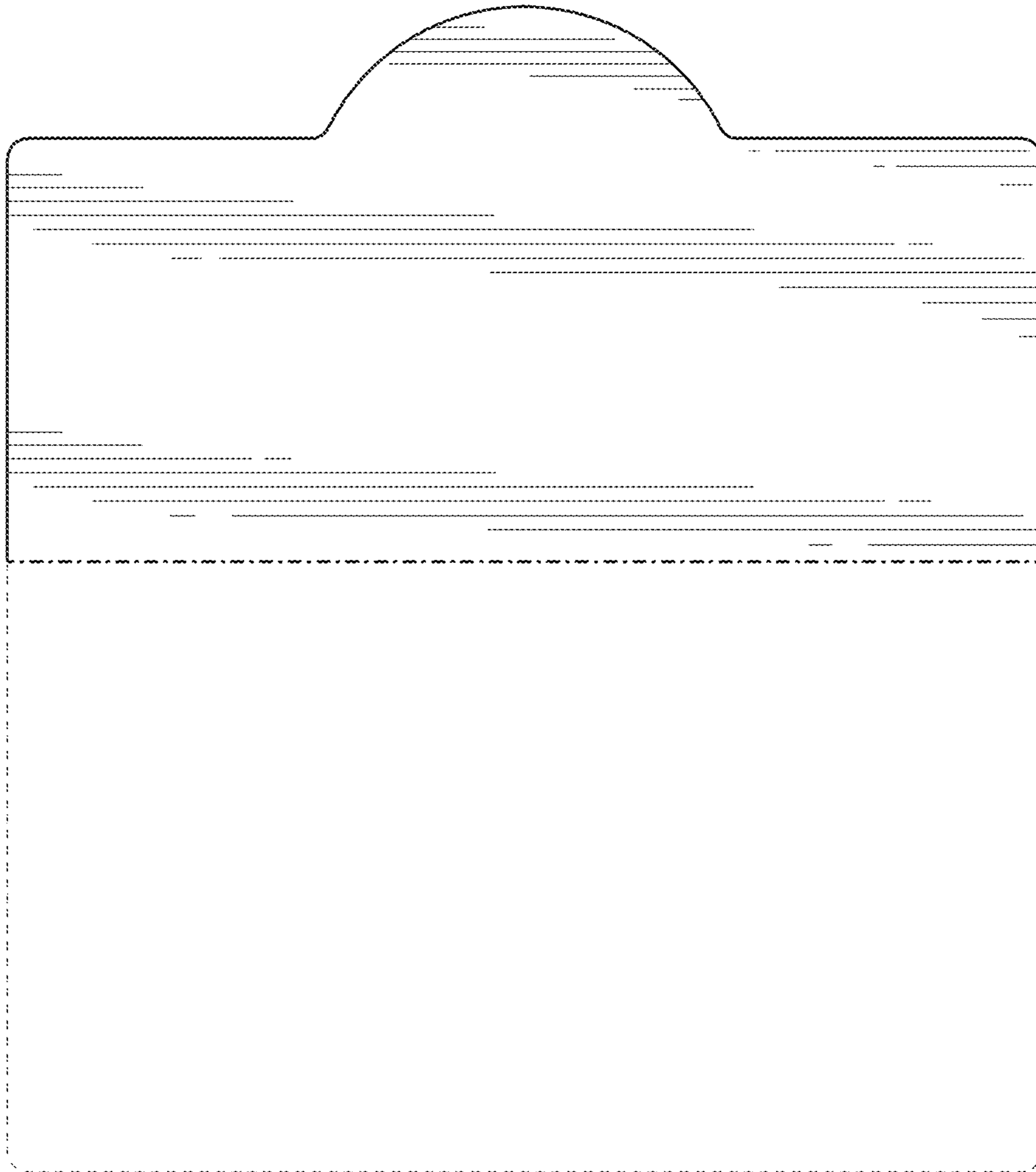


FIG. 11

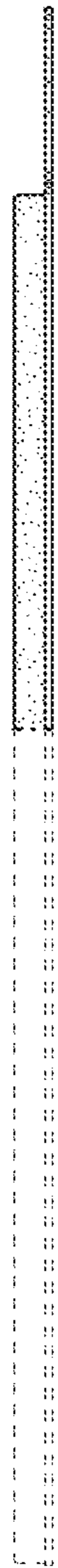


FIG. 12

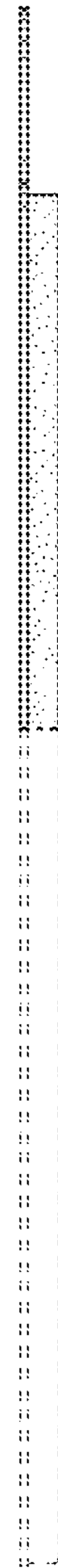


FIG. 13

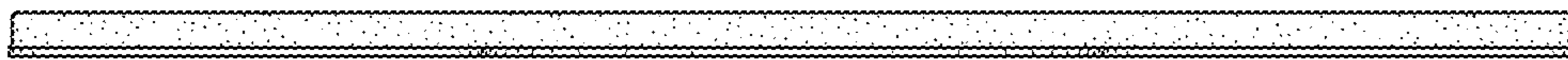


FIG. 14

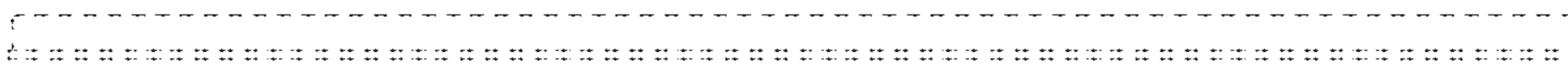


FIG. 15

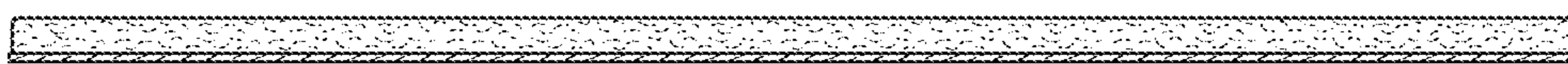


FIG. 16