



US00D887105S

(12) **United States Design Patent**
Loucks

(10) **Patent No.:** **US D887,105 S**

(45) **Date of Patent:** **** *Jun. 9, 2020**

(54) **STACKABLE BEVERAGE CONTAINER**

(71) Applicant: **Square Keg, LLC**, Spokane, WA (US)

(72) Inventor: **Tim Loucks**, Spokane, WA (US)

(73) Assignee: **Square Keg, LLC**, Spokane, WA (US)

(*) Notice: This patent is subject to a terminal disclaimer.

(**) Term: **15 Years**

(21) Appl. No.: **29/670,509**

(22) Filed: **Nov. 16, 2018**

(51) **LOC (12) Cl.** **09-02**

(52) **U.S. Cl.**
USPC **D34/39**

(58) **Field of Classification Search**

USPC D34/39, 27; 220/495.03, 592.19, 592.16,
220/592.18, 592.17, 586-587, 565, 567.1,
220/581; 137/317; D23/200, 202;
D9/500, 501; D7/306, 313, 300, 308,
D7/312; 217/72, 80, 88; 206/503, 505,
206/509, 511, 508, 515
CPC B67D 1/0829; B67D 2001/0822; B67D
1/0801; B65D 7/045; B65D 2543/00416;
F25D 2331/802; F25D 31/006

See application file for complete search history.

(56) **References Cited**

U.S. PATENT DOCUMENTS

3,456,827 A * 7/1969 Wakeem B65D 9/04
217/72

3,462,038 A * 8/1969 Morris B65D 9/34
217/72
D298,450 S * 11/1988 Thomas D23/202
5,199,570 A * 4/1993 McKenzie B65D 1/18
206/503
D349,944 S * 8/1994 Harris D23/202
D841,278 S * 2/2019 Theisen D34/39
2016/0355772 A1 * 12/2016 Karasch C12G 3/07

* cited by examiner

Primary Examiner — Gino Colan

(74) *Attorney, Agent, or Firm* — Randall Danskin P.S.

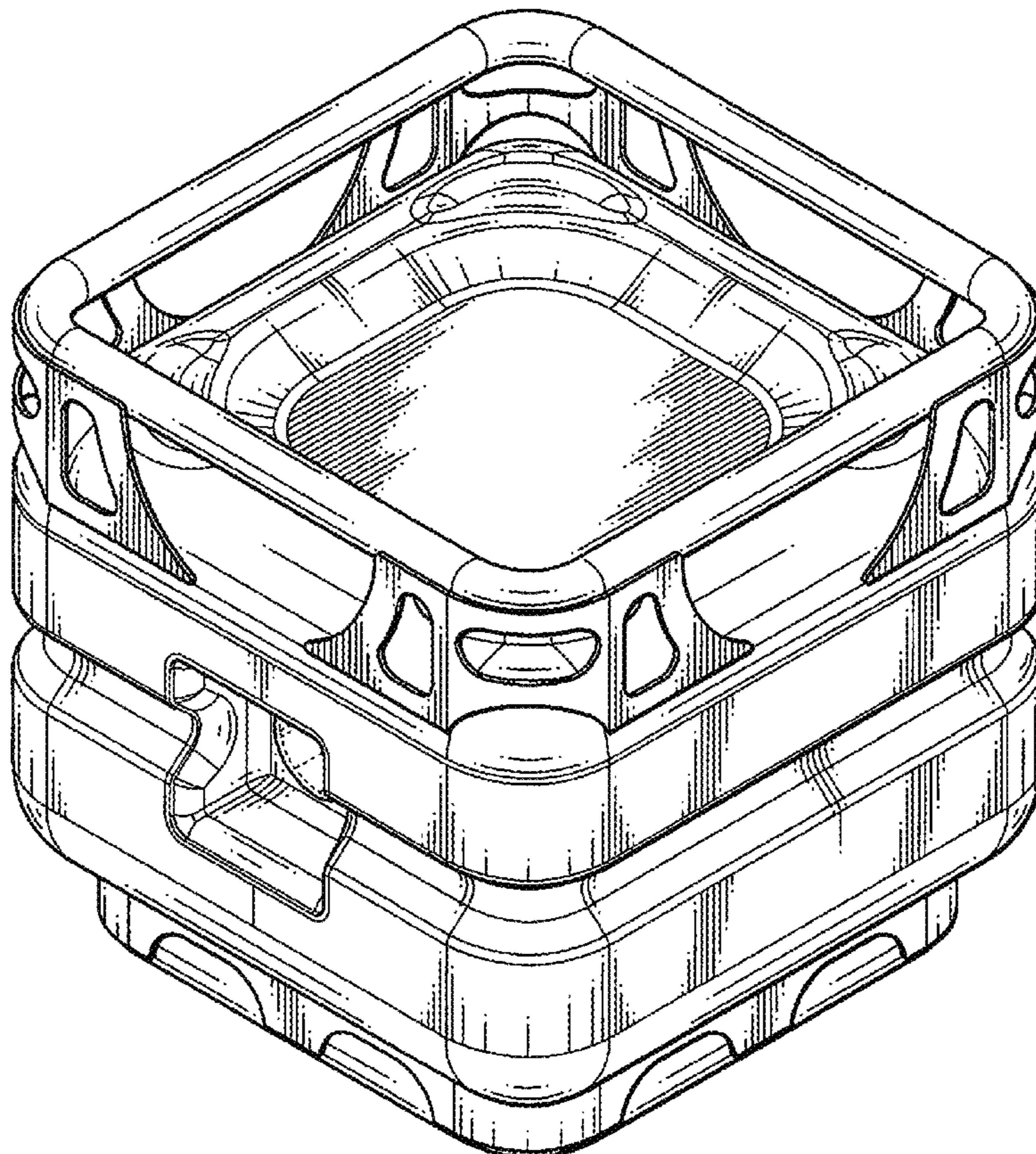
(57) **CLAIM**

I claim the ornamental design for a stackable beverage container, as shown and described.

DESCRIPTION

FIG. 1 is a top, front and right side perspective view of the stackable beverage container showing my new design; FIG. 2 is a bottom, front and right side perspective view thereof; FIG. 3 is a front elevational view thereof; FIG. 4 is a rear elevational view thereof, both sides and the rear being the same; FIG. 5 is a top, plan view thereof; and, FIG. 6 is a bottom, plan view thereof.

1 Claim, 6 Drawing Sheets



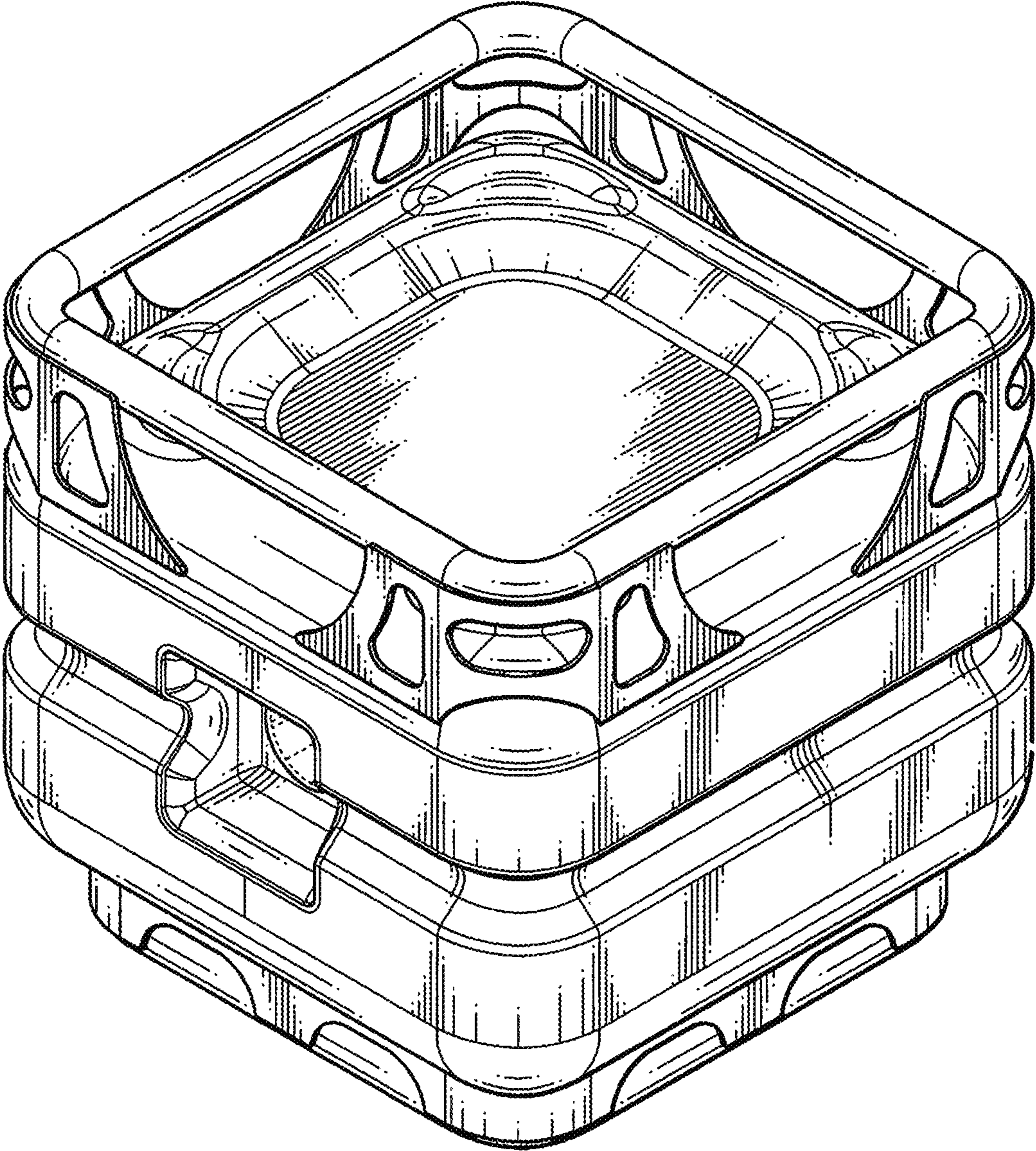


FIG. 1

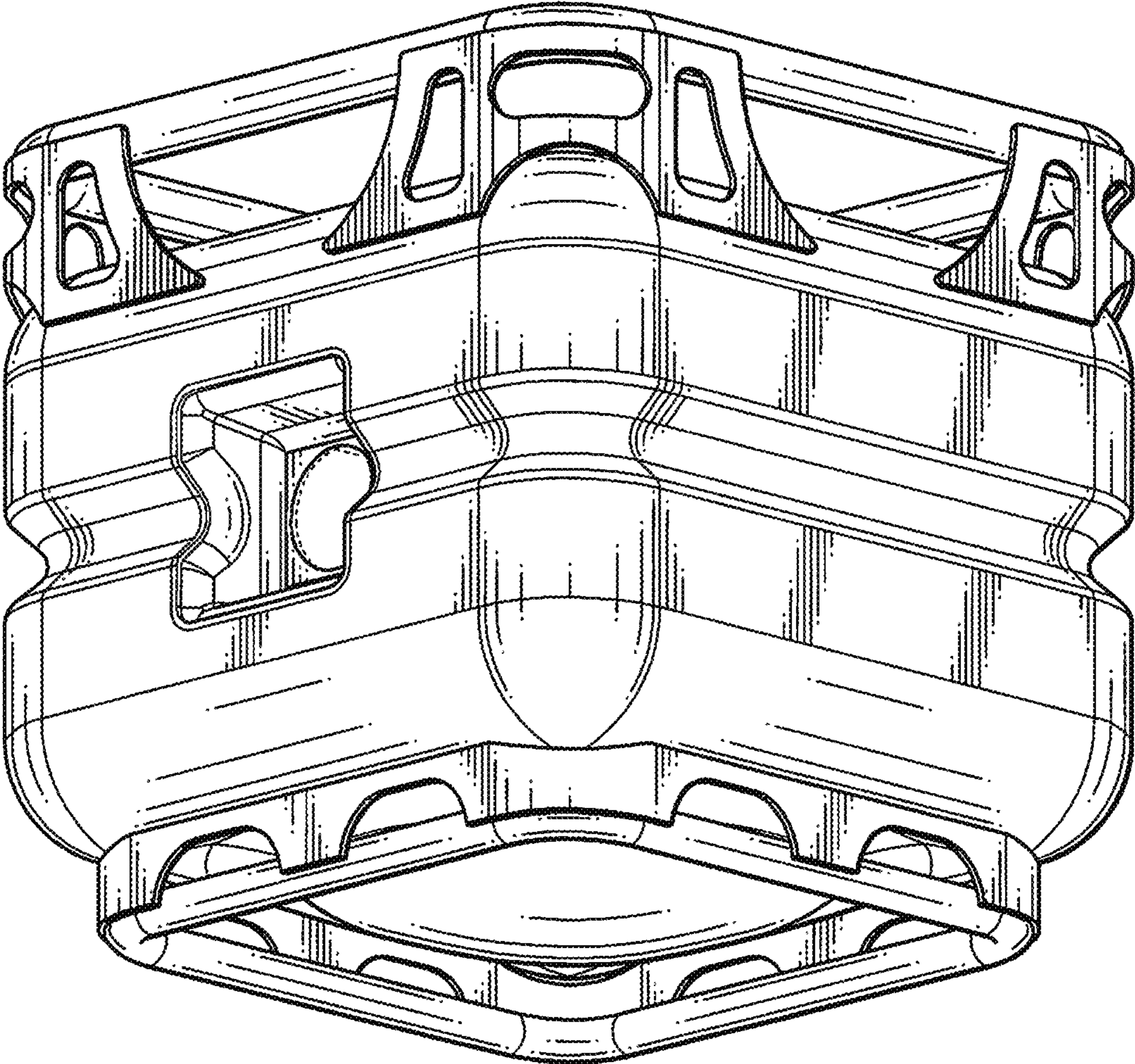


FIG. 2

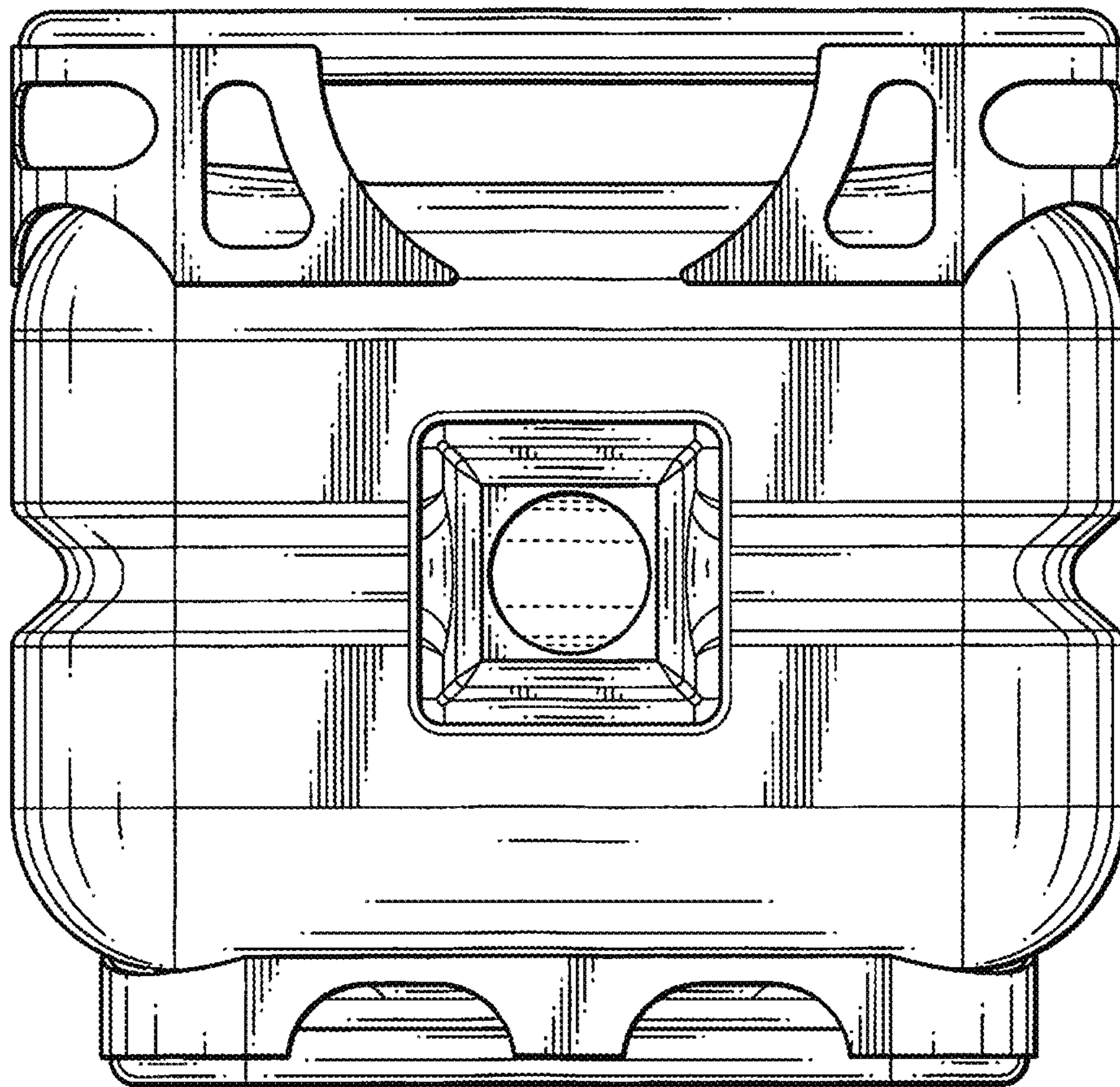


FIG. 3

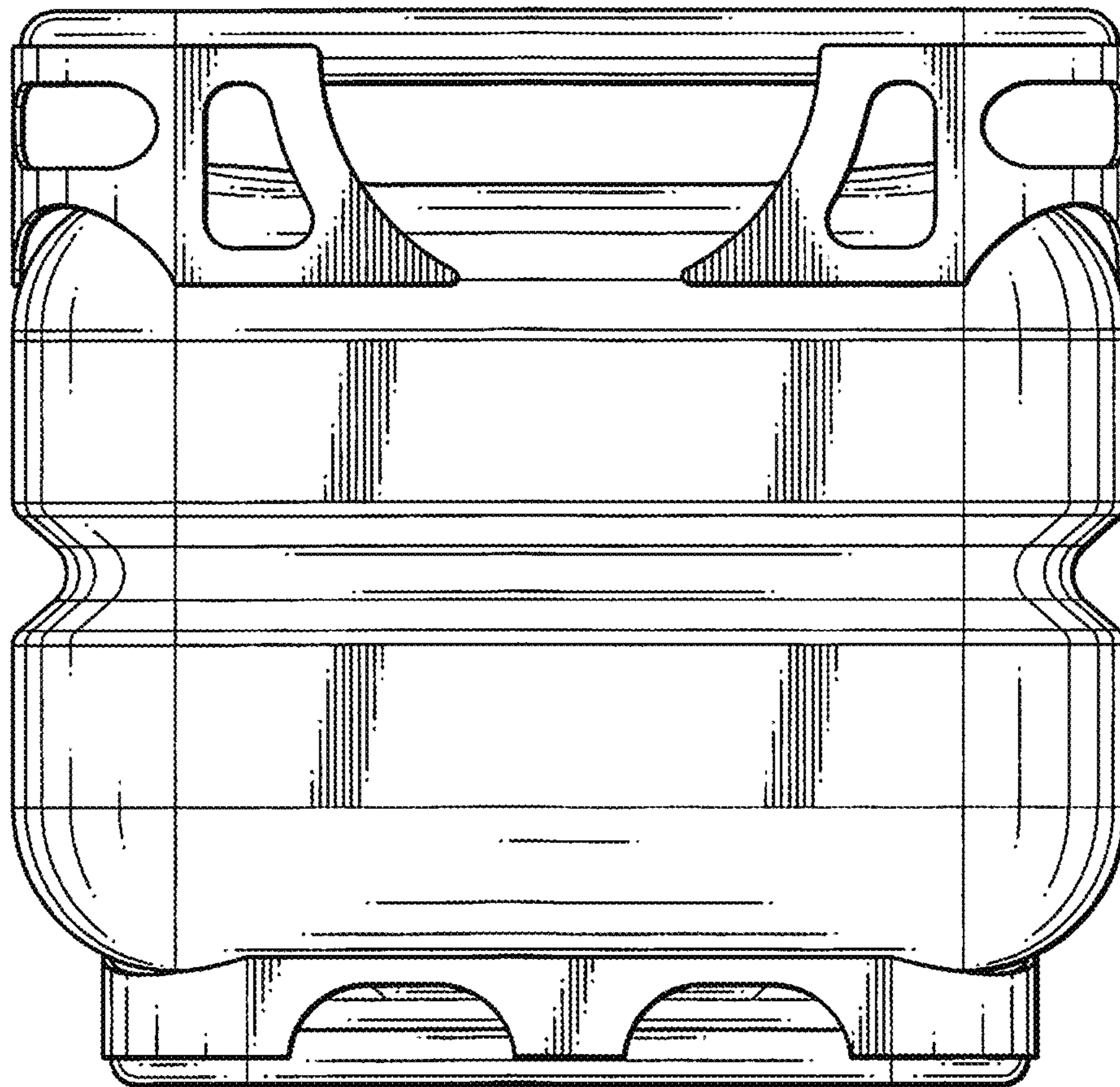


FIG. 4

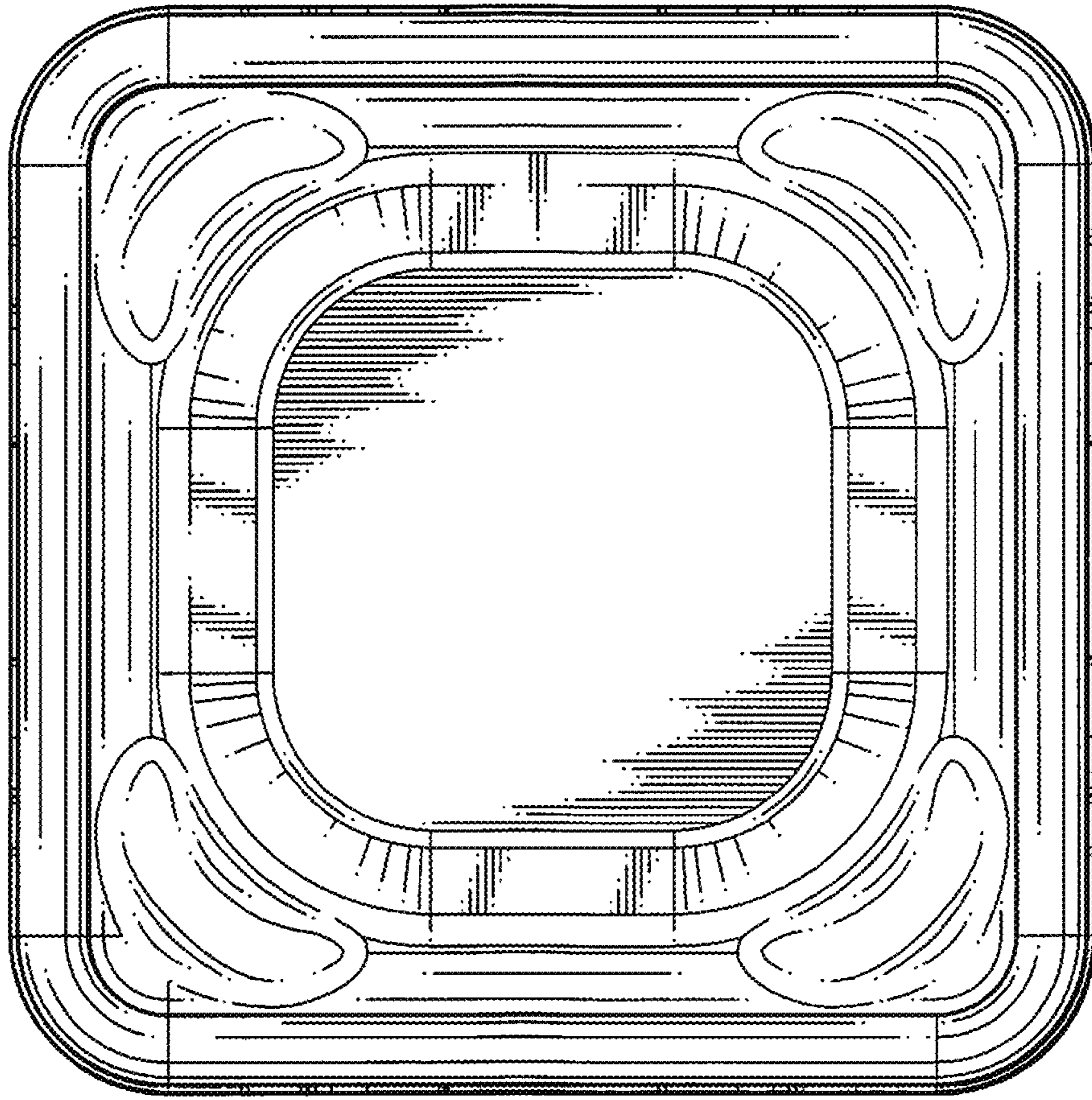


FIG. 5

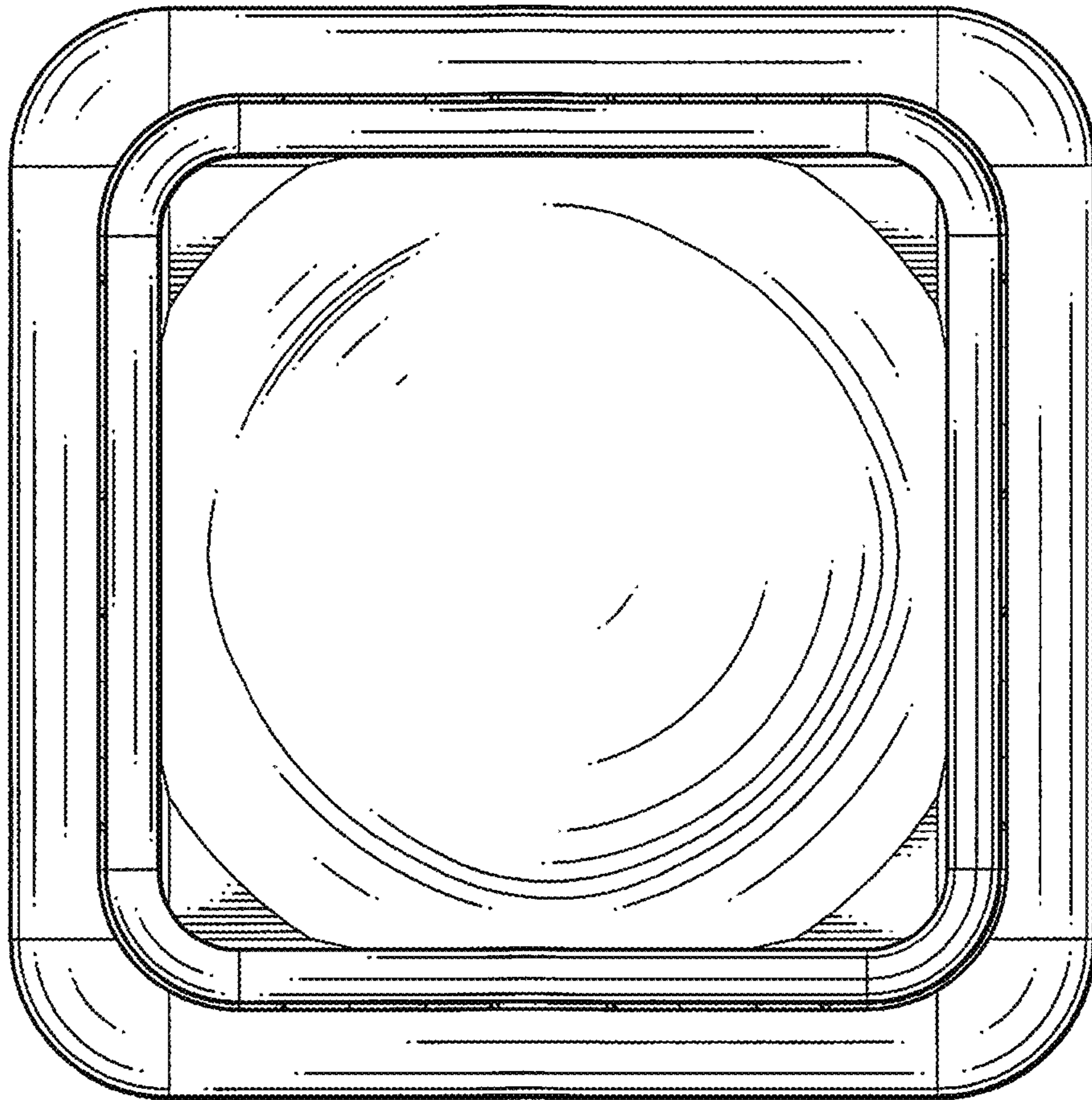


FIG. 6