



US00D887104S

(12) **United States Design Patent**
Allmendinger et al.

(10) **Patent No.:** **US D887,104 S**
(45) **Date of Patent:** **** Jun. 9, 2020**

(54) **APPARATUS FOR LIFTING, CONTROLLING AND MANEUVERING A WHEELBARROW**

(71) Applicants: **Craig D. Allmendinger**, Canton, CT (US); **Lori J. Allmendinger**, Canton, CT (US)

(72) Inventors: **Craig D. Allmendinger**, Canton, CT (US); **Lori J. Allmendinger**, Canton, CT (US)

(**) Term: **15 Years**

(21) Appl. No.: **29/655,631**

(22) Filed: **Jul. 5, 2018**

(51) **LOC (12) Cl.** **12-02**

(52) **U.S. Cl.**
USPC **D34/27**

(58) **Field of Classification Search**
USPC D34/12-27; 280/47.371, 47.29, 47.31, 280/33.992; 16/426, 427; D12/179
CPC .. B62B 5/06; B62B 5/067; B62B 3/02; B62B 3/1416; B62B 1/20; B62B 1/12; B62B 5/0442; B62B 5/066; B65H 2402/412
See application file for complete search history.

(56) **References Cited**

U.S. PATENT DOCUMENTS

D362,100 S * 9/1995 McMurdo D12/179
5,794,307 A * 8/1998 Overcash B62B 1/18
16/427
6,550,104 B2 * 4/2003 Cacciacarne B62B 5/06
16/426

6,880,852 B2 * 4/2005 Lim B62B 1/20
280/47.31
7,464,441 B2 * 12/2008 Peach B62B 1/18
280/47.31
D595,470 S * 6/2009 Albert D34/27

* cited by examiner

Primary Examiner — Gino Colan

(74) *Attorney, Agent, or Firm* — McHale & Slavin, P.A.

(57) **CLAIM**

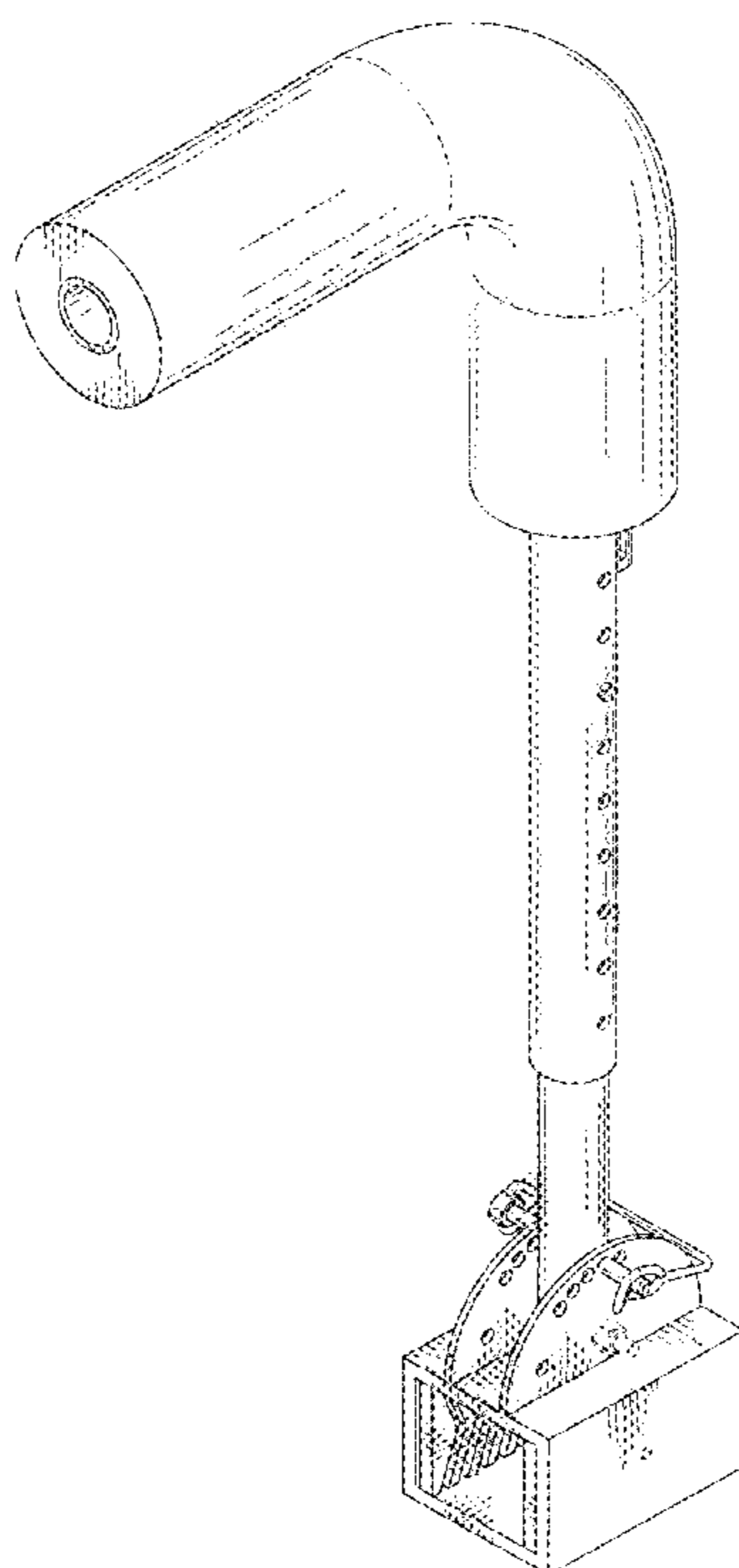
The ornamental design for an apparatus for lifting, controlling and maneuvering a wheelbarrow, as shown and described.

DESCRIPTION

FIG. 1 is a top front right perspective view of an apparatus for lifting, controlling and maneuvering a wheelbarrow showing our new design; FIG. 2 is a front elevation view thereof; FIG. 3 is a rear elevation view thereof; FIG. 4 is a left side elevation view thereof; FIG. 5 is a right side elevation view thereof; FIG. 6 is a top plan view thereof; FIG. 7 is a bottom plan view thereof; and, FIG. 8 is a top front right perspective view thereof, shown in condition of use.

The broken lines shown in the figures are included for the purpose of illustrating portions of the apparatus for lifting, controlling and maneuvering a wheelbarrow which form no part of the claimed design. The broken lines showing a wheelbarrow in FIG. 8 are included for the purpose of illustrating environment which form no part of the claimed design.

1 Claim, 7 Drawing Sheets



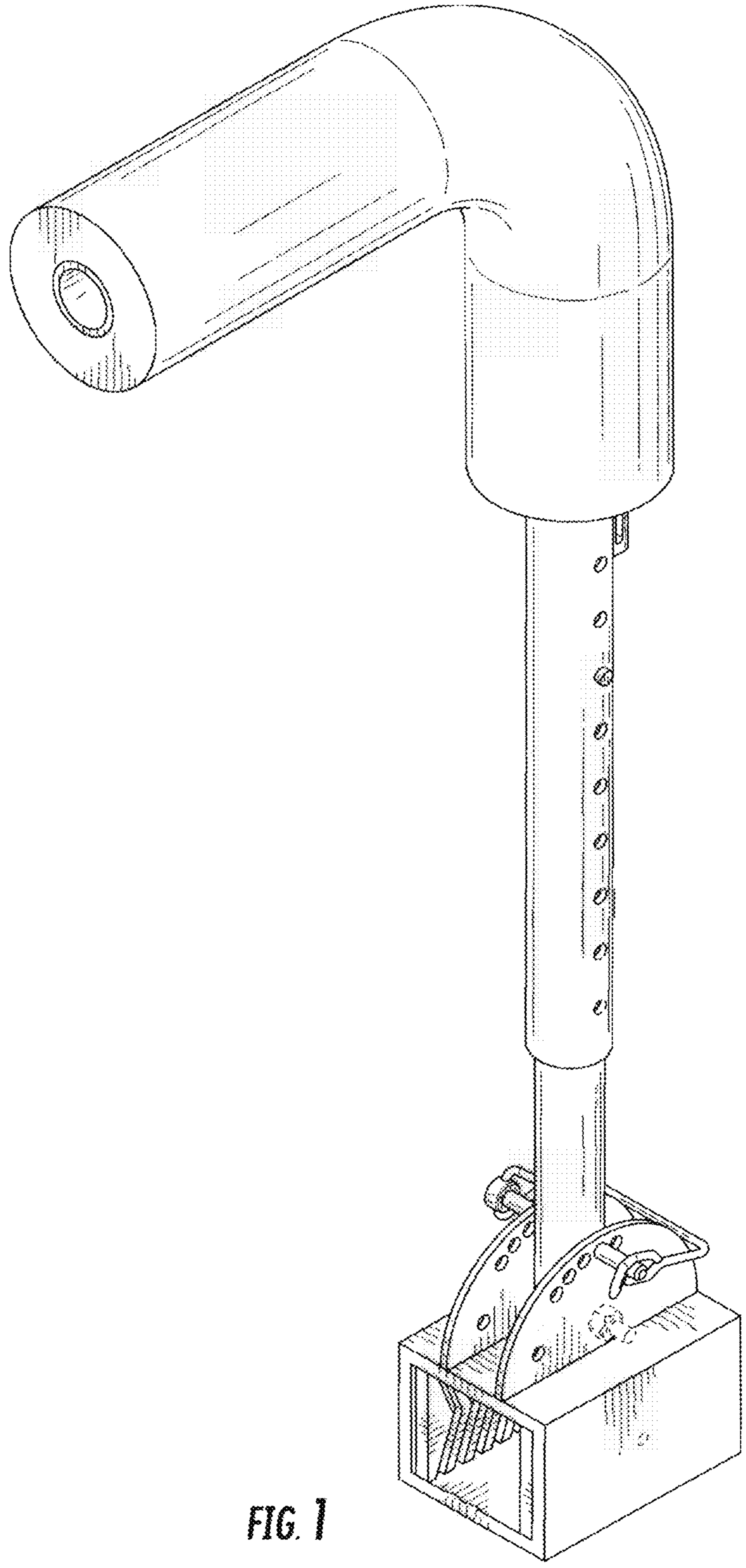


FIG. 1

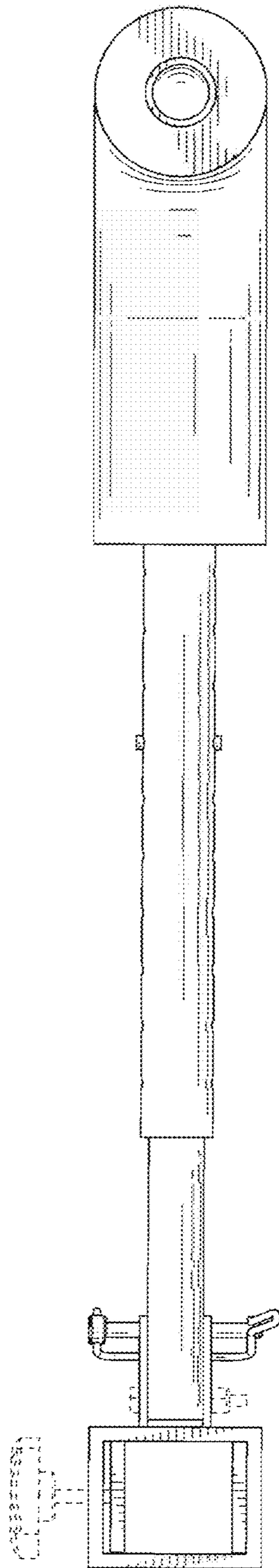


FIG. 2

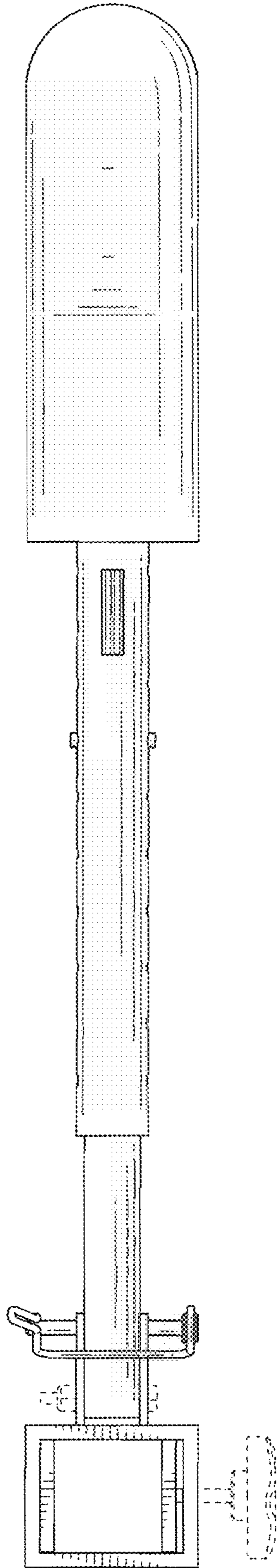


FIG. 3

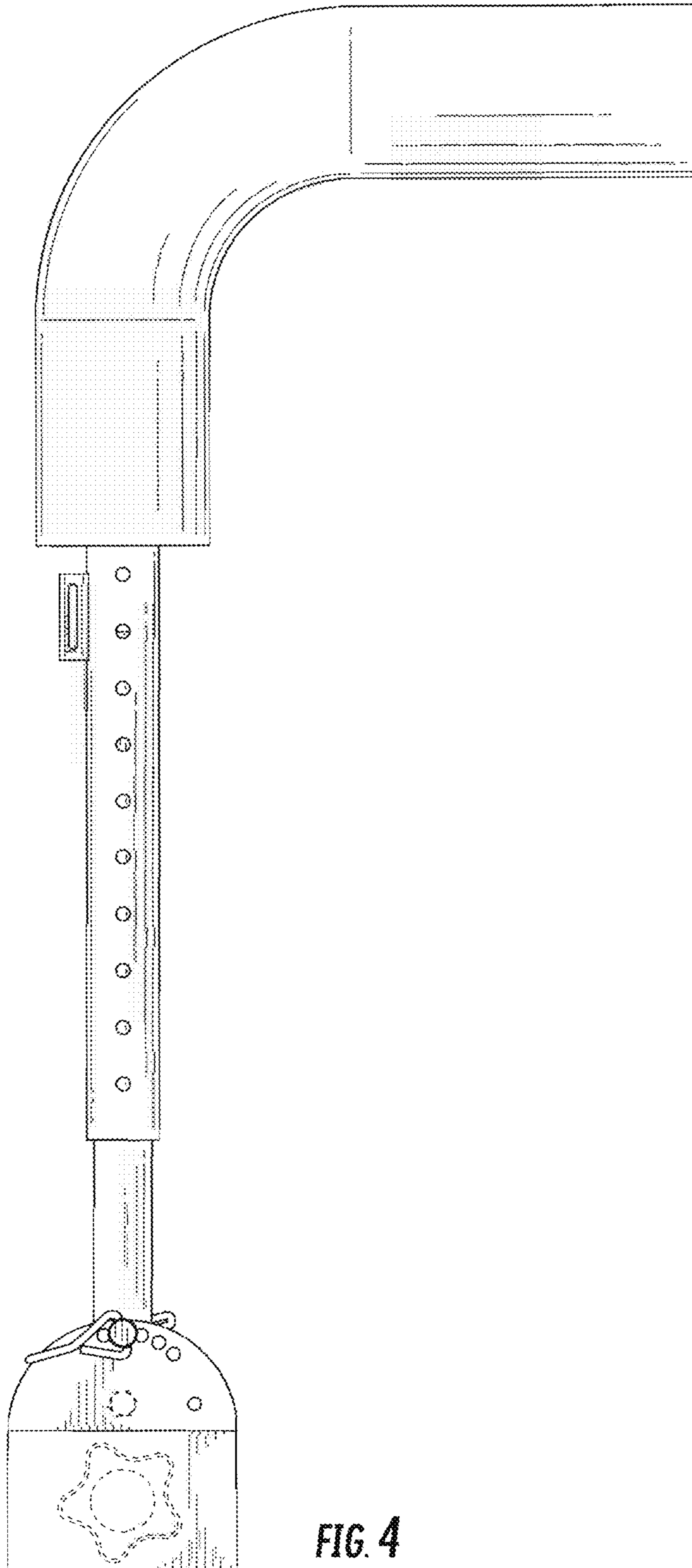


FIG. 4

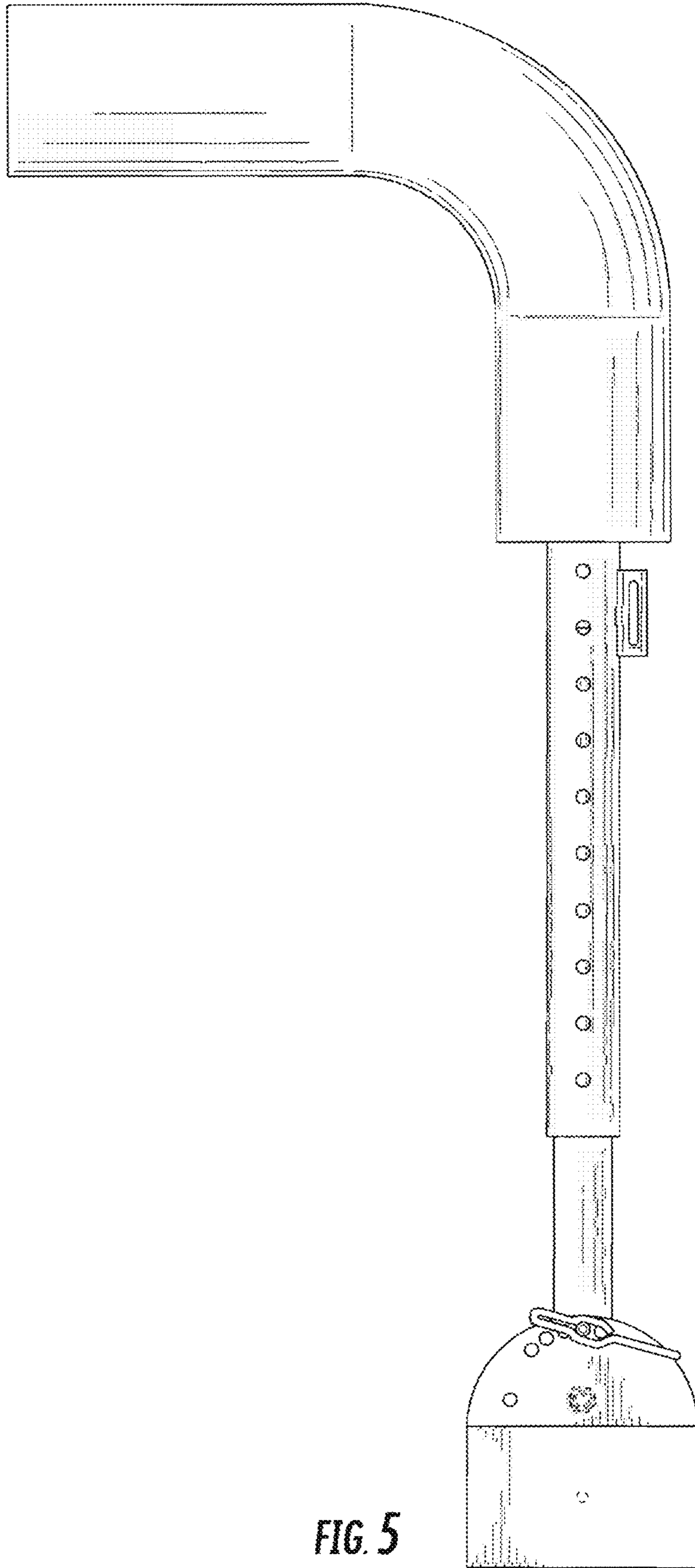


FIG. 5

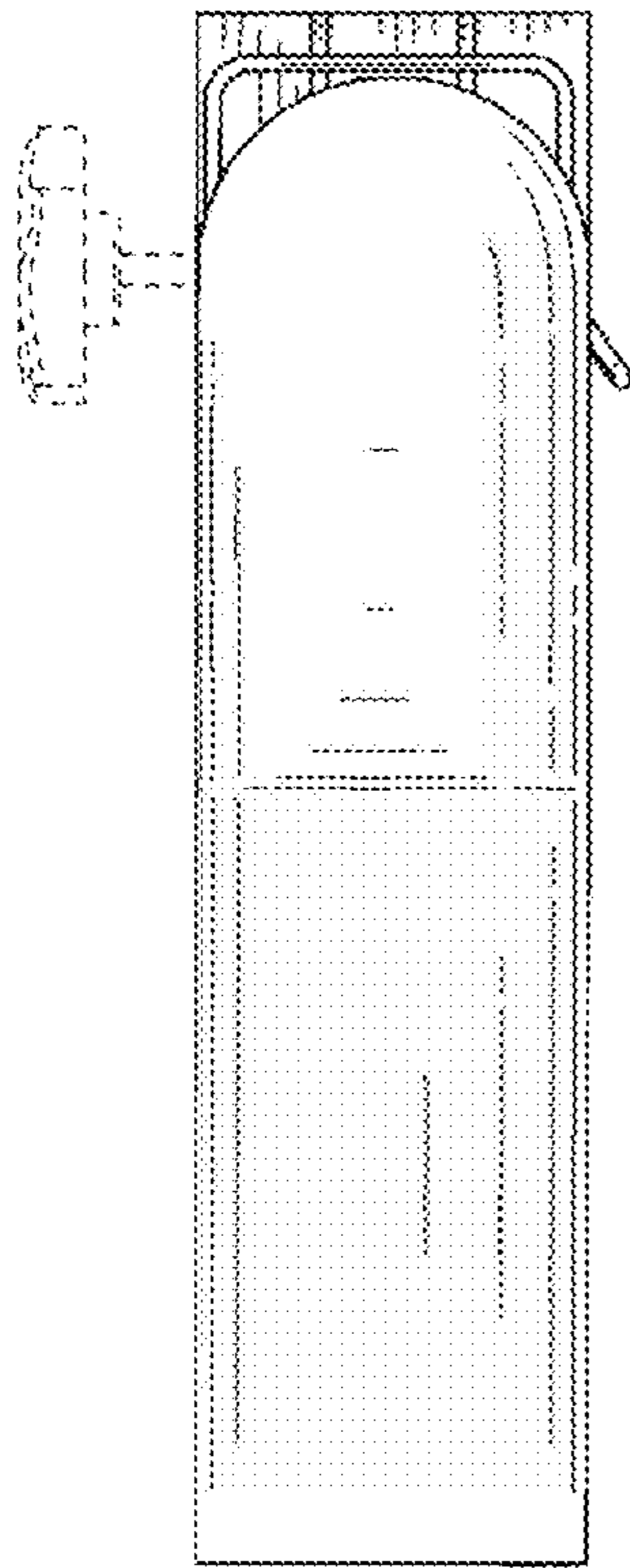


FIG. 6

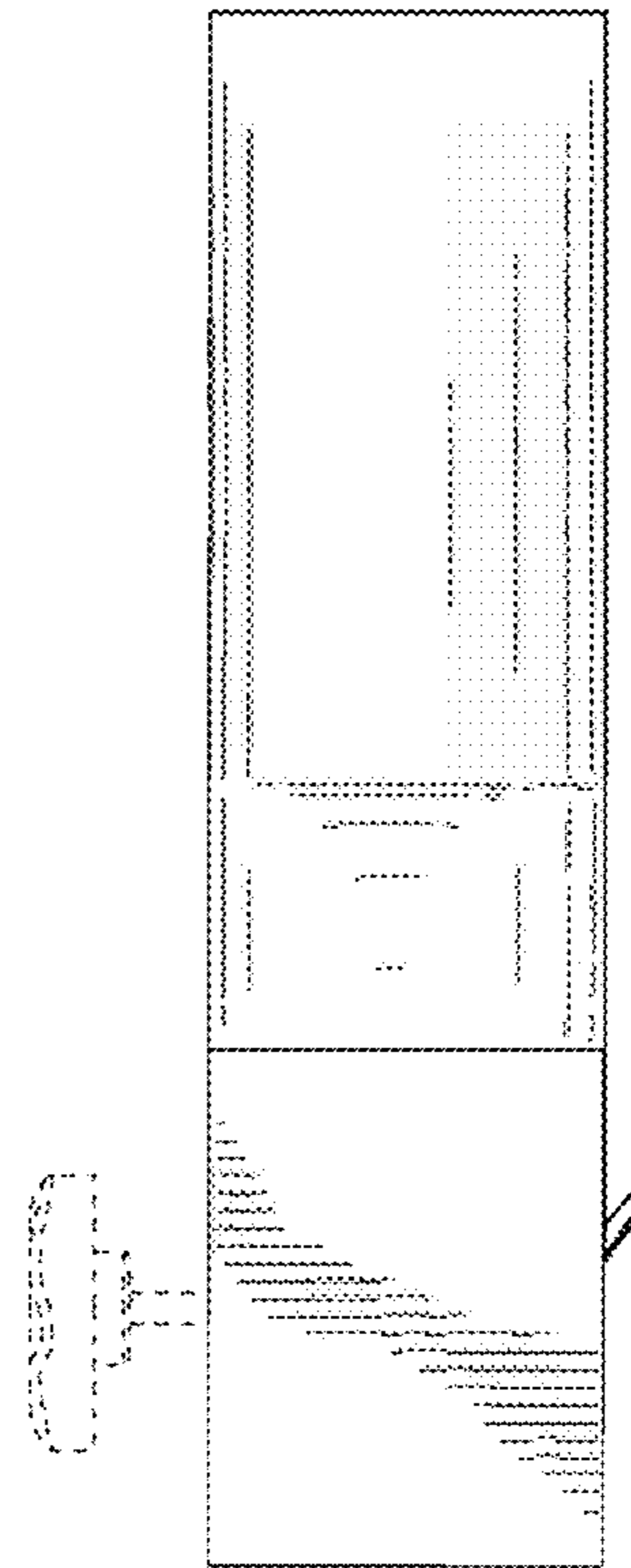


FIG. 7

