



US00D887102S

(12) **United States Design Patent**
Beasley et al.

(10) **Patent No.:** **US D887,102 S**
(45) **Date of Patent:** **** Jun. 9, 2020**

- (54) **CART**
- (71) Applicant: **Steelcase Inc.**, Grand Rapids, MI (US)
- (72) Inventors: **Charles Beasley**, Zeeland, MI (US);
Penghao Shan, Munich (DE); **John M. Allen**, Grand Rapids, MI (US); **Justin G. Beitzel**, Grand Rapids, MI (US);
Alban Moriniere, Munich (DE);
William Bennie, Rockford, MI (US)
- (73) Assignee: **Steelcase Inc.**, Grand Rapids, MI (US)
- (**) Term: **15 Years**
- (21) Appl. No.: **29/662,270**
- (22) Filed: **Sep. 4, 2018**
- (51) **LOC (12) Cl.** **12-02**
- (52) **U.S. Cl.**
USPC **D34/21**
- (58) **Field of Classification Search**
USPC D34/12-14, 16-18, 20-27; 280/641,
280/47.19, 47.24, 47.29, 79.11, 79.3,
280/47.34, 47.35, 638, 639, 651, 47.2;
108/59, 60, 90-92, 161
CPC B62B 1/12; B62B 1/20; B62B 5/0438
See application file for complete search history.

- D313,878 S 1/1991 Rinkewich
- D330,651 S 11/1992 Battaglia
- D333,895 S 3/1993 Niemeyer
- D344,746 S 3/1994 Yomo
- D352,585 S 11/1994 Binning
- D353,927 S 12/1994 Maddux
- D354,186 S 1/1995 Grosfillex
- D357,102 S 4/1995 Tate
- D361,188 S 8/1995 Perelli
- D361,422 S 8/1995 Coates
- D363,590 S 10/1995 Kazmerchek et al.
- D371,879 S 7/1996 Linder
- D381,168 S 7/1997 Delmerico et al.
- D391,031 S 2/1998 Egan et al.
- D399,625 S 10/1998 Murphy et al.
- D400,334 S 10/1998 Hawkins
- D400,676 S 11/1998 Good
- D405,580 S 2/1999 Vanderminden
- D409,019 S 5/1999 Crinion
- D410,578 S 6/1999 Tisbo et al.
- D411,045 S 6/1999 Morandi

(Continued)

Primary Examiner — Gino Colan

(74) *Attorney, Agent, or Firm* — Brinks Gilson & Lione

(57) **CLAIM**

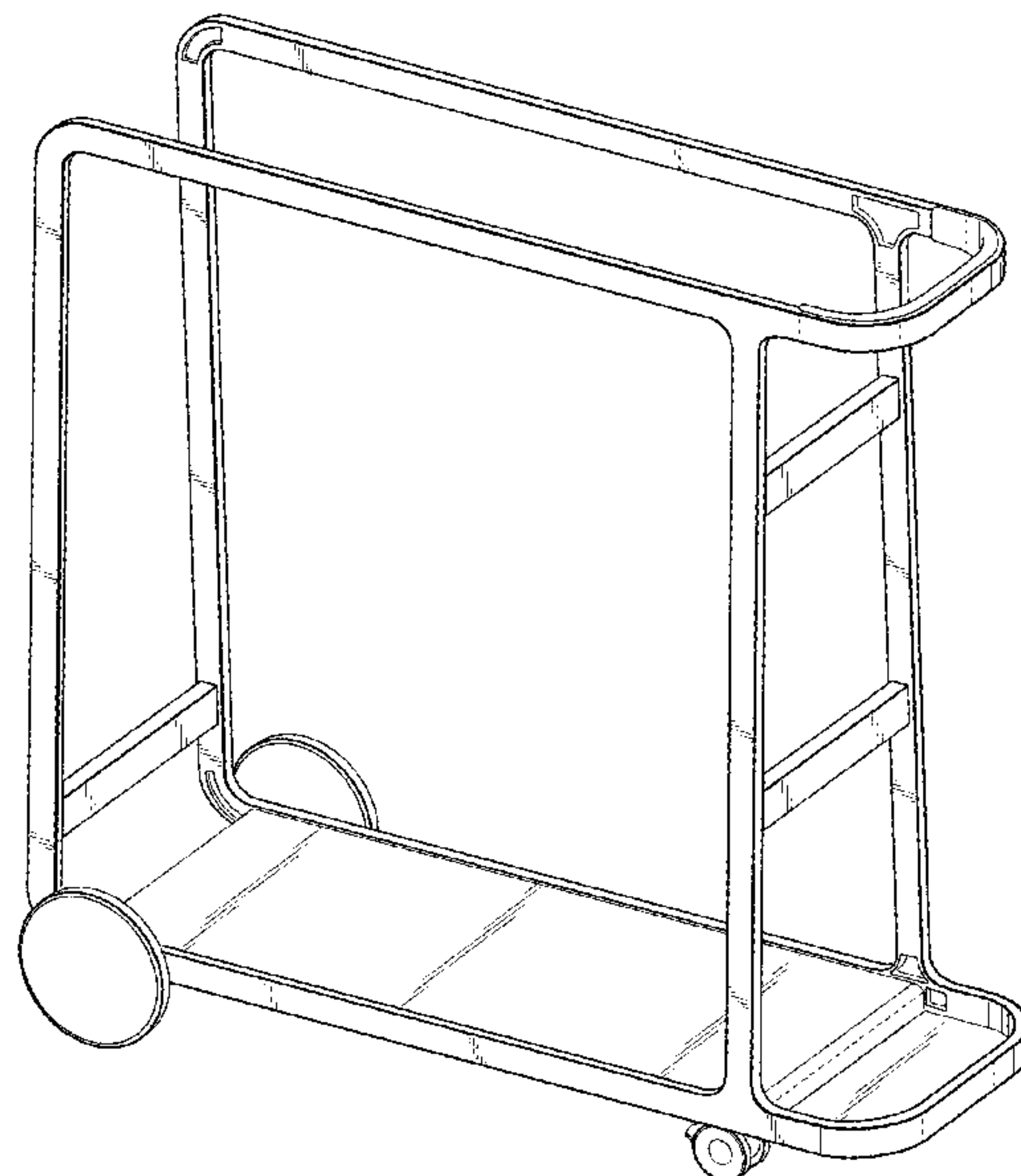
We claim the ornamental design for a cart, as shown and described.

DESCRIPTION

FIG. 1 is a top perspective view of a cart showing our new design;
FIG. 2 is a top plan view thereof;
FIG. 3 is a bottom plan view thereof;
FIG. 4 is a front elevation view thereof;
FIG. 5 is a rear elevation view thereof;
FIG. 6 is a left side elevation view thereof; and,
FIG. 7 is a right side elevation view thereof.
The broken lines in FIGS. 1-7 illustrate portions of the cart that form no part of the claimed design.

1 Claim, 6 Drawing Sheets

- (56) **References Cited**
U.S. PATENT DOCUMENTS
- 4,391,454 A * 7/1983 Marsh A47B 31/00
280/47.35
- 4,541,644 A * 9/1985 Diener B62B 1/14
280/47.2
- D285,853 S * 9/1986 Hubert D34/21
- 4,623,111 A 11/1986 Prader
- 4,723,743 A 2/1988 Jenkins et al.
- D302,062 S 7/1989 Sable
- D304,111 S 10/1989 Mehalick
- D311,802 S 10/1990 Getto



(56)

References Cited

U.S. PATENT DOCUMENTS

D411,903 S * 7/1999 Arvans D34/21
 D425,280 S 5/2000 vom Braucke
 6,213,483 B1 * 4/2001 Gaffney B62B 3/02
 280/47.35
 D445,229 S 7/2001 Stravitz et al.
 D447,888 S 9/2001 Chao
 D469,591 S 1/2003 Vanderminden
 D472,027 S 3/2003 Walter
 D478,199 S 8/2003 Presnell et al.
 D480,527 S 10/2003 Kollen
 D481,188 S 10/2003 DiGiacomo, Jr. et al.
 D485,410 S 1/2004 Van Landingham, Jr. et al.
 D486,618 S 2/2004 Crosco, Sr.
 D487,605 S 3/2004 Laverdière
 D492,076 S 6/2004 Kollen
 D497,232 S 10/2004 McDiarmid
 D504,000 S 4/2005 Underbrink et al.
 D523,202 S 6/2006 Willison
 D523,607 S 6/2006 Huguet
 D527,856 S 9/2006 Tropepe
 D530,876 S 10/2006 Wyse

D555,871 S * 11/2007 Pong D34/17
 D585,621 S 1/2009 Taillon
 D588,322 S 3/2009 Tilk et al.
 D589,671 S 3/2009 Rolim De Oliveira et al.
 D598,623 S 8/2009 Zang Wentz Pho et al.
 D608,071 S 1/2010 Presnell
 D616,551 S 5/2010 Fallon et al.
 D636,550 S 4/2011 Molayem
 D657,110 S 4/2012 Schlomann
 D678,641 S 3/2013 Es
 D683,168 S 5/2013 Abel et al.
 D697,684 S 1/2014 Tiilikainen
 D703,412 S 4/2014 Snider et al.
 D722,413 S 2/2015 Crow
 D747,837 S 1/2016 Chang
 D748,359 S 1/2016 Lustig et al.
 D750,861 S 3/2016 Alletto, Jr.
 D794,273 S 8/2017 Abel et al.
 D798,520 S 9/2017 Walter et al.
 D809,730 S 2/2018 Churchvara et al.
 D810,380 S 2/2018 Sommerfield et al.
 D814,735 S 4/2018 Rockwell et al.
 10,390,614 B1 * 8/2019 Olivier A47B 96/068

* cited by examiner

Fig. 1

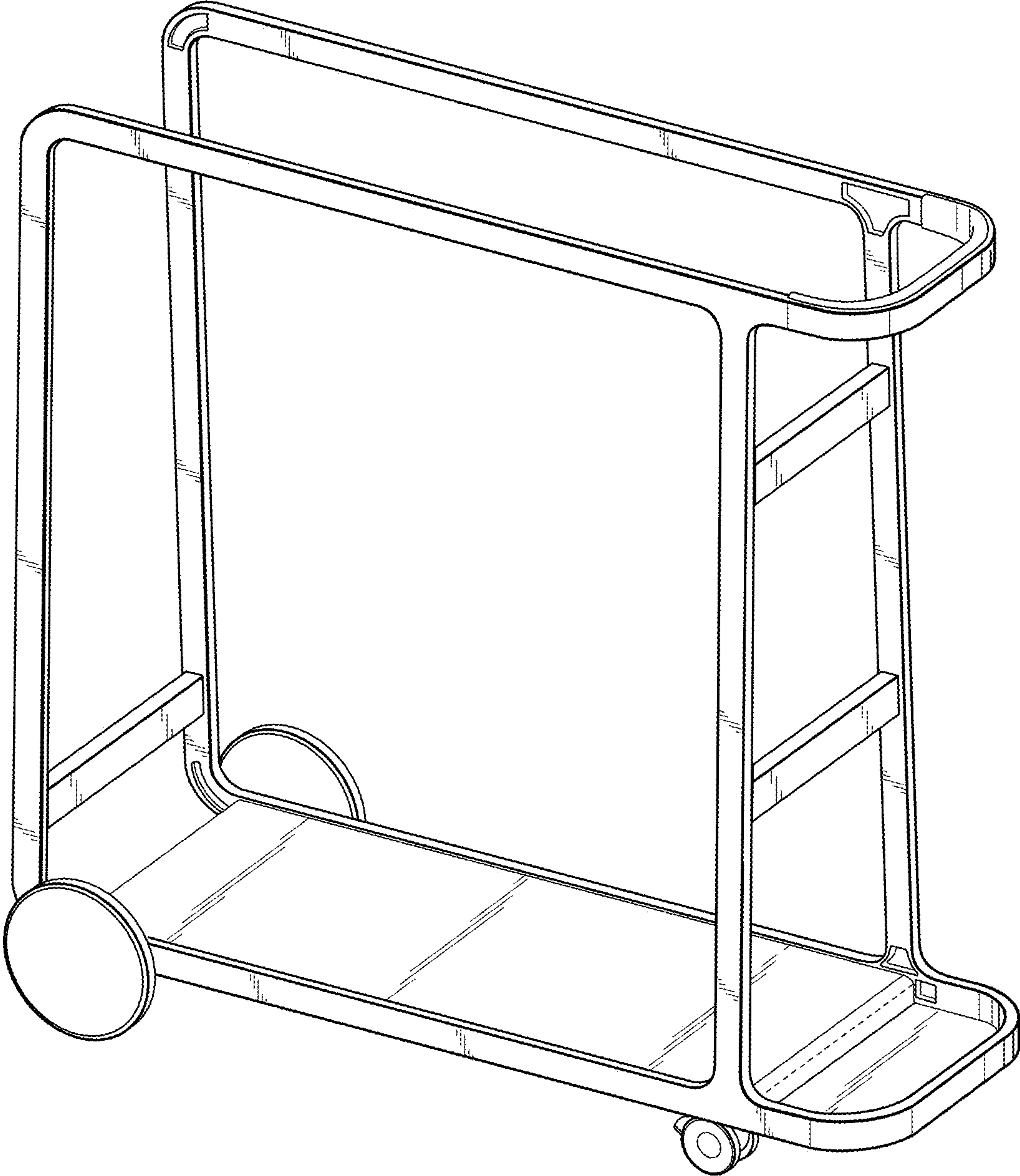


Fig. 2

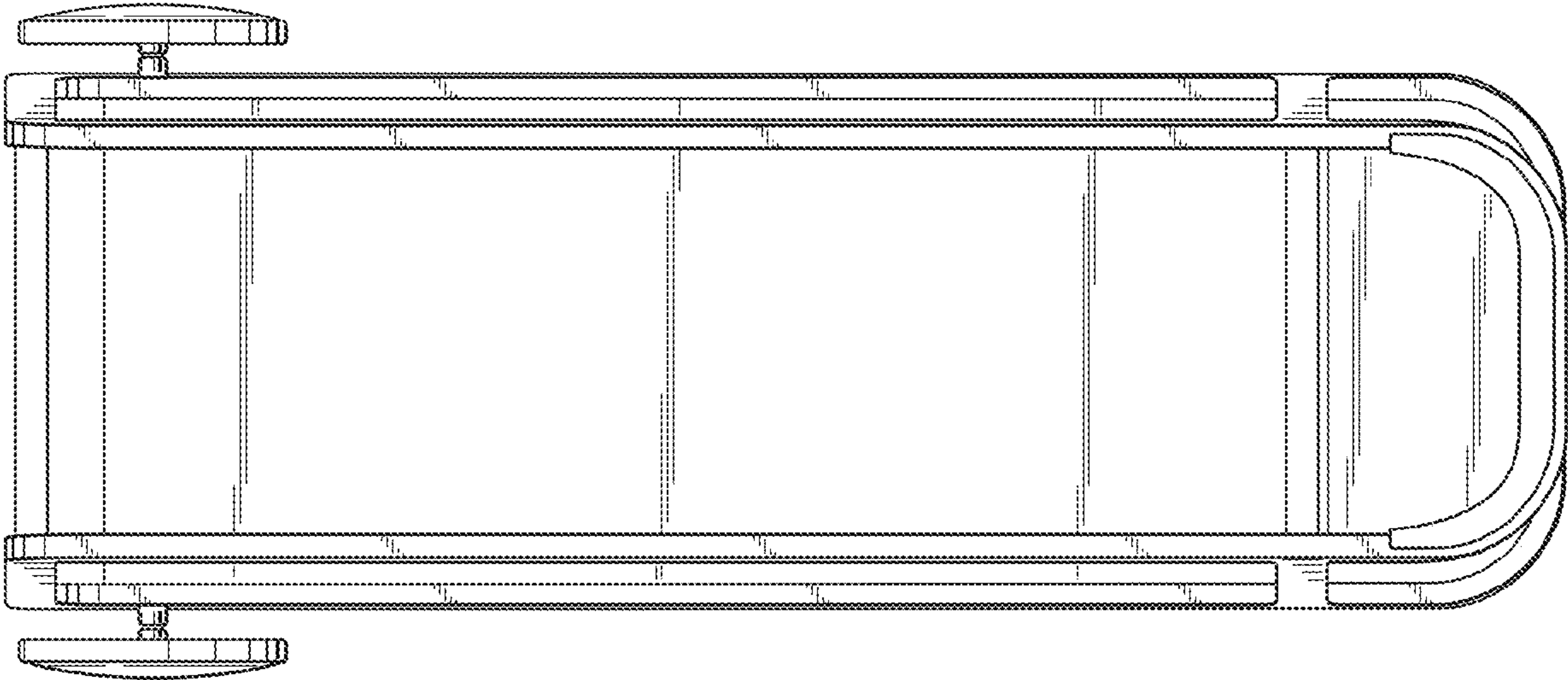


Fig. 3

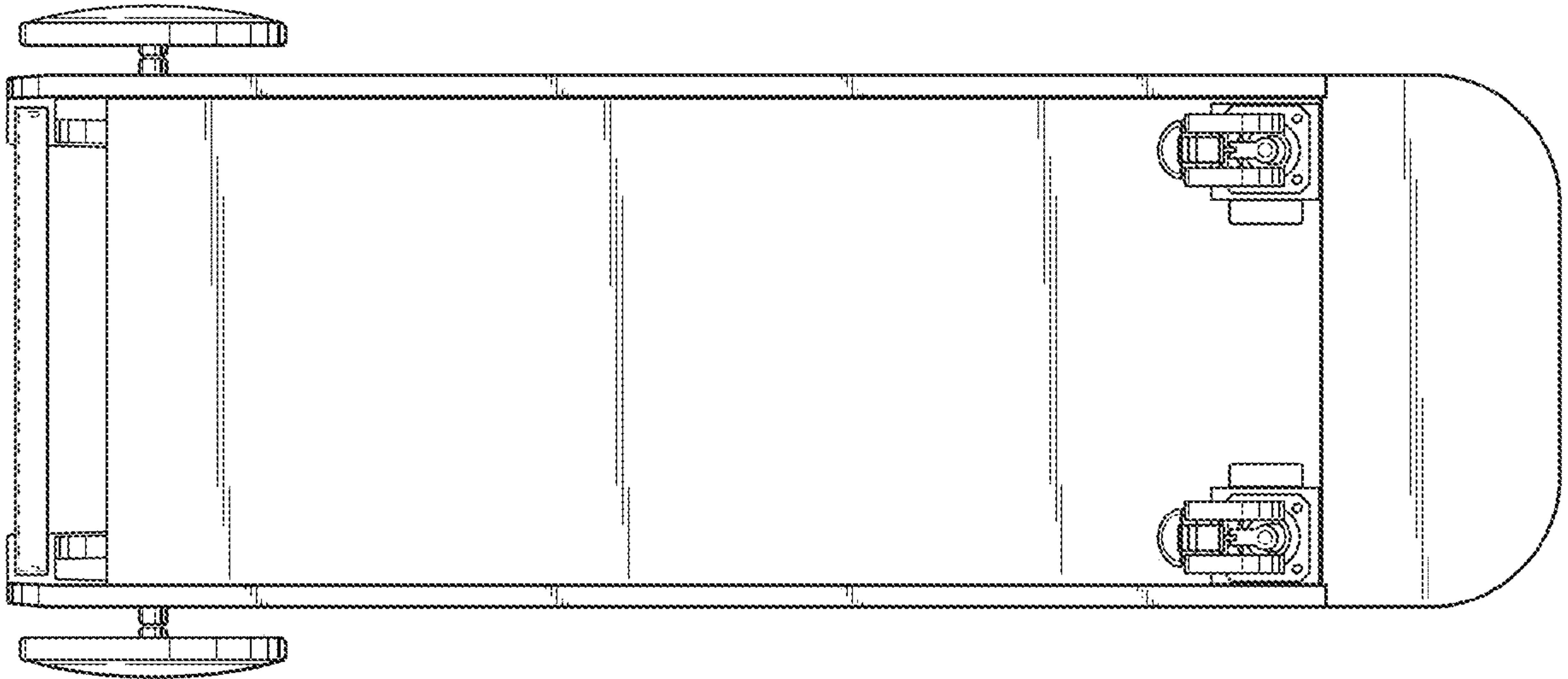


Fig. 4

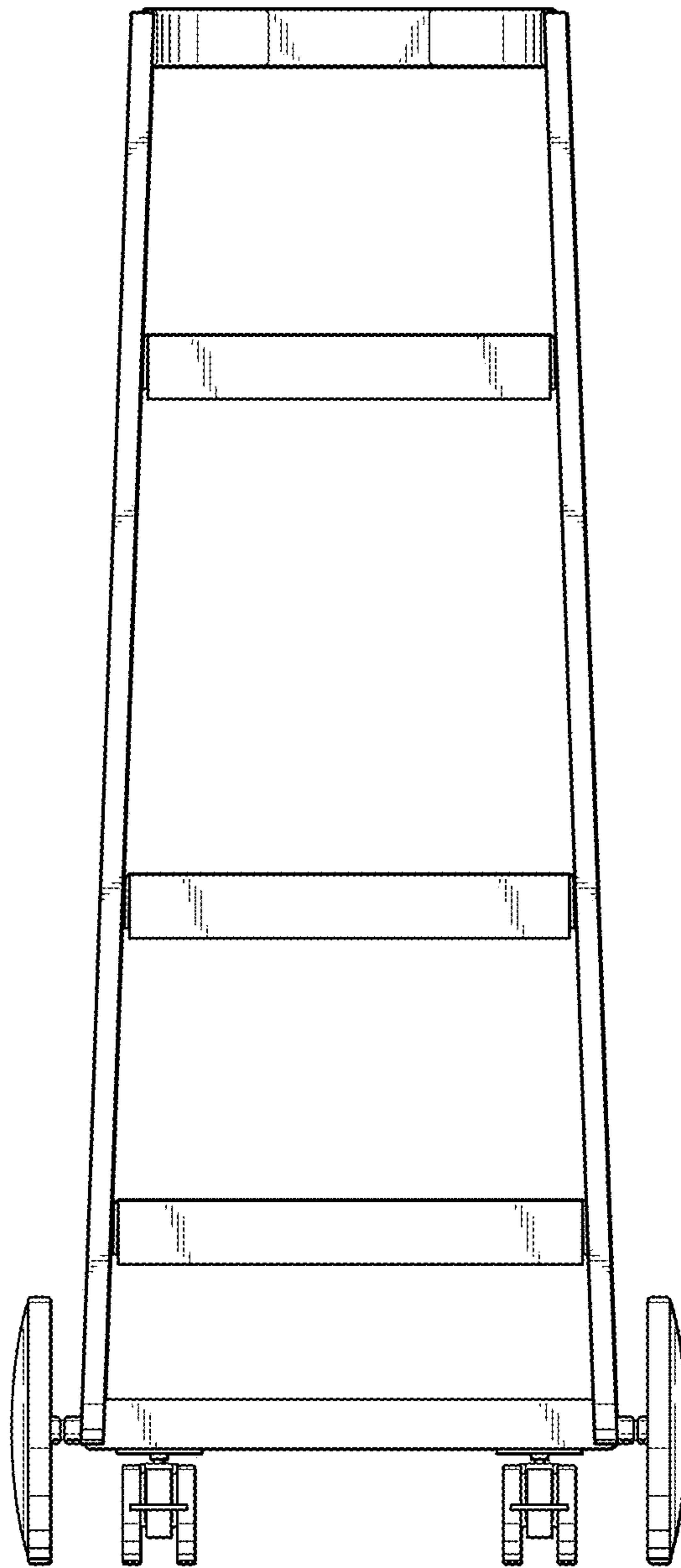


Fig. 5

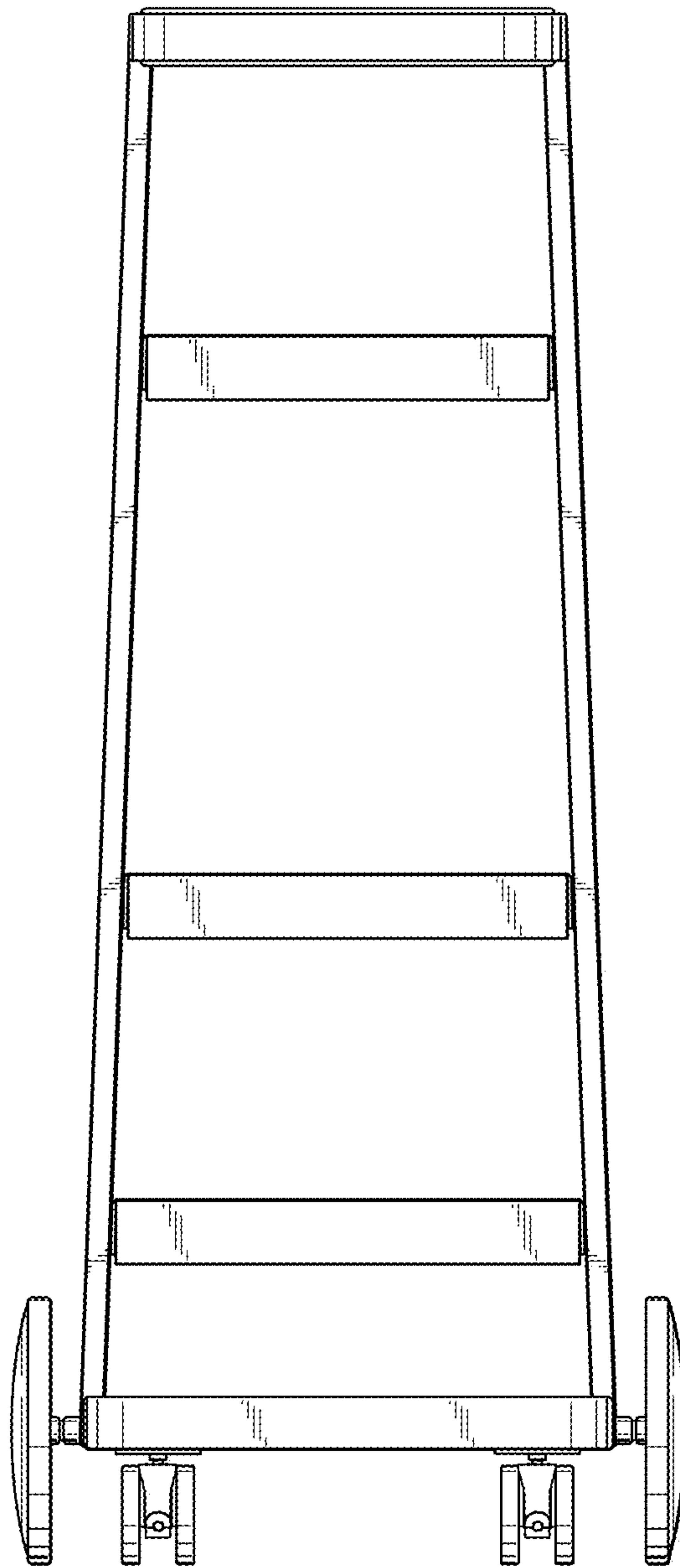


Fig. 6

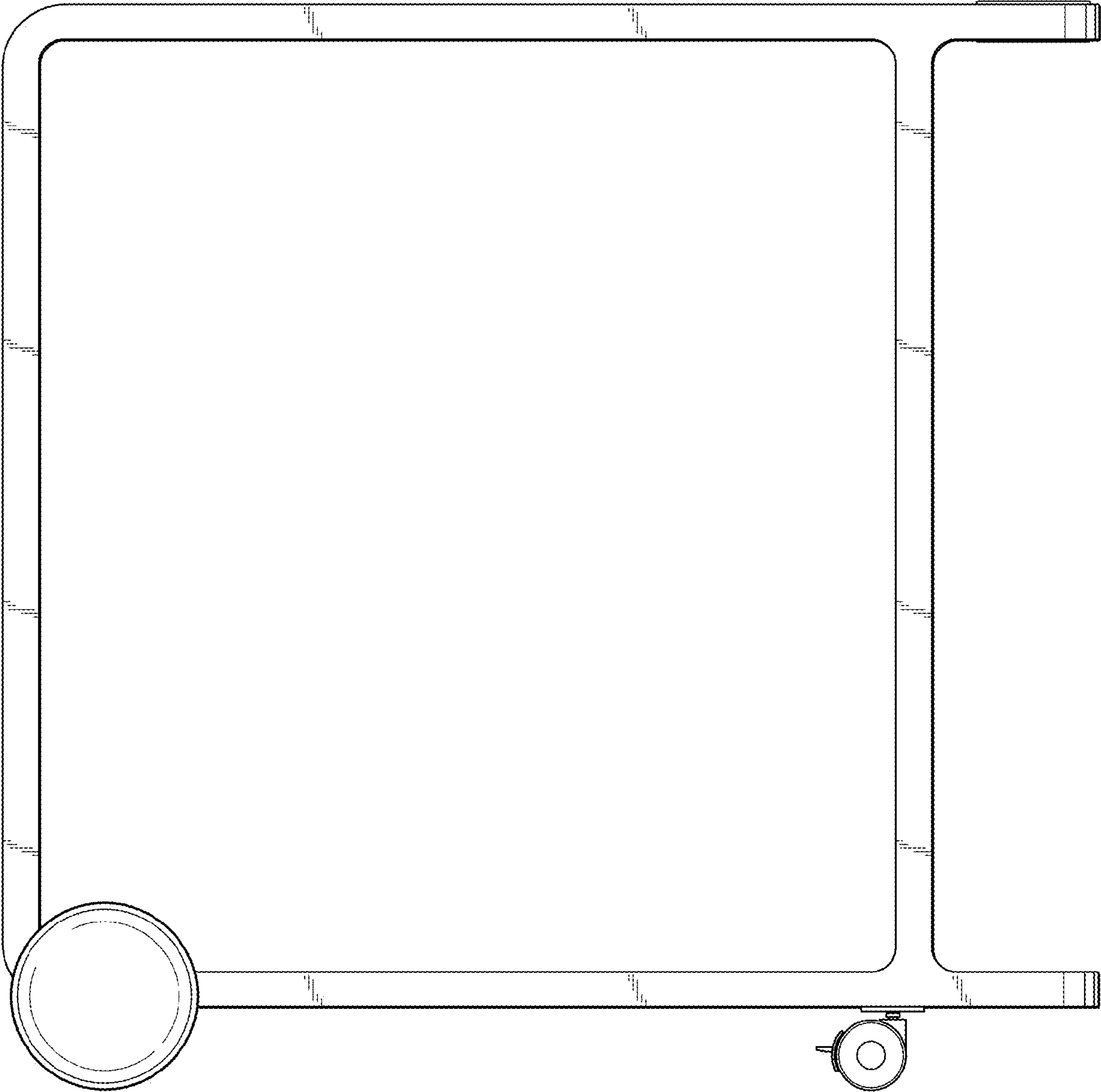


Fig. 7

