



US00D887101S

(12) **United States Design Patent** (10) **Patent No.:** **US D887,101 S**
Beasley et al. (45) **Date of Patent:** **** Jun. 9, 2020**

- (54) **CART**
- (71) Applicant: **Steelcase Inc.**, Grand Rapids, MI (US)
- (72) Inventors: **Charles Beasley**, Zeeland, MI (US); **Penghao Shan**, Munich (DE); **John M. Allen**, Grand Rapids, MI (US); **Justin G. Beitzel**, Grand Rapids, MI (US); **Alban Moriniere**, Munich (DE); **William Bennie**, Rockford, MI (US)
- (73) Assignee: **Steelcase Inc.**, Grand Rapids, MI (US)
- (**) Term: **15 Years**
- (21) Appl. No.: **29/662,268**
- (22) Filed: **Sep. 4, 2018**
- (51) **LOC (12) Cl.** **12-02**
- (52) **U.S. Cl.**
USPC **D34/21**
- (58) **Field of Classification Search**
USPC D34/12-14, 16-18, 20-27; 280/641, 280/47.19, 47.24, 47.29, 79.11, 79.3, 280/47.34, 47.35, 638, 639, 651, 47.2; 108/59, 60, 90-92, 161
CPC B62B 5/0438; B62B 1/12; B62B 1/20
See application file for complete search history.

- D345,839 S 4/1994 Senese
- D354,186 S 1/1995 Grosfillex
- D360,725 S 7/1995 Snell
- D361,188 S 8/1995 Perelli
- D361,419 S 8/1995 Snell
- D361,422 S 8/1995 Coates
- D363,590 S 10/1995 Kazmerchek et al.
- D371,879 S 7/1996 Linder
- D373,668 S 9/1996 Linder
- D377,127 S 1/1997 Barrington
- D381,168 S 7/1997 Delmerico et al.
- D391,031 S 2/1998 Egan et al.
- D399,625 S 10/1998 Murphy et al.
- D400,334 S 10/1998 Hawkins
- D400,676 S 11/1998 Good
- D405,580 S 2/1999 Vanderminden
- D409,019 S 5/1999 Crinion
- D410,578 S 6/1999 Tisbo et al.
- D411,045 S 6/1999 Morandi
- D411,903 S * 7/1999 Arvans D34/21
- D425,280 S 5/2000 vom Braucke et al.

(Continued)

Primary Examiner — Gino Colan
(74) Attorney, Agent, or Firm — Brinks Gilson & Lione

(57) **CLAIM**

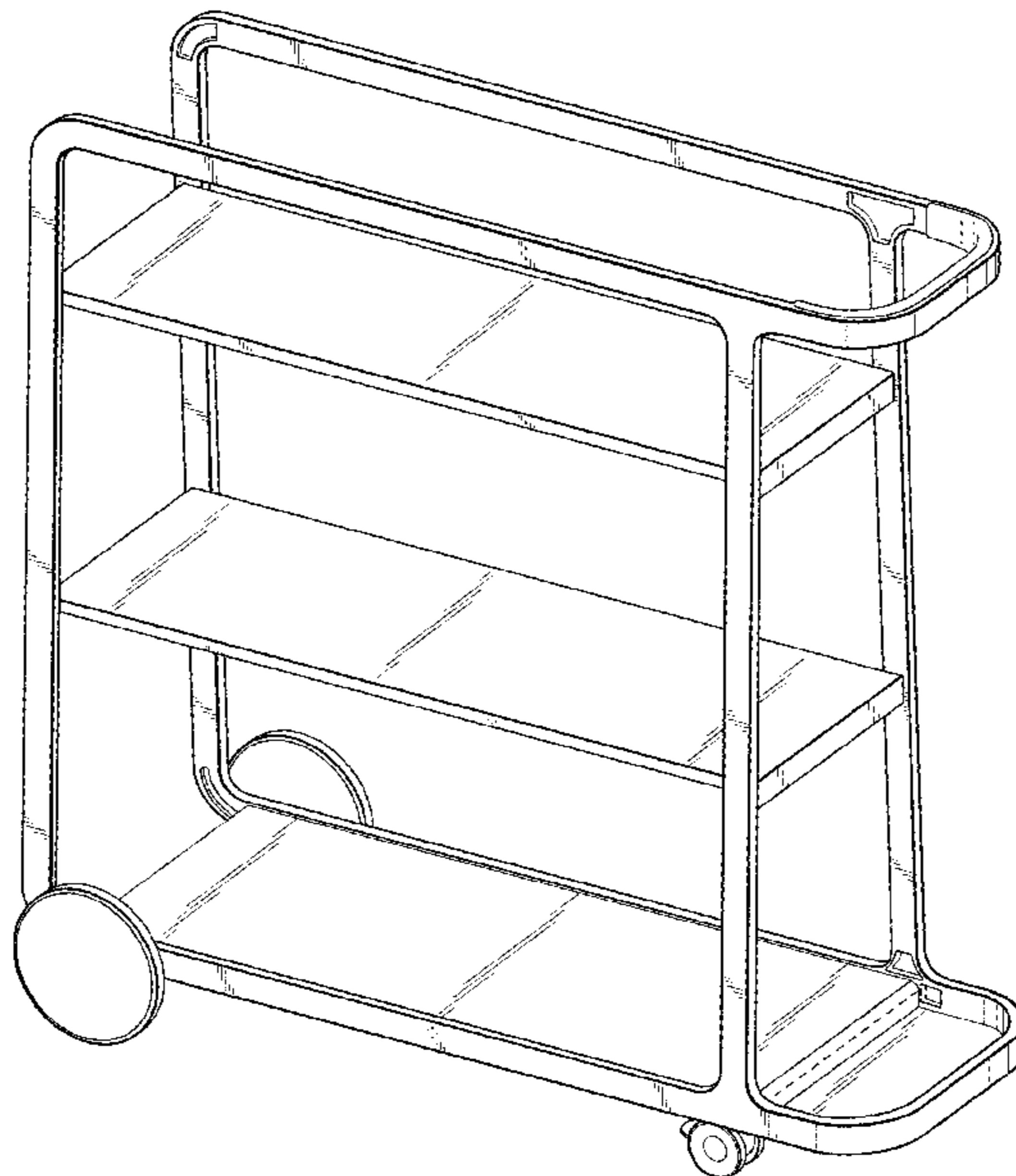
We claim the ornamental design for a cart, as shown and described.

DESCRIPTION

FIG. 1 is a top perspective view of a cart showing our new design;
FIG. 2 is a top plan view thereof;
FIG. 3 is a bottom plan view thereof;
FIG. 4 is a front elevation view thereof;
FIG. 5 is a rear elevation view thereof;
FIG. 6 is a left side elevation view thereof; and,
FIG. 7 is a right side elevation view thereof.
The broken lines in the figures illustrate portions of the cart that form no part of the claimed design.

1 Claim, 6 Drawing Sheets

- (56) **References Cited**
U.S. PATENT DOCUMENTS
4,391,454 A * 7/1983 Marsh A47B 31/00
280/47.35
4,541,644 A * 9/1985 Diener B62B 1/14
280/47.2
D285,853 S * 9/1986 Hubert D34/21
D311,802 S 10/1990 Getto
D313,878 S 1/1991 Rinkewich
5,016,948 A 5/1991 Welch et al.
D330,651 S 11/1992 Battaglia



(56)

References Cited

U.S. PATENT DOCUMENTS

6,213,483 B1 *	4/2001	Gaffney	B62B 3/02 280/47.35	D554,323 S	10/2007	Roth	
D445,984 S	7/2001	Dickinson et al.		D555,871 S *	11/2007	Pong	D34/17
D446,376 S	8/2001	Vanderbyl		D585,621 S	1/2009	Taillon	
D469,591 S	1/2003	Vanderminden		D588,322 S	3/2009	Tilk et al.	
D472,027 S	3/2003	Walter		D598,623 S	8/2009	Zang Wentz Pho et al.	
D478,199 S	8/2003	Presnell et al.		D608,071 S	1/2010	Presnell	
D480,527 S	10/2003	Kollen		D608,970 S	1/2010	Cordeiro	
D481,188 S	10/2003	DiGiacomo, Jr. et al.		D616,551 S	5/2010	Fallon et al.	
D485,410 S	1/2004	Van Landingham, Jr. et al.		D618,419 S	6/2010	Catron et al.	
D486,618 S	2/2004	Crosco, Sr.		D636,550 S	4/2011	Molayem	
D487,605 S	3/2004	Laverdière		D657,110 S	4/2012	Schlomann	
D492,076 S	6/2004	Kollen		D678,641 S	3/2013	Van Es	
D497,232 S	10/2004	McDiarmid		D703,412 S	4/2014	Snider et al.	
D504,000 S	4/2005	Underbrink et al.		D722,413 S	2/2015	Crow	
D510,168 S	9/2005	Lovegrove et al.		D747,837 S	1/2016	Chang	
D523,202 S	6/2006	Willison		D748,359 S	1/2016	Lustig et al.	
D523,607 S	6/2006	Huguet		D750,861 S	3/2016	Alletto, Jr.	
D527,856 S	9/2006	Tropepe		D798,520 S	9/2017	Walter et al.	
				D809,730 S	2/2018	Churchvara et al.	
				D810,380 S	2/2018	Sommerfield et al.	
				D814,735 S	4/2018	Rockwell et al.	
				10,390,614 B1 *	8/2019	Olivier	A47B 96/068

* cited by examiner

Fig. 1

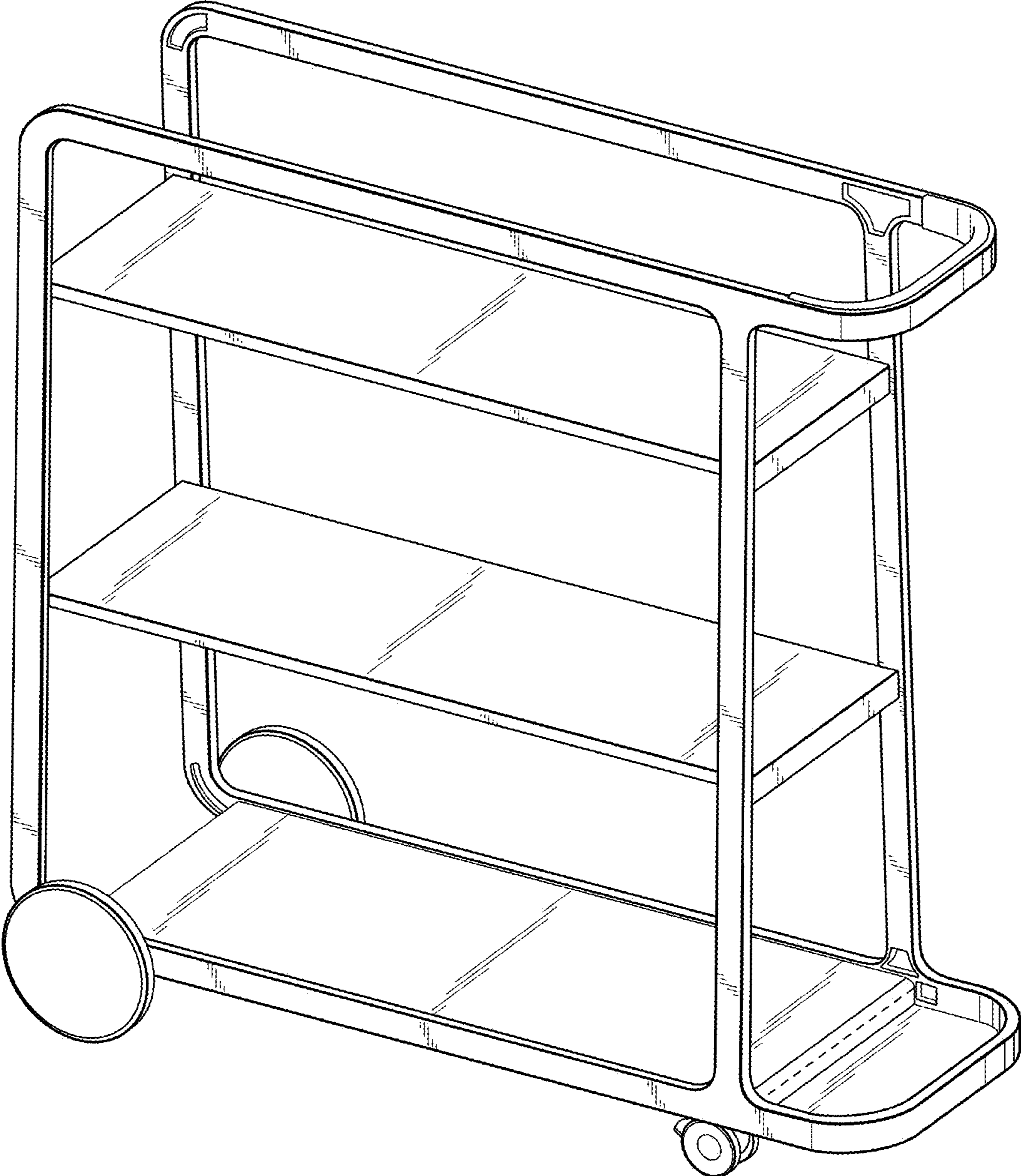


Fig. 2

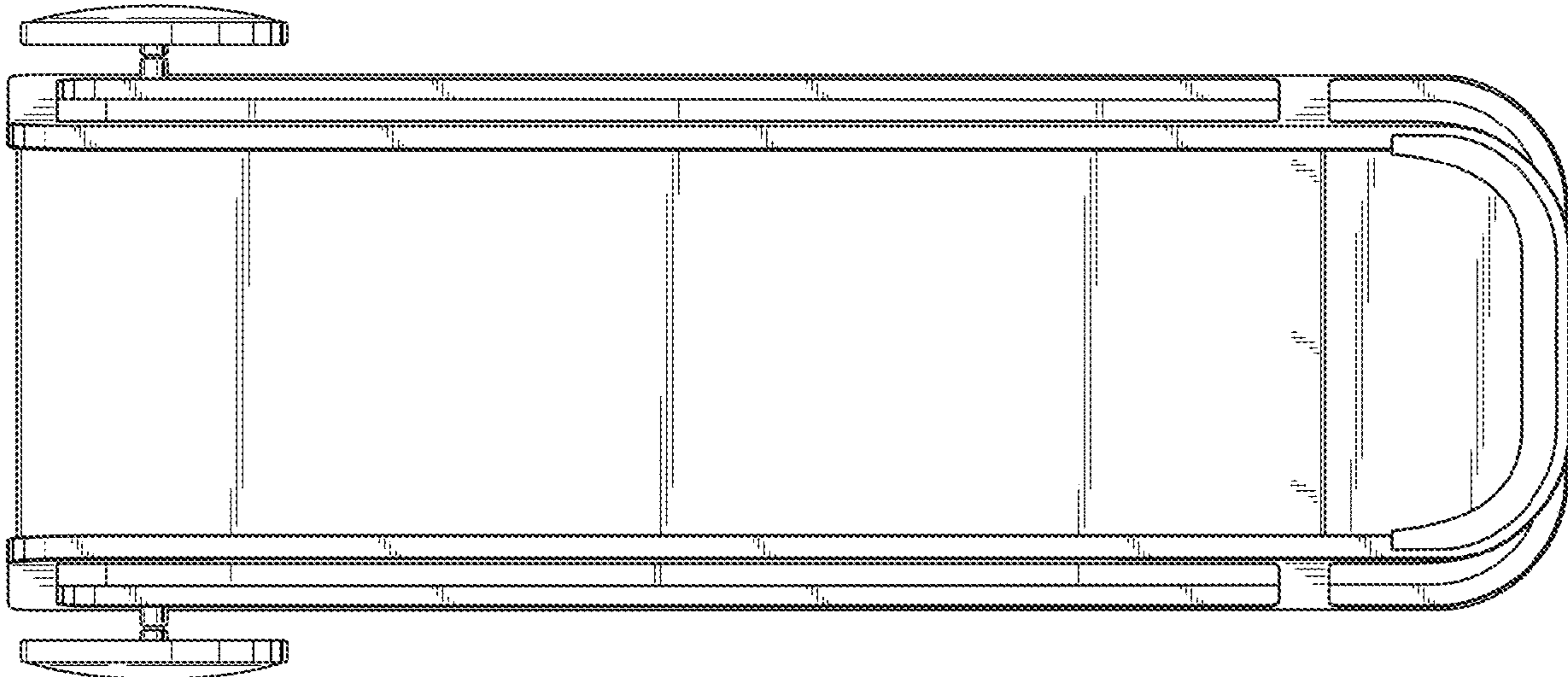


Fig. 3

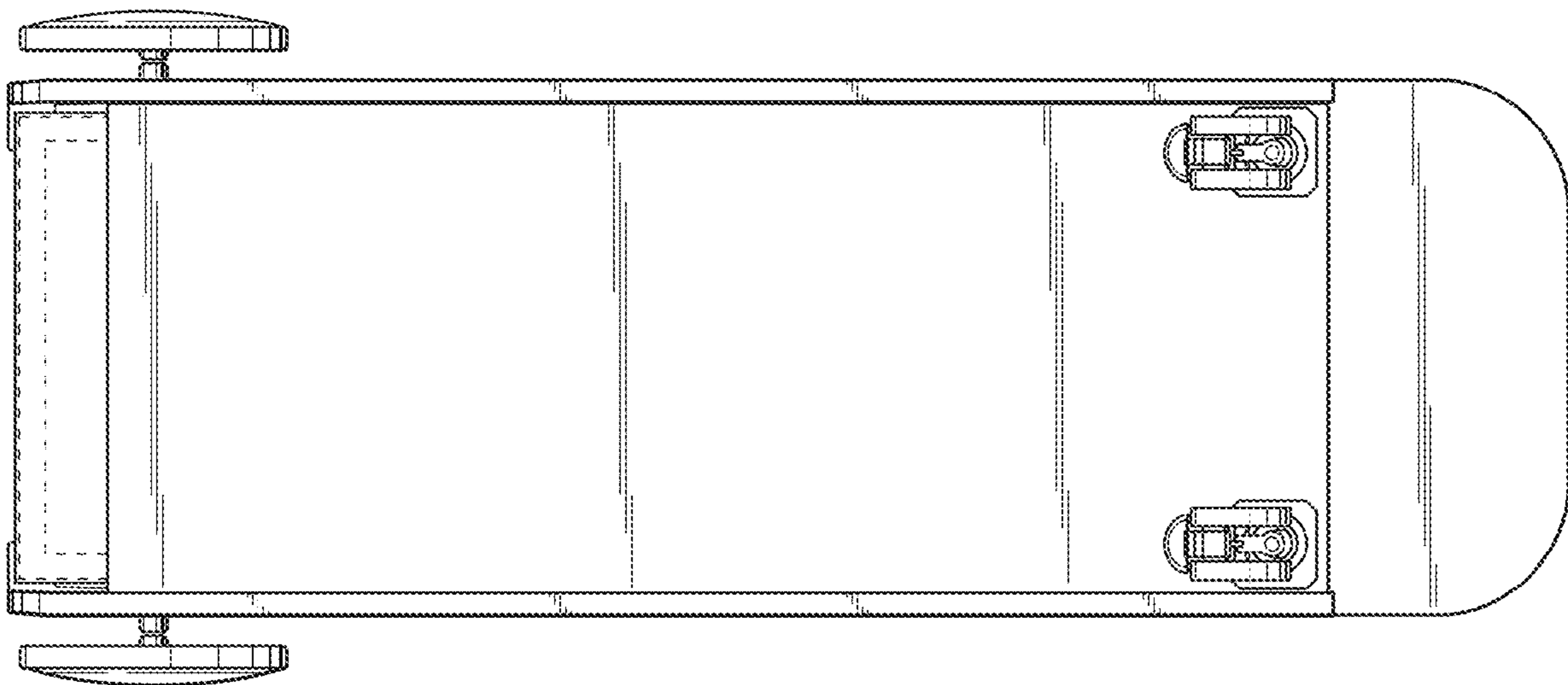


Fig. 4

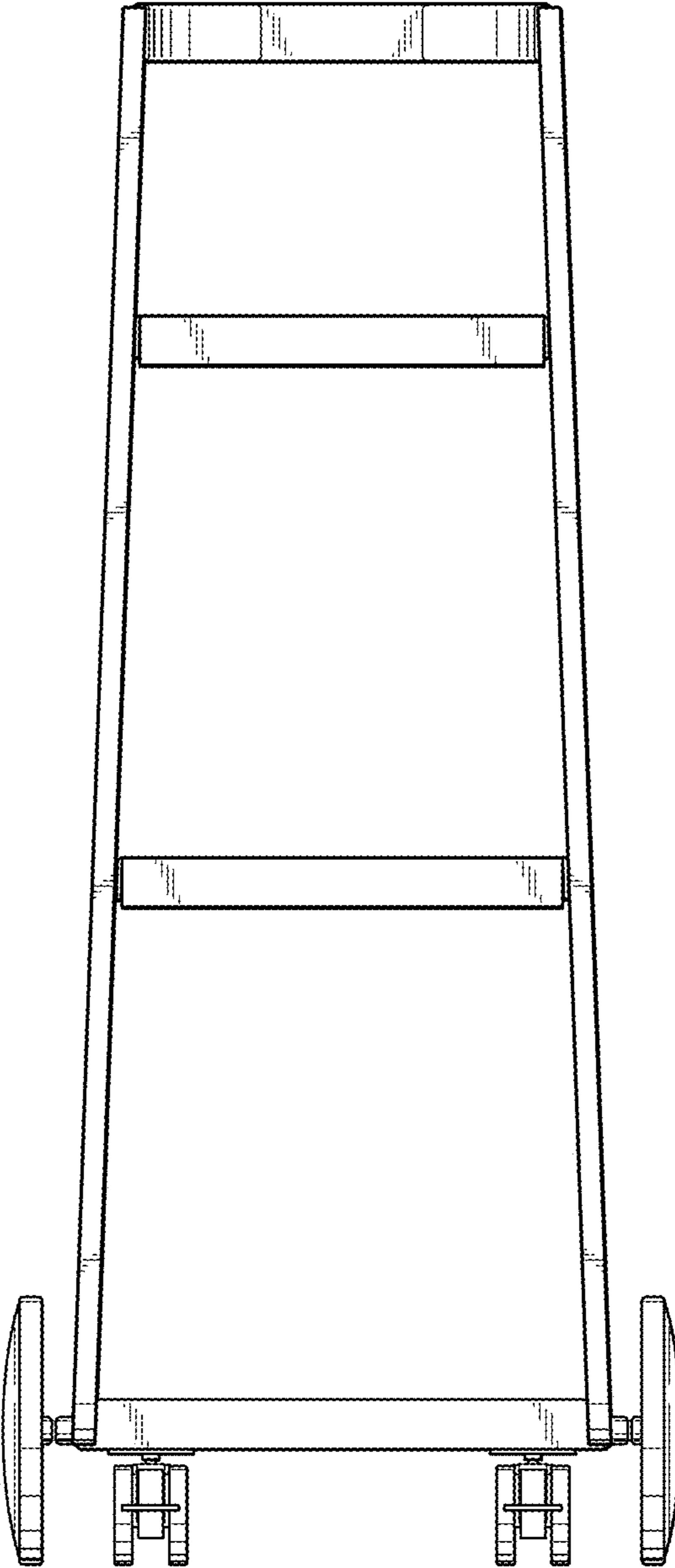


Fig. 5

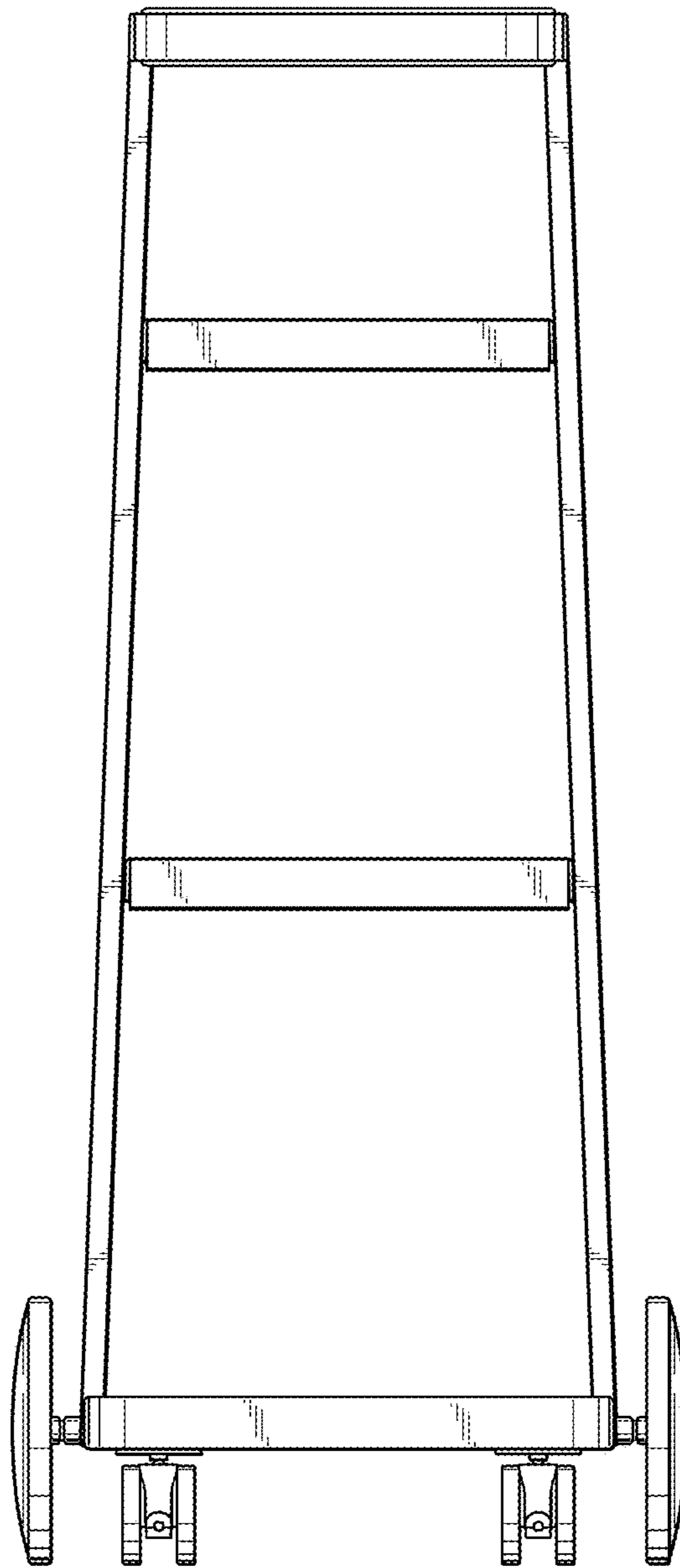


Fig. 6

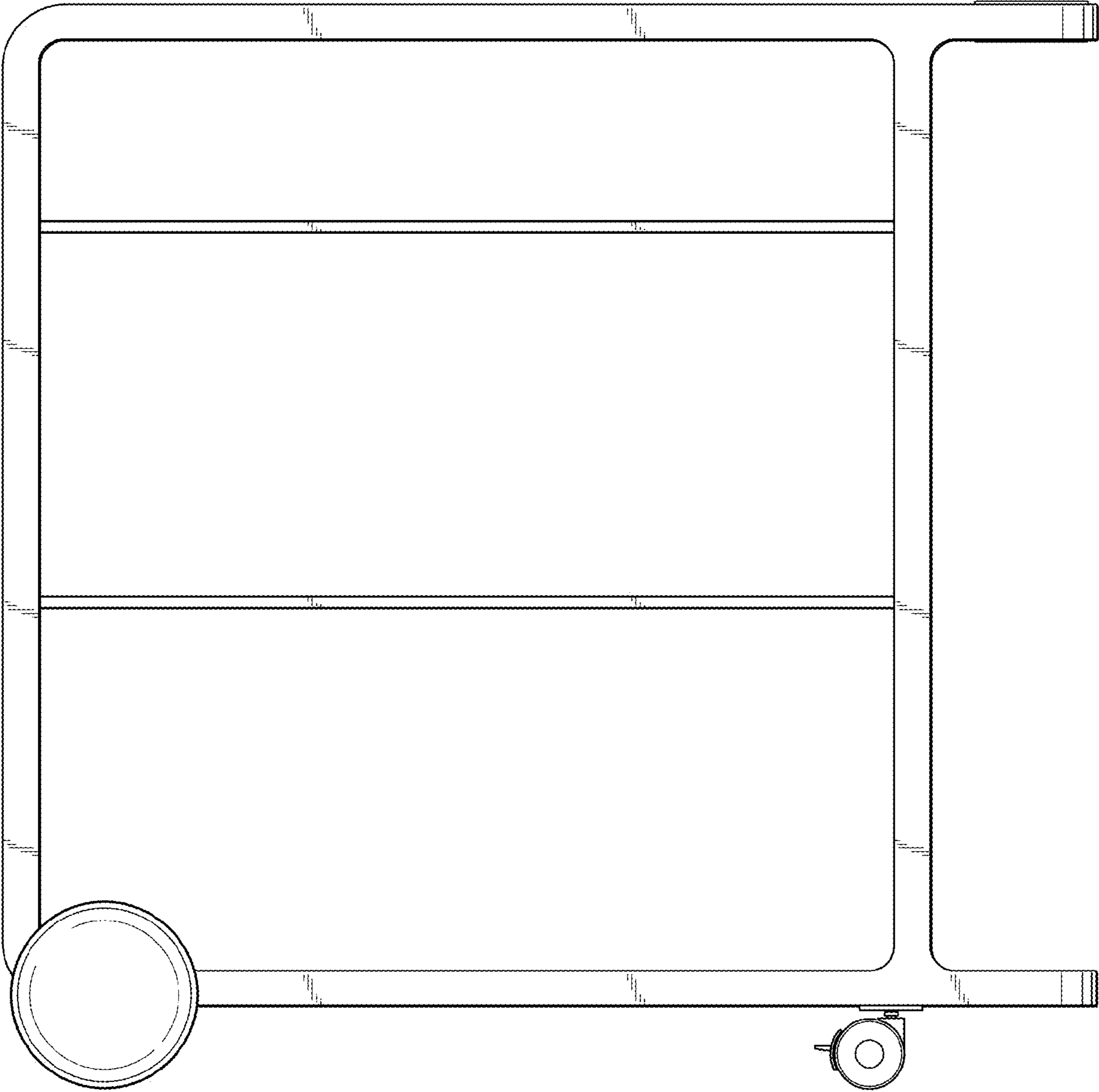


Fig. 7

