



US00D887100S

(12) **United States Design Patent**
Beasley et al.

(10) **Patent No.:** **US D887,100 S**
(45) **Date of Patent:** **** Jun. 9, 2020**

- (54) **CART**
- (71) Applicant: **Steelcase Inc.**, Grand Rapids, MI (US)
- (72) Inventors: **Charles Beasley**, Zeeland, MI (US);
Penghao Shan, Munich (DE); **John M. Allen**, Grand Rapids, MI (US); **Justin G. Beitzel**, Grand Rapids, MI (US);
Alban Moriniere, Munich (DE);
William Bennie, Rockford, MI (US)
- (73) Assignee: **Steelcase Inc.**, Grand Rapids, MI (US)
- (**) Term: **15 Years**
- (21) Appl. No.: **29/662,260**
- (22) Filed: **Sep. 4, 2018**
- (51) **LOC (12) Cl.** **12-02**
- (52) **U.S. Cl.**
USPC **D34/21**
- (58) **Field of Classification Search**
USPC D34/12-14, 16-18, 20-27; 280/641,
280/47.19, 47.24, 47.29, 79.11, 79.3,
280/47.34, 47.35, 638, 639, 651; 108/59,
108/60, 90-92, 161
CPC B62B 5/0438; B62B 1/12; B62B 1/20
See application file for complete search history.

- D313,878 S 1/1991 Rinkewich
- D330,651 S 11/1992 Battaglia
- D333,895 S 3/1993 Niemeyer
- D344,746 S 3/1994 Yomo
- D352,585 S 11/1994 Binning
- D353,927 S 12/1994 Maddux
- D354,186 S 1/1995 Grosfillex
- D357,102 S 4/1995 Tate
- D361,188 S 8/1995 Perelli
- D361,422 S 8/1995 Coates
- D363,590 S 10/1995 Kazmerchek et al.
- D371,879 S 7/1996 Linder
- D381,168 S 7/1997 Delmerico et al.
- D391,031 S 2/1998 Egan et al.
- D399,625 S 10/1998 Murphy et al.
- D400,334 S 10/1998 Hawkins
- D400,676 S 11/1998 Good
- D405,580 S 2/1999 Vanderminden

(Continued)

Primary Examiner — Gino Colan

(74) *Attorney, Agent, or Firm* — Brinks Gilson & Lione

(57) **CLAIM**

We claim the ornamental design for a cart, as shown and described.

DESCRIPTION

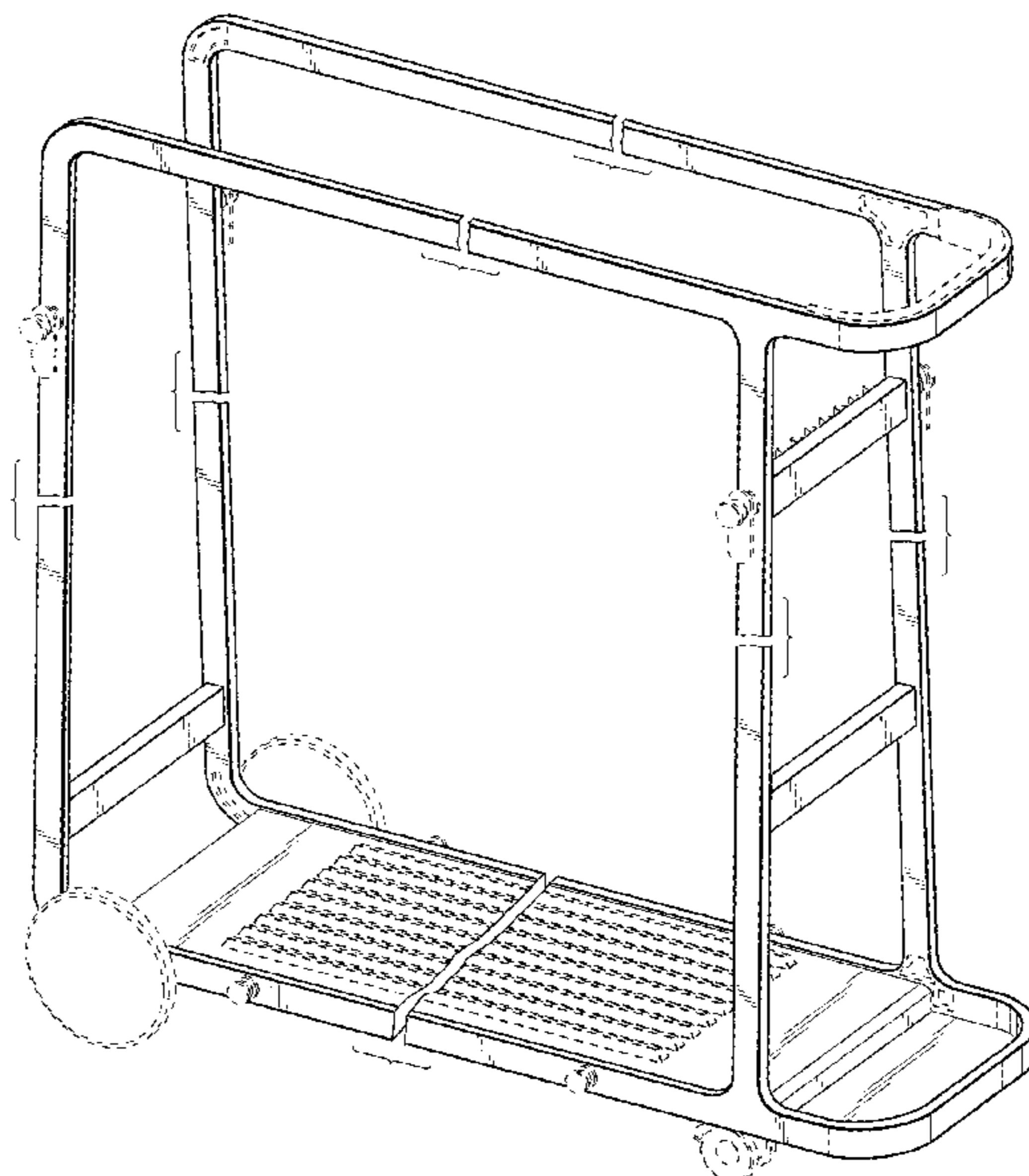
FIG. 1 is a top perspective view of a cart showing our new design;
 FIG. 2 is a top plan view thereof;
 FIG. 3 is a bottom plan view thereof;
 FIG. 4 is a front elevation view thereof;
 FIG. 5 is a rear elevation view thereof;
 FIG. 6 is a left side elevation view thereof; and,
 FIG. 7 is a right side elevation view thereof.
 The broken lines in FIGS. 1-7 illustrate environmental features that form no part of the claimed design. The cart is shown with symbolic breaks. The appearance of any portions of the cart between the break lines forms no part of the claimed design.

1 Claim, 6 Drawing Sheets

(56) **References Cited**

U.S. PATENT DOCUMENTS

- 4,391,454 A * 7/1983 Marsh A47B 31/00
280/47.35
- 4,541,644 A * 9/1985 Diener B62B 1/14
280/47.2
- D285,853 S * 9/1986 Hubert D34/21
- 4,623,111 A 11/1986 Prader
- 4,723,743 A 2/1988 Jenkins et al.
- D302,062 S 7/1989 Sable
- D304,111 S 10/1989 Mehalick
- D311,802 S 10/1990 Getto



(56)

References Cited

U.S. PATENT DOCUMENTS

D409,019 S 5/1999 Crinion
 D410,578 S 6/1999 Tisbo et al.
 D411,045 S 6/1999 Morandi
 D411,903 S * 7/1999 Arvans D34/21
 D425,280 S 5/2000 vom Braucke
 6,213,483 B1 * 4/2001 Gaffney B62B 3/02
 280/651
 D445,229 S 7/2001 Stravitz et al.
 D447,888 S 9/2001 Chao
 D469,591 S 1/2003 Vanderminden
 D472,027 S 3/2003 Walter
 D478,199 S 8/2003 Presnell et al.
 D480,527 S 10/2003 Kollen
 D481,188 S 10/2003 DiGiacomo, Jr. et al.
 D485,410 S 1/2004 Van Lanningham, Jr. et al.
 D486,618 S 2/2004 Crosco, Sr.
 D487,605 S 3/2004 Laverdière
 D492,076 S 6/2004 Kollen
 D497,232 S 10/2004 McDiarmid
 D504,000 S 4/2005 Underbrink et al.
 D523,202 S 6/2006 Willison
 D523,607 S 6/2006 Huguet

D527,856 S 9/2006 Tropepe
 D530,876 S 10/2006 Wyse
 D555,871 S * 11/2007 Pong D34/17
 D585,621 S 1/2009 Taillon
 D588,322 S 3/2009 Tilk et al.
 D589,671 S 3/2009 Rolim De Oliveira et al.
 D598,623 S 8/2009 Zang Wentz Pho et al.
 D608,071 S 1/2010 Presnell
 D616,551 S 5/2010 Fallon et al.
 D636,550 S 4/2011 Molayem
 D657,110 S 4/2012 Schlomann
 D678,641 S 3/2013 Es
 D683,168 S 5/2013 Abel et al.
 D697,684 S 1/2014 Tiilikainen
 D703,412 S 4/2014 Snider et al.
 D722,413 S 2/2015 Crow
 D747,837 S 1/2016 Chang
 D748,359 S 1/2016 Lustig et al.
 D750,861 S 3/2016 Alletto, Jr.
 D794,273 S 8/2017 Abel et al.
 D798,520 S 9/2017 Walter et al.
 D809,730 S 2/2018 Churchvara et al.
 D810,380 S 2/2018 Sommerfield et al.
 D814,735 S 4/2018 Rockwell et al.
 10,390,614 B1 * 8/2019 Olivier A47B 57/46

* cited by examiner

Fig. 1

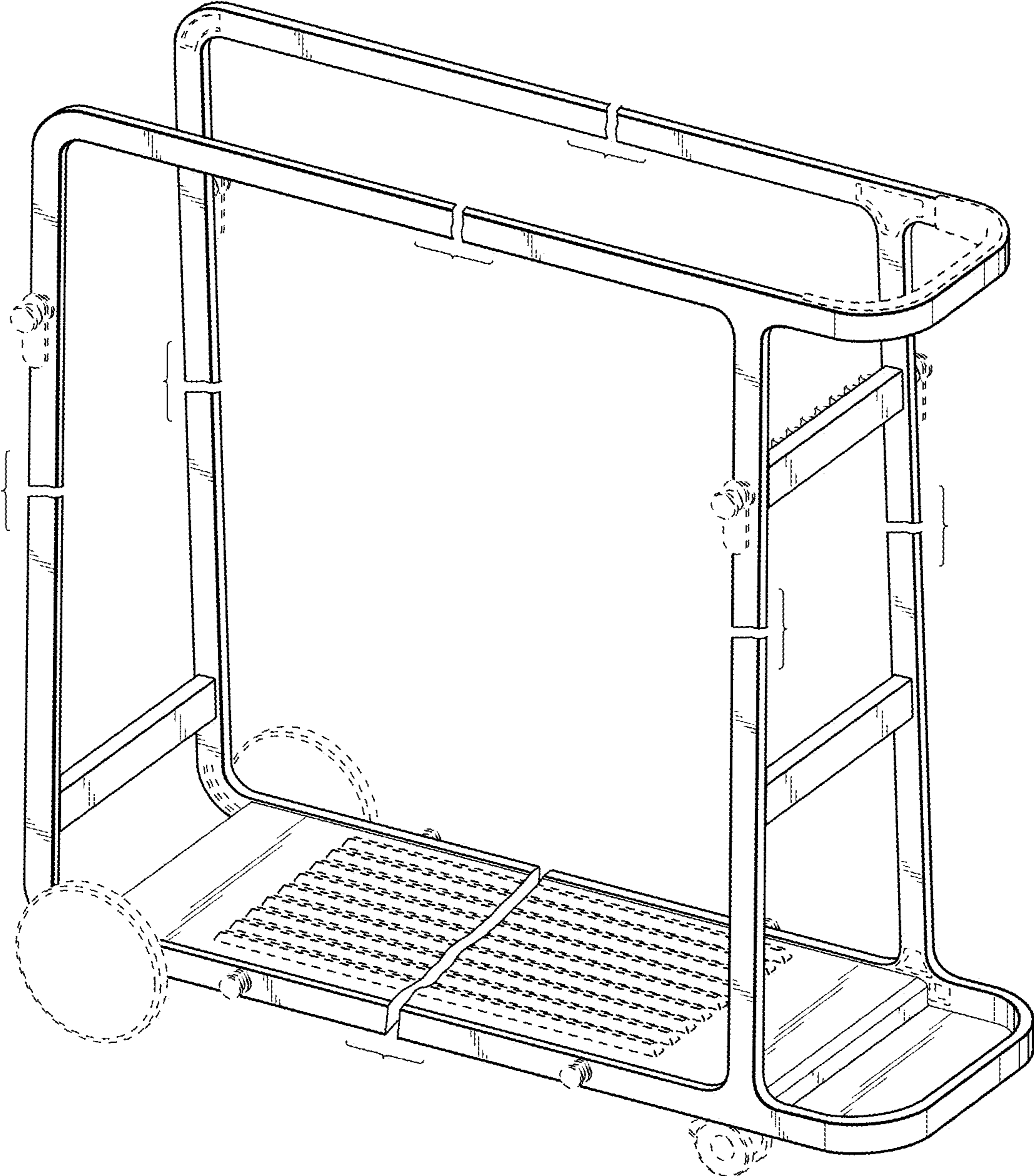


Fig. 2

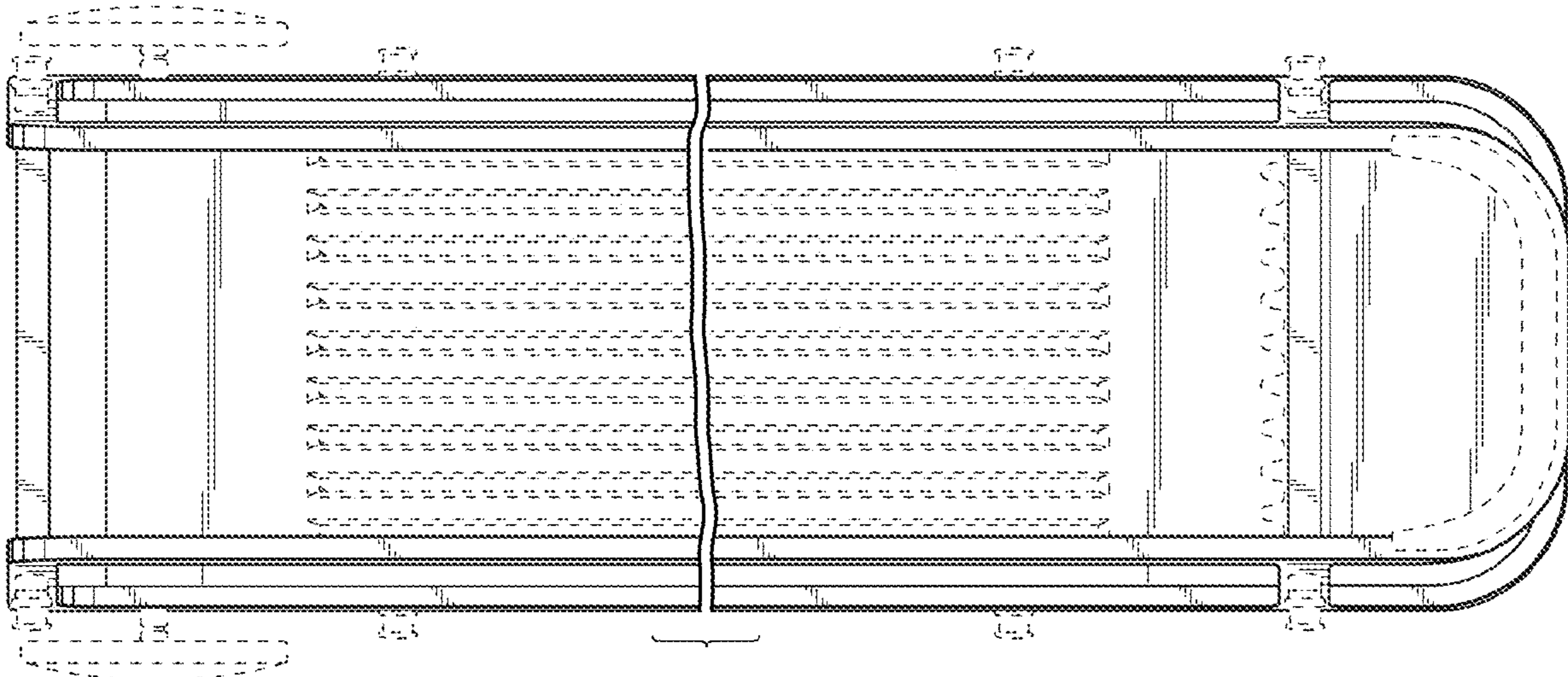


Fig. 3

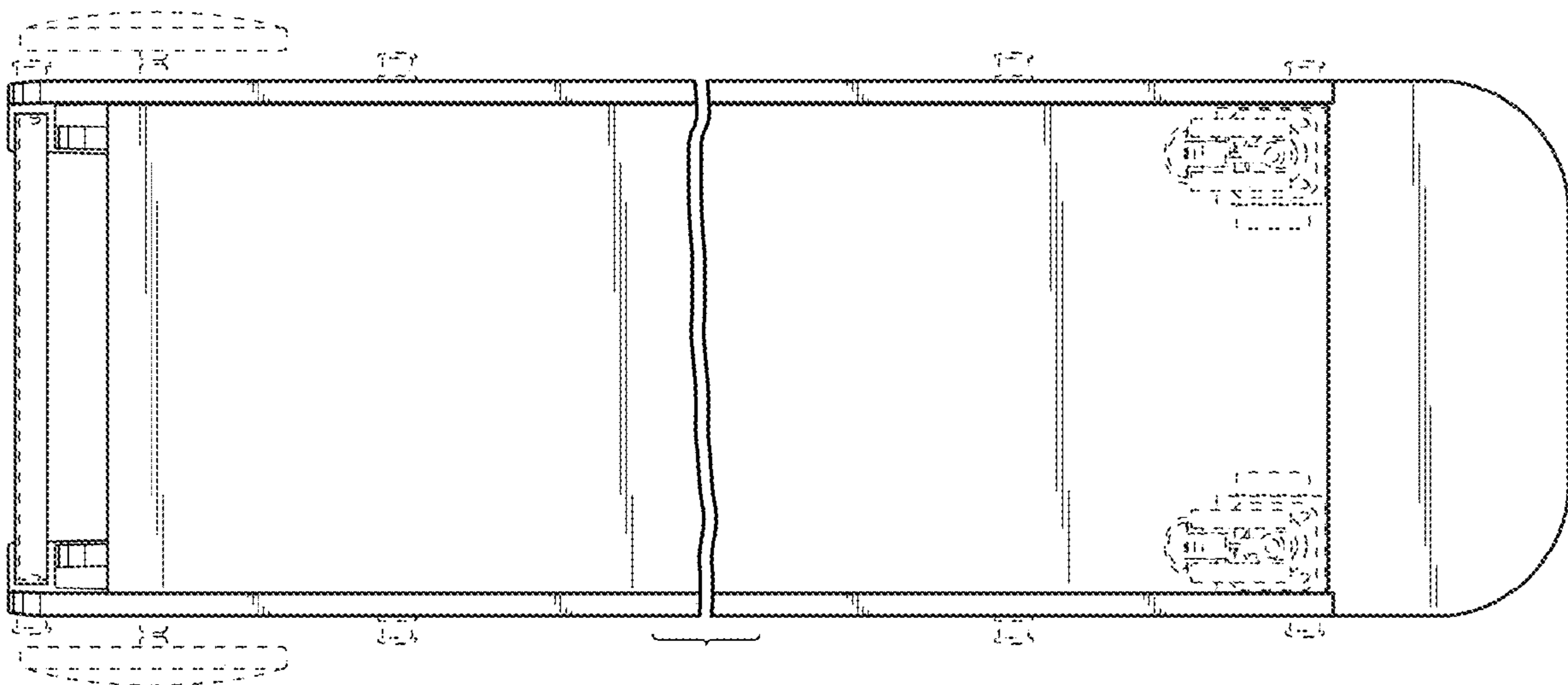


Fig. 4

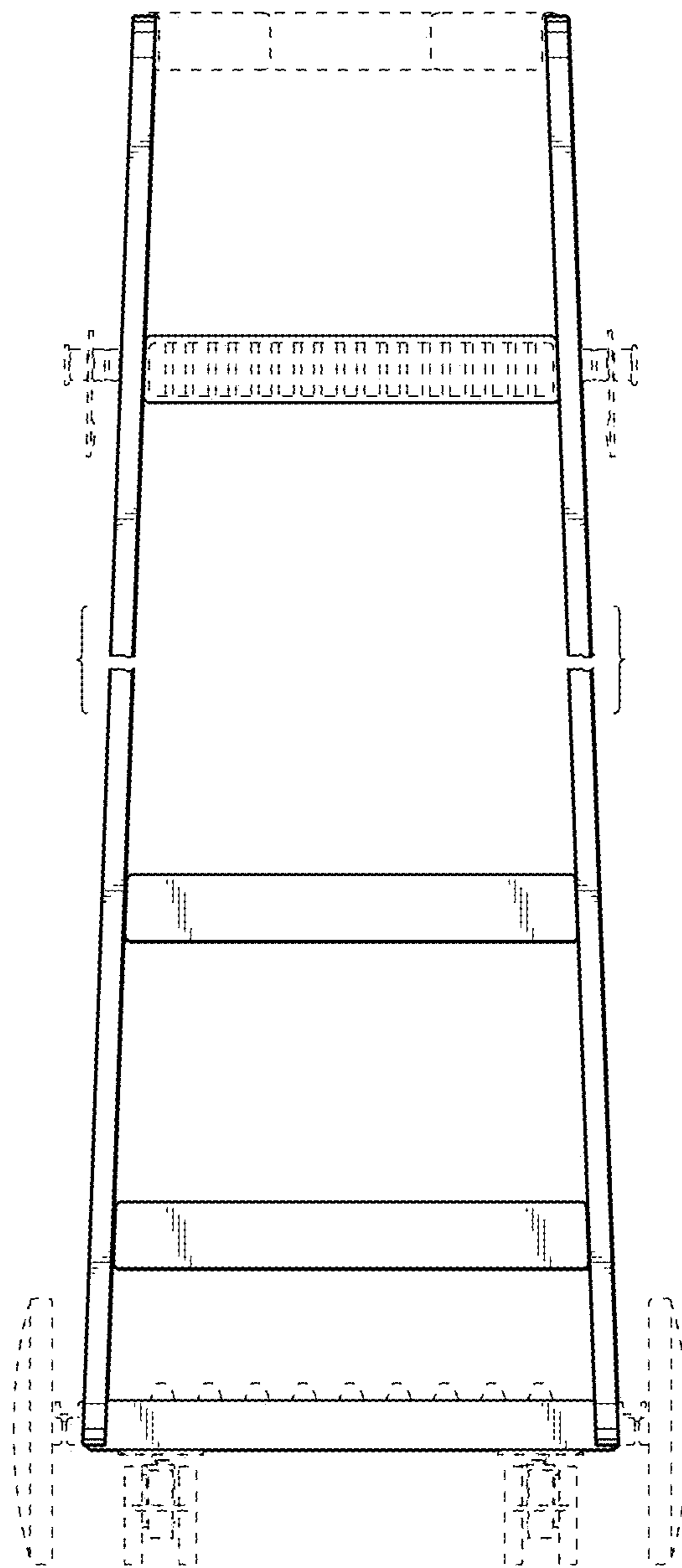


Fig. 5

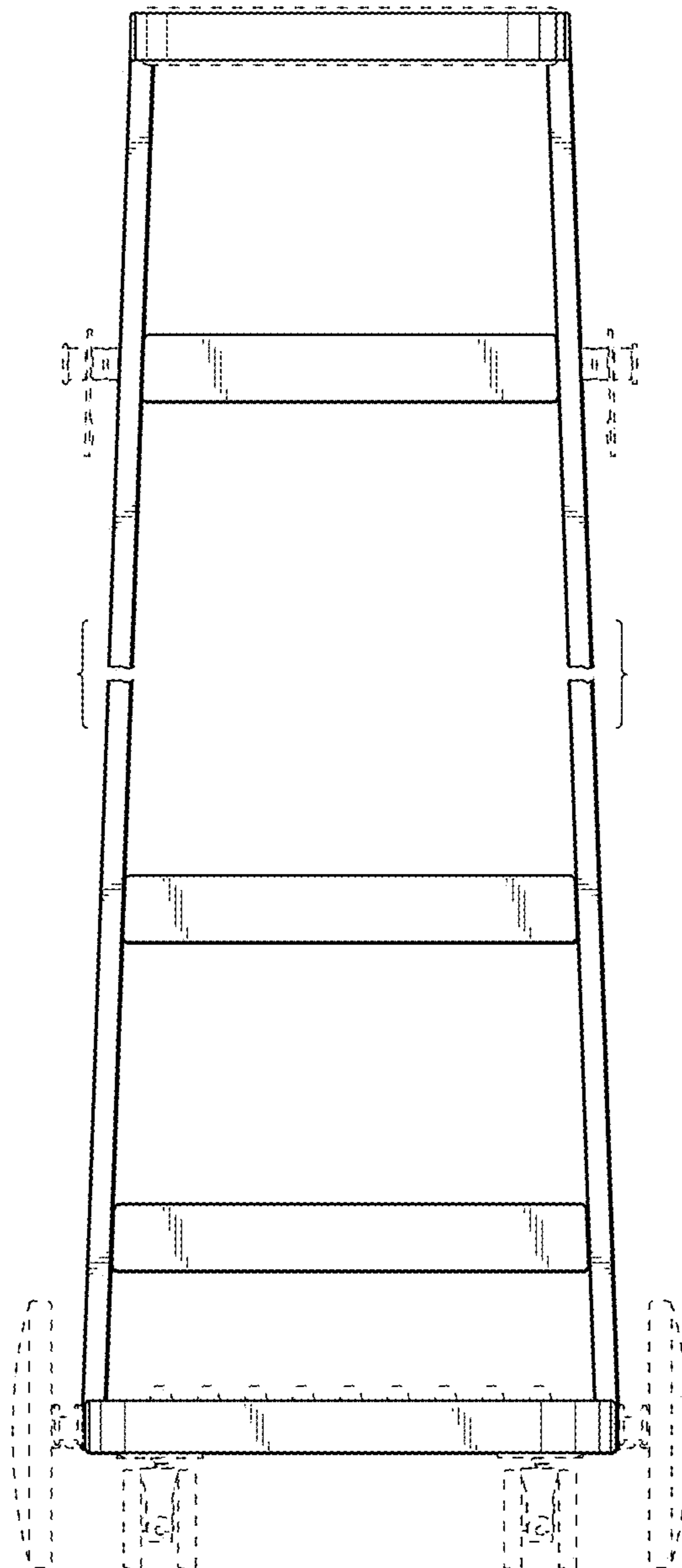


Fig. 6

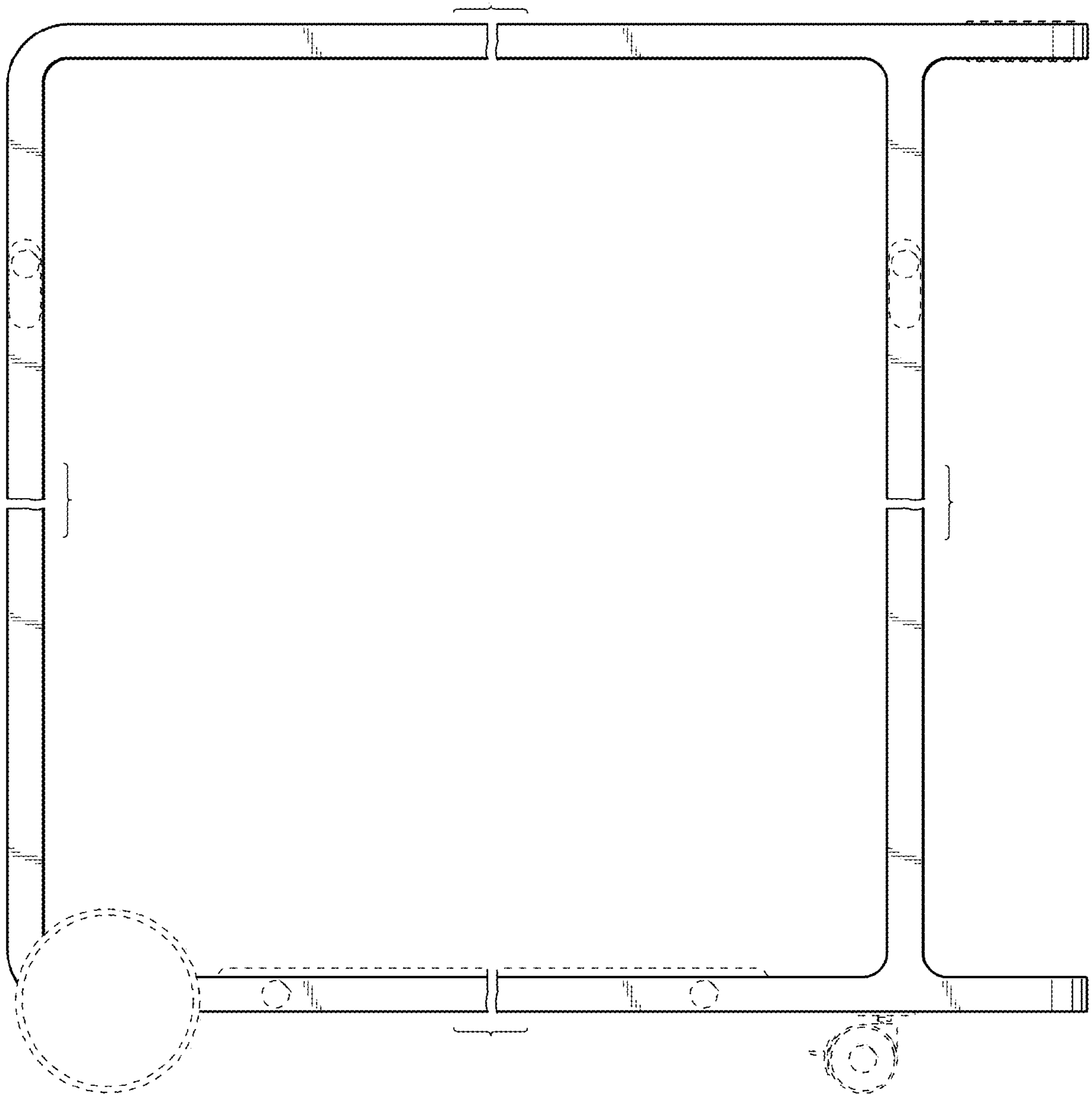


Fig. 7

