



US00D887098S

(12) **United States Design Patent**  
**Li**

(10) **Patent No.:** **US D887,098 S**

(45) **Date of Patent:** **\*\* Jun. 9, 2020**

(54) **DISH RACK**

(71) Applicant: **DONGGUAN HUI QI CHENG**  
**HOUSEHOLD GOODS CO., LTD,**  
Dongguan (CN)

(72) Inventor: **Xuewen Li,** Dongguan (CN)

(73) Assignee: **DONGGUAN HUI QI CHENG**  
**HOUSEHOLD GOODS CO., LTD,**  
Dongguan (CN)

(\*\*) Term: **15 Years**

(21) Appl. No.: **29/710,710**

(22) Filed: **Oct. 25, 2019**

(51) **LOC (12) Cl.** ..... **07-05**

(52) **U.S. Cl.**  
USPC ..... **D32/55**

(58) **Field of Classification Search**  
USPC ..... D32/55, 276, 3; D6/510, 525; D30/133;  
211/41.5, 41.4, 41.3, 41.8; 361/679.4;  
312/311, 333, 334.4; D7/354, 629  
CPC ..... A47J 47/20; A47J 2201/00; A47J 47/00;  
B65D 35/02; B65D 35/22; B65D 35/56  
See application file for complete search history.

(56) **References Cited**

**U.S. PATENT DOCUMENTS**

D345,834 S 4/1994 Craft et al.  
D647,678 S \* 10/2011 Yang ..... D32/55  
D667,190 S \* 9/2012 Miller ..... D32/55

D693,081 S \* 11/2013 Yang ..... D32/55  
D699,413 S \* 2/2014 Huang ..... D32/55  
D706,510 S \* 6/2014 Lerner ..... D32/55  
D723,236 S 2/2015 Khaitan  
D776,385 S \* 1/2017 Evans ..... D32/55  
D776,387 S 1/2017 Chen  
D783,216 S \* 4/2017 Huang ..... D32/55  
D799,133 S \* 10/2017 Wong ..... D32/55  
D819,289 S \* 5/2018 Umholtz ..... D32/55  
D820,543 S \* 6/2018 Huang ..... D32/55  
D846,220 S \* 4/2019 Kraemer ..... D32/55  
D871,703 S \* 12/2019 Huang ..... D32/55  
D874,775 S \* 2/2020 Xie ..... D32/55

\* cited by examiner

*Primary Examiner* — Austin Murphy

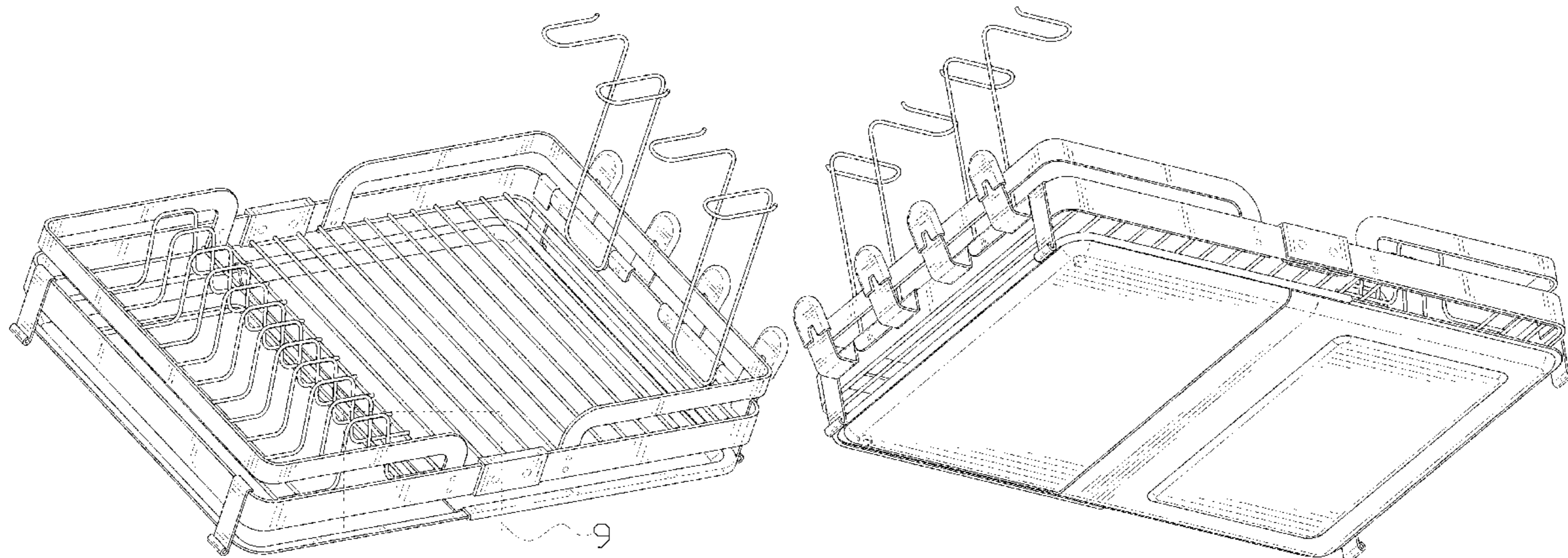
(57) **CLAIM**

The ornamental design for a dish rack, as shown and described.

**DESCRIPTION**

FIG. 1 is a perspective view of a dish rack showing my new design;  
FIG. 2 is another perspective view thereof;  
FIG. 3 is a front elevational view thereof;  
FIG. 4 is a rear elevational view thereof;  
FIG. 5 is a left side elevational view thereof;  
FIG. 6 is a right side elevational view thereof;  
FIG. 7 is a top plan view thereof;  
FIG. 8 is a bottom plan view thereof; and,  
FIG. 9 is an enlarged view of portion 9 shown in FIG. 1.  
The broken lines in the drawings depict portions of the dish rack that form no part of the claimed design.

**1 Claim, 9 Drawing Sheets**



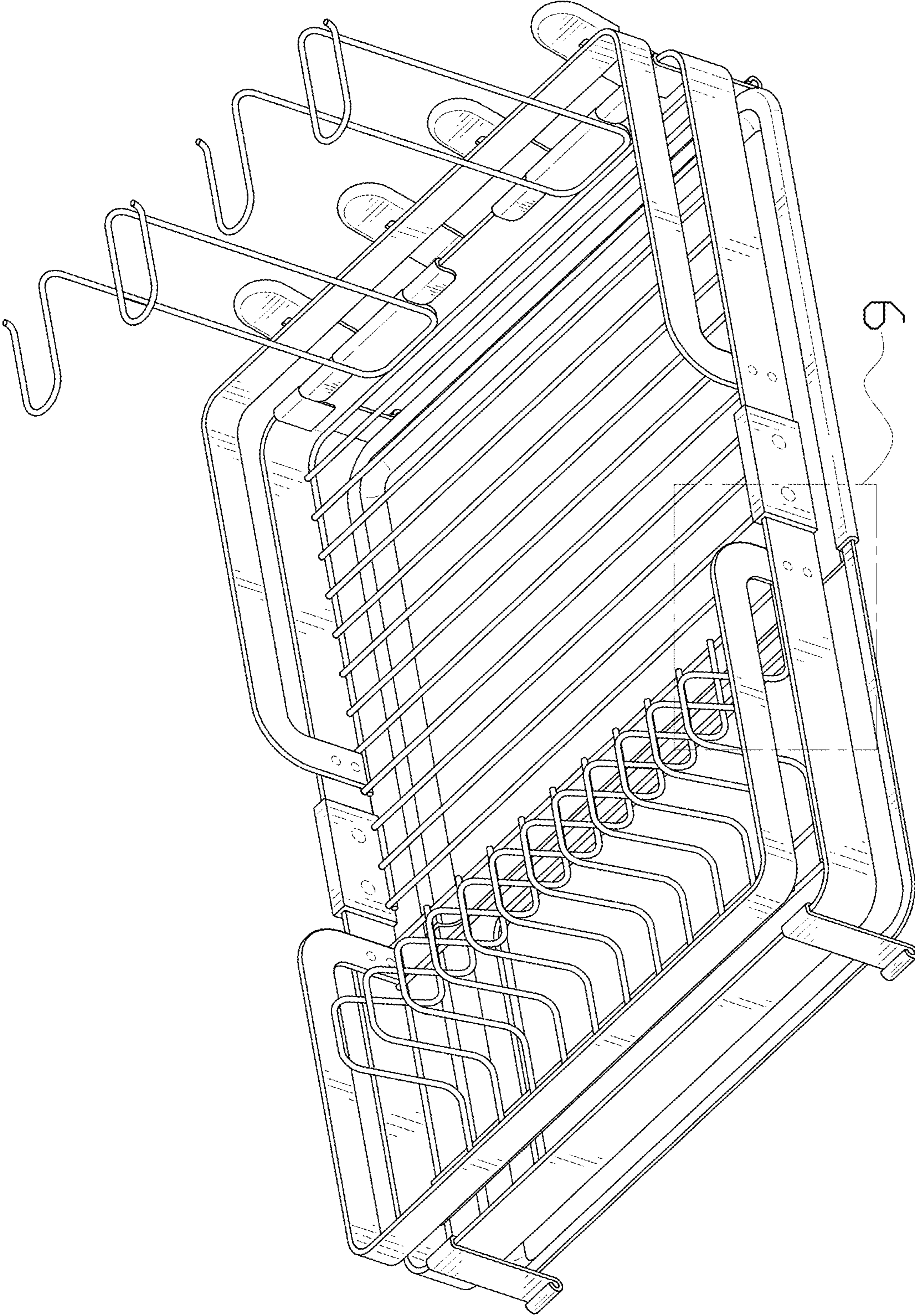


FIG. 1

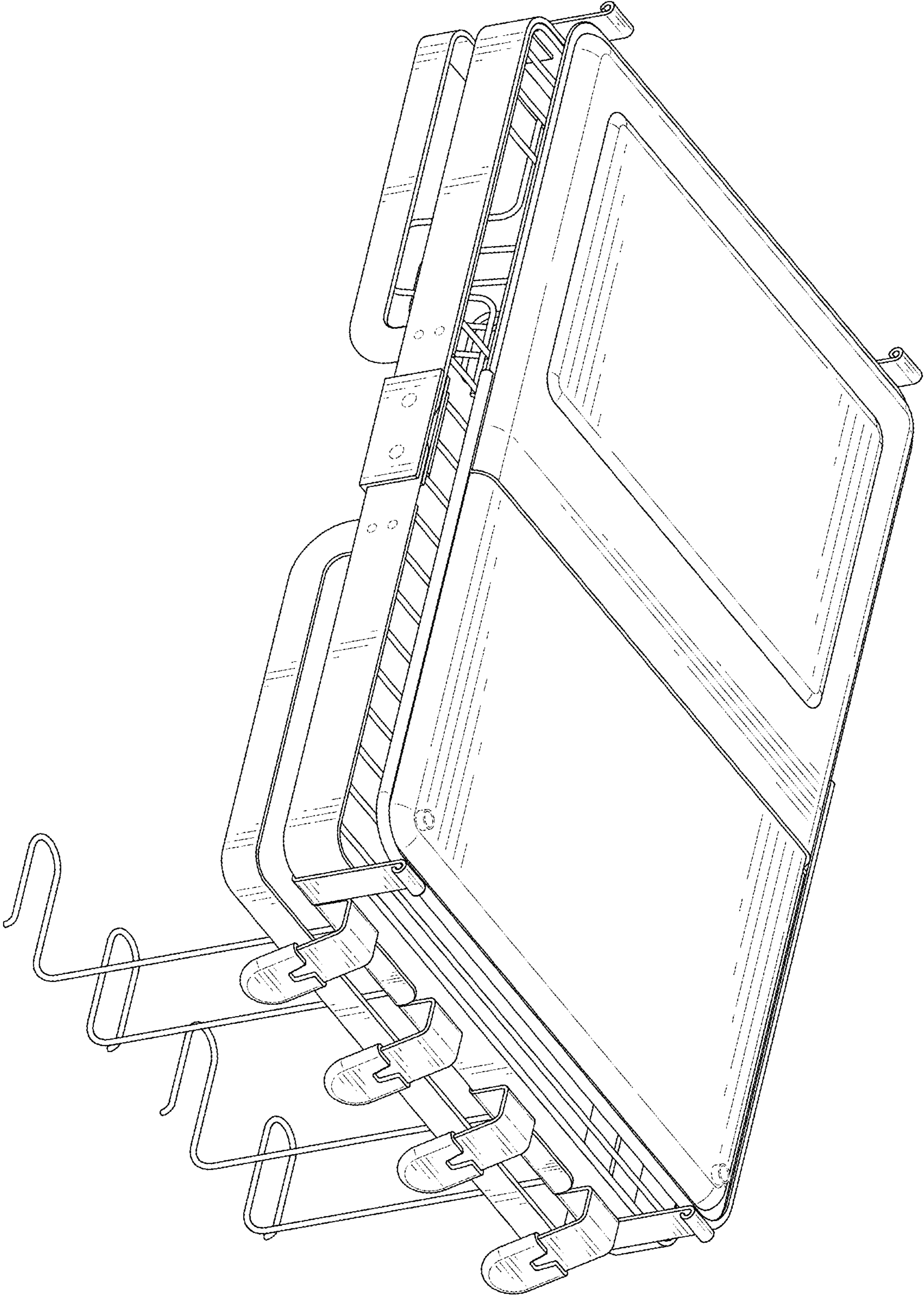


FIG. 2

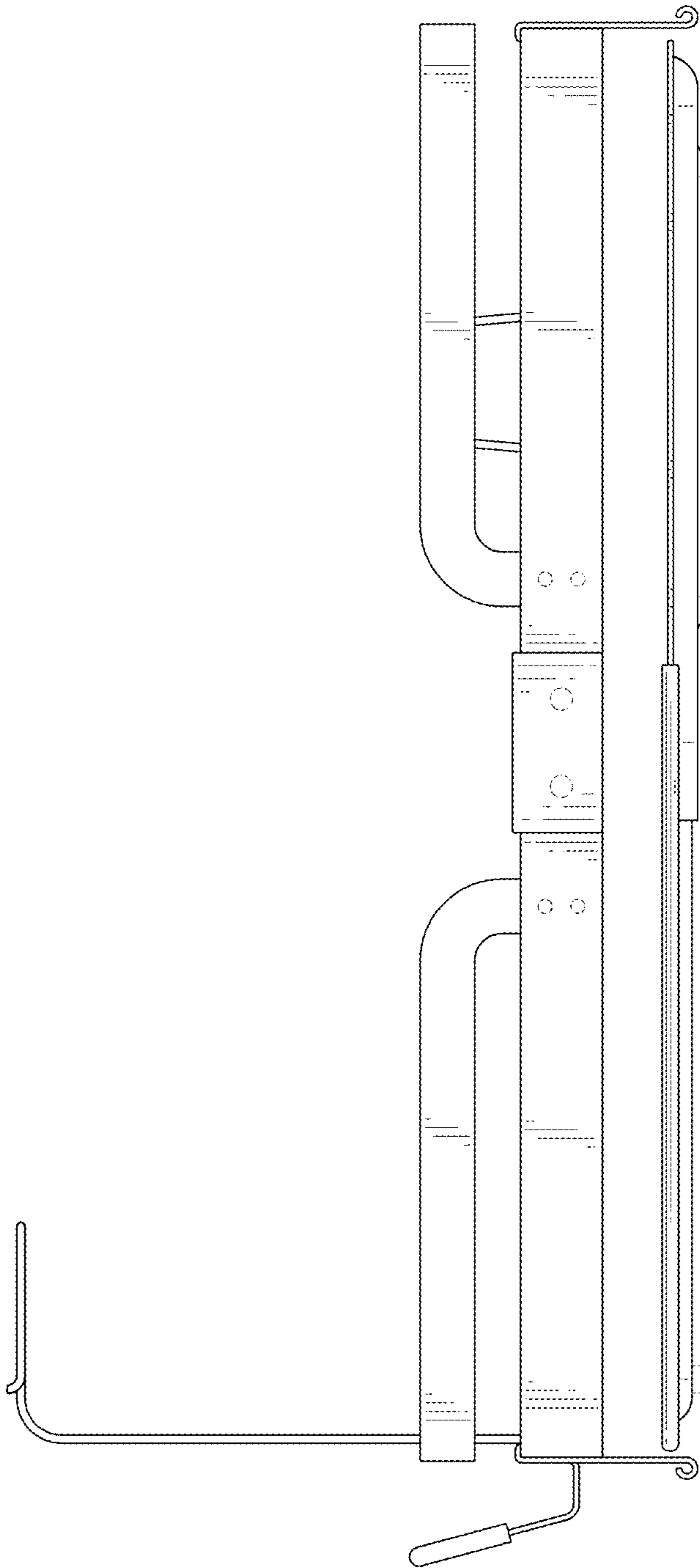


FIG. 3

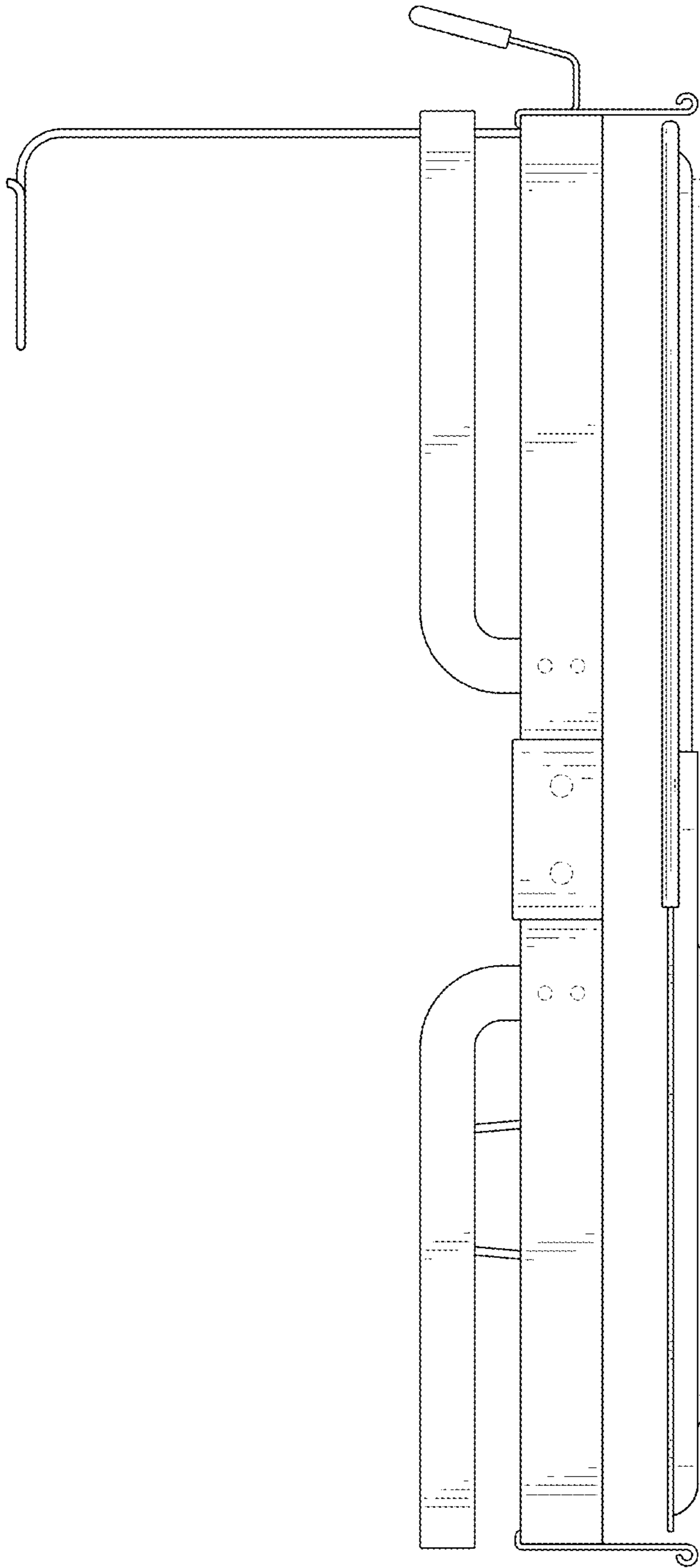


FIG. 4

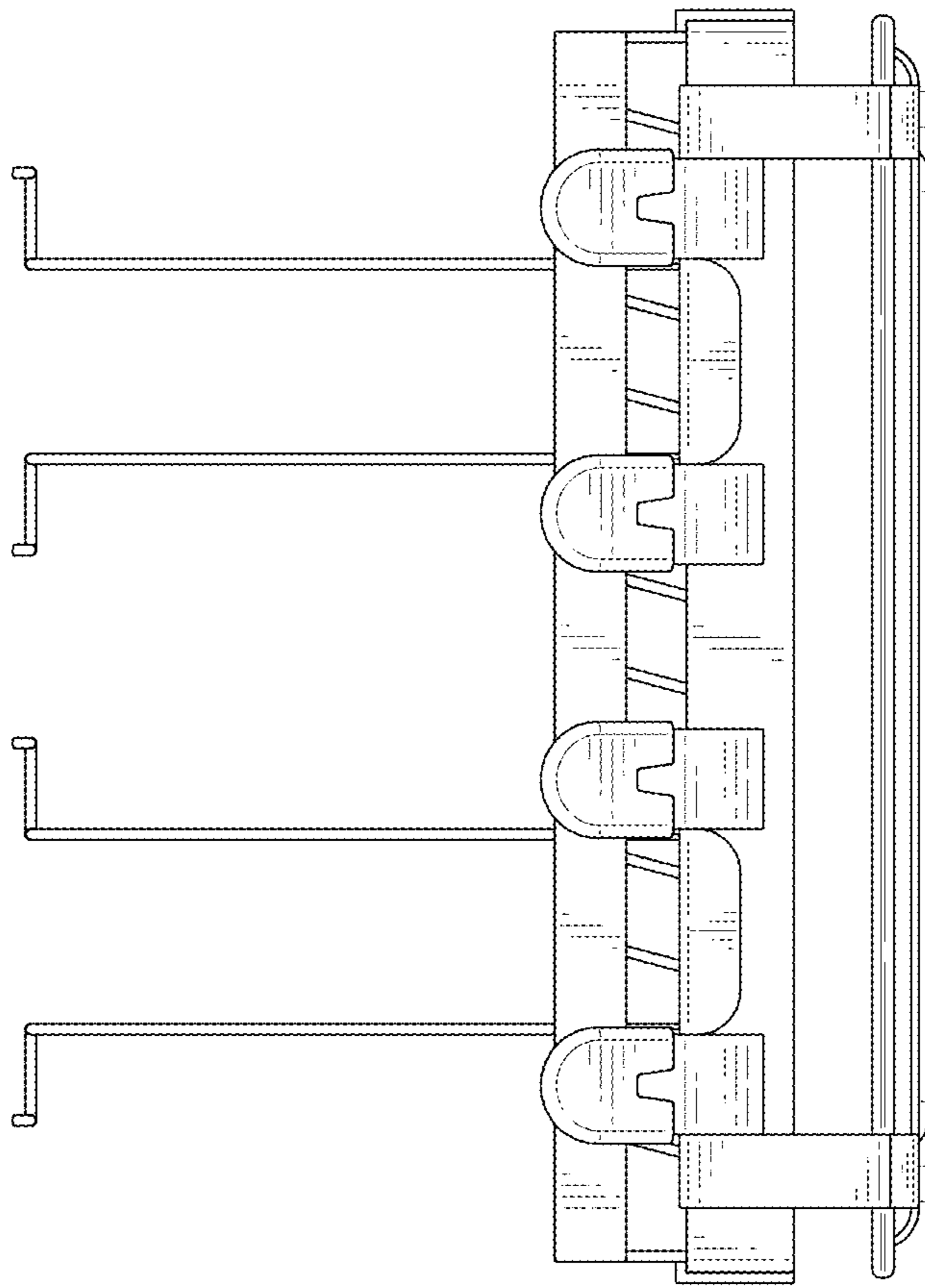


FIG. 5

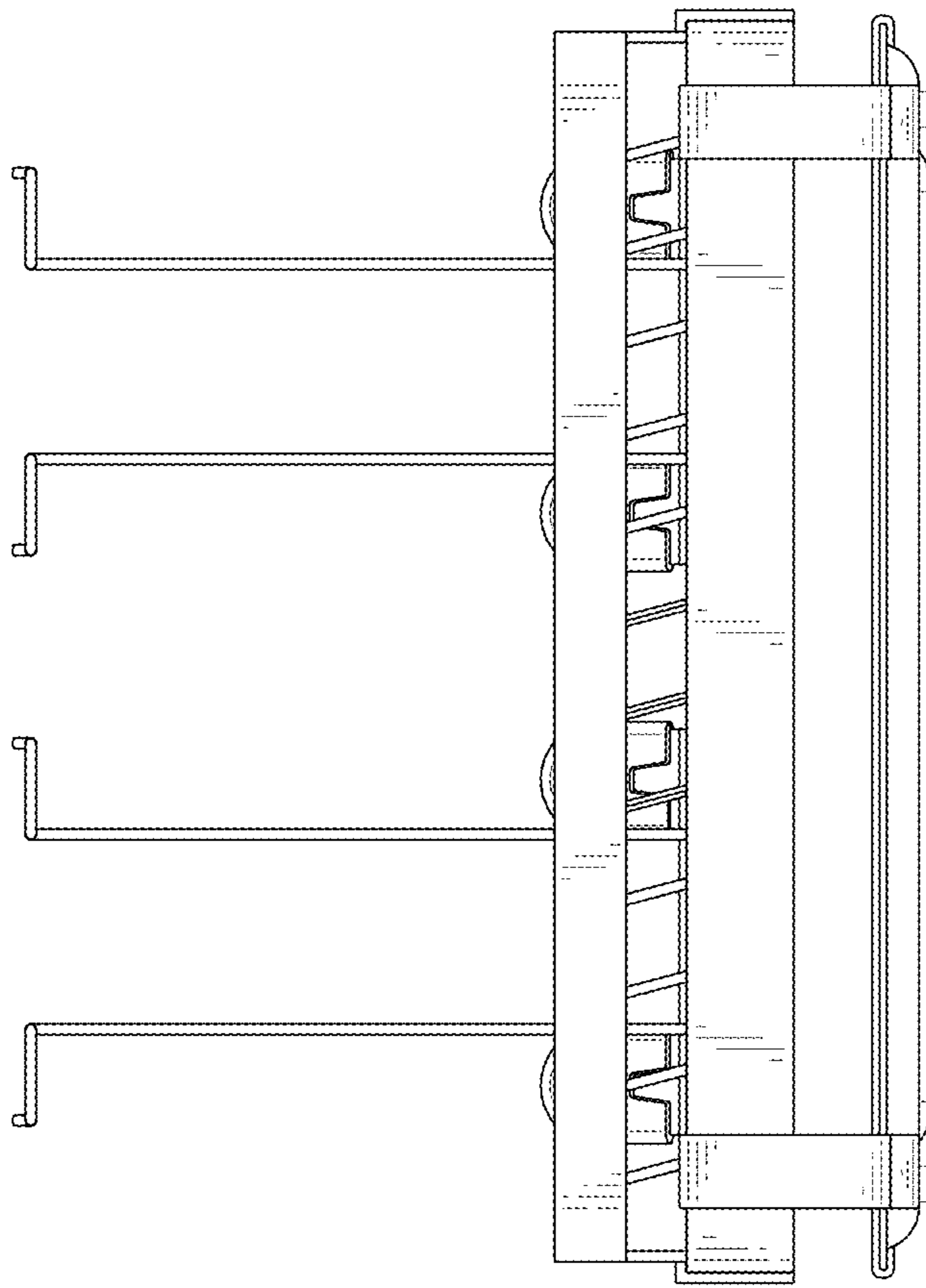


FIG. 6

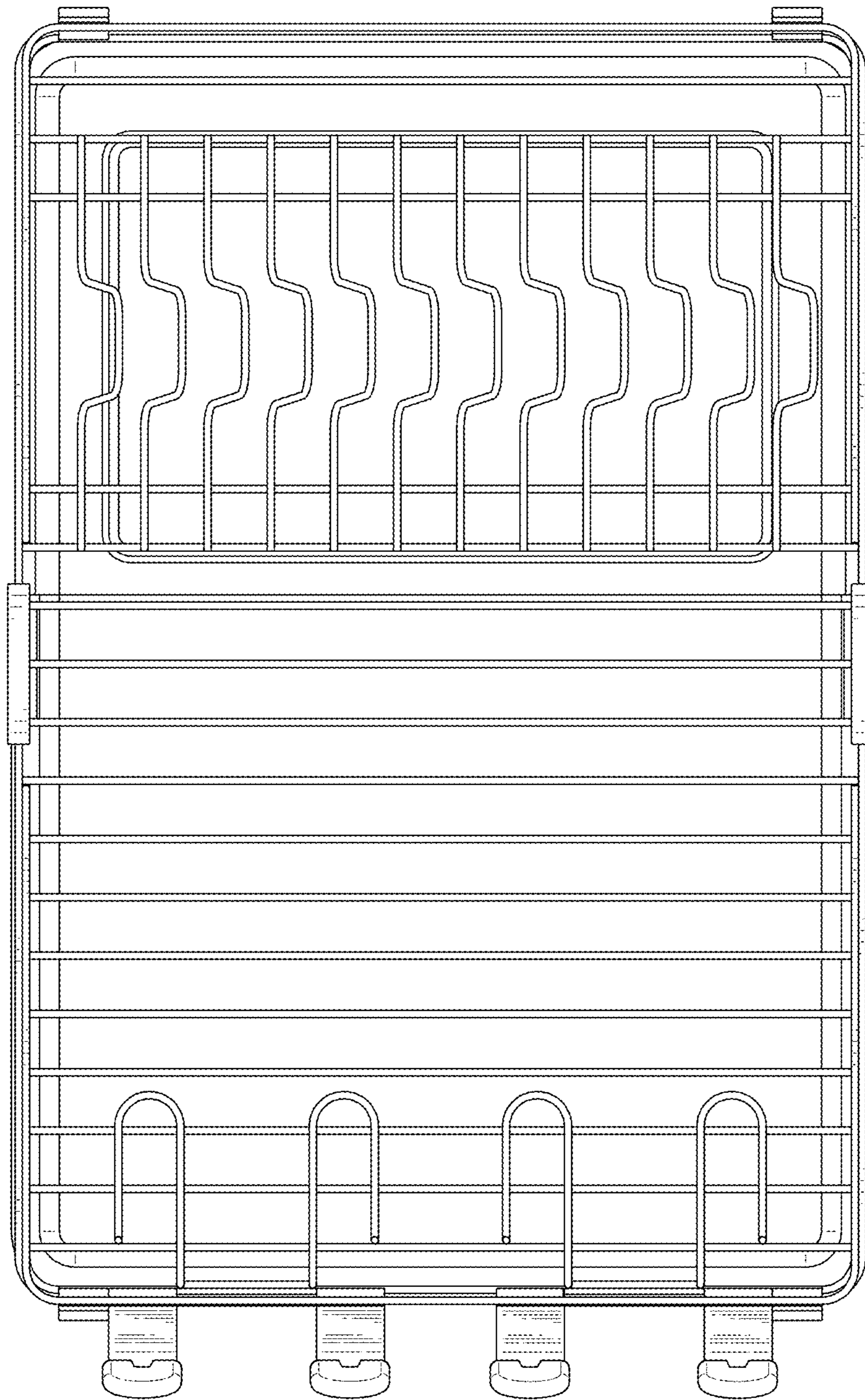


FIG. 7



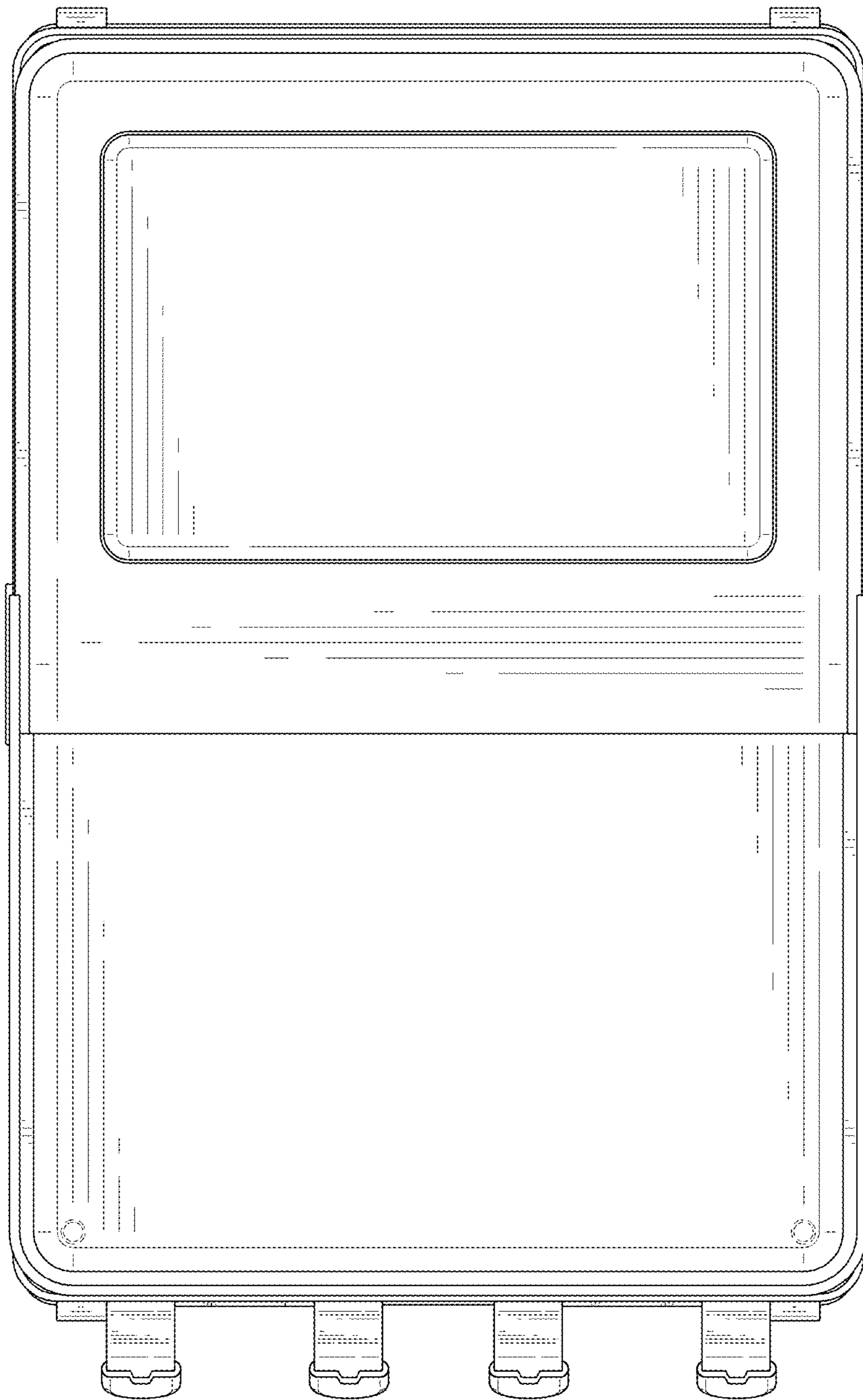


FIG. 8

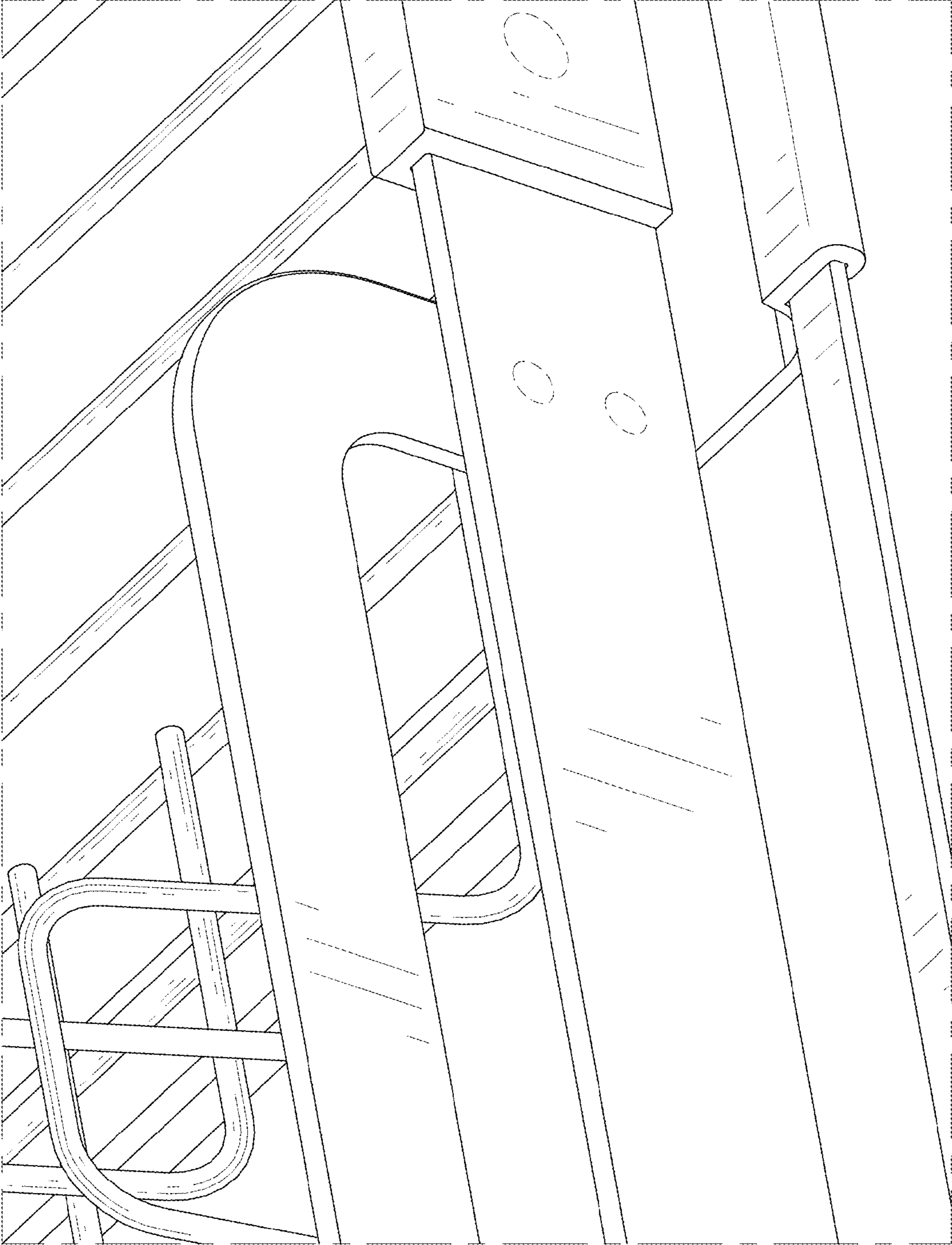


FIG. 9