



US00D887096S

(12) **United States Design Patent**
Erdfarb

(10) **Patent No.:** **US D887,096 S**

(45) **Date of Patent:** **** Jun. 9, 2020**

(54) **PAINT TRIM CUP**

(71) Applicant: **Jeffrey Erdfarb**, Teaneck, NJ (US)

(72) Inventor: **Jeffrey Erdfarb**, Teaneck, NJ (US)

(**) Term: **15 Years**

(21) Appl. No.: **29/665,589**

(22) Filed: **Oct. 4, 2018**

(51) **LOC (12) Cl.** **07-05**

(52) **U.S. Cl.**
USPC **D32/53.1**

(58) **Field of Classification Search**
USPC D32/53, 53.1, 54; D3/304, 307, 315
CPC B44D 3/123; B44D 3/128; B44D 3/12;
A47L 13/142; A47L 13/58; B65D 25/14
See application file for complete search history.

(56) **References Cited**

U.S. PATENT DOCUMENTS

- D537,996 S * 3/2007 Lundy D32/53.1
- D556,298 S * 11/2007 Sutopo D23/290
- D578,264 S * 10/2008 Lundy D32/53.1
- D597,751 S * 8/2009 Cohen B44D 3/121
D32/53
- D607,623 S * 1/2010 Hagen D32/53

- D674,156 S * 1/2013 McIntyre D30/121
- D755,448 S * 5/2016 McIntyre D30/131
- 2006/0226154 A1 * 10/2006 Lundy B44D 3/121
220/507

OTHER PUBLICATIONS

Homedepot.com, Plastic Paint Trim Cup, Jan. 2013, online product page, retrieved Oct. 16, 2019 from <URL:https://www.homedepot.com/p/Earth-Plastic-Plastic-Paint-Trim-Cup-PTC710-40HE/202019634> (Year: 2013).*

* cited by examiner

Primary Examiner — Sheryl Lane
Assistant Examiner — Calvin E Vansant

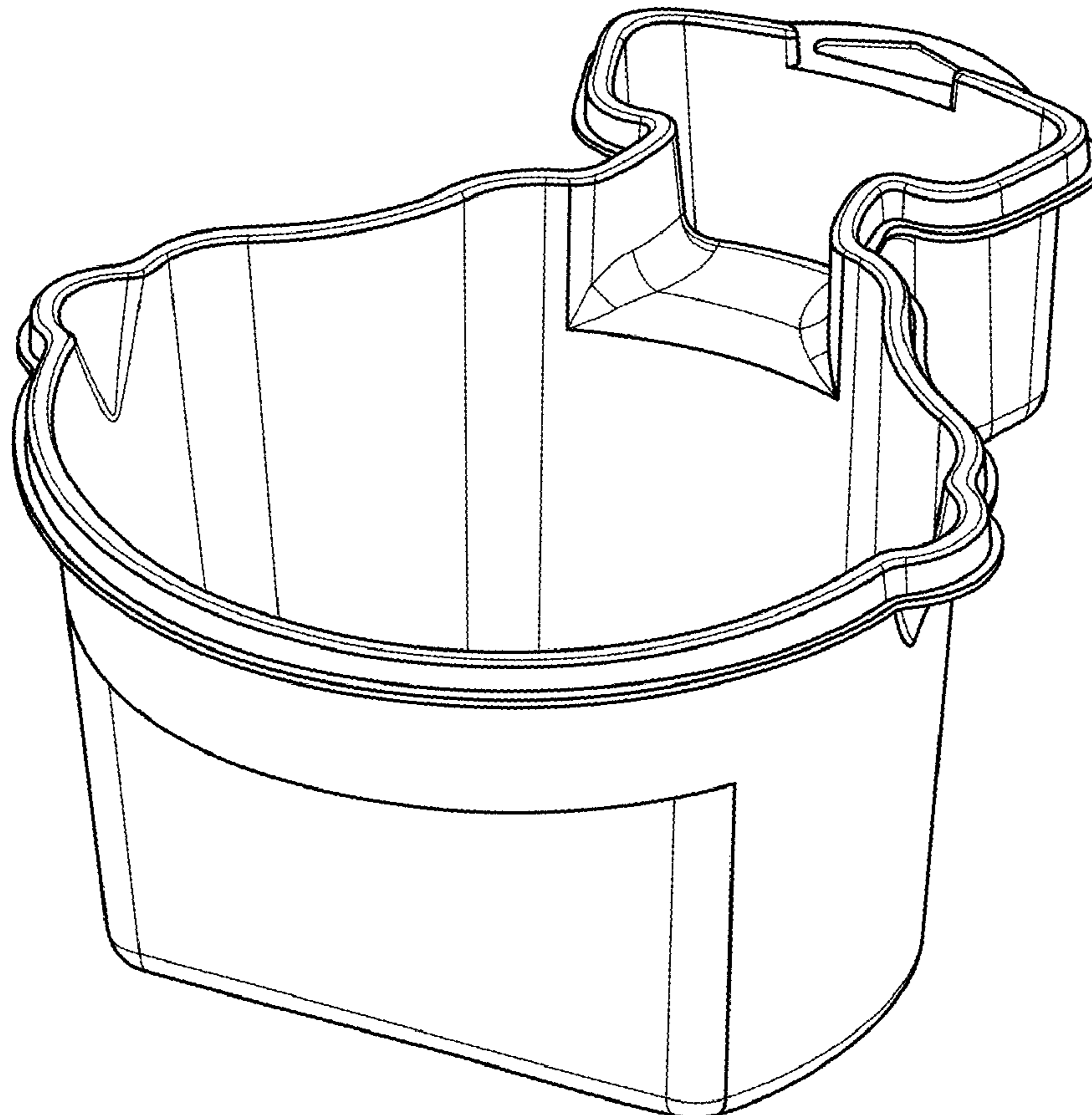
(57) **CLAIM**

The ornamental design for a paint trim cup, as shown and described.

DESCRIPTION

FIG. 1 is a perspective view of a paint brush trim cup;
FIG. 2 is a different perspective view of a paint brush trim cup;
FIG. 3 is a left side elevation view thereof;
FIG. 4 is a right side elevation view thereof;
FIG. 5 is a front elevation view thereof; and,
FIG. 6 is a top elevation view thereof.

1 Claim, 6 Drawing Sheets



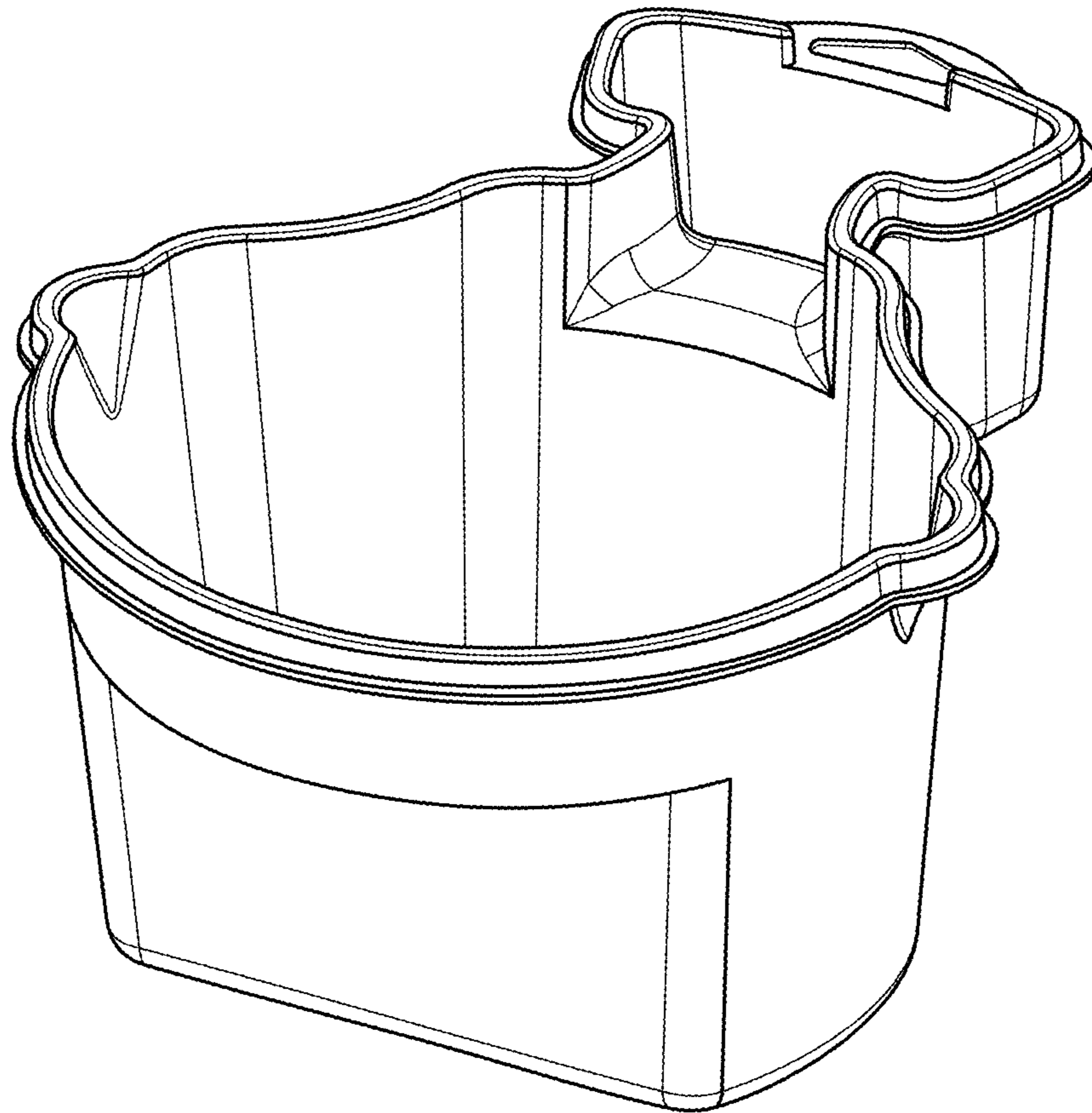


FIG. 1

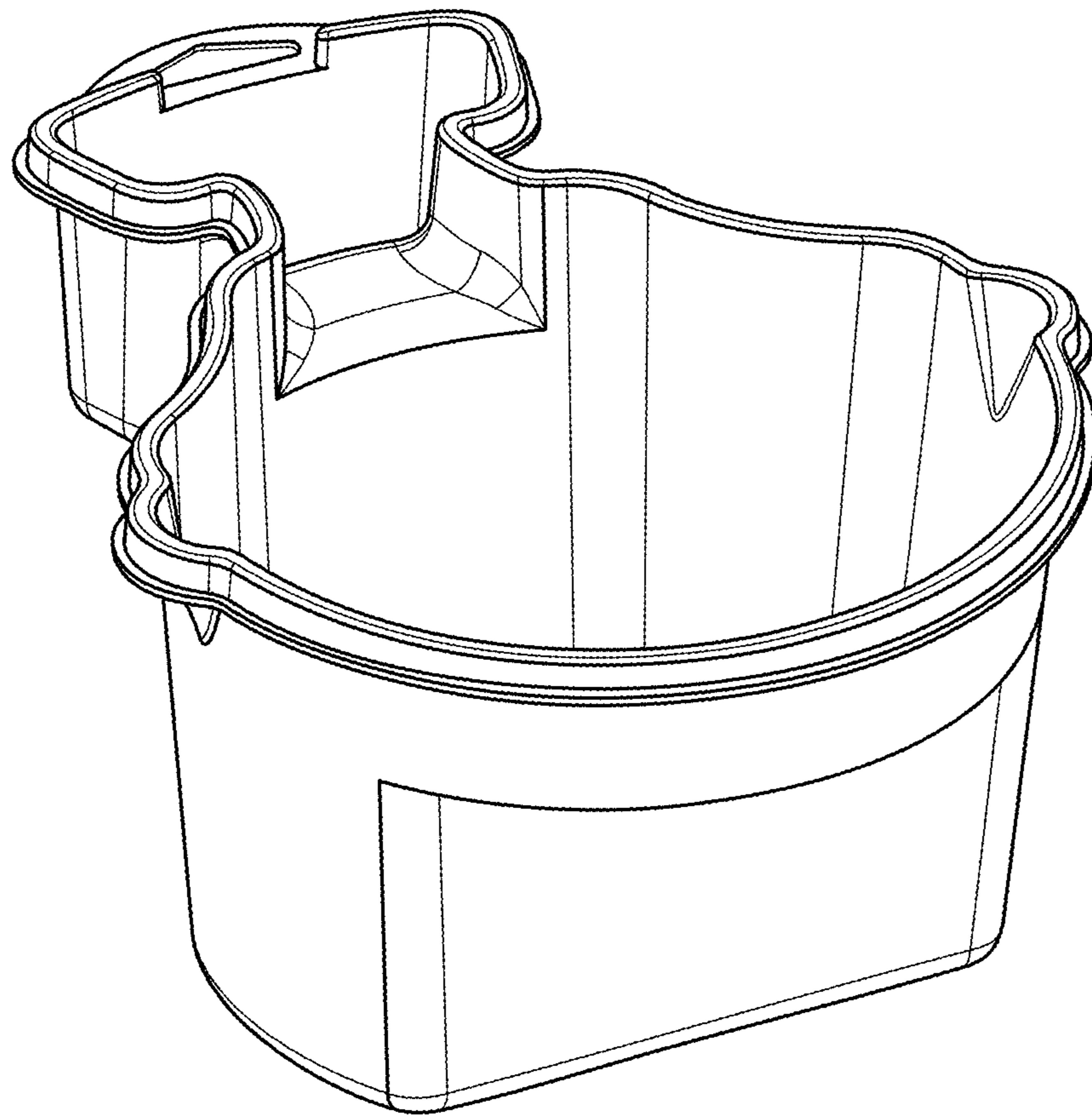


FIG. 2

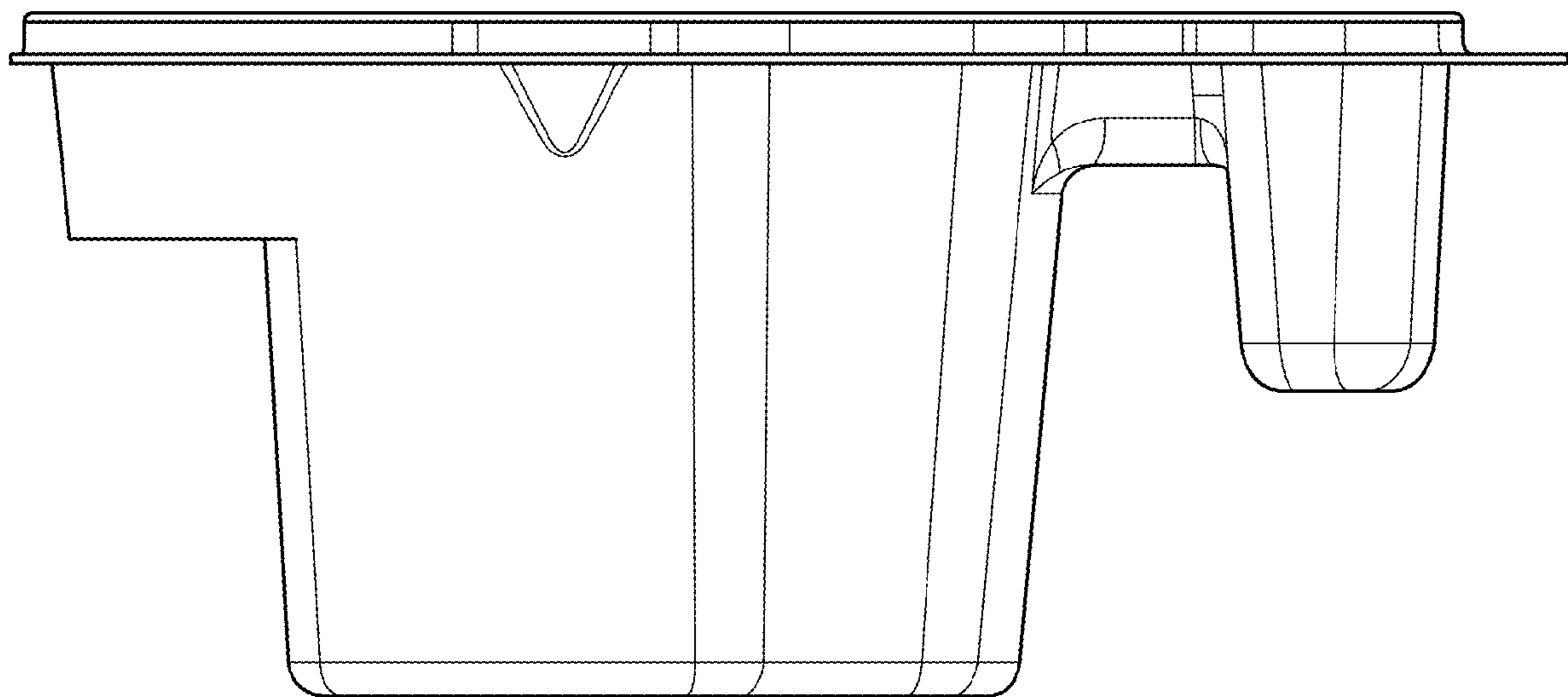


FIG. 3

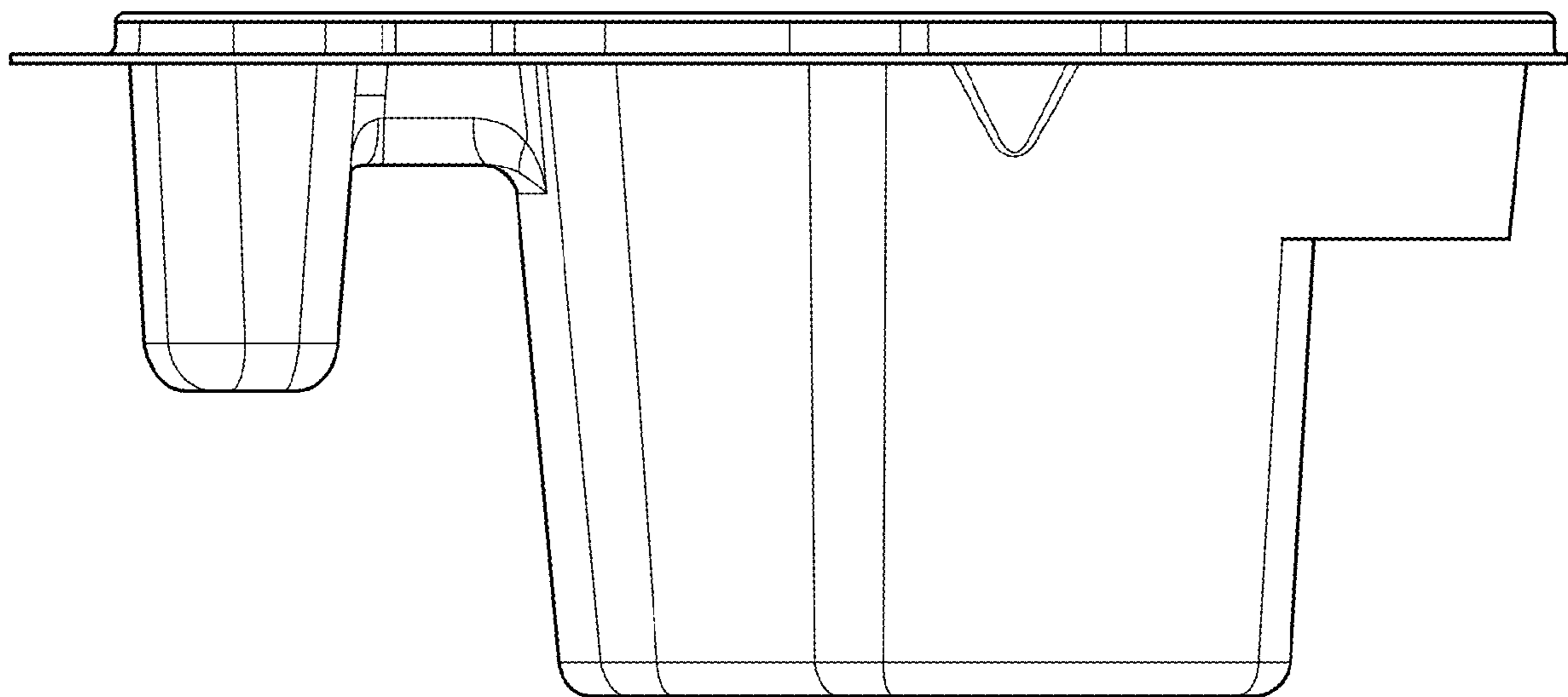


FIG. 4

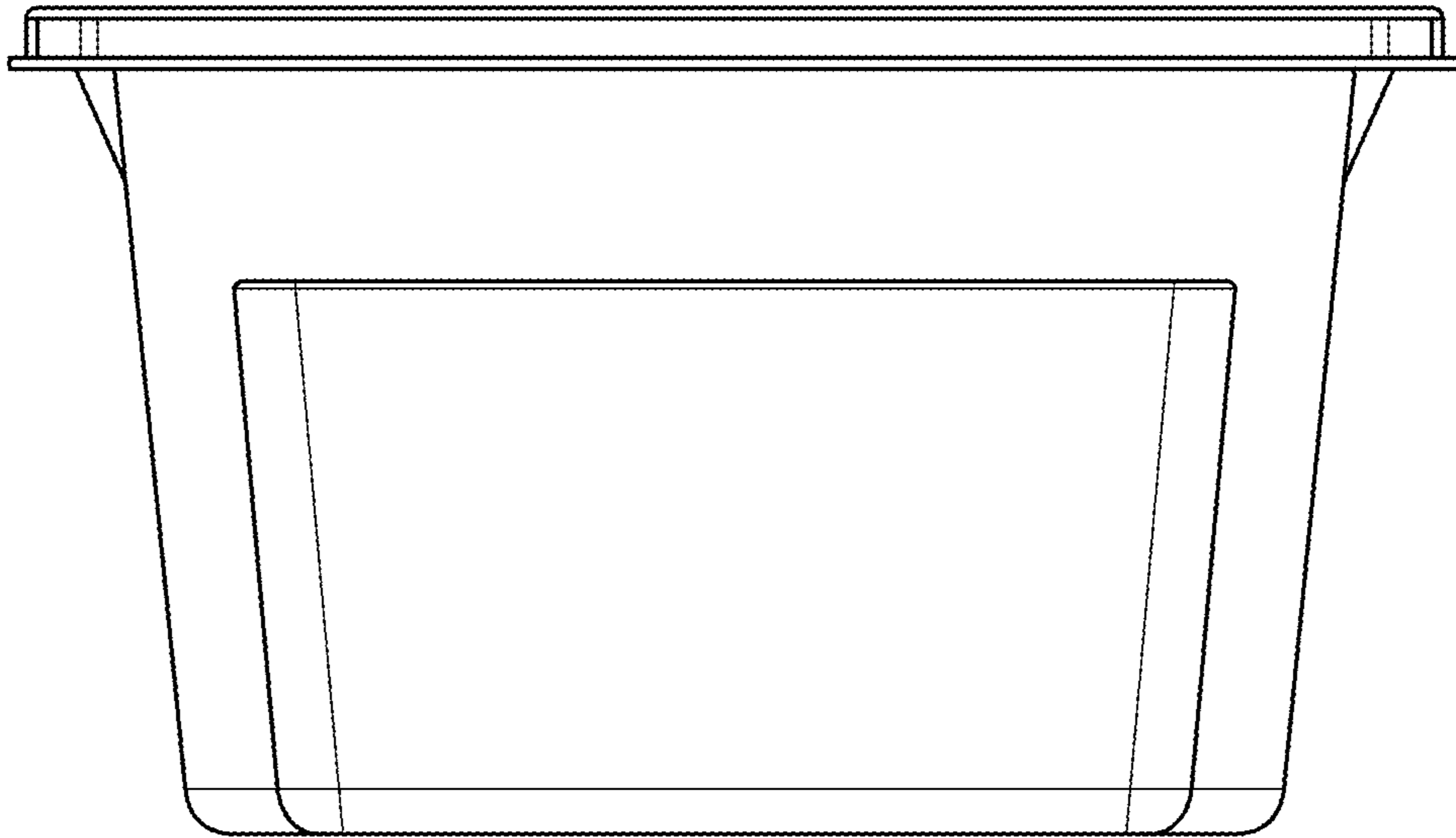


FIG. 5

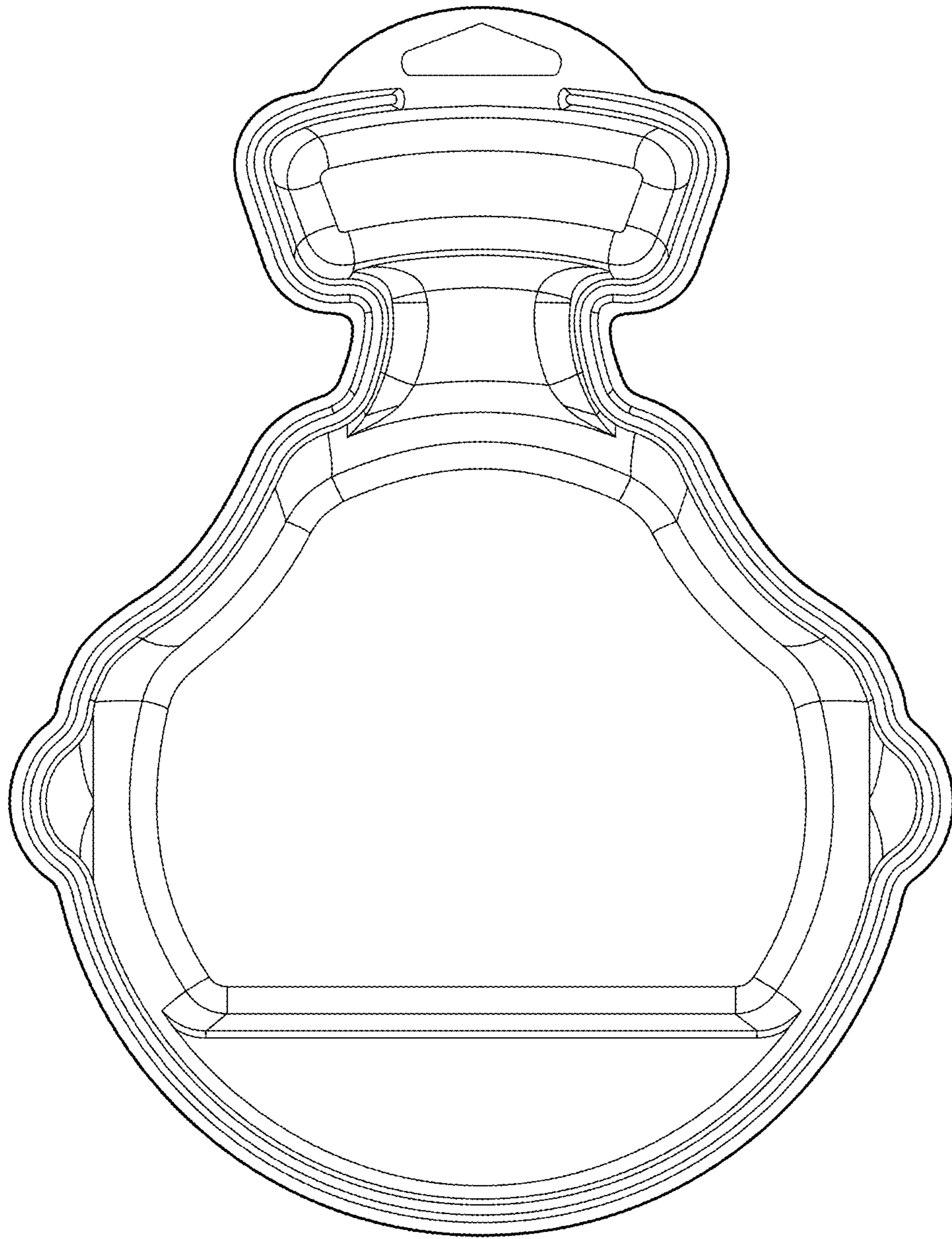


FIG. 6