



US00D887094S

(12) **United States Design Patent**
Ruan

(10) **Patent No.:** **US D887,094 S**
(45) **Date of Patent:** **** Jun. 9, 2020**

- (54) **PET SQUEAKY TOY**
- (71) Applicant: **WANHUI COMMERCIAL (SHENZHEN) CO., LTD**, Shenzhen (CN)
- (72) Inventor: **Chuanchi Ruan**, Maoming (CN)
- (73) Assignee: **WANHUI COMMERCIAL (SHENZHEN) CO., LTD**, Shenzhen (CN)
- (**) Term: **15 Years**
- (21) Appl. No.: **29/724,516**
- (22) Filed: **Feb. 17, 2020**
- (51) **LOC (12) Cl.** **30-99**
- (52) **U.S. Cl.**
USPC **D30/160; D24/211**
- (58) **Field of Classification Search**
USPC D30/121, 160, 161; D21/398, 681-682; D11/7, 14, 49; D24/191-192, 211-215; D1/106, 109, 125, 199; D19/59; 119/89; 426/707, 709
CPC A01K 15/026; A63B 43/02; A63B 43/00; A61H 2015/0021; A61H 15/0092
See application file for complete search history.

(56) **References Cited**

U.S. PATENT DOCUMENTS

- D418,881 S * 1/2000 Cousins D21/681
- D453,242 S * 1/2002 Kaplan A01K 15/026
D30/160
- D496,773 S * 10/2004 Tepper D1/199
- D497,457 S * 10/2004 Willinger A01K 15/026
D24/211
- D501,700 S * 2/2005 Turner D1/127
- D516,276 S * 3/2006 Unlu D1/199
- D586,976 S * 2/2009 Lundwall D1/109

- D658,821 S * 5/2012 Viola D30/160
- D658,823 S * 5/2012 Viola D30/160
- D677,441 S * 3/2013 Renforth D30/160
- D686,797 S * 7/2013 Robinson D1/106
- D694,964 S * 12/2013 Axelrod D30/160
- D699,416 S * 2/2014 Barnvos D1/125
- D708,417 S * 7/2014 Allen D1/106
- D712,469 S * 9/2014 Riddle D19/59
- D719,707 S * 12/2014 Axelrod D1/199
- D740,500 S * 10/2015 Wickens D30/160
- D747,067 S * 1/2016 Axelrod D1/106
- D796,125 S 8/2017 Gibson
- D804,140 S * 12/2017 Bennett D1/125
- D809,218 S 1/2018 Yijie
- D819,899 S * 6/2018 Gick D30/160
- D858,907 S * 9/2019 Gick D30/160
- D861,281 S * 10/2019 Axelrod D1/106
- D864,495 S * 10/2019 Katav D30/121
- 2006/0188611 A1 * 8/2006 Unlu A23K 40/20
426/89

(Continued)

Primary Examiner — Sandra S Snapp
Assistant Examiner — Mehri F Bajoul

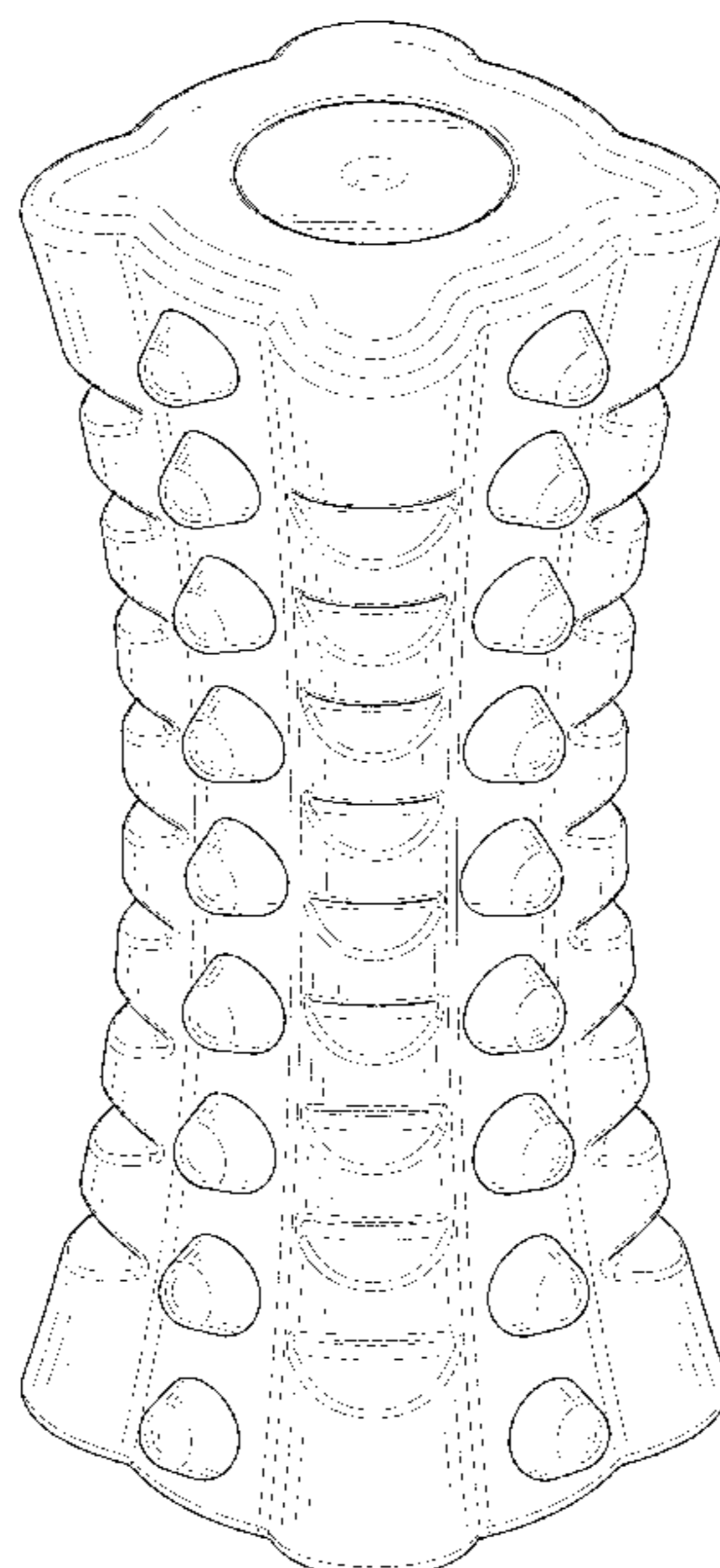
(57) **CLAIM**

The ornamental design for a pet squeaky toy, as shown and described.

DESCRIPTION

FIG. 1 is a perspective view of a pet squeaky toy showing my new design;
FIG. 2 is another perspective view thereof;
FIG. 3 is a front elevational view thereof;
FIG. 4 is a rear elevational view thereof;
FIG. 5 is a left side elevational view thereof;
FIG. 6 is a right side elevational view thereof;
FIG. 7 is a top plan view thereof; and,
FIG. 8 is a bottom plan view thereof.
The broken lines in the drawings depict portions of the pet squeaky toy that form no part of the claimed design.

1 Claim, 8 Drawing Sheets



(56)

References Cited

U.S. PATENT DOCUMENTS

2010/0083910 A1* 4/2010 Axelrod B29C 45/1618
119/709
2015/0296747 A1* 10/2015 Kellogg A01K 15/026
119/709
2017/0360005 A1 12/2017 Cao

* cited by examiner

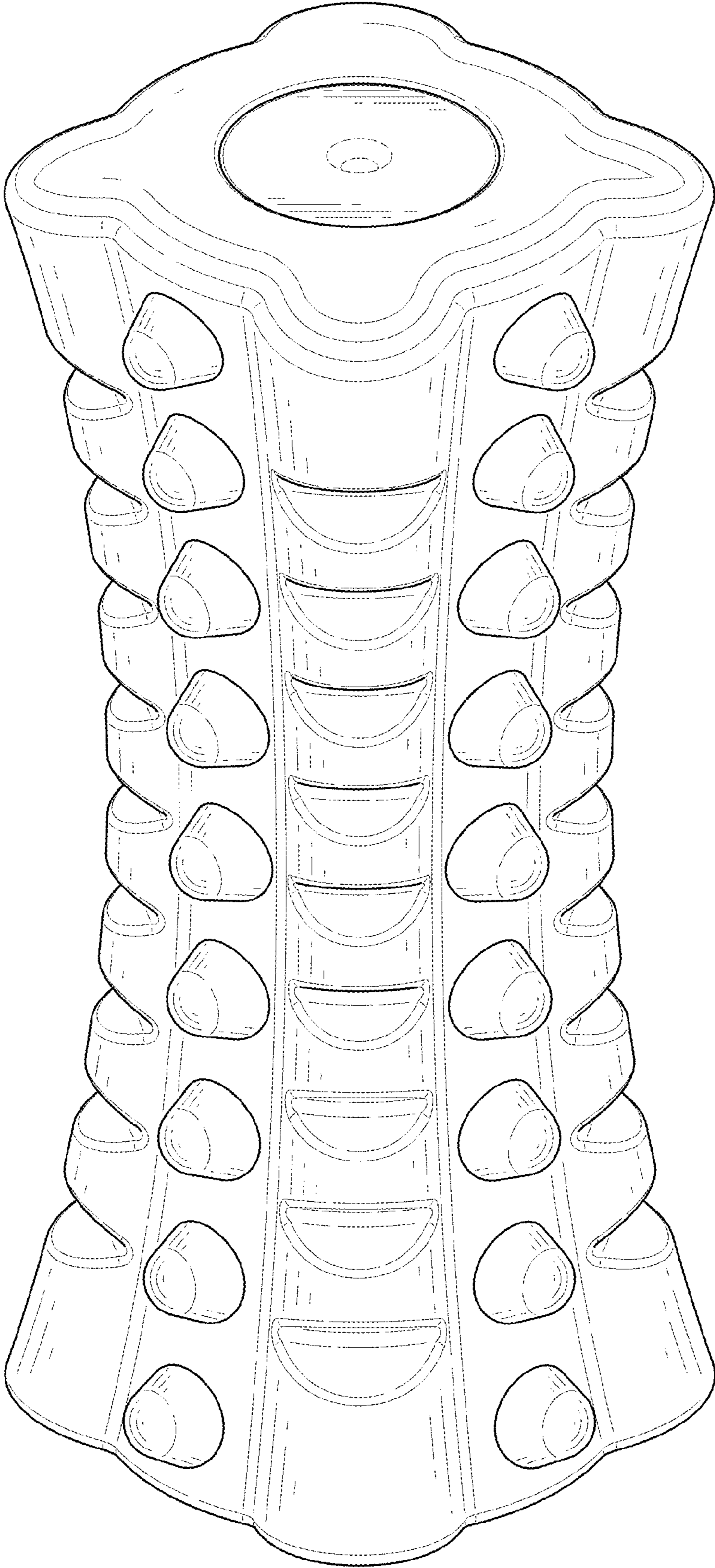


FIG. 1

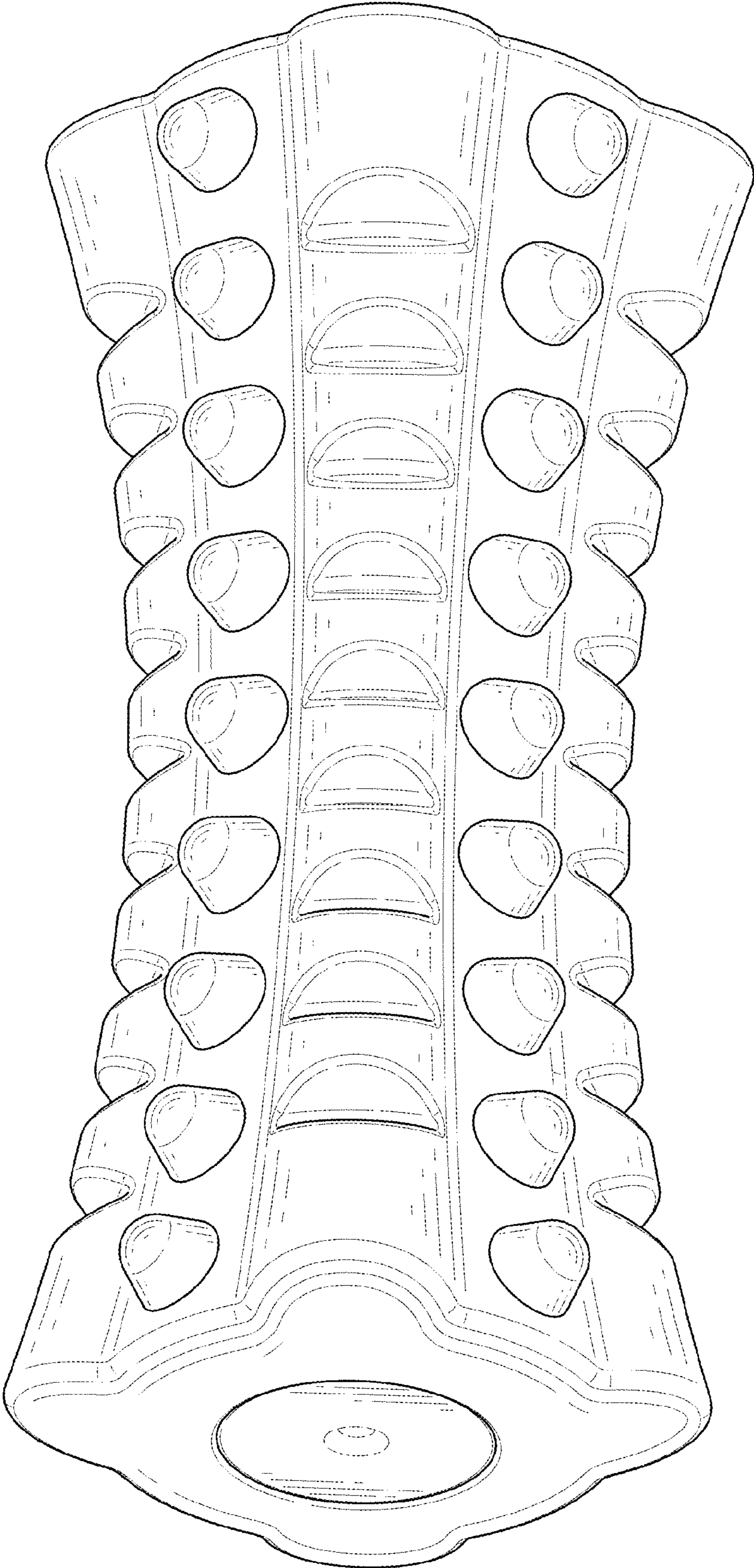


FIG. 2

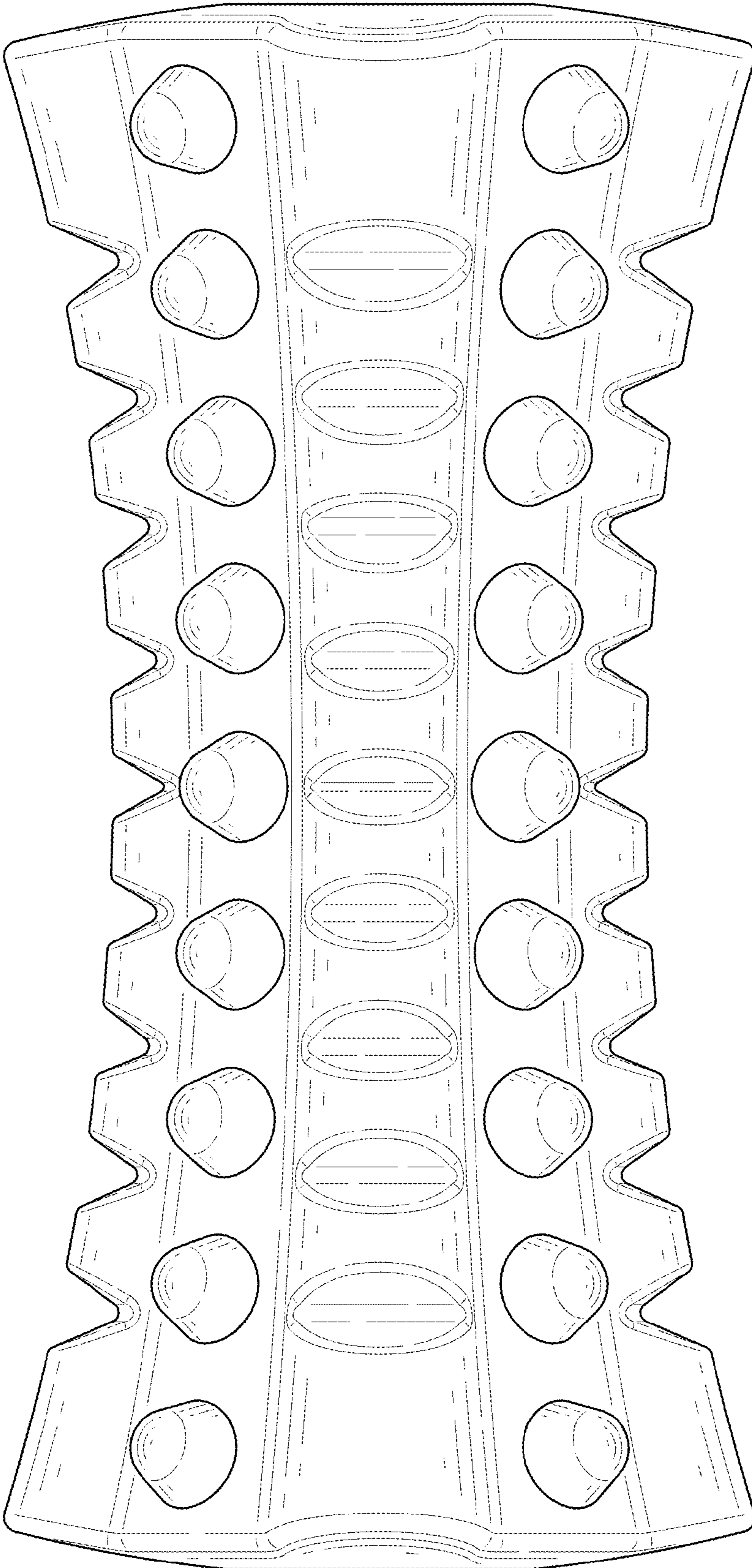


FIG. 3

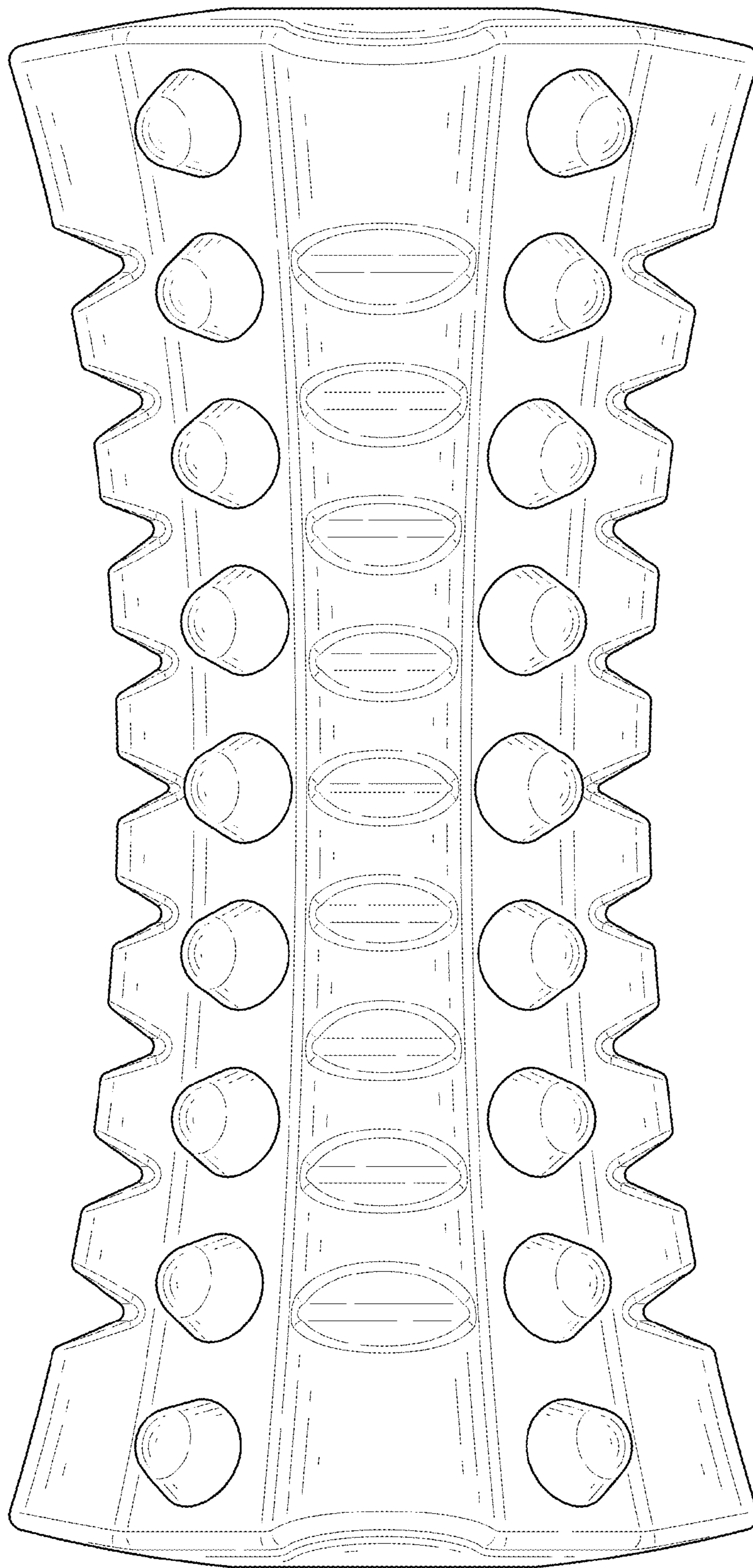


FIG. 4

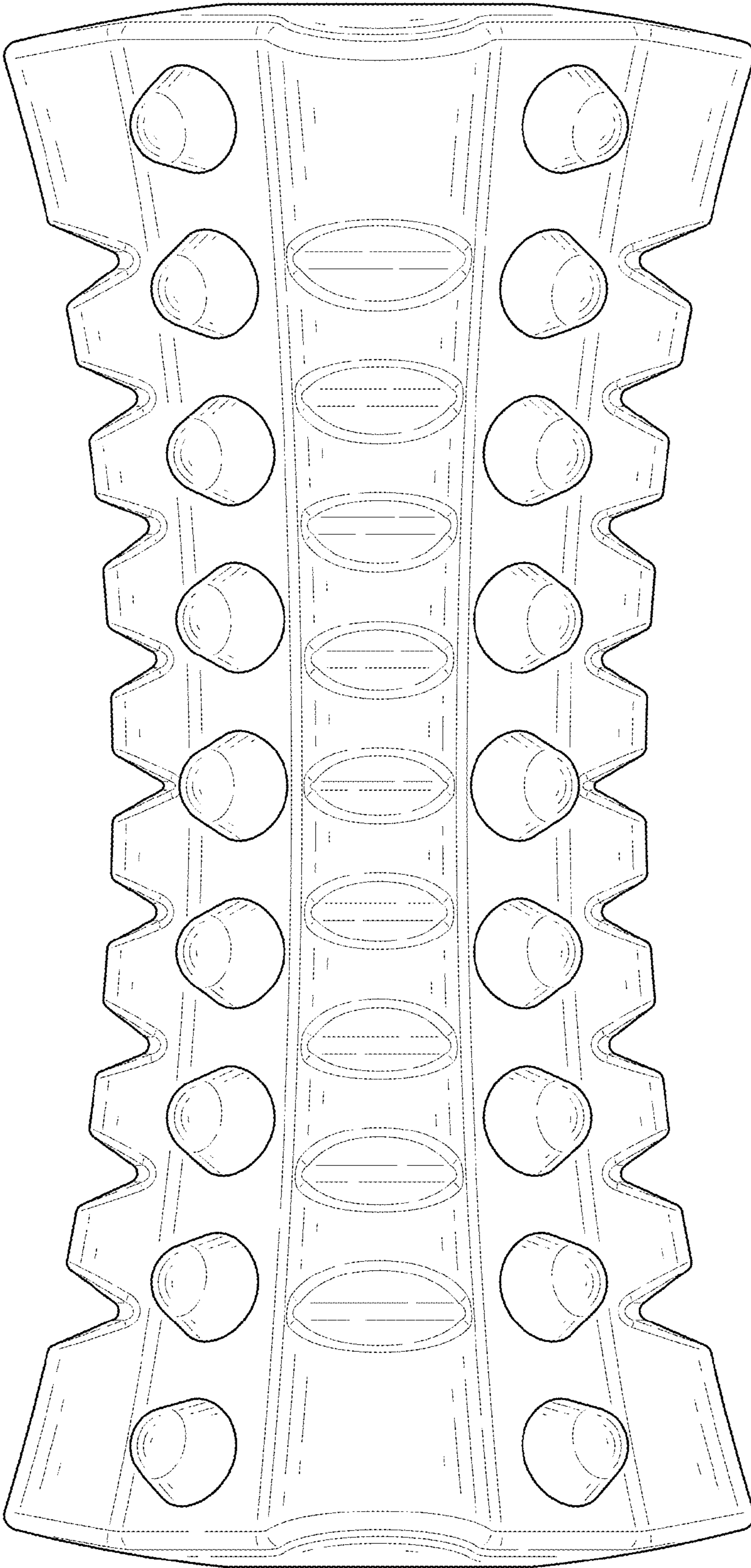


FIG. 5

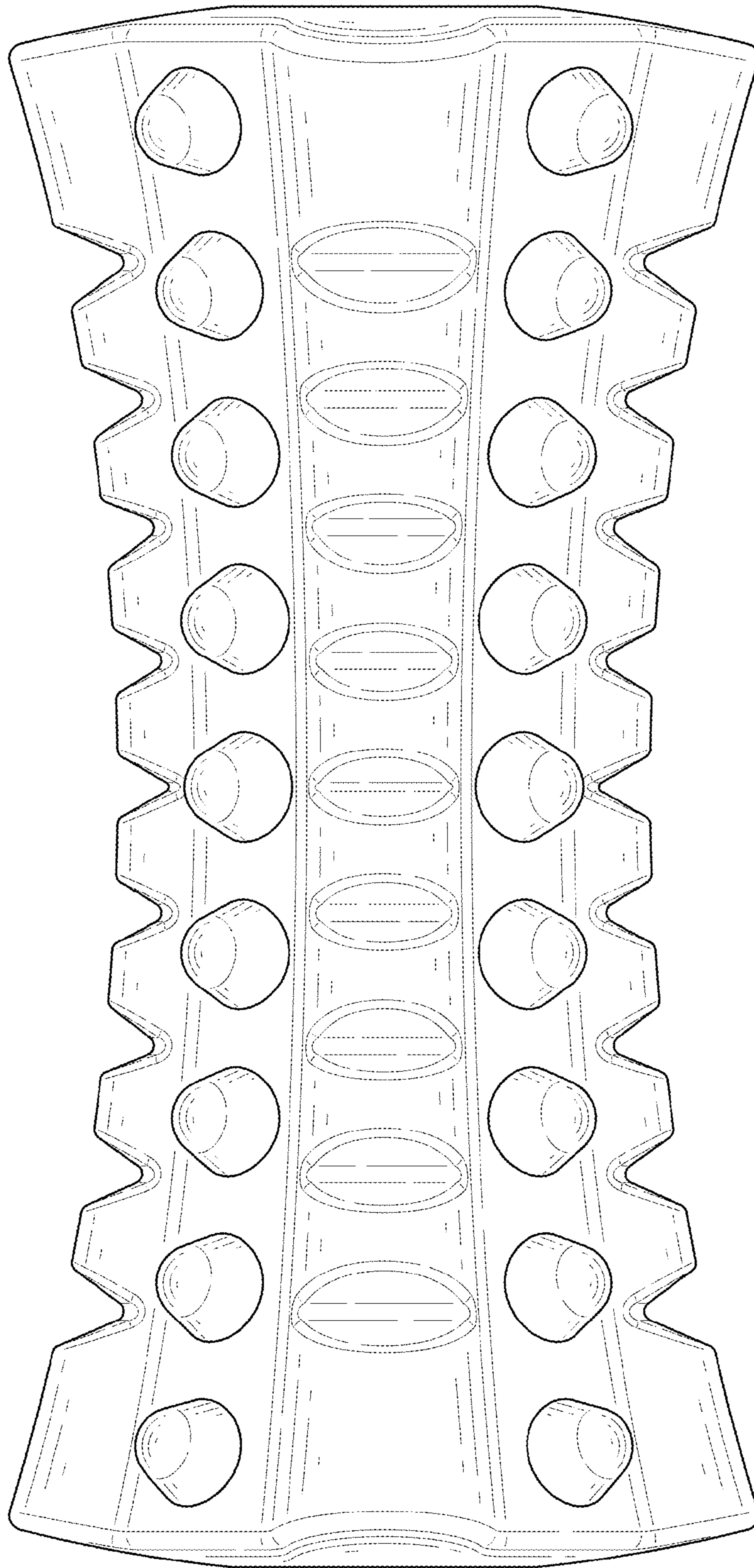


FIG. 6

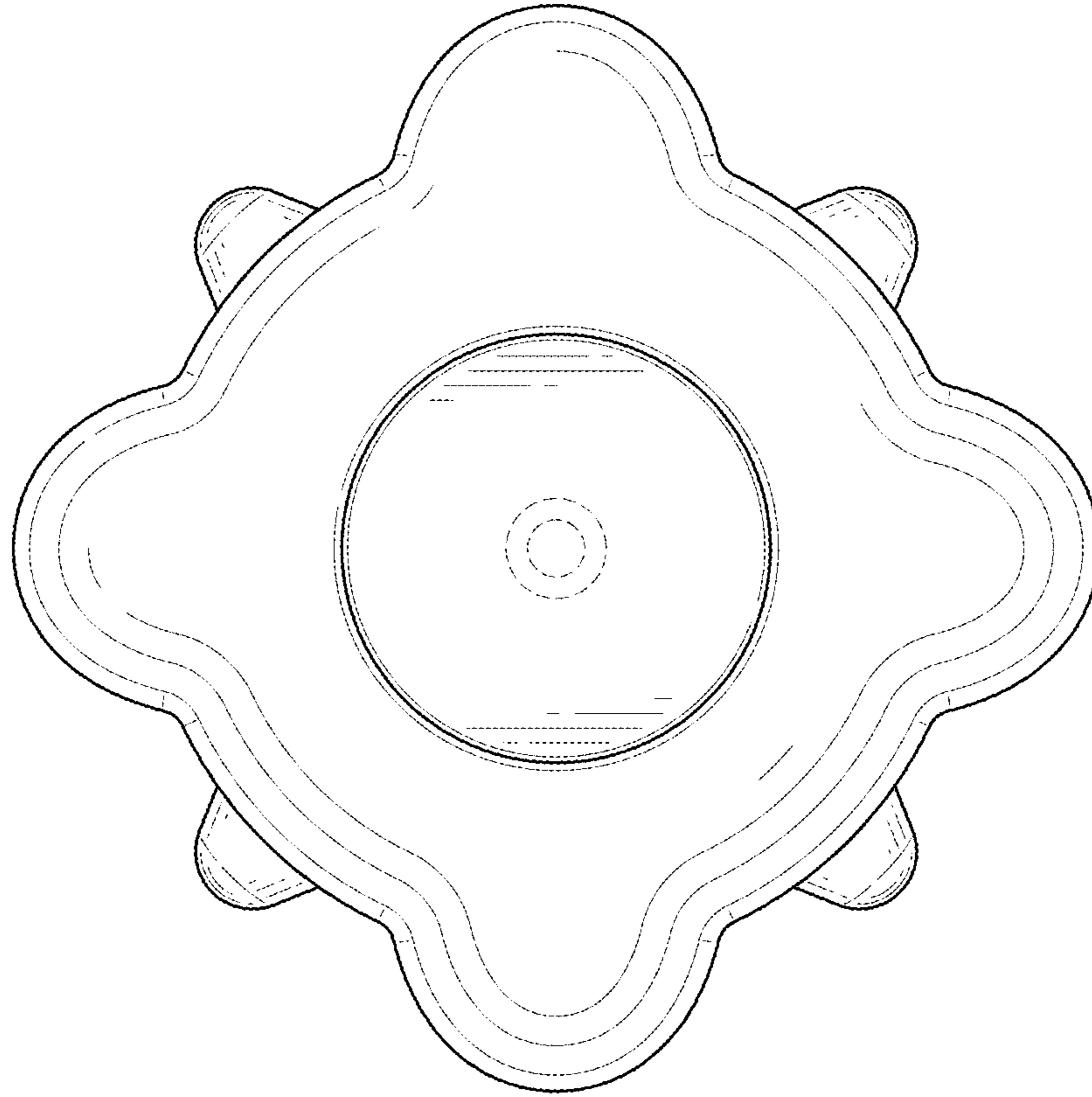


FIG. 7

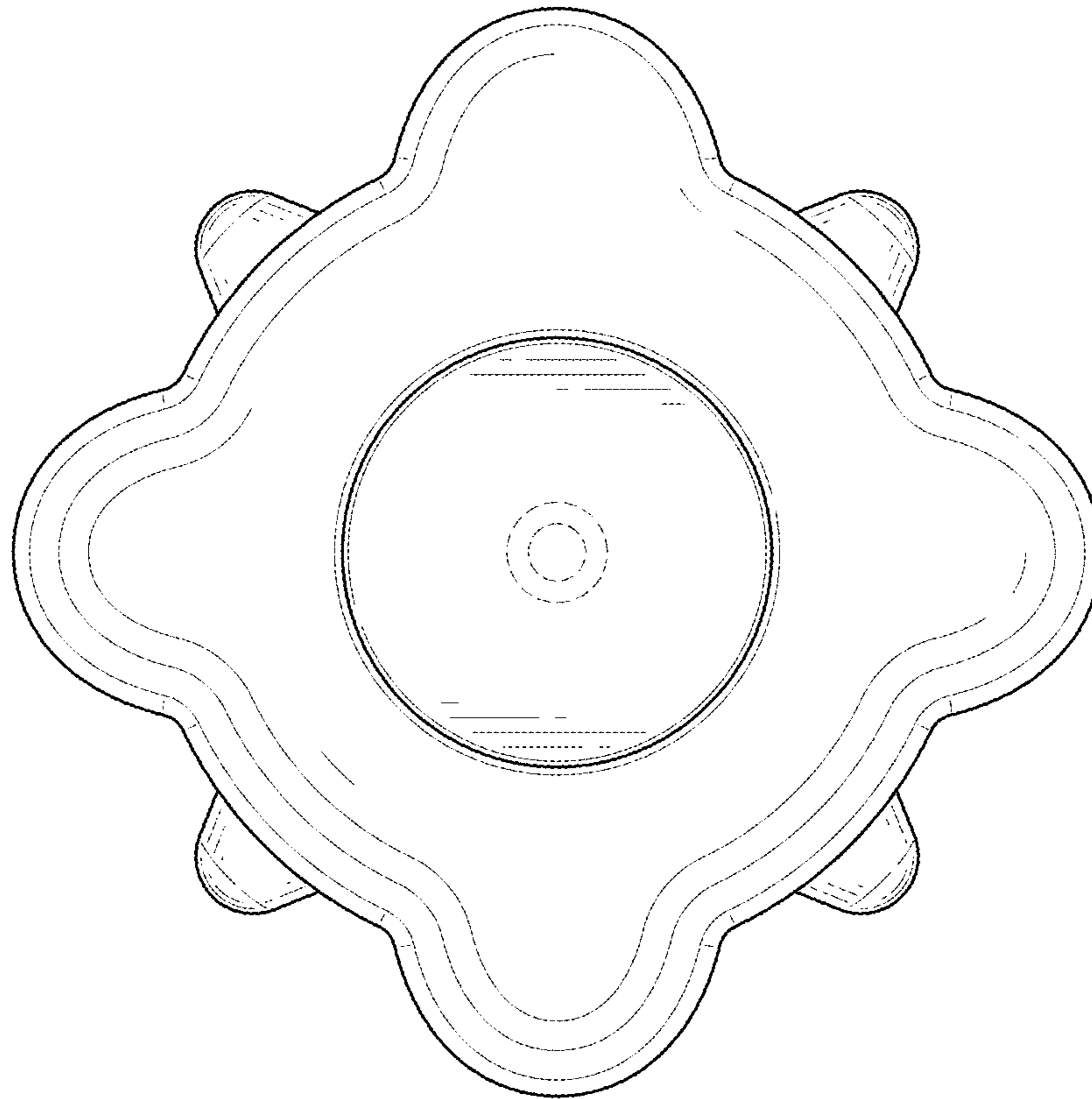


FIG. 8