



US00D887091S

(12) **United States Design Patent** (10) **Patent No.:** **US D887,091 S**
Patel (45) **Date of Patent:** **** Jun. 9, 2020**

(54) **PET BOWL HOLDER**

D848,080 S * 5/2019 Qiao D30/133
D854,759 S * 7/2019 Elliott D30/133

(71) Applicant: **Jitendra Bhavanbhai Patel**, Rolling Hills Estates, CA (US)

* cited by examiner

(72) Inventor: **Jitendra Bhavanbhai Patel**, Rolling Hills Estates, CA (US)

Primary Examiner — Michael C Stout

Assistant Examiner — Katrina N Gonzalez

(74) *Attorney, Agent, or Firm* — Anatoly S. Weiser, Esq.; IPLCounsel.com

(**) Term: **15 Years**

(57) **CLAIM**

(21) Appl. No.: **29/654,964**

The ornamental designs for a pet bowl holder, as shown and described.

(22) Filed: **Jun. 28, 2018**

DESCRIPTION

(51) **LOC (12) Cl.** **30-03**

FIG. 1 is a perspective view of the first embodiment showing a pet bowl holder.

(52) **U.S. Cl.**

USPC **D30/133**

FIG. 2 is a top plan view thereof;

(58) **Field of Classification Search**

USPC D30/121, 122, 129–133, 199; D25/119

CPC A01K 5/00

See application file for complete search history.

FIG. 3 is a bottom plan view thereof;

FIG. 4 is a front view thereof;

FIG. 5 is a rear view thereof;

FIG. 6 is a right side view thereof; and

FIG. 7 is a left side view thereof.

(56) **References Cited**

U.S. PATENT DOCUMENTS

D209,754 S * 1/1968 Robert D30/133

D252,310 S * 7/1979 Shannon D6/535

D322,211 S * 12/1991 Gary D8/373

D324,990 S * 3/1992 Gary D26/138

5,318,266 A * 6/1994 Liu A47K 1/09

248/292.12

D465,188 S * 11/2002 McCoy D12/223

D647,667 S * 10/2011 Siklosi D30/130

D659,302 S * 5/2012 Rose D30/121

D695,974 S * 12/2013 Young D30/130

D710,550 S * 8/2014 Elliott D30/133

D747,177 S * 1/2016 McGinty D8/349

D800,396 S * 10/2017 Coviello D30/133

D820,536 S * 6/2018 Nishihara D30/133

D830,647 S * 10/2018 Le D30/133

D839,019 S * 1/2019 Spencer D6/514

D846,816 S * 4/2019 Tsengas D30/133

FIG. 8 is a perspective view of the second embodiment showing a pet bowl holder.

FIG. 9 is a top plan view thereof;

FIG. 10 is a bottom plan view thereof;

FIG. 11 is a front view thereof;

FIG. 12 is a rear view thereof;

FIG. 13 is a right side view thereof; and

FIG. 14 is a left side view thereof.

FIG. 15 is a perspective view of the third embodiment showing a pet bowl holder.

FIG. 16 is a top plan view thereof;

FIG. 17 is a bottom plan view thereof;

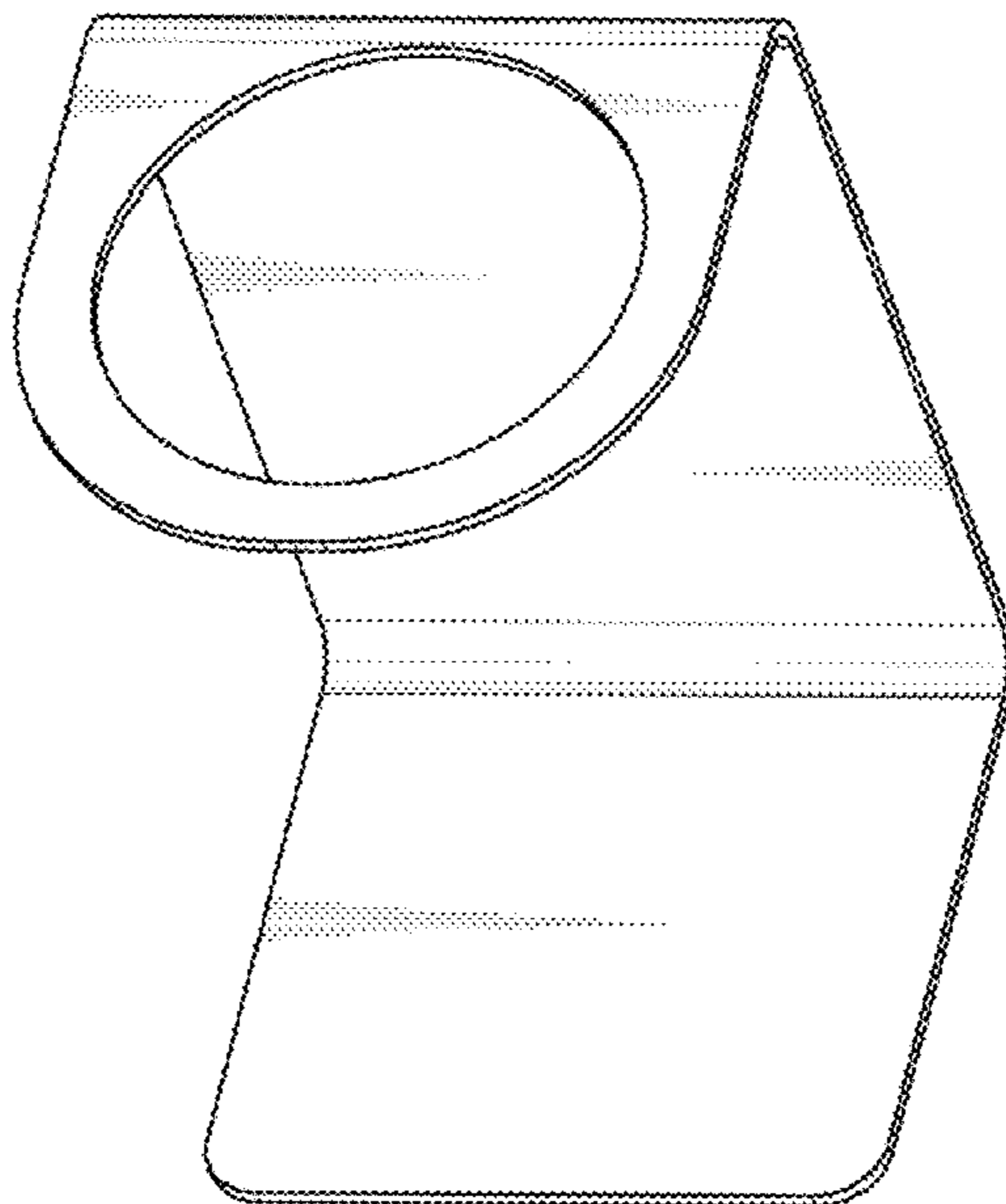
FIG. 18 is a front view thereof;

FIG. 19 is a rear view thereof;

FIG. 20 is a right side view thereof; and,

FIG. 21 is a left side view thereof.

1 Claim, 10 Drawing Sheets



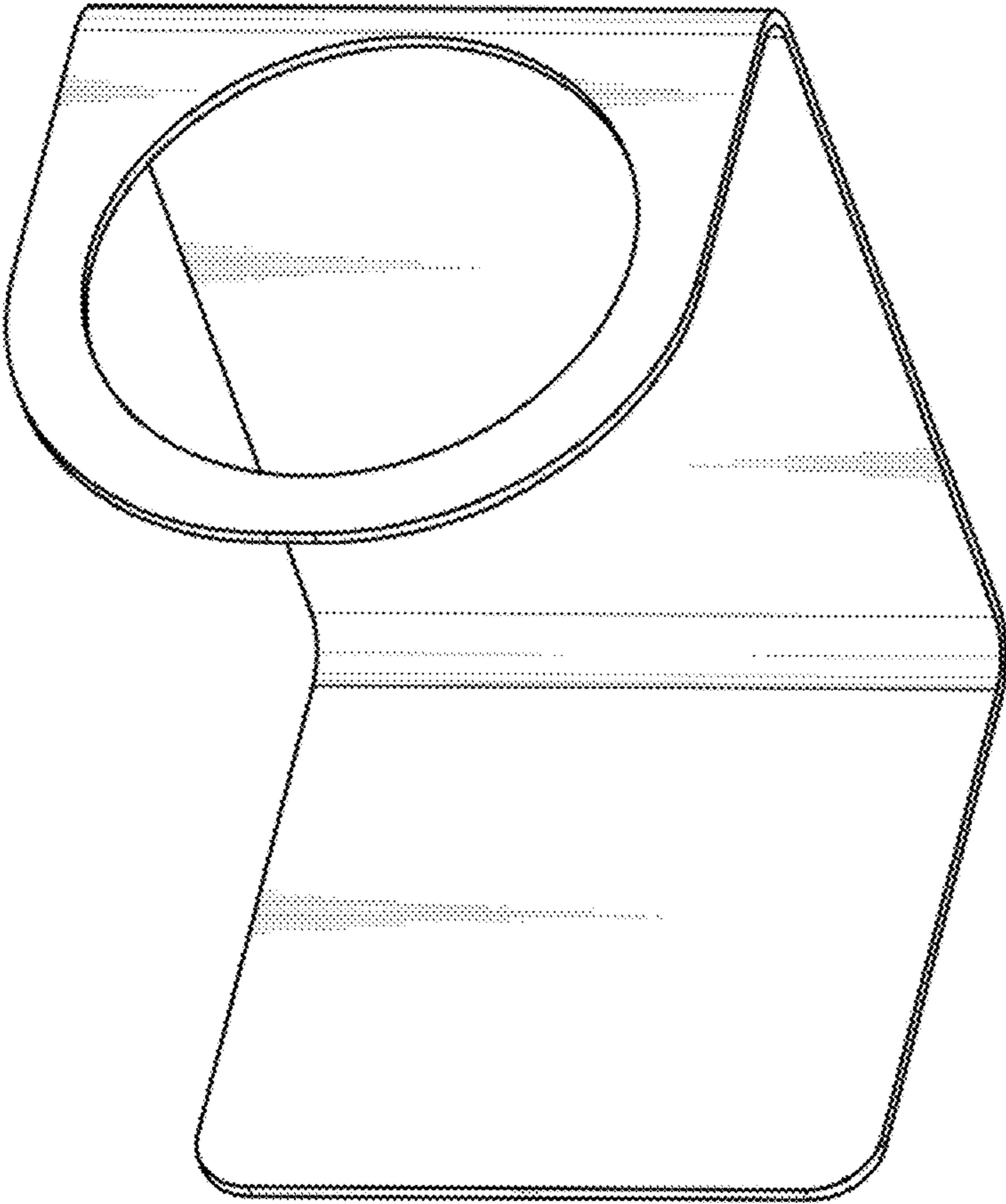


FIG. 1

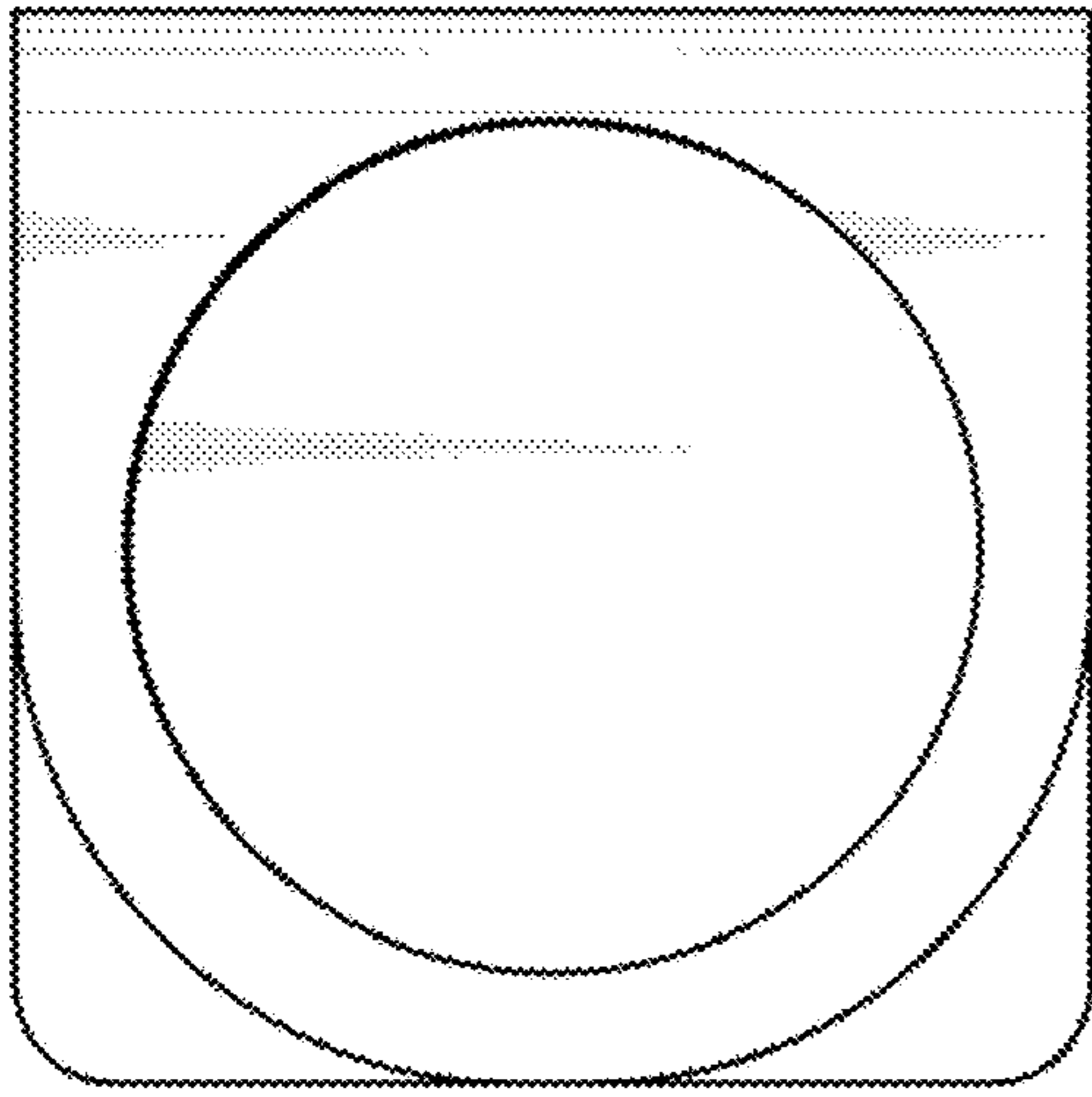


FIG. 2

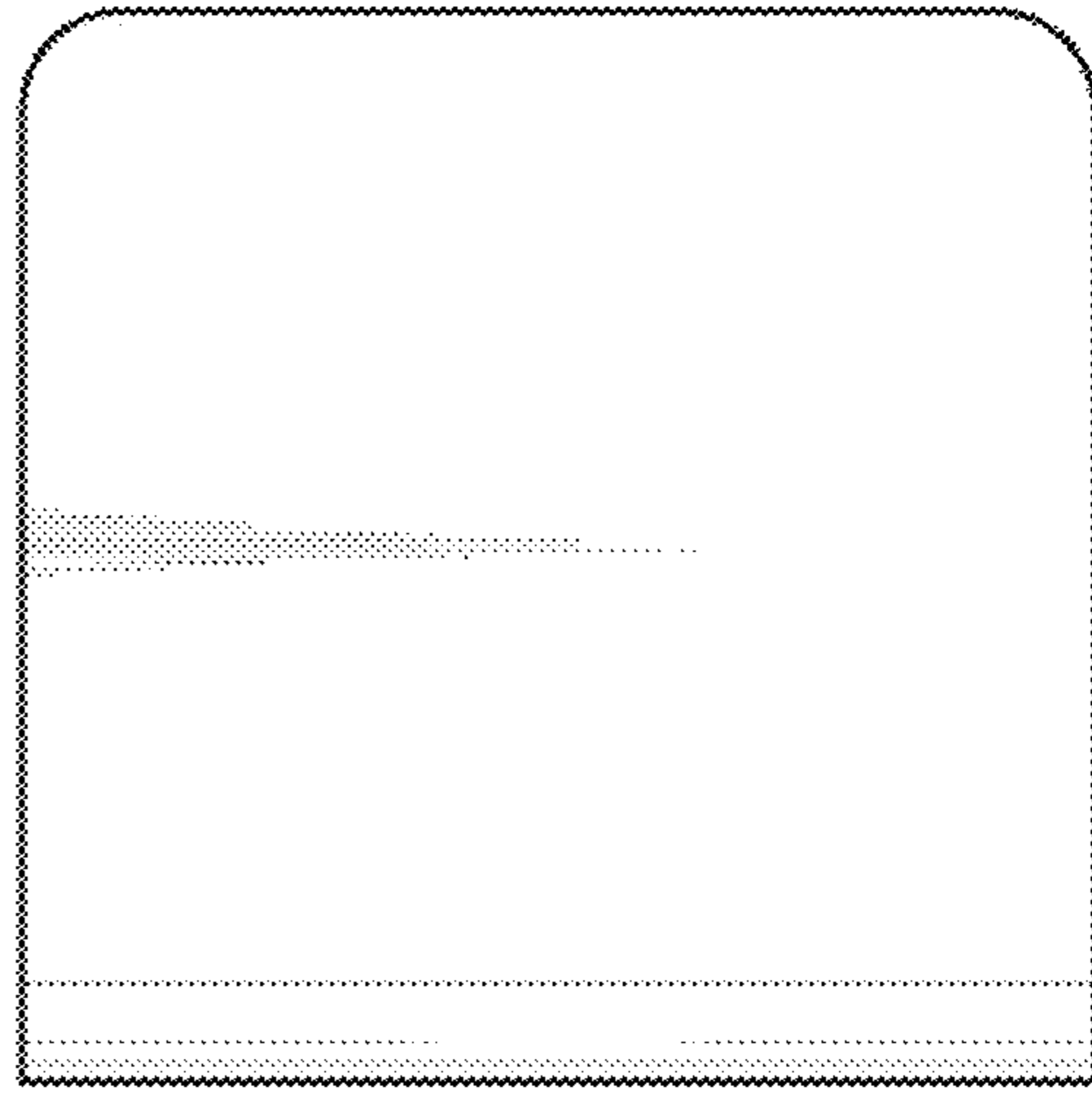


FIG. 3

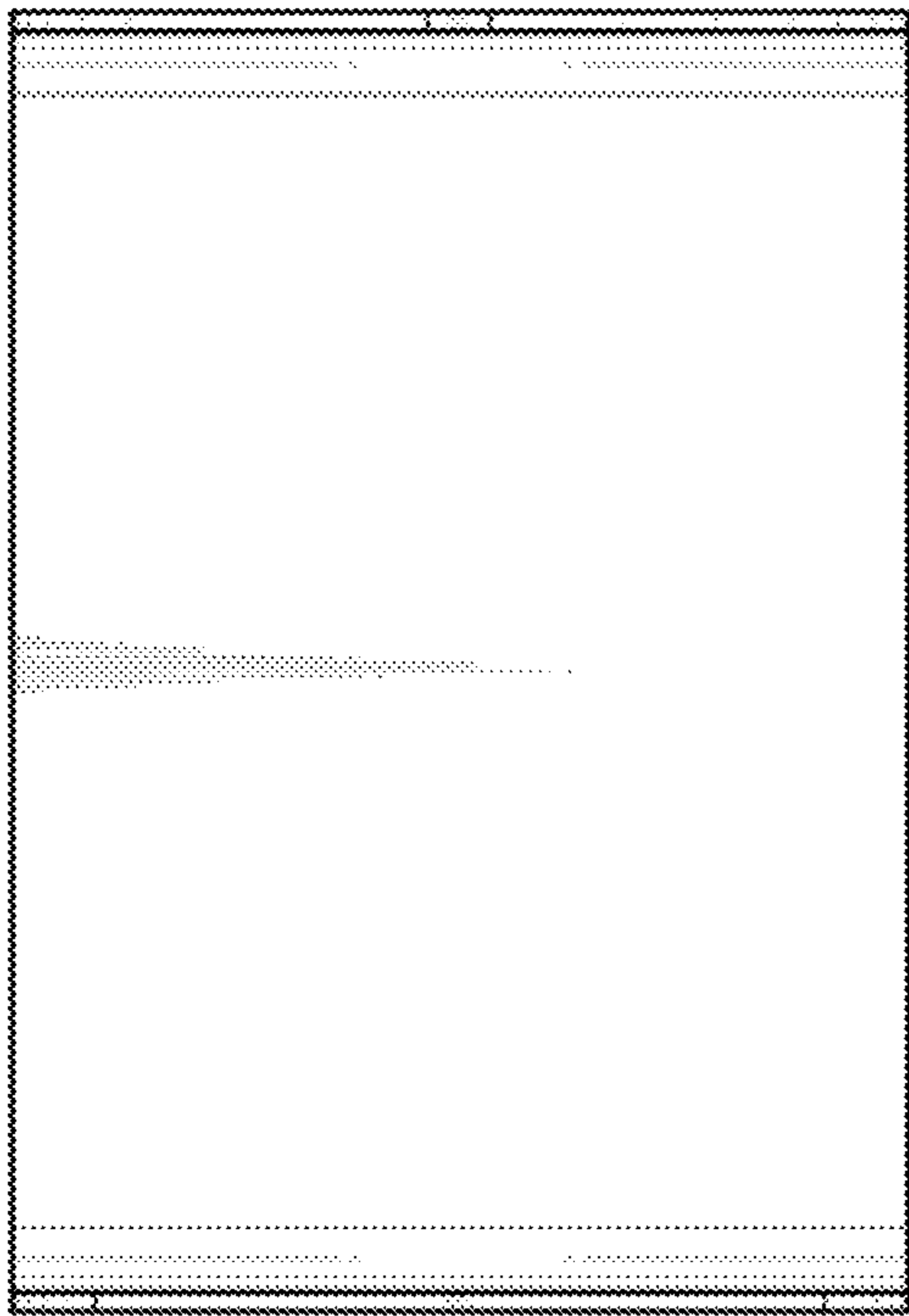


FIG. 4

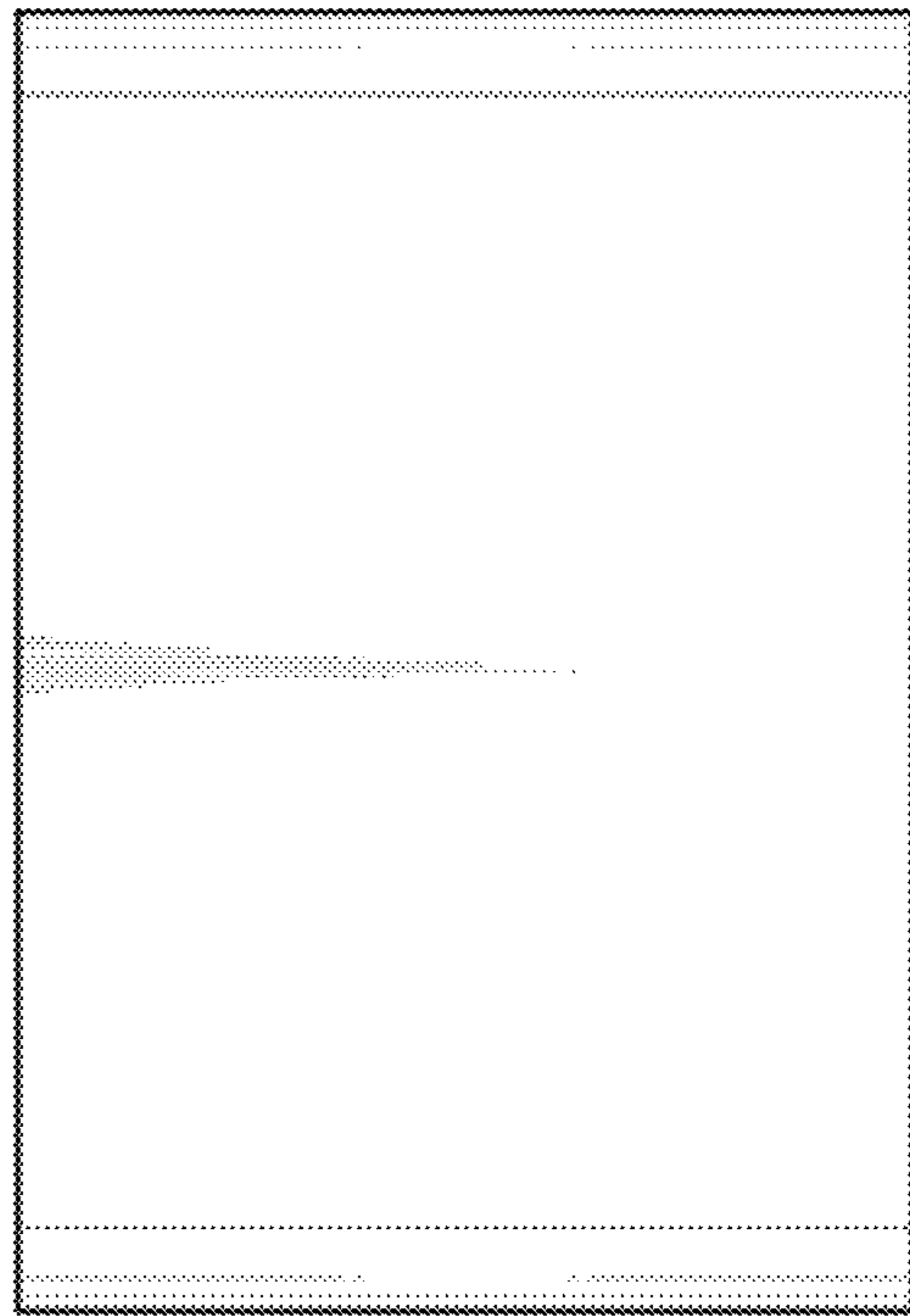


FIG. 5



FIG. 6

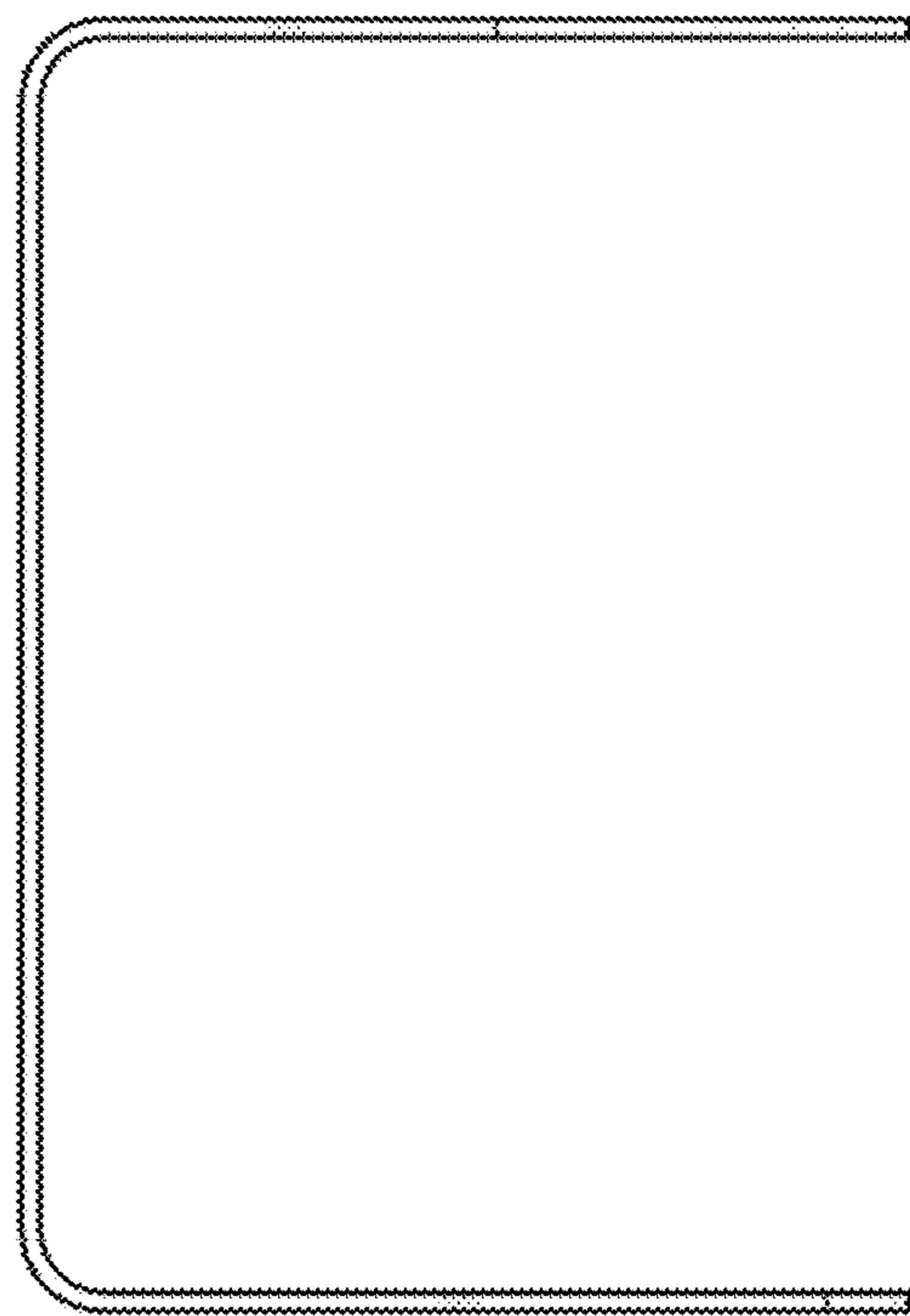


FIG. 7

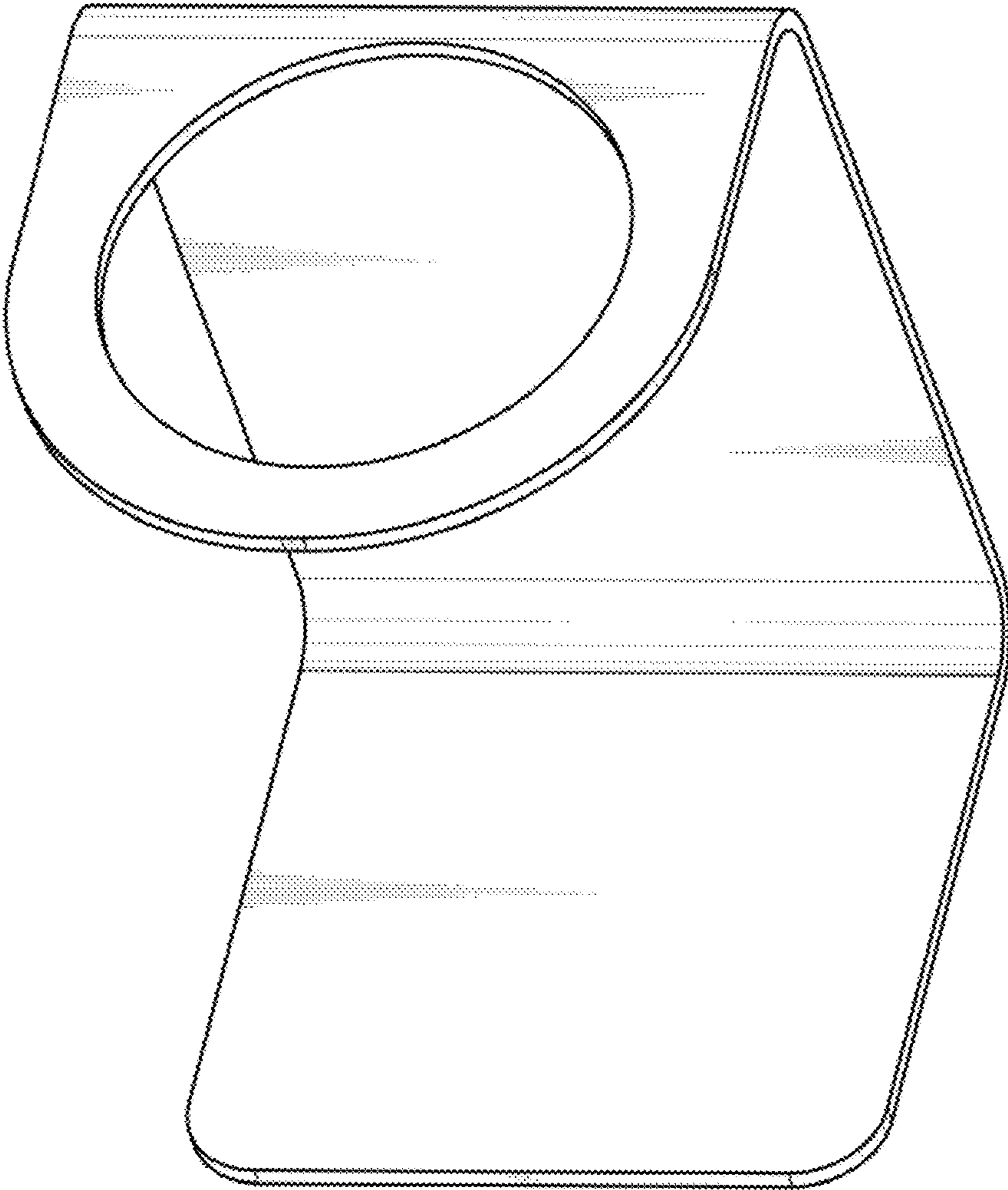


FIG. 8

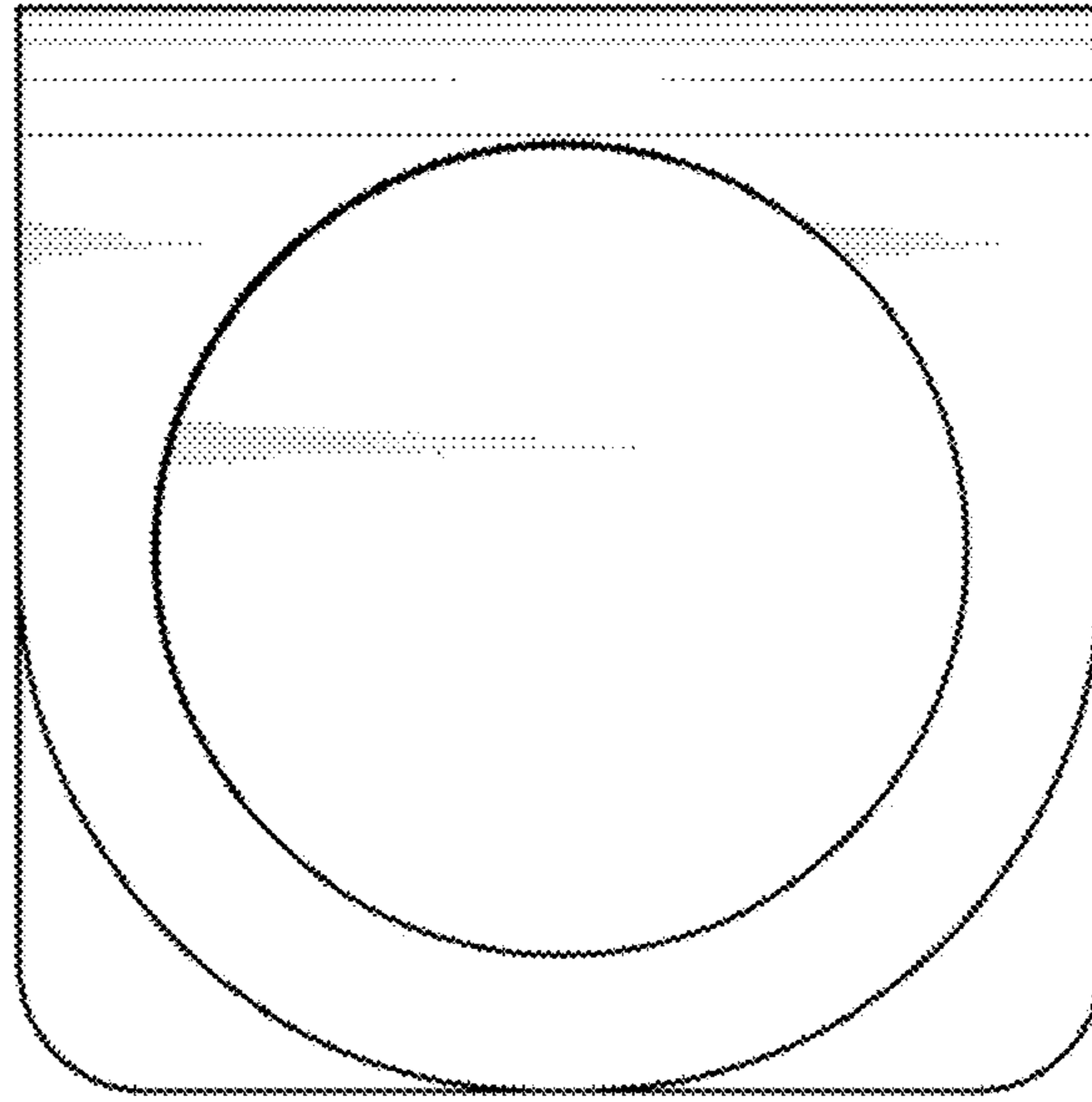


FIG. 9

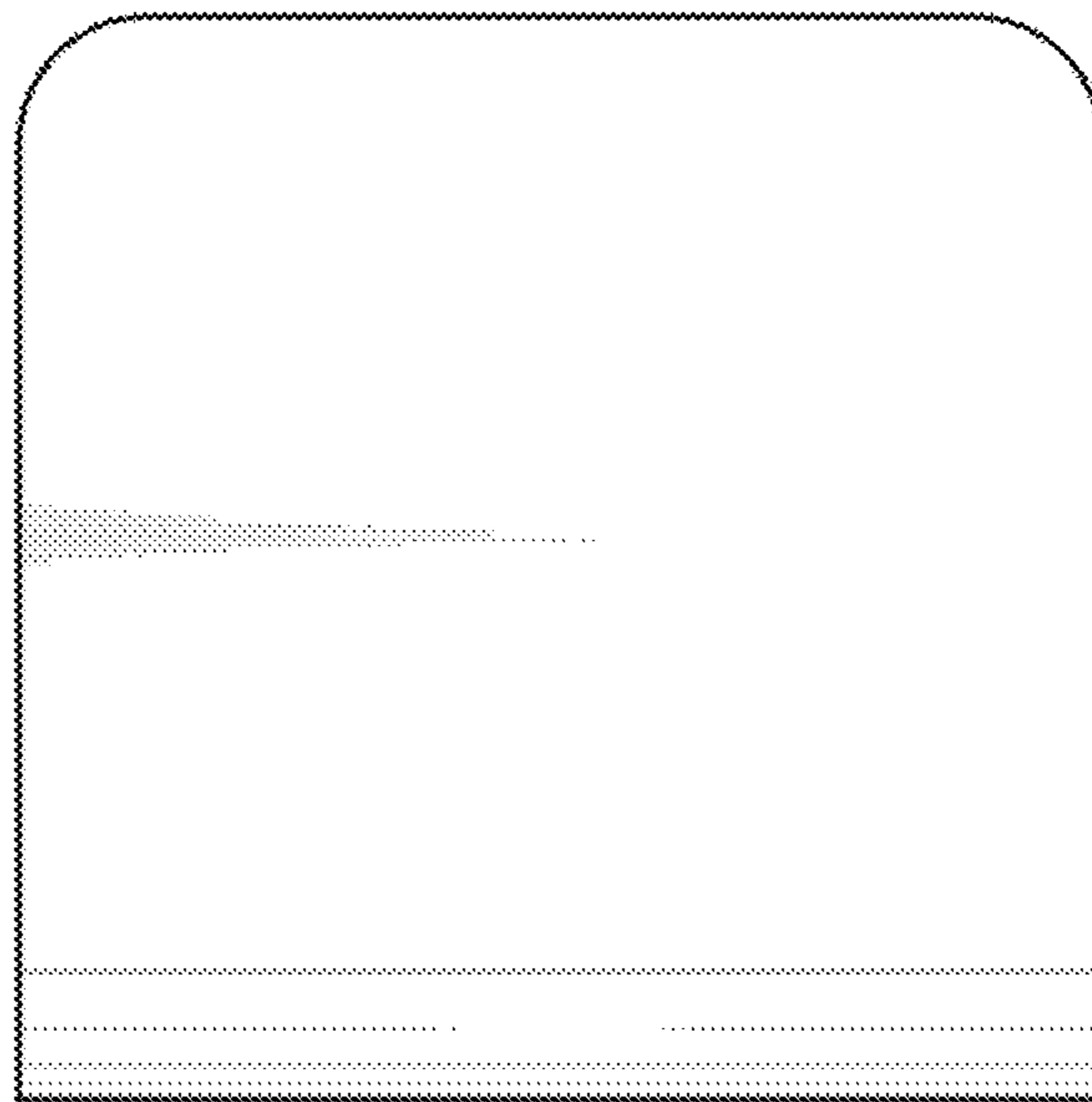


FIG. 10

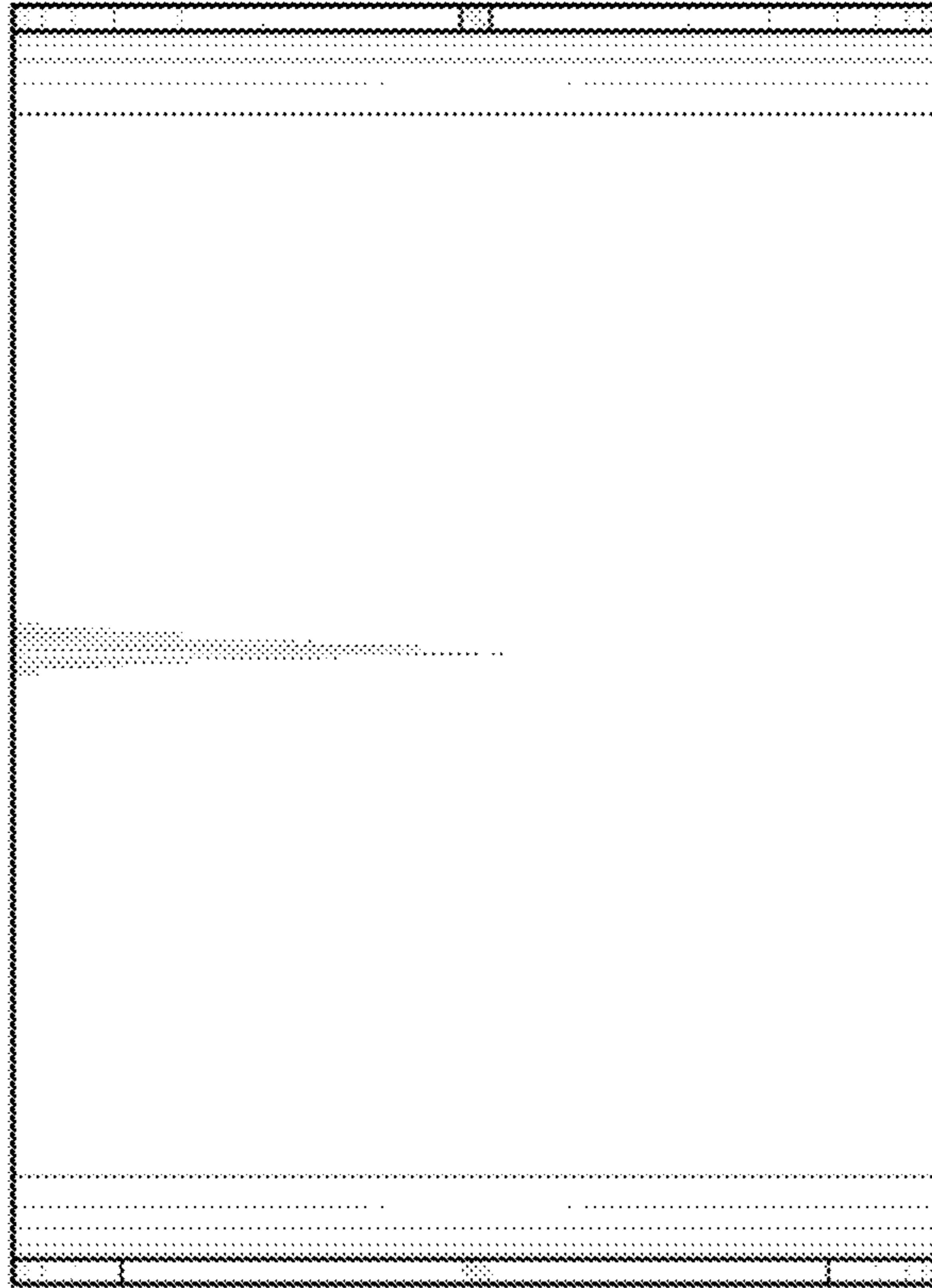


FIG. 11

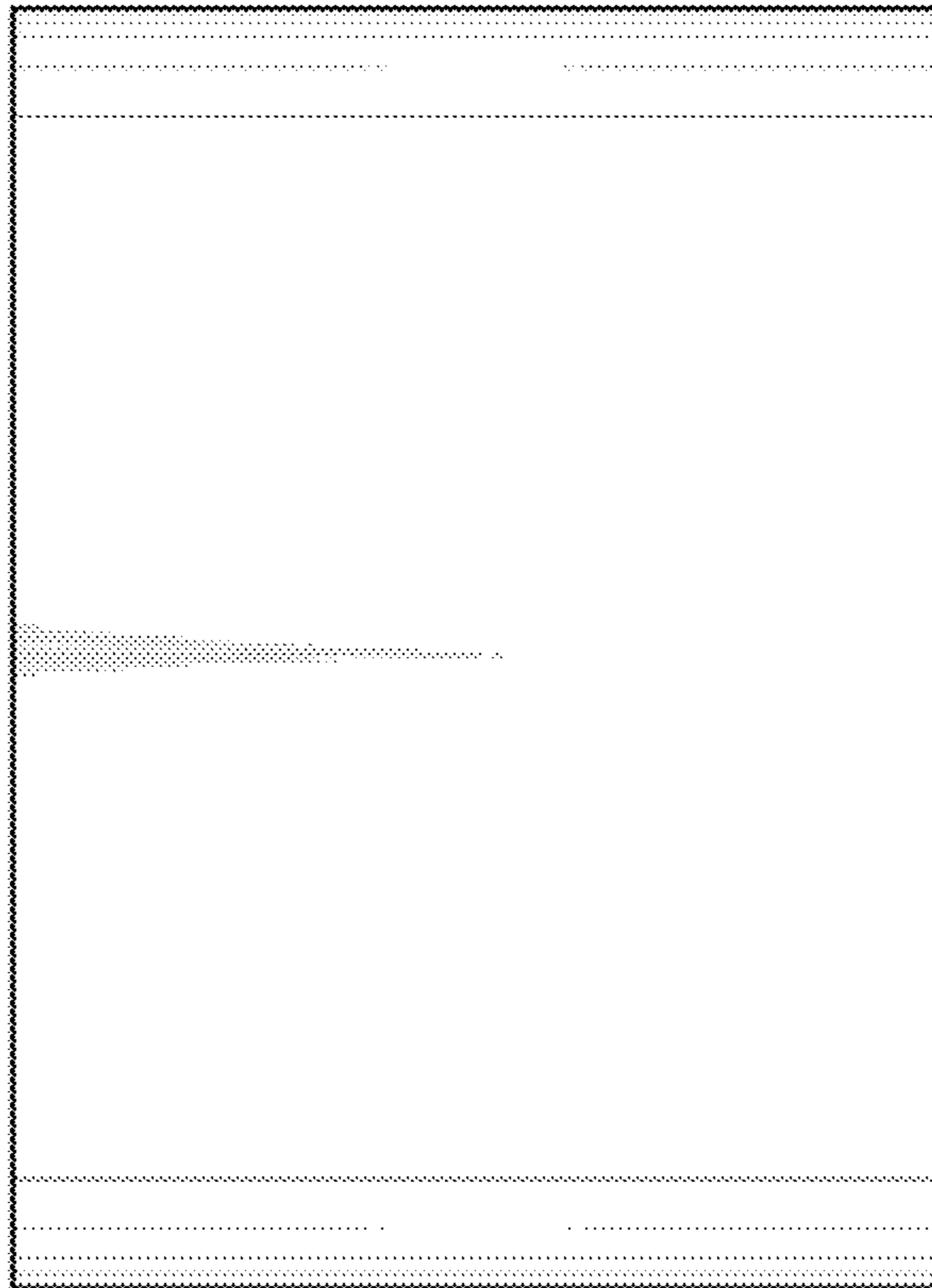


FIG. 12

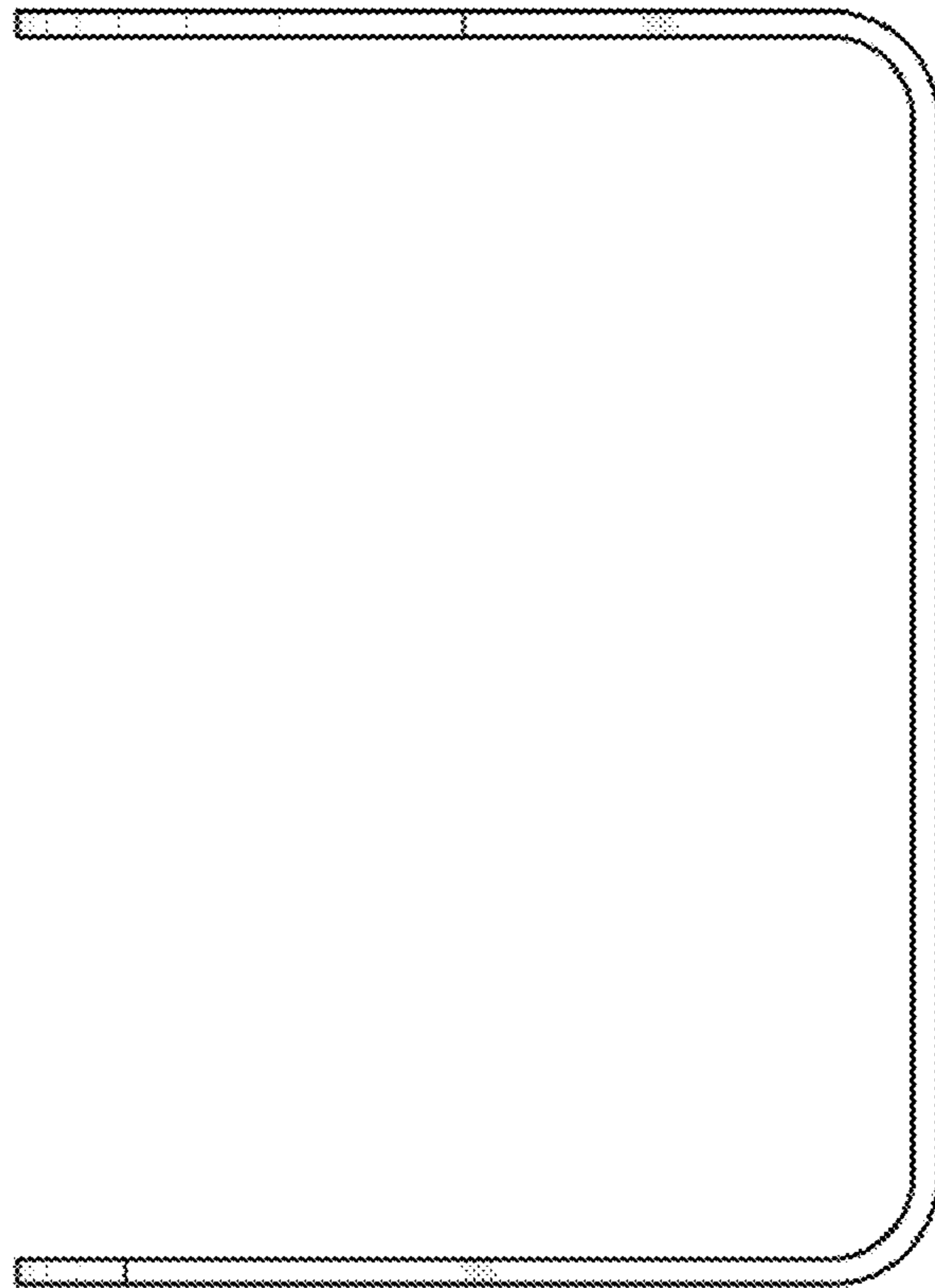


FIG. 13

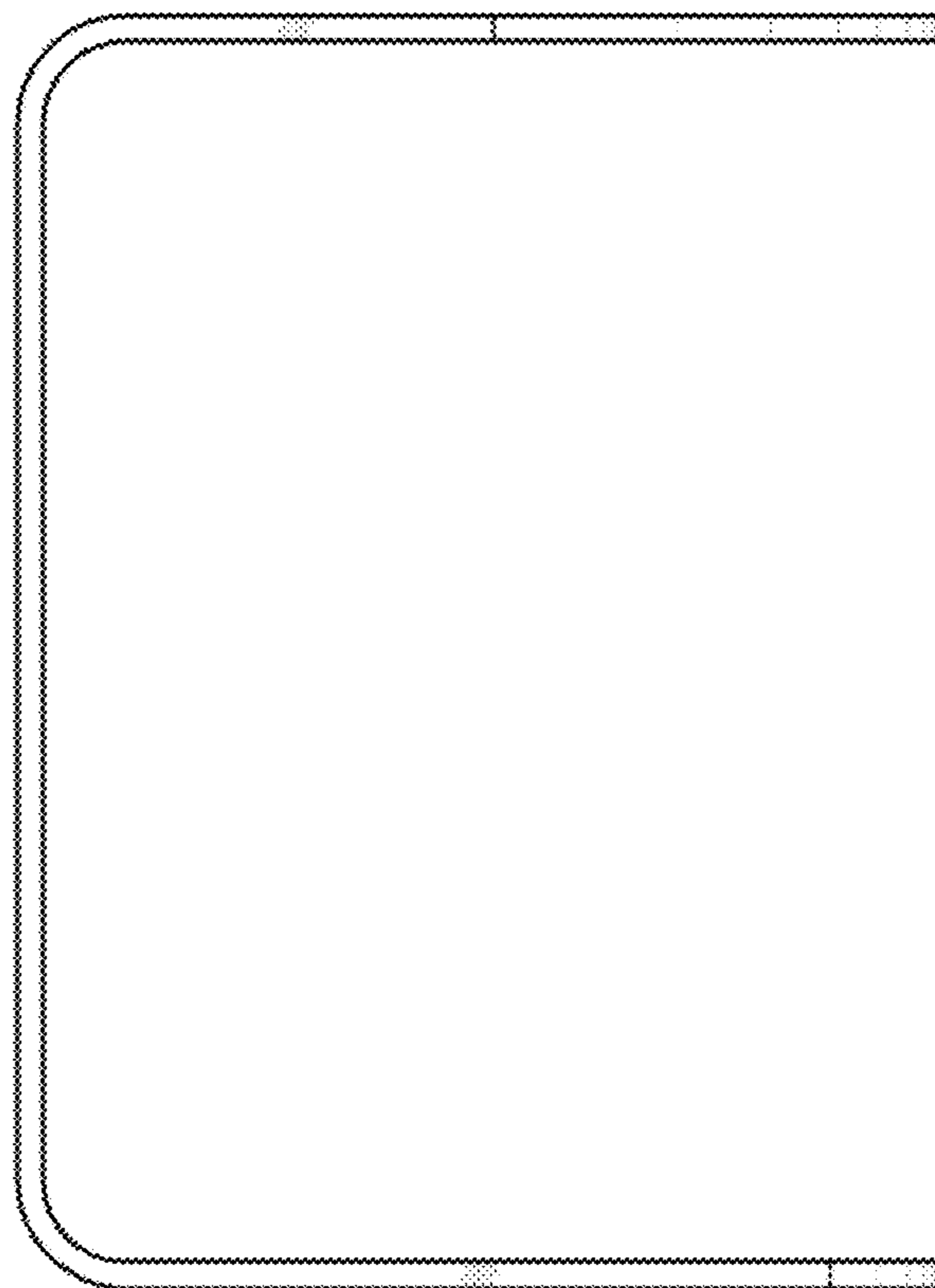


FIG. 14

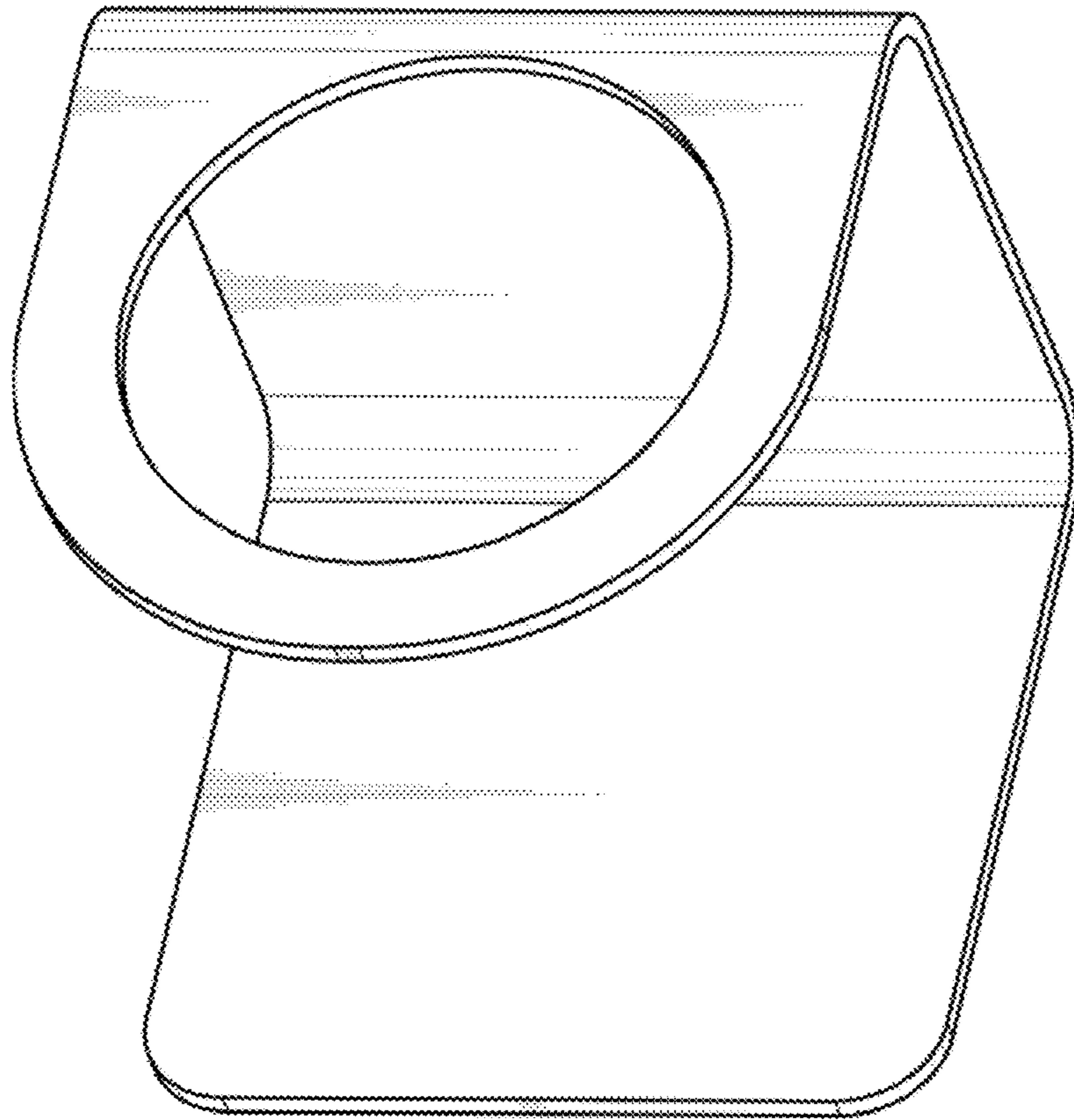


FIG. 15

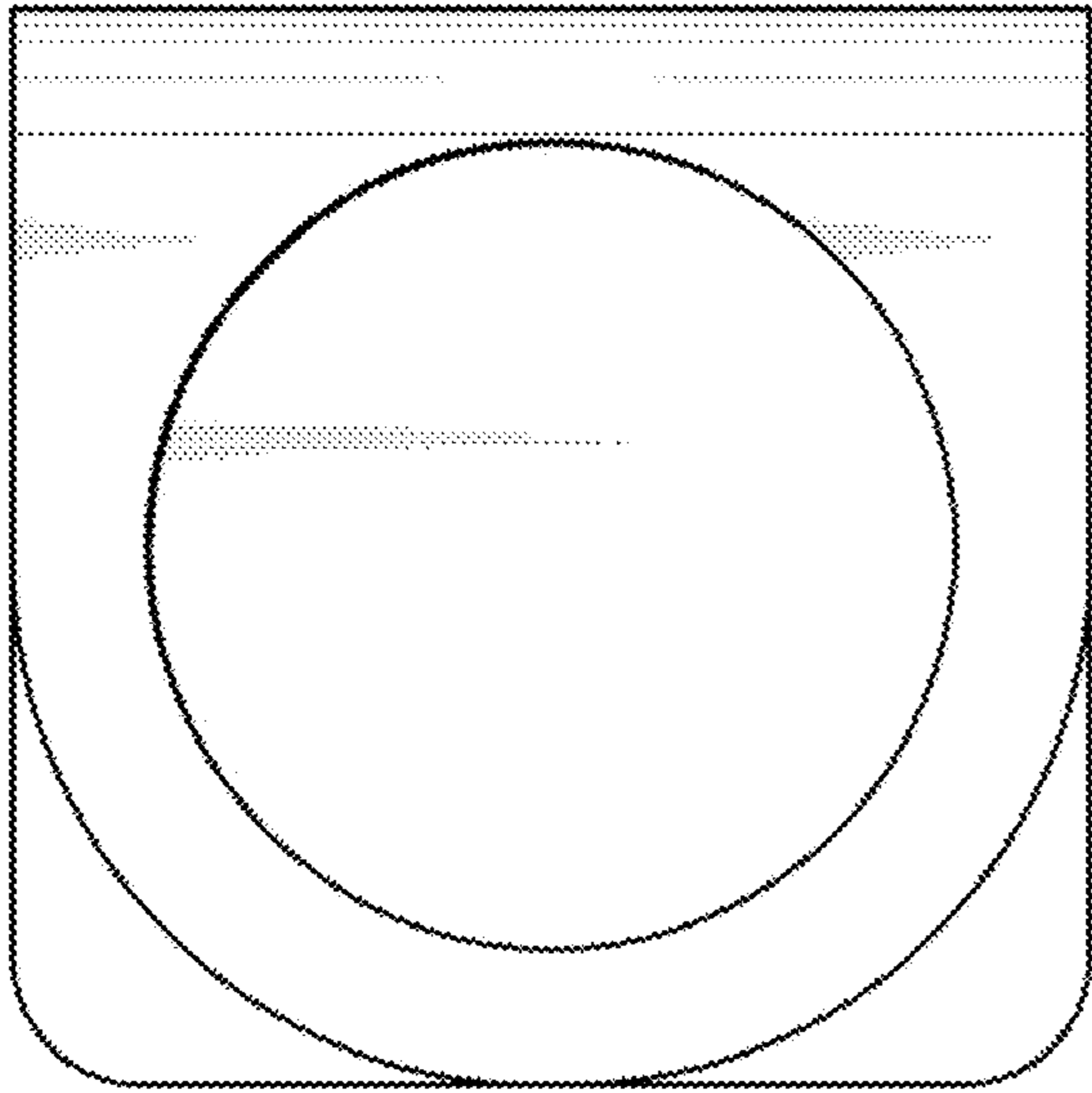


FIG. 16

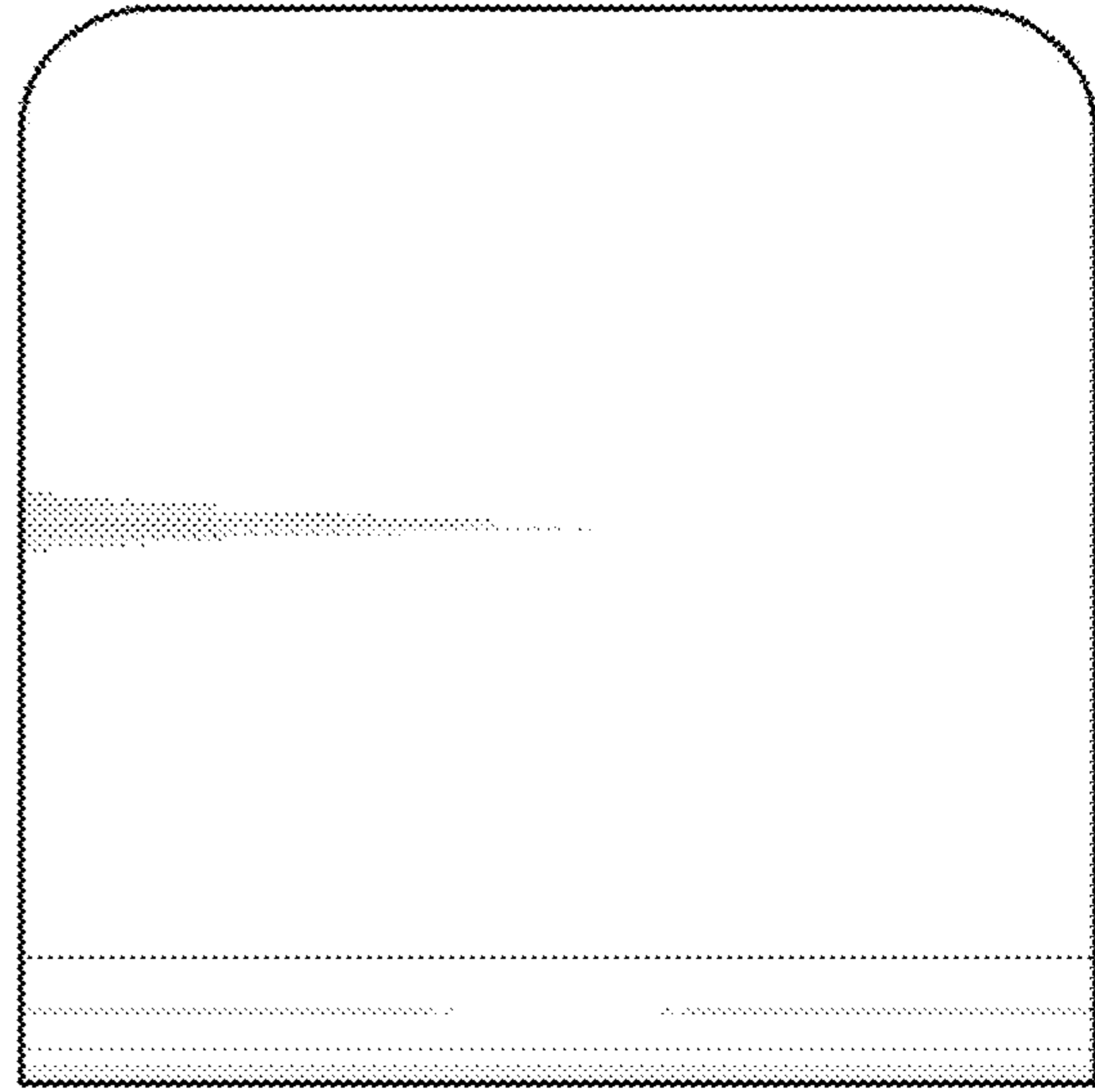


FIG. 17

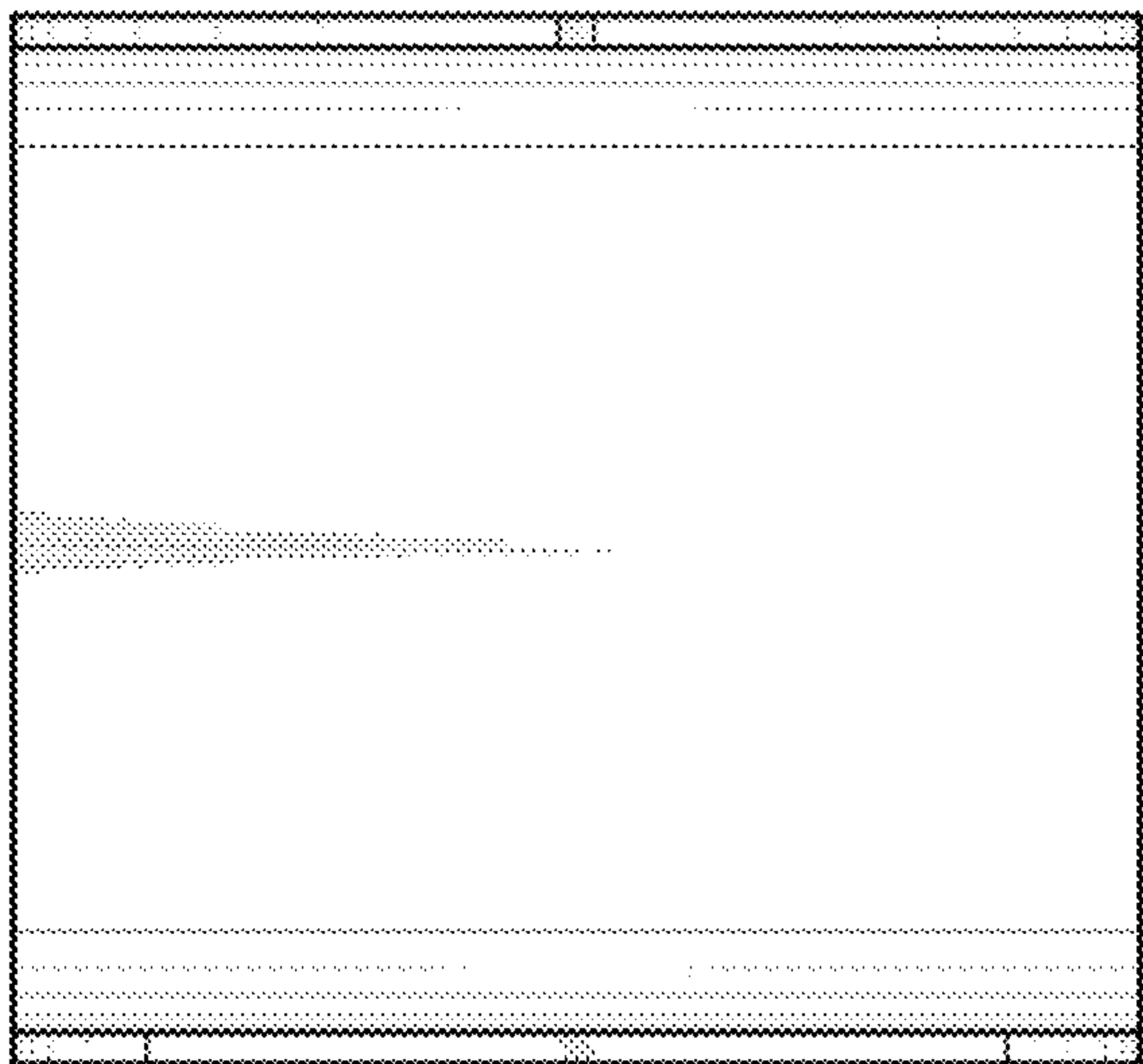


FIG. 18

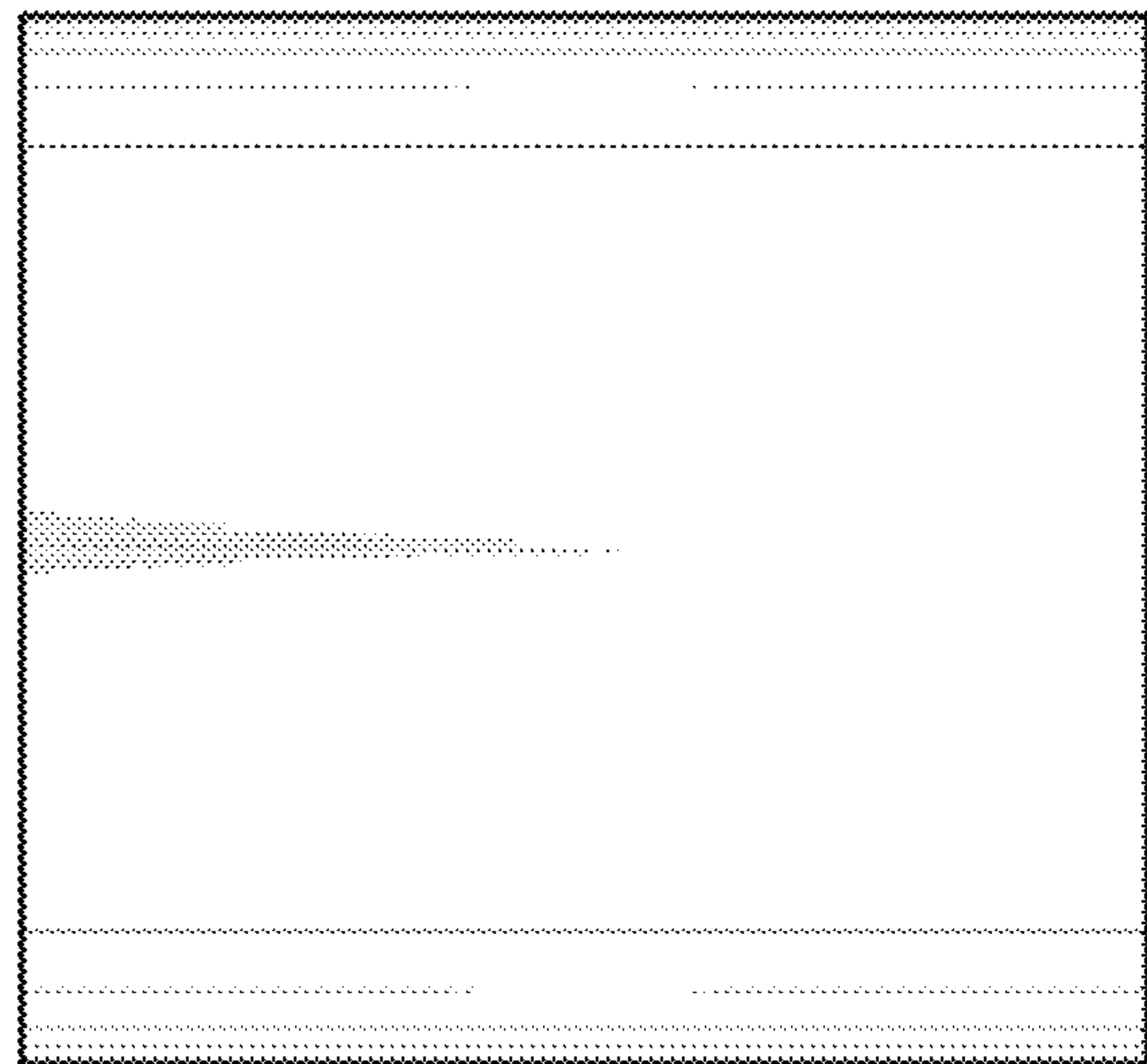


FIG. 19

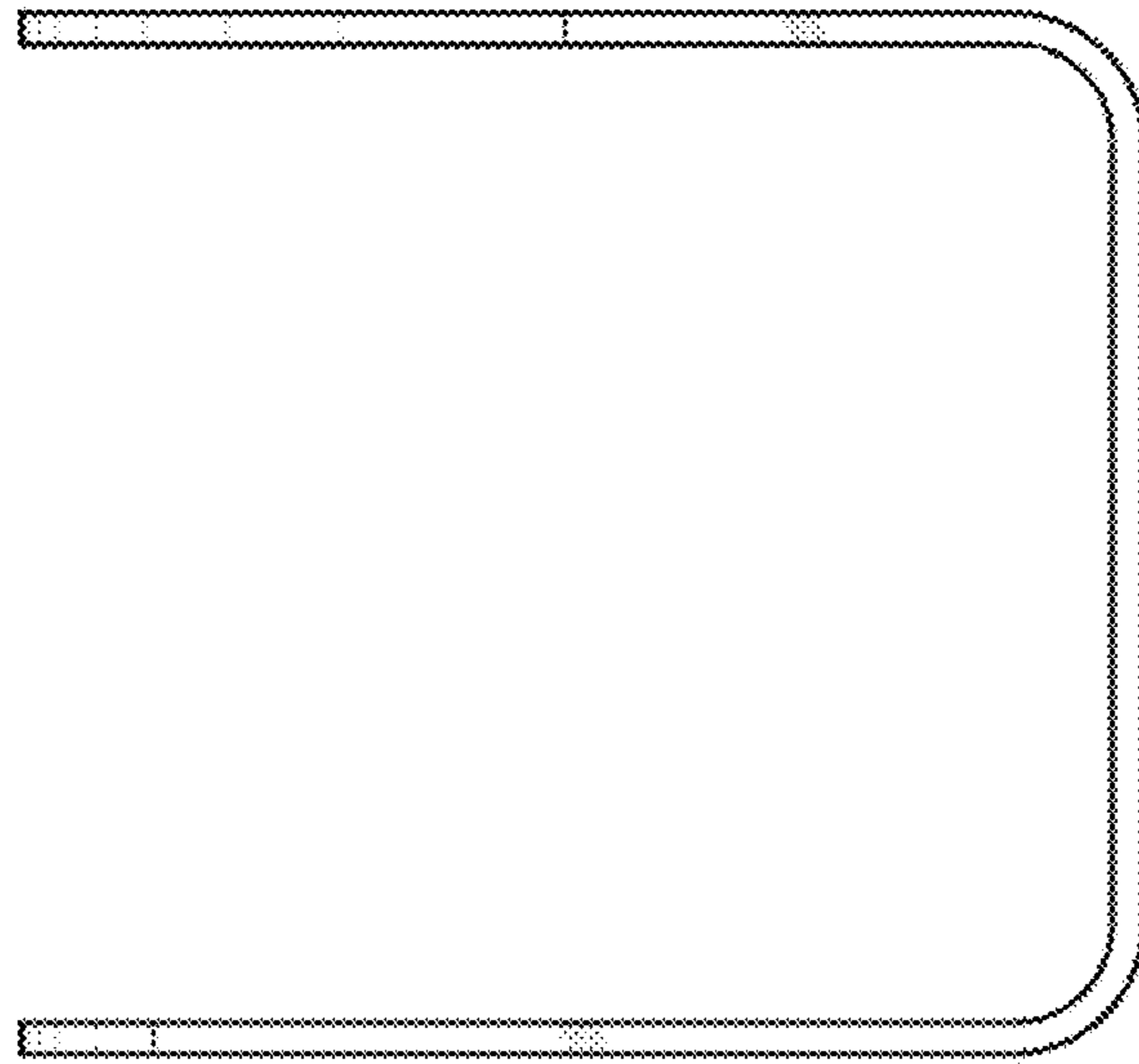


FIG. 20

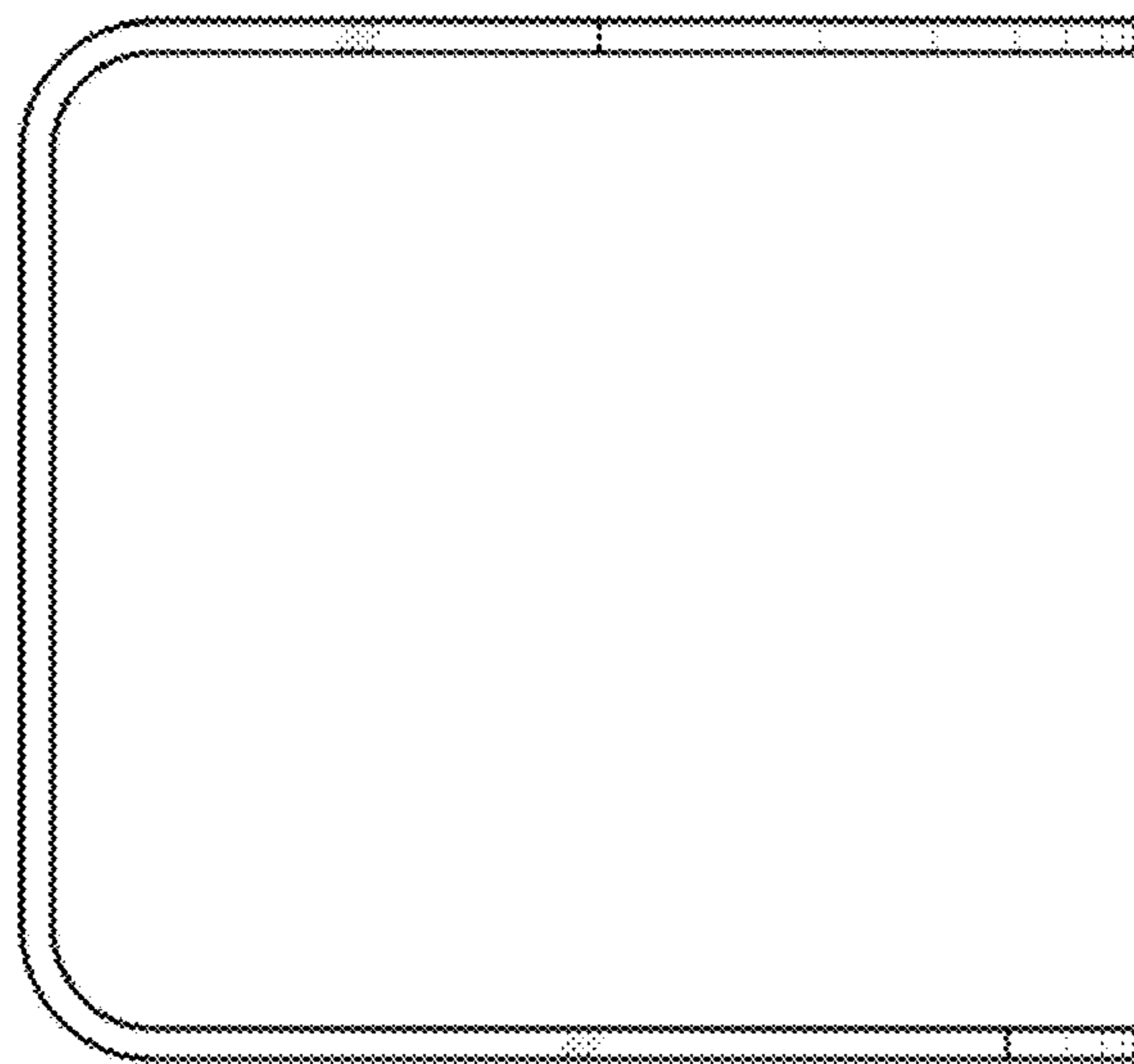


FIG. 21