



US00D887090S

(12) **United States Design Patent**
Price

(10) **Patent No.:** **US D887,090 S**
(45) **Date of Patent:** **** Jun. 9, 2020**

- (54) **BOTTLE**
- (71) Applicant: **David H. Price**, Knoxville, TN (US)
- (72) Inventor: **David H. Price**, Knoxville, TN (US)
- (**) Term: **15 Years**
- (21) Appl. No.: **29/651,989**
- (22) Filed: **Aug. 19, 2019**
- (51) **LOC (12) Cl.** **30-03**
- (52) **U.S. Cl.**
USPC **D30/132; D30/121**
- (58) **Field of Classification Search**
USPC D30/121, 122, 129-133; D9/435, 440,
D9/443, 516, 522, 528, 531, 545, 549,
D9/564, 715, 716, 719; D3/202
CPC A01K 5/00; A01K 9/00; A01K 5/0114;
A01K 5/0121; A01K 5/0135; A01K
7/005; A01K 7/00; A01K 39/02; A01K
39/04; A01K 39/0213
See application file for complete search history.

- 2015/0298867 A1* 10/2015 Sanderson A01K 7/00
215/6
- 2016/0050884 A1* 2/2016 Ross A01K 7/00
119/74
- 2016/0366852 A1* 12/2016 Burroughs A01K 7/00

OTHER PUBLICATIONS

“Portable Dog Water Bottle Foldable” available Jul. 2, 2019, [online], [site visited Nov. 5, 2019]. Retrieved from Internet, URL: https://www.amazon.com/Portable-Foldable-Dispenser-Lightweight-Convenient/product-reviews/B07T2B3SD9/ref=cm_cr_getr_d_paging_btm_next_5 (Year: 2019).*

* cited by examiner

Primary Examiner — Michael C Stout
Assistant Examiner — Katrina N Gonzalez
(74) *Attorney, Agent, or Firm* — Robert J. Lauf

(57) **CLAIM**

The ornamental design for a bottle, as shown and described.

(56) **References Cited**

U.S. PATENT DOCUMENTS

- 5,992,702 A * 11/1999 Shapiro A01K 7/00
222/192
- D633,745 S * 3/2011 Ross D7/300.1
- 8,109,399 B1 * 2/2012 Sheffield B65D 23/00
141/340
- 8,196,622 B1 * 6/2012 Fisher B67C 11/02
141/330
- 8,807,083 B1 * 8/2014 Ross A01K 7/00
119/72
- D741,025 S * 10/2015 Ross D30/121
- D770,100 S * 10/2016 Burroughs D30/121
- 9,901,073 B2 * 2/2018 Hunt A01K 7/00

DESCRIPTION

FIG. 1 is a front elevational view of a bottle showing my new design, the rear elevational view being a mirror image thereof.
FIG. 2 is a top plan view thereof.
FIG. 3 is a left side elevational view thereof, the right side view being a mirror image thereof.
FIG. 4 is a top perspective view thereof; and,
FIG. 5 is another top perspective view, with the flexible top in a folded position.

1 Claim, 4 Drawing Sheets

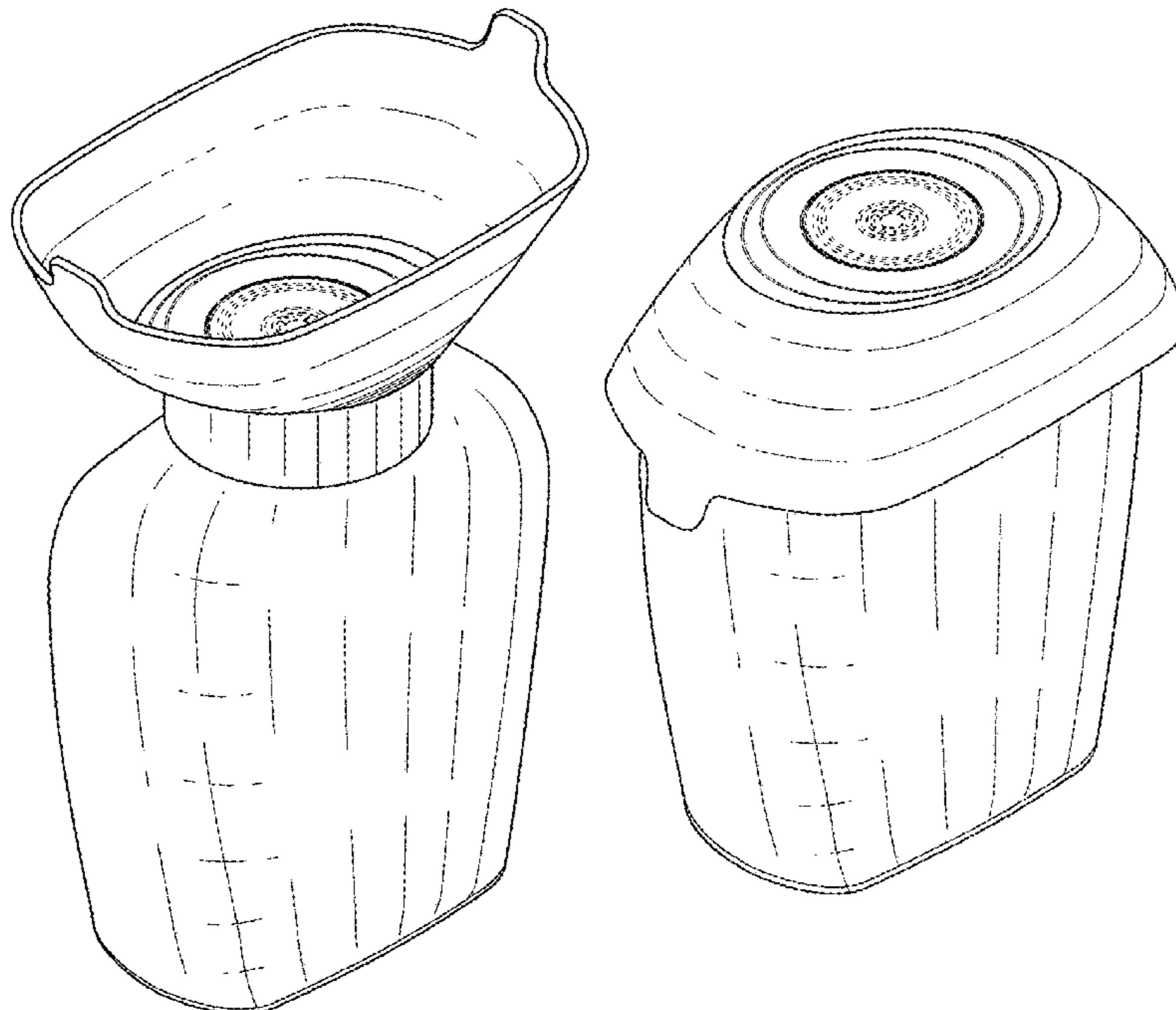


FIG. 1

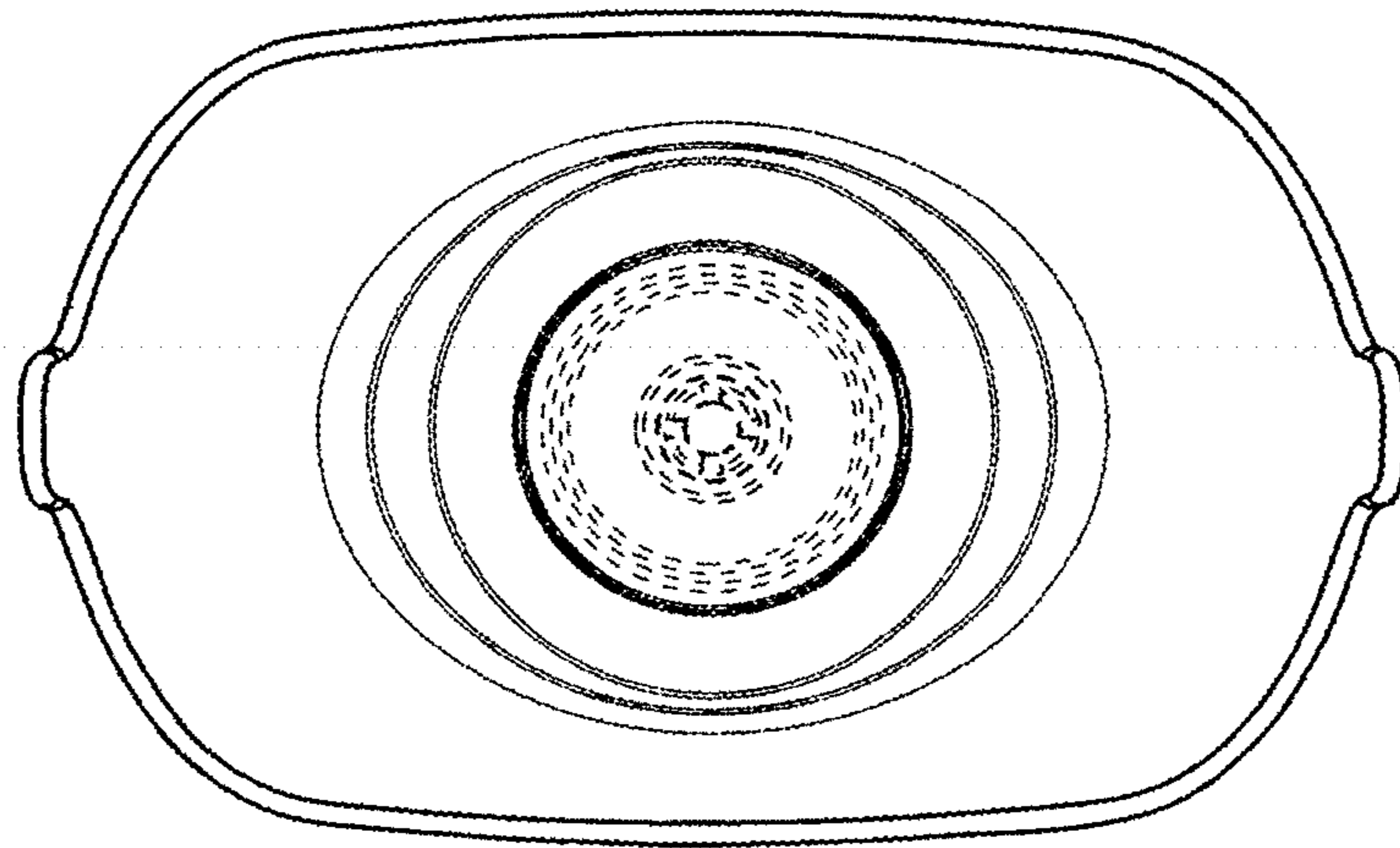
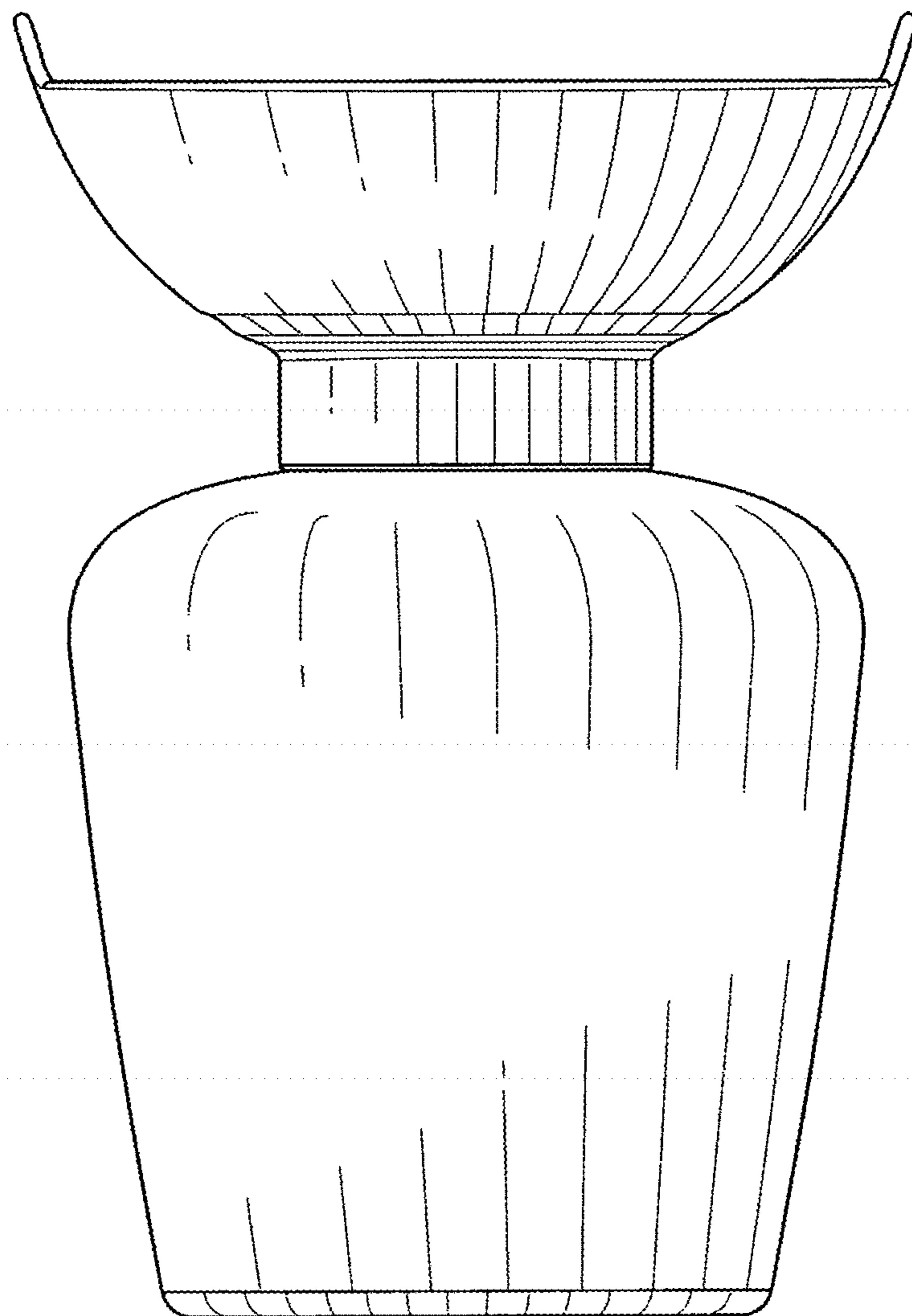


FIG. 2



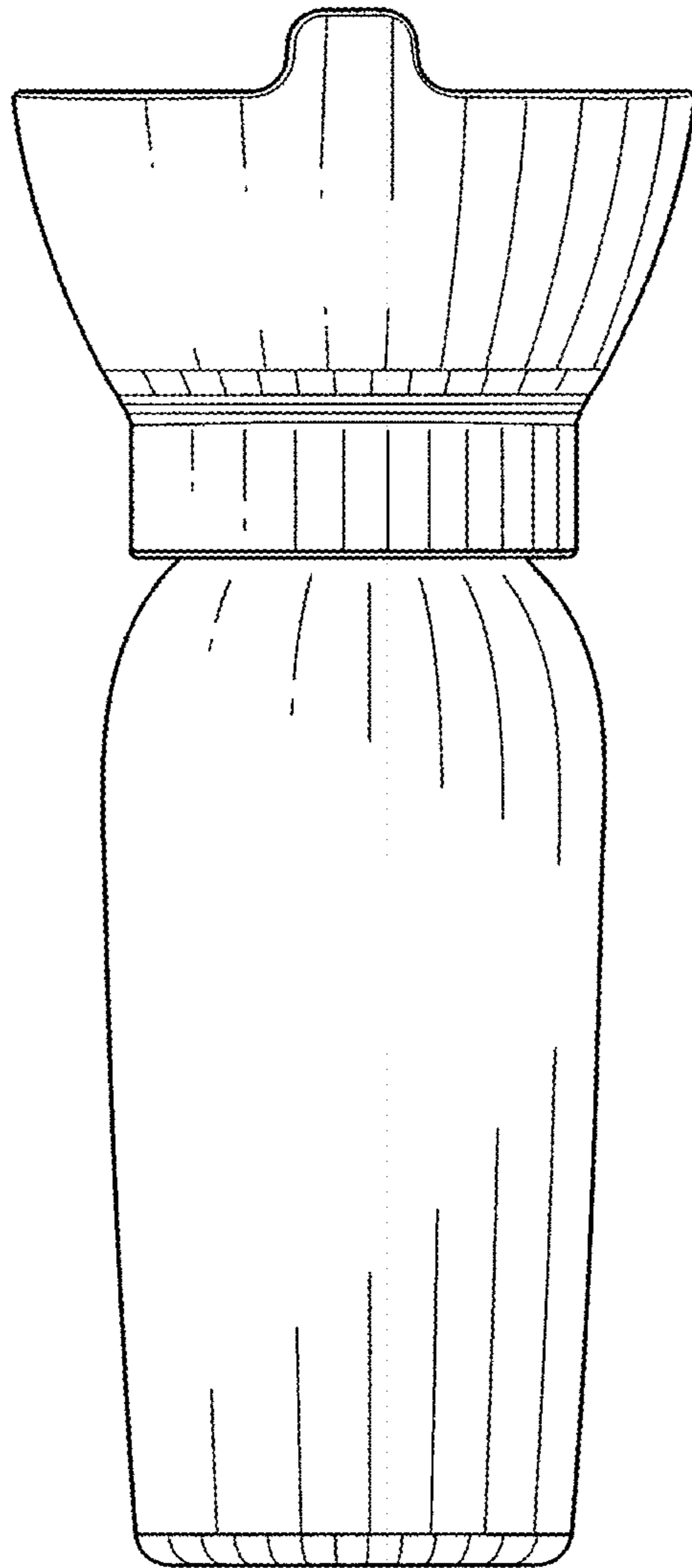


FIG. 3

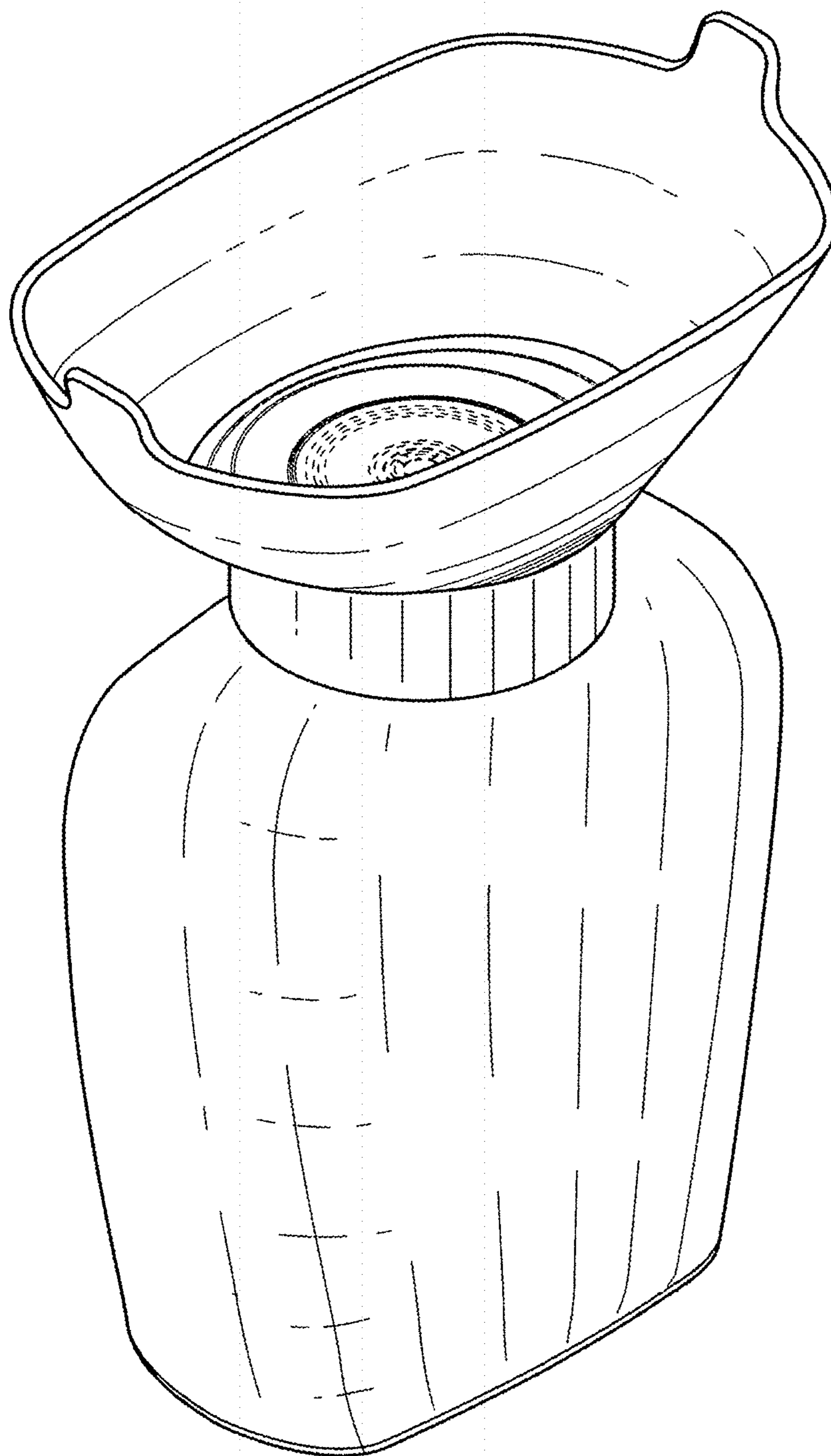


FIG. 4

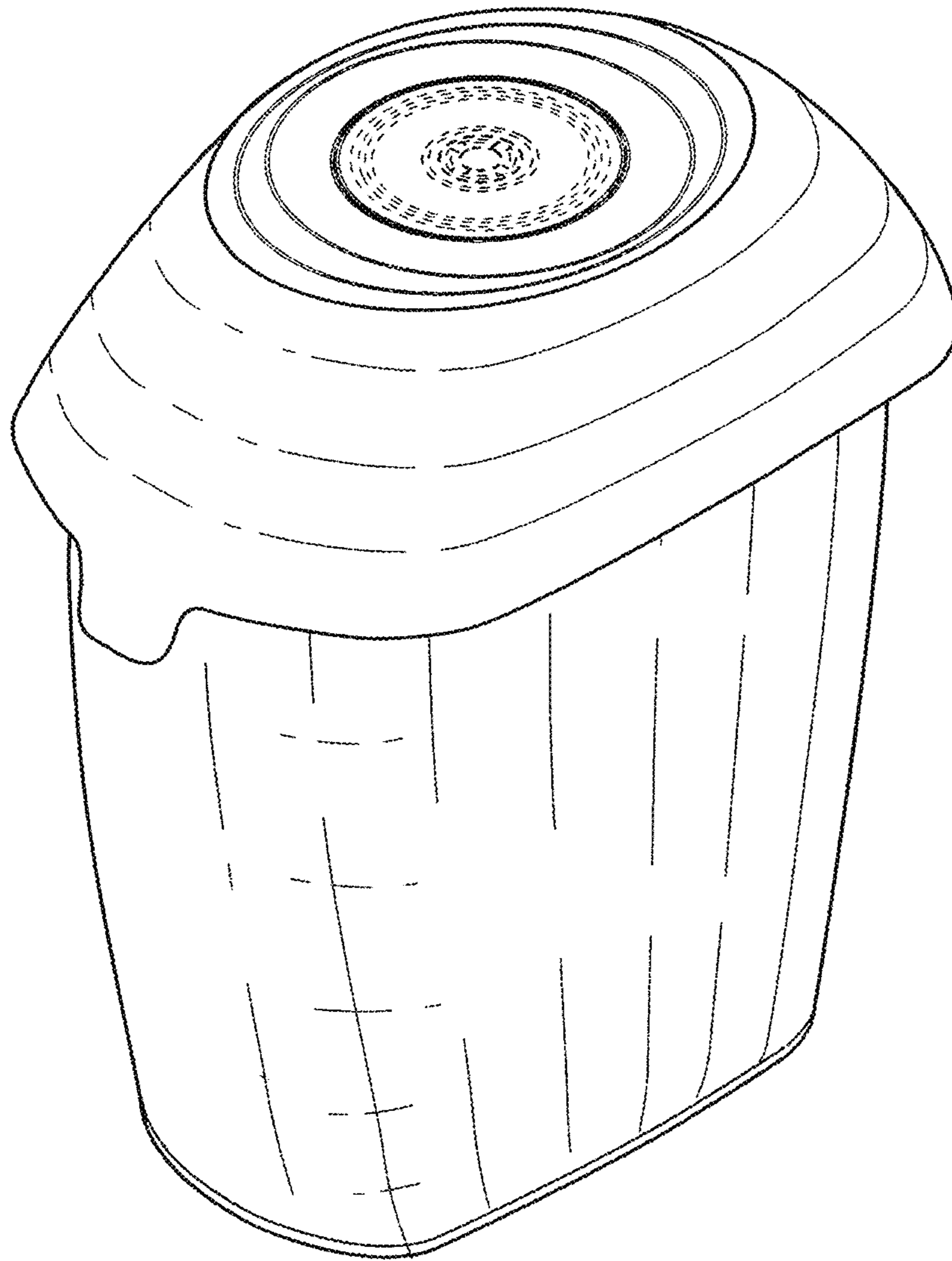


FIG. 5