



US00D887089S

(12) **United States Design Patent**  
**VanBuuren et al.**

(10) **Patent No.:** **US D887,089 S**  
(45) **Date of Patent:** **\*\* Jun. 9, 2020**

- (54) **WALL PANEL FOR AN ANIMAL HOUSING UNIT**
- (71) Applicant: **Poly Dome Ontario Inc.**, Grassie (CA)
- (72) Inventors: **Darren VanBuuren**, Grassie (CA);  
**Burton Mark Wood**, Lindsay (CA)
- (73) Assignee: **Poly Dome Ontario Inc.**, Grassie (CA)

(\*\*) Term: **15 Years**

(21) Appl. No.: **29/615,564**

(22) Filed: **Aug. 30, 2017**

(51) **LOC (12) Cl.** ..... **30-02**

(52) **U.S. Cl.**  
USPC ..... **D30/119**

(58) **Field of Classification Search**  
USPC ..... D30/105, 106, 108, 109, 113–120,  
D30/128–133, 199; D32/54; D8/333,  
D8/343, 354, 366, 373, 382, 383;  
D6/606, 675, 702, 705, 705.1, 706,  
D6/707.19, 553, 567, 572; D9/430, 432;  
D25/42, 47.1, 447.1, 48.1, 48.3, 48.4,  
D25/58–61, 68, 103, 109, 110–112, 131,  
D25/138, 156, 158, 161–162  
CPC ..... A01K 1/00; A01K 1/02; A01K 1/0088  
See application file for complete search history.

(56) **References Cited**

**U.S. PATENT DOCUMENTS**

2,555,396 A	6/1951	Cosner	
D175,798 S *	10/1955	Price	D6/320
3,541,994 A	11/1970	Meng et al.	
3,858,555 A	1/1975	Smith	
D244,737 S	6/1977	Henry	
D355,510 S *	2/1995	Duncan	D30/119
5,509,376 A	4/1996	Tsengas	
D393,107 S	3/1998	Tsengas	

5,842,545 A *	12/1998	Blaiotta	B66B 11/0253 187/401
D410,291 S *	5/1999	Ito	D25/156
6,059,491 A	5/2000	Striefel et al.	
D440,108 S	4/2001	Derman	
D455,238 S *	4/2002	Small	D30/108
D483,157 S	12/2003	Yang	
6,945,194 B2	9/2005	Fritsch	
D522,181 S *	5/2006	Lauzon	D30/118
D552,988 S *	10/2007	Kisch	D9/756

(Continued)

*Primary Examiner* — Sandra S Snapp

*Assistant Examiner* — Mehri F Bajoul

(74) *Attorney, Agent, or Firm* — Walter | Haverfield LLP;  
Sean F. Mellino; D. Peter Hochberg

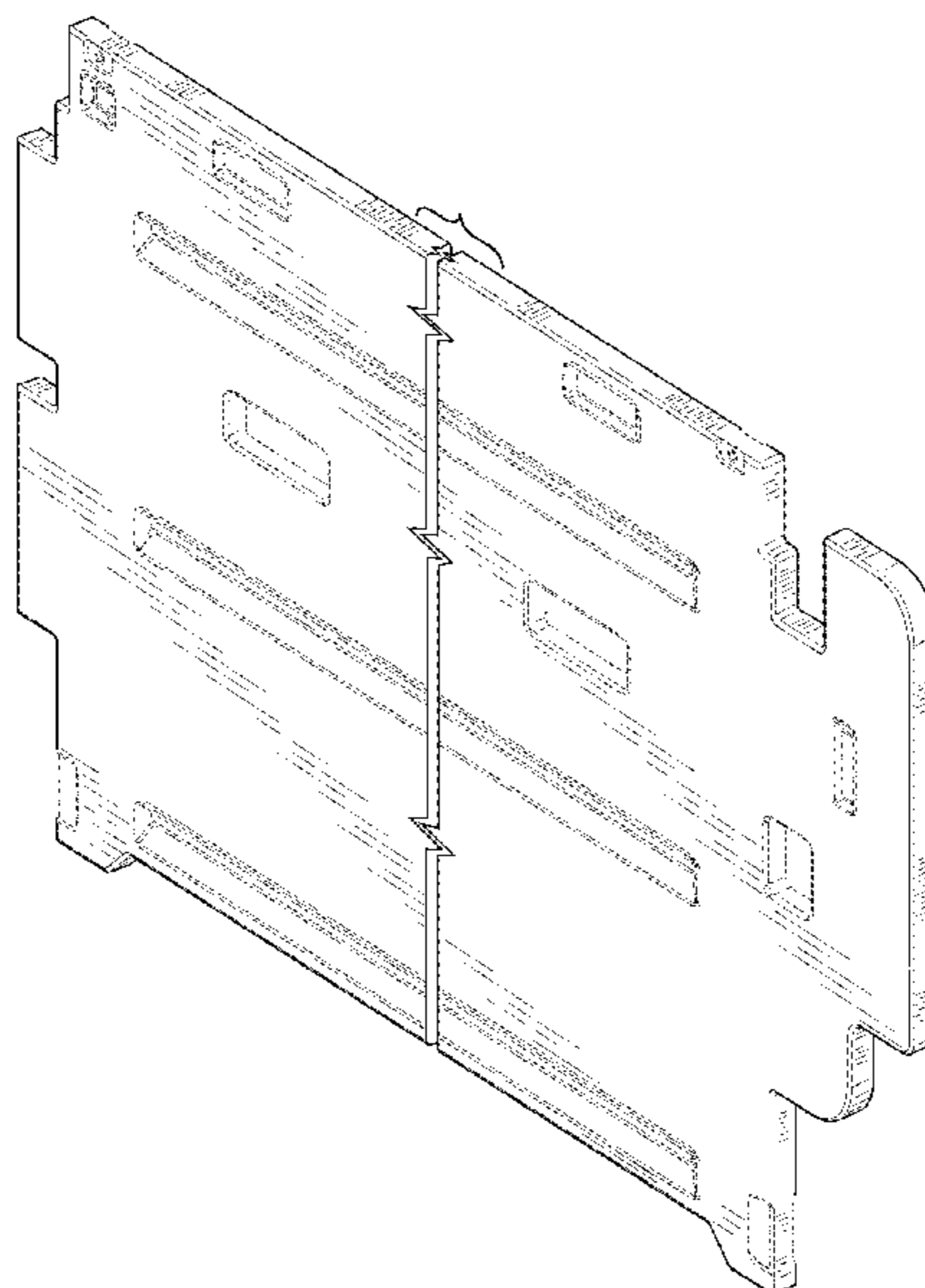
(57) **CLAIM**

The ornamental design for a wall panel for an animal housing unit, as shown and described.

**DESCRIPTION**

FIG. 1 is a top front perspective view of a wall panel for an animal housing unit according to my invention;  
 FIG. 2 is a rear elevation view of the wall panel of FIG. 1;  
 FIG. 3 is a right side elevation view of the wall panel of FIG. 1;  
 FIG. 4 is a front elevation view of the wall panel of FIG. 1;  
 FIG. 5 is a left side elevation view of the wall panel of FIG. 1;  
 FIG. 6 is a top plan view of the wall panel of FIG. 1 in the orientation shown in FIG. 3; and,  
 FIG. 7 is a bottom plan view of the wall panel of FIG. 1 in the orientation shown in FIG. 3.  
 The wall panel for an animal housing unit is shown with a symbolic break in its length. The appearance of any portion of the article between the break lines forms no part of the claimed design. The broken lines depict portions of the wall panel for an animal housing unit that form no part of the claimed design.

**1 Claim, 4 Drawing Sheets**



(56)

References Cited

U.S. PATENT DOCUMENTS

D553,819 S 10/2007 Brothers  
 D567,085 S 4/2008 Rim et al.  
 D570,684 S \* 6/2008 Kisch ..... D9/756  
 D581,782 S \* 12/2008 Kisch ..... D9/756  
 7,487,744 B1 2/2009 Goldberg et al.  
 D593,259 S \* 5/2009 VanderDussen ..... 449/26  
 D617,958 S \* 6/2010 Benincasa ..... D30/108  
 D619,307 S \* 7/2010 Martin ..... D30/109  
 D619,393 S \* 7/2010 Golias ..... D6/706  
 D621,560 S 8/2010 McMurphy  
 7,807,080 B2 10/2010 Hampel  
 D630,803 S \* 1/2011 Lee ..... D30/199  
 D637,358 S \* 5/2011 Greenthal ..... D30/108  
 D641,935 S \* 7/2011 Sullivan ..... D30/108  
 8,186,306 B2 5/2012 Hampel  
 D665,951 S \* 8/2012 Lloyd ..... D30/109  
 D667,175 S 9/2012 McMurphy  
 D676,612 S \* 2/2013 Wygle ..... D30/118  
 D685,532 S \* 7/2013 Hampel ..... D30/119  
 D686,784 S 7/2013 Elliott et al.  
 D688,010 S 8/2013 DiOrio  
 D700,367 S \* 2/2014 Shen ..... D25/138  
 8,763,561 B2 7/2014 Hampel  
 8,771,568 B2 7/2014 Hampel  
 D710,556 S \* 8/2014 Muzaffer ..... D30/108  
 D721,209 S 1/2015 Hove et al.  
 D725,833 S \* 3/2015 Trifiro ..... D30/119  
 8,973,533 B2 3/2015 Hampel et al.  
 D739,957 S \* 9/2015 Gulbrandsen ..... D25/61  
 9,260,897 B2 2/2016 Wolk  
 D750,811 S \* 3/2016 Peters ..... D25/158  
 D762,458 S 8/2016 Horne  
 D769,020 S 10/2016 Yedikian

D769,550 S \* 10/2016 Oxboel ..... D30/158  
 D774,663 S \* 12/2016 Nigro ..... D25/138  
 9,591,828 B2 3/2017 Hampel et al.  
 D789,620 S \* 6/2017 Hampel ..... D30/119  
 D794,222 S \* 8/2017 Kilian ..... D25/138  
 D795,691 S \* 8/2017 Bankowski ..... D9/433  
 D797,554 S \* 9/2017 Bankowski ..... D9/433  
 D804,739 S 12/2017 Ksiazek et al.  
 D807,705 S 1/2018 Laurain  
 D820,623 S 6/2018 Akana et al.  
 D823,109 S \* 7/2018 Bankowski ..... D9/433  
 D824,116 S \* 7/2018 Couse ..... D30/119  
 D825,329 S \* 8/2018 Ross ..... D9/433  
 D827,210 S \* 8/2018 Cantwell ..... D30/119  
 D827,211 S \* 8/2018 Cronkhite ..... D30/119  
 D830,647 S 10/2018 Le  
 D831,394 S \* 10/2018 Brooks ..... D6/706  
 D833,862 S \* 11/2018 Nelson ..... D9/418  
 D839,491 S \* 1/2019 Veness ..... D30/119  
 D839,492 S \* 1/2019 Cantwell ..... D30/119  
 2003/0173396 A1 \* 9/2003 Naughton ..... B65D 5/0015  
 229/199  
 2006/0152850 A1 \* 7/2006 Hsu ..... G11B 5/1278  
 360/125.06  
 2009/0272330 A1 11/2009 Hampel  
 2009/0314827 A1 \* 12/2009 Grigor ..... B65D 5/0015  
 229/190  
 2010/0032334 A1 \* 2/2010 Weideman ..... B65D 5/0015  
 206/503  
 2011/0100302 A1 5/2011 Van Buuren  
 2013/0081575 A1 4/2013 Hampel et al.  
 2014/0261222 A1 9/2014 Hampel et al.  
 2016/0095289 A1 4/2016 Hampel et al.  
 2017/0210504 A1 \* 7/2017 Aguirre ..... B65D 5/323  
 2018/0055000 A1 \* 3/2018 VanBuuren ..... A01K 1/00

\* cited by examiner

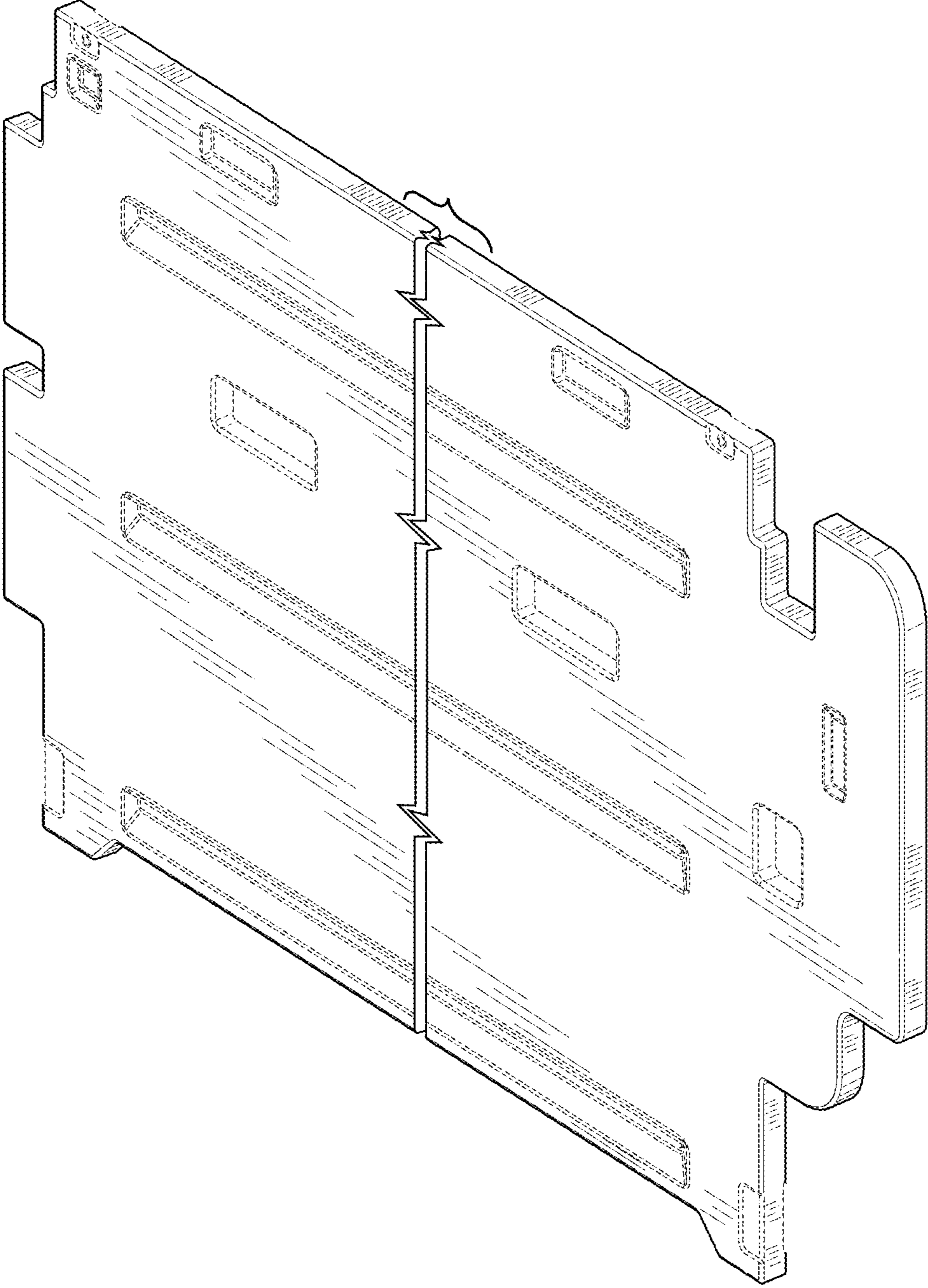


FIG. 1

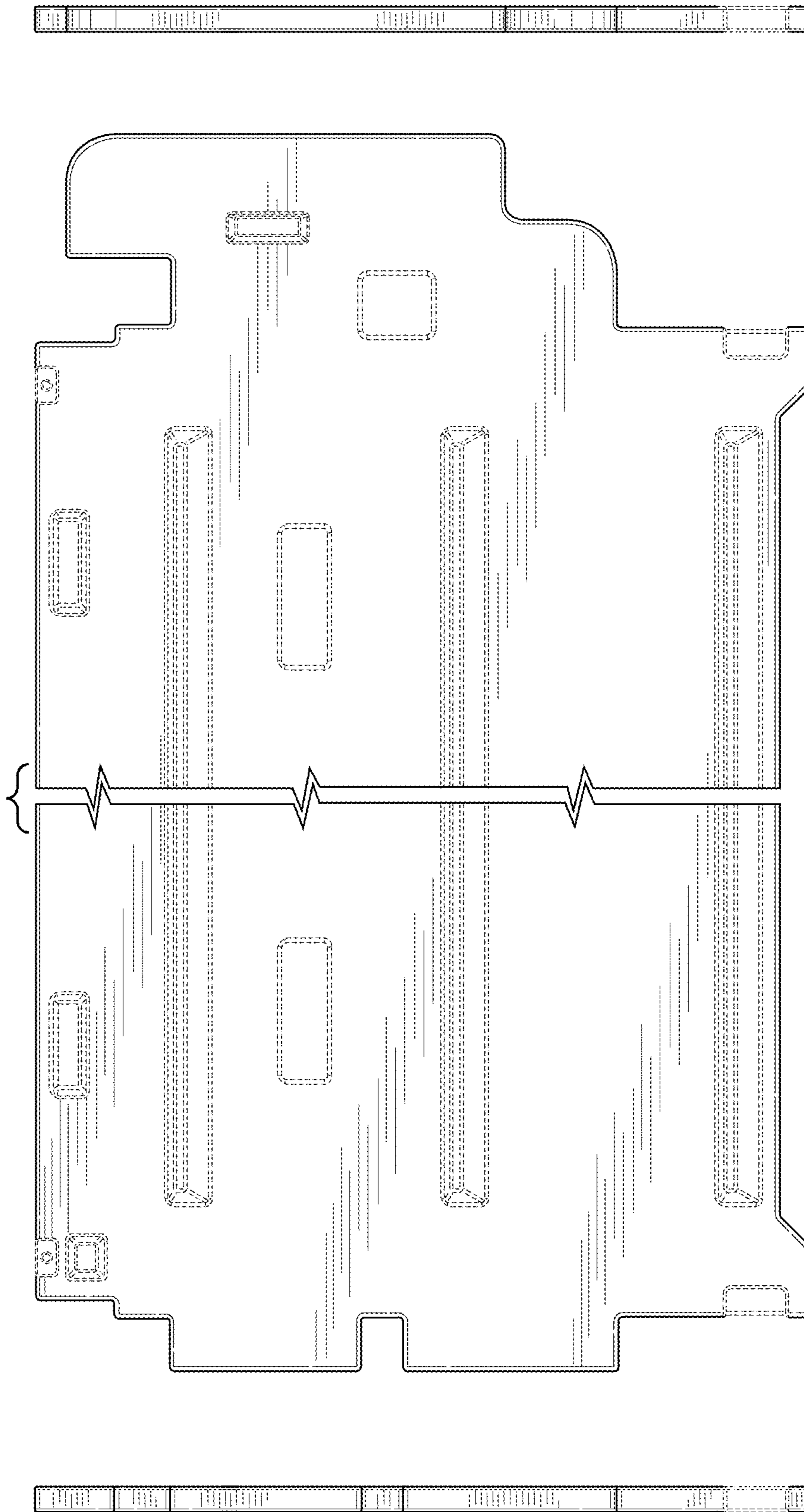


FIG. 4

FIG. 3

FIG. 2

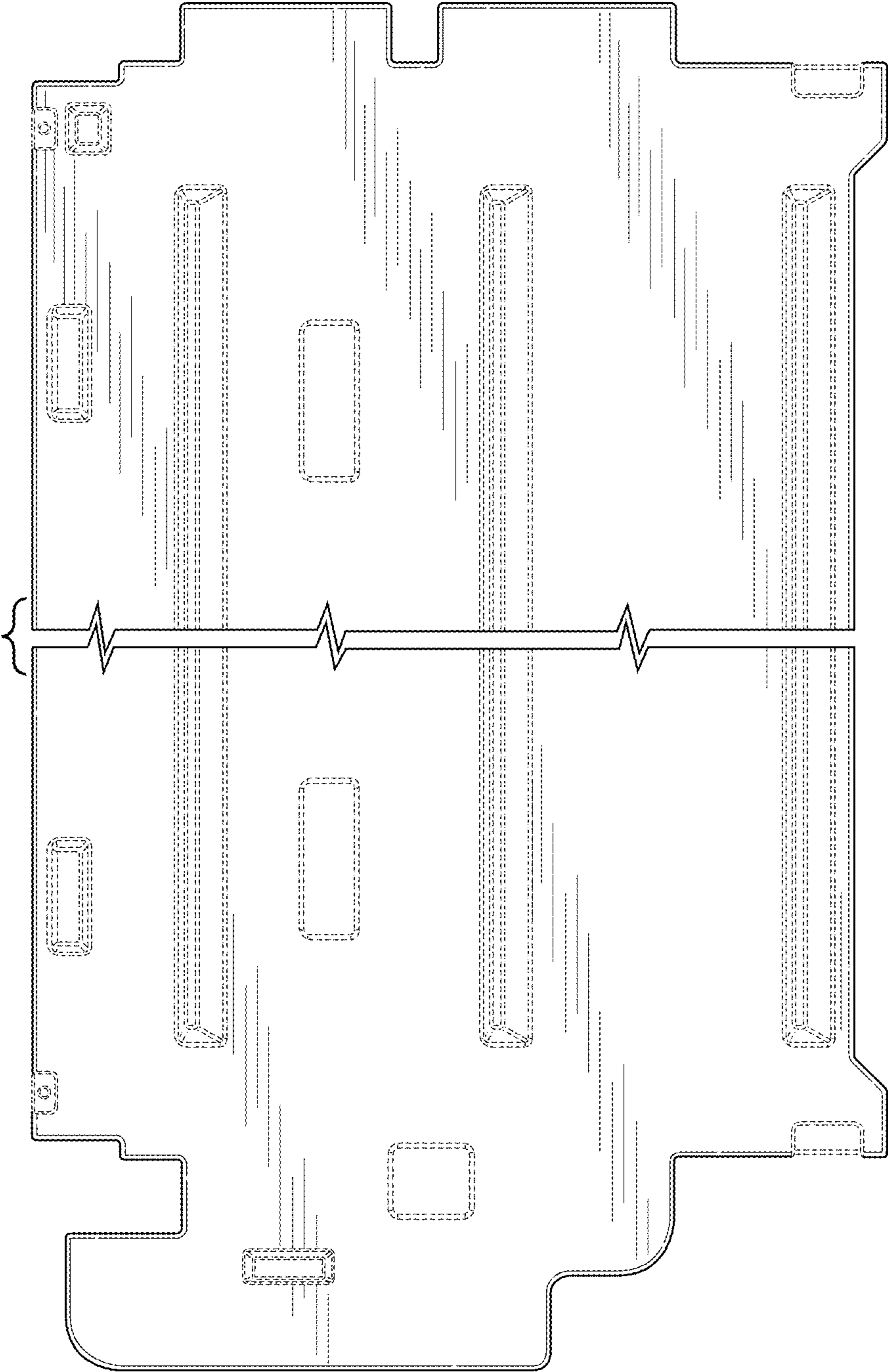


FIG. 5



FIG. 6



FIG. 7