



US00D887087S

(12) **United States Design Patent**
Huang

(10) **Patent No.:** **US D887,087 S**

(45) **Date of Patent:** **** Jun. 9, 2020**

(54) **AQUARIUM**

(71) Applicant: **Chih-Yuan Huang**, Kaohsiung (TW)

(72) Inventor: **Chih-Yuan Huang**, Kaohsiung (TW)

(**) Term: **15 Years**

(21) Appl. No.: **29/665,132**

(22) Filed: **Oct. 1, 2018**

(51) **LOC (12) Cl.** **30-02**

(52) **U.S. Cl.**
USPC **D30/101**

(58) **Field of Classification Search**
USPC D30/101-108; D11/145, 152, 157;
119/245-248, 253

CPC A01K 63/00; A01K 63/003; A01K 63/006;
A01G 9/02

See application file for complete search history.

(56) **References Cited**

U.S. PATENT DOCUMENTS

D90,041 S * 5/1933 Wright D30/101
D240,742 S * 7/1976 Robert D30/101

D243,352 S * 2/1977 Gray, Sr. D30/101
D304,246 S * 10/1989 Ross, Jr. D30/102
5,026,477 A * 6/1991 Yen A01K 63/04
119/245
D345,631 S * 3/1994 Marshall D30/106
7,341,022 B2 * 3/2008 Ming A01K 63/003
119/245
D669,229 S * 10/2012 Andon D30/101

* cited by examiner

Primary Examiner — Wan Laymon

(74) *Attorney, Agent, or Firm* — Karin L. Williams; Alan D. Kamrath; Mayer & Williams PC

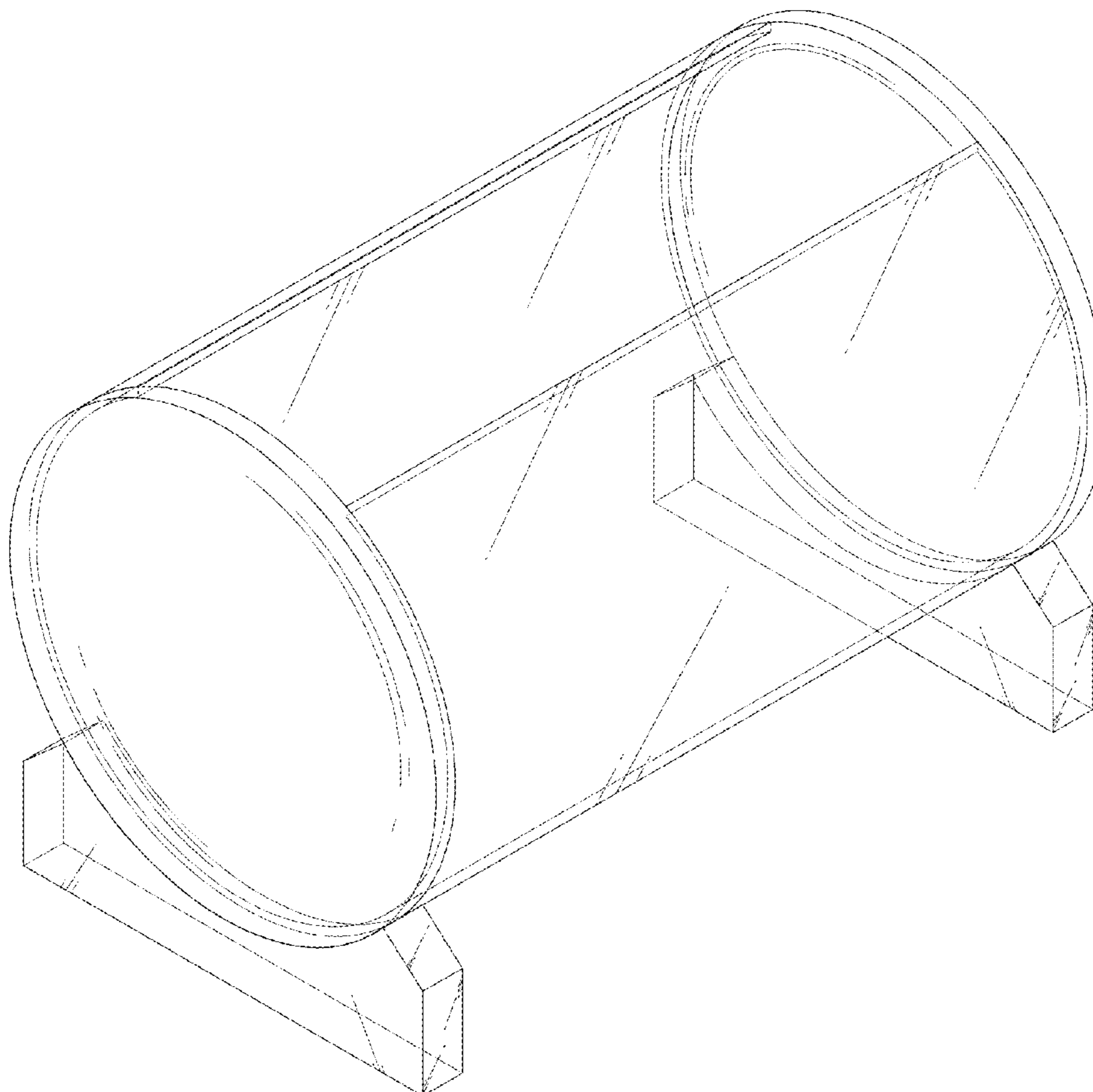
(57) **CLAIM**

The ornamental design for an aquarium, as shown and described.

DESCRIPTION

FIG. 1 is a perspective view of an aquarium showing my new design;
FIG. 2 is a front elevational view thereof;
FIG. 3 is a rear elevational view thereof;
FIG. 4 is a right side view thereof;
FIG. 5 is a left side view thereof;
FIG. 6 is a top plan view thereof; and,
FIG. 7 is a bottom plan view thereof.

1 Claim, 7 Drawing Sheets



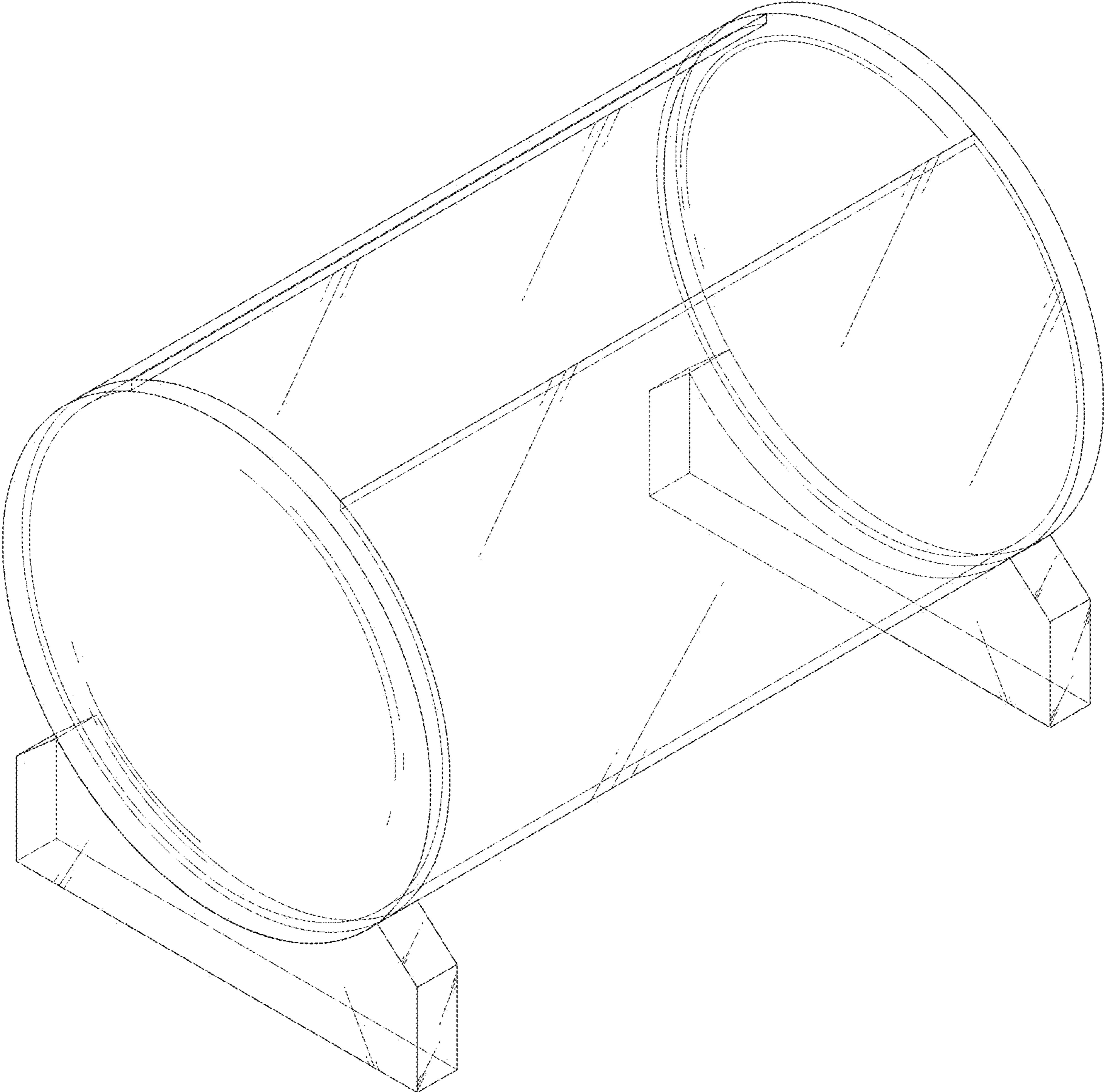


FIG. 1

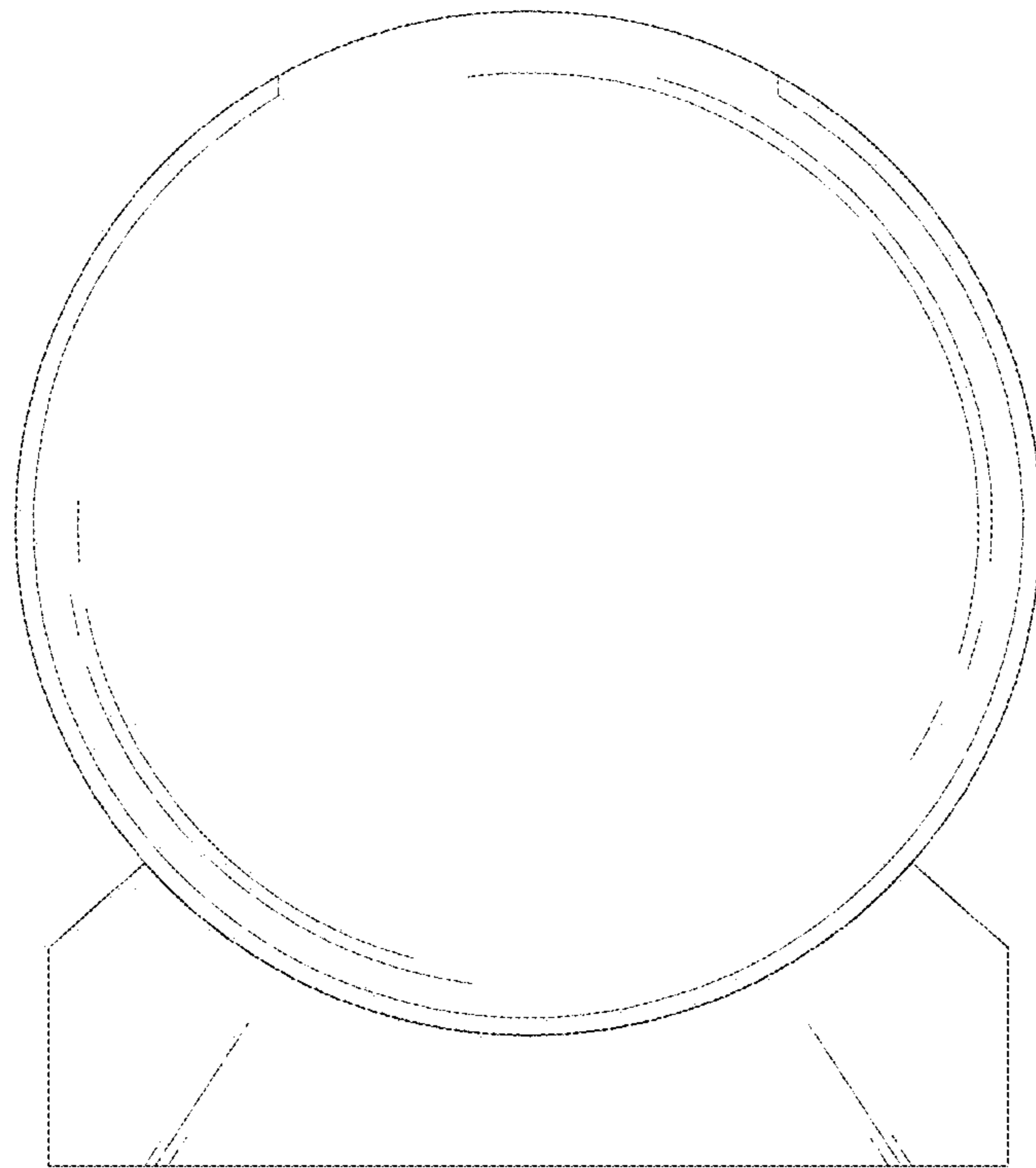


FIG. 2

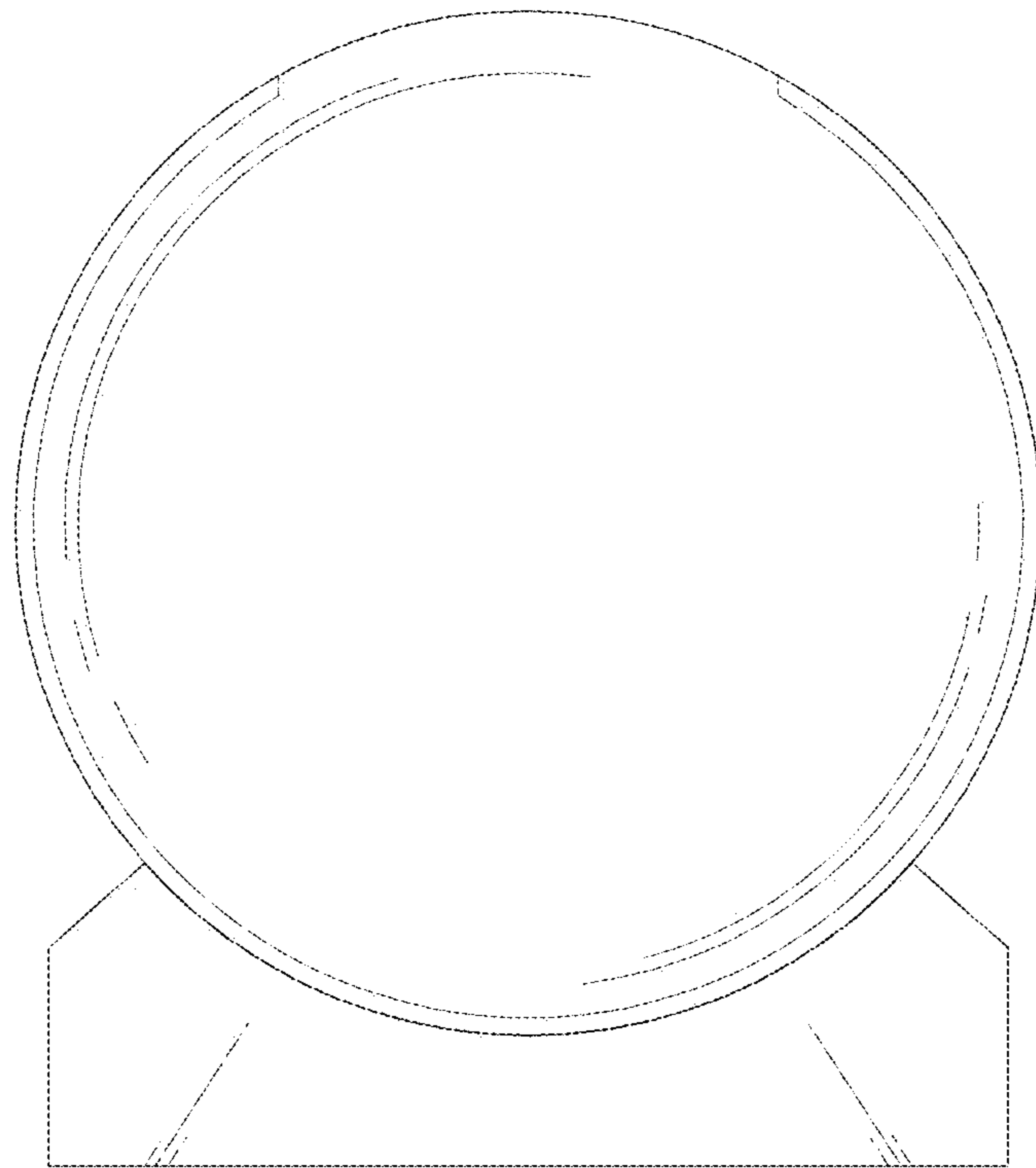


FIG. 3

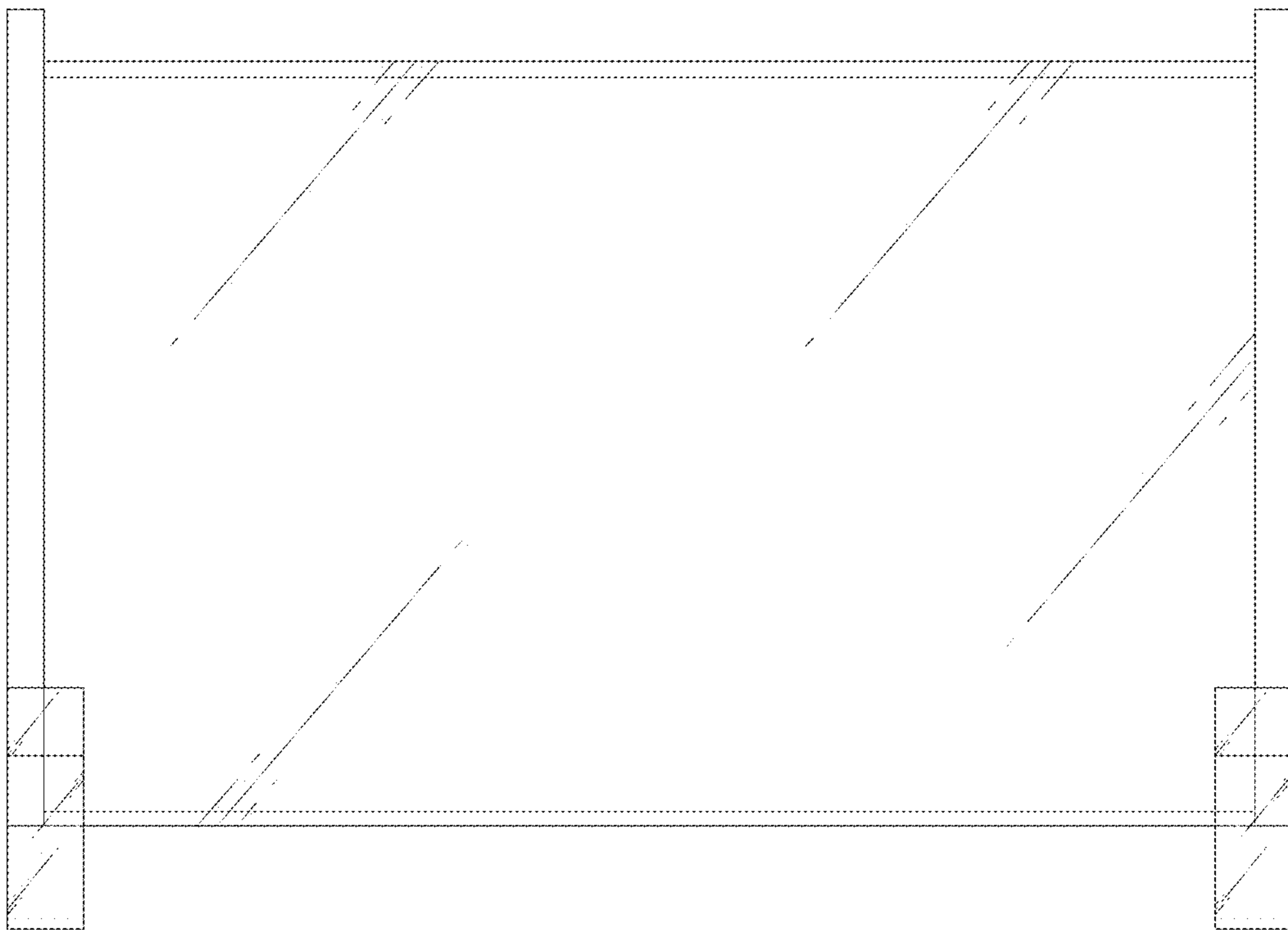


FIG. 4

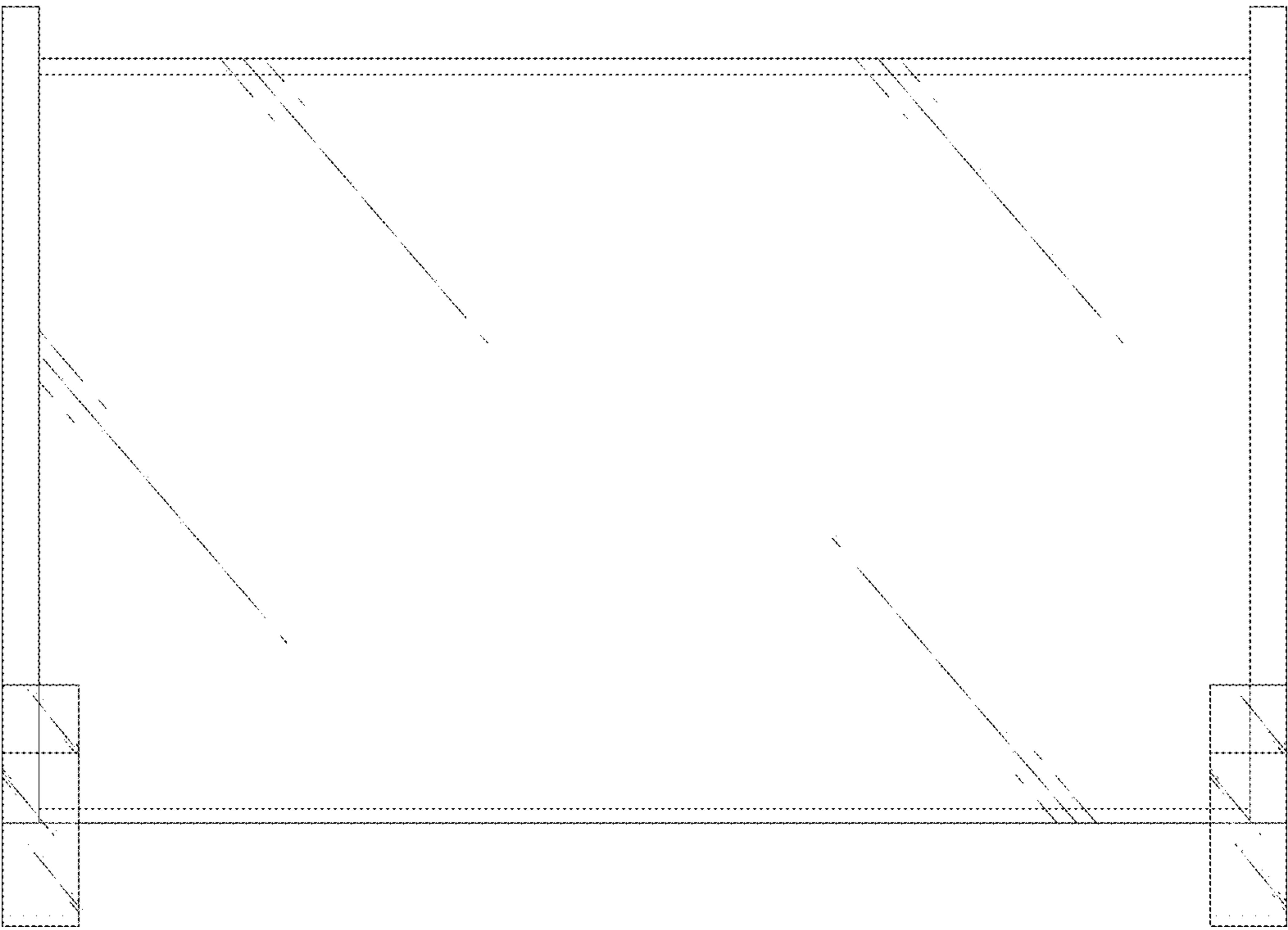


FIG. 5

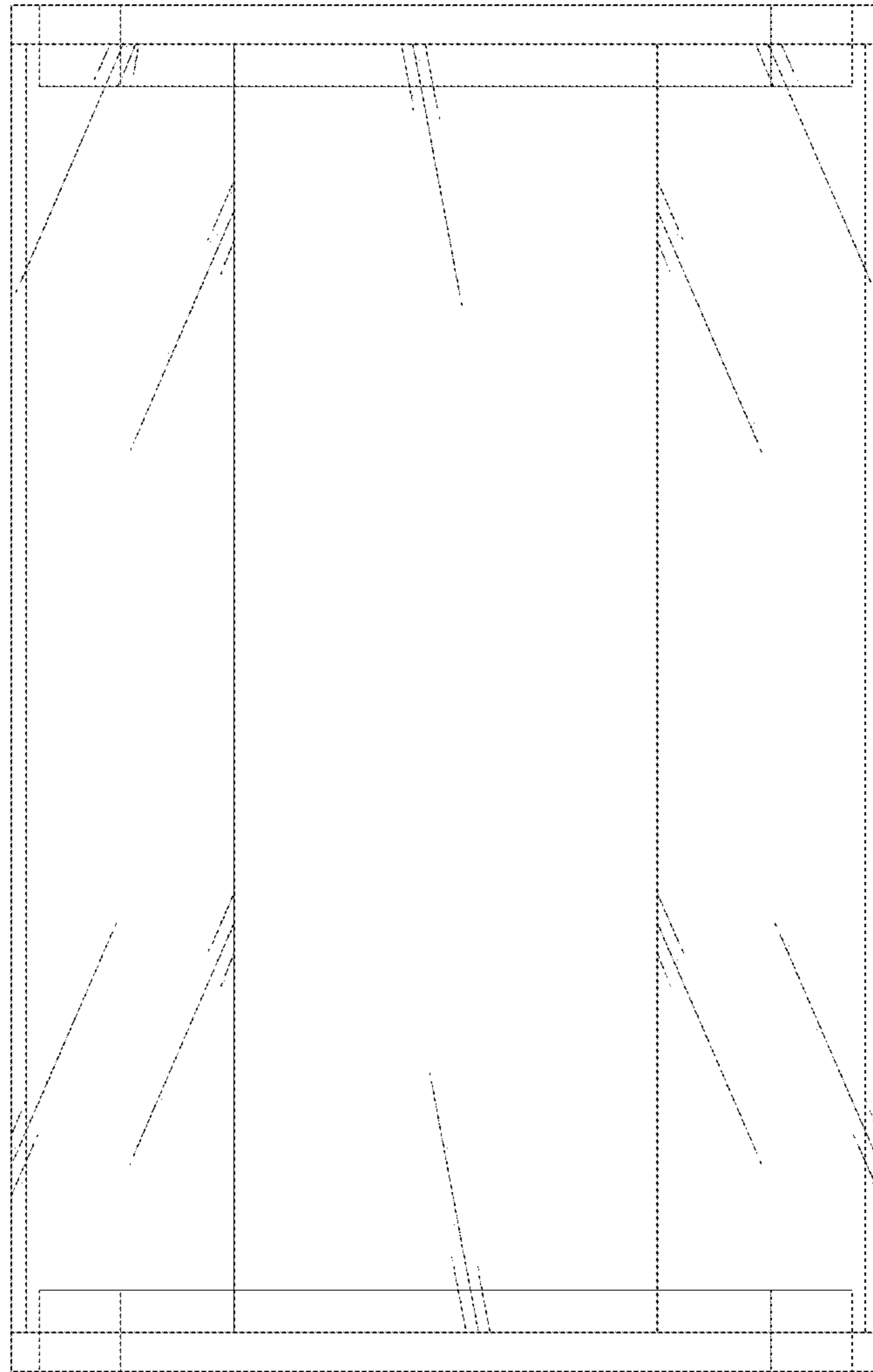


FIG. 6

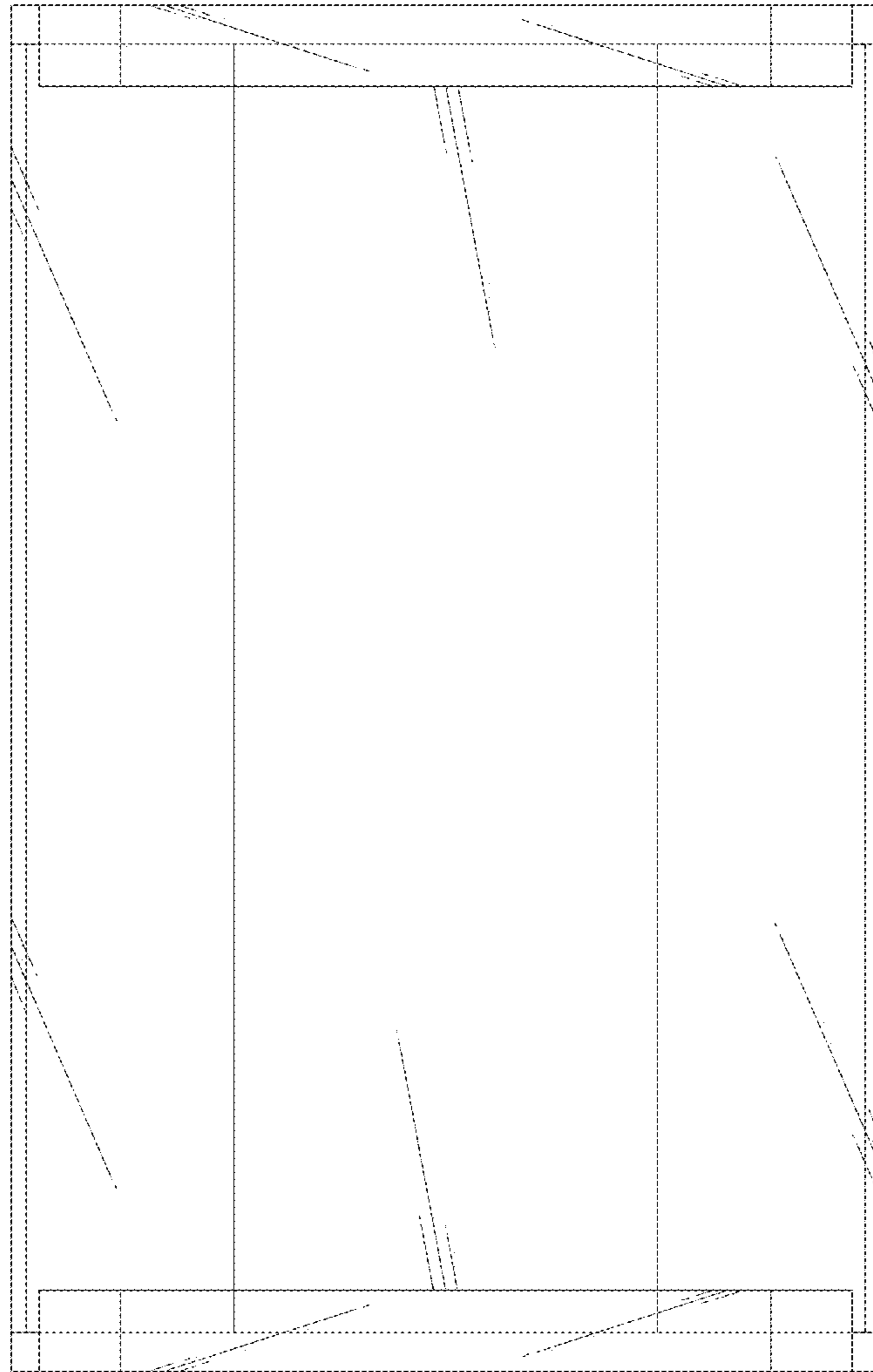


FIG. 7