



US00D887078S

(12) **United States Design Patent**  
**Mullen**

(10) **Patent No.:** **US D887,078 S**

(45) **Date of Patent:** **\*\* Jun. 9, 2020**

(54) **LIGHTING STAKE**

(71) Applicant: **Nate Mullen**, Valley Center, CA (US)

(72) Inventor: **Nate Mullen**, Valley Center, CA (US)

(\*\*) Term: **15 Years**

(21) Appl. No.: **29/672,002**

(22) Filed: **Nov. 30, 2018**

(51) **LOC (12) Cl.** ..... **26-05**

(52) **U.S. Cl.**  
USPC ..... **D26/138**

(58) **Field of Classification Search**

USPC ..... D26/72, 74, 76, 78-83, 85, 86, 88, 90,  
D26/93, 111, 113, 118, 119, 120, 121,  
D26/122, 138, 139, 140, 141, 142, 152  
CPC ..... F21S 2/00; F21S 4/00; F21S 4/003; F21S  
4/005; F21S 4/006; F21S 4/007; F21S  
4/008; F21S 6/00; F21S 8/00; F21S  
8/024; F21S 8/026; F21S 8/031; F21S  
8/033; F21S 8/035-037; F21S 8/04; F21S  
8/043; F21S 8/063

See application file for complete search history.

(56) **References Cited**

**U.S. PATENT DOCUMENTS**

D318,344 S	*	7/1991	Arts	.....	D26/113
D481,158 S	*	10/2003	Cline	.....	D26/138
D481,159 S	*	10/2003	Walker	.....	D26/138
D537,556 S	*	2/2007	Summerford	.....	D26/142
D573,298 S	*	7/2008	Kinnune	.....	D26/142
D585,590 S	*	1/2009	Summerford	.....	D26/141
D592,351 S	*	5/2009	Kinnune	.....	D26/155
D709,643 S	*	7/2014	Kohler	.....	D26/138
D725,305 S	*	3/2015	Nelson	.....	D26/70
D740,487 S	*	10/2015	Nelson	.....	D26/153
D804,715 S	*	12/2017	Lentine	.....	D26/142

D818,192 S	*	5/2018	Price	.....	D26/138
D829,970 S	*	10/2018	Brennenstuhl	.....	D26/138
D834,240 S	*	11/2018	Mullen	.....	D26/138
D841,879 S	*	2/2019	Hollinger	.....	D26/142
D843,642 S	*	3/2019	Mathews	.....	D26/142
D871,643 S	*	12/2019	Klinge	.....	D26/67

\* cited by examiner

*Primary Examiner* — Natasha Vujcic

(74) *Attorney, Agent, or Firm* — Kelly & Kelley, LLP

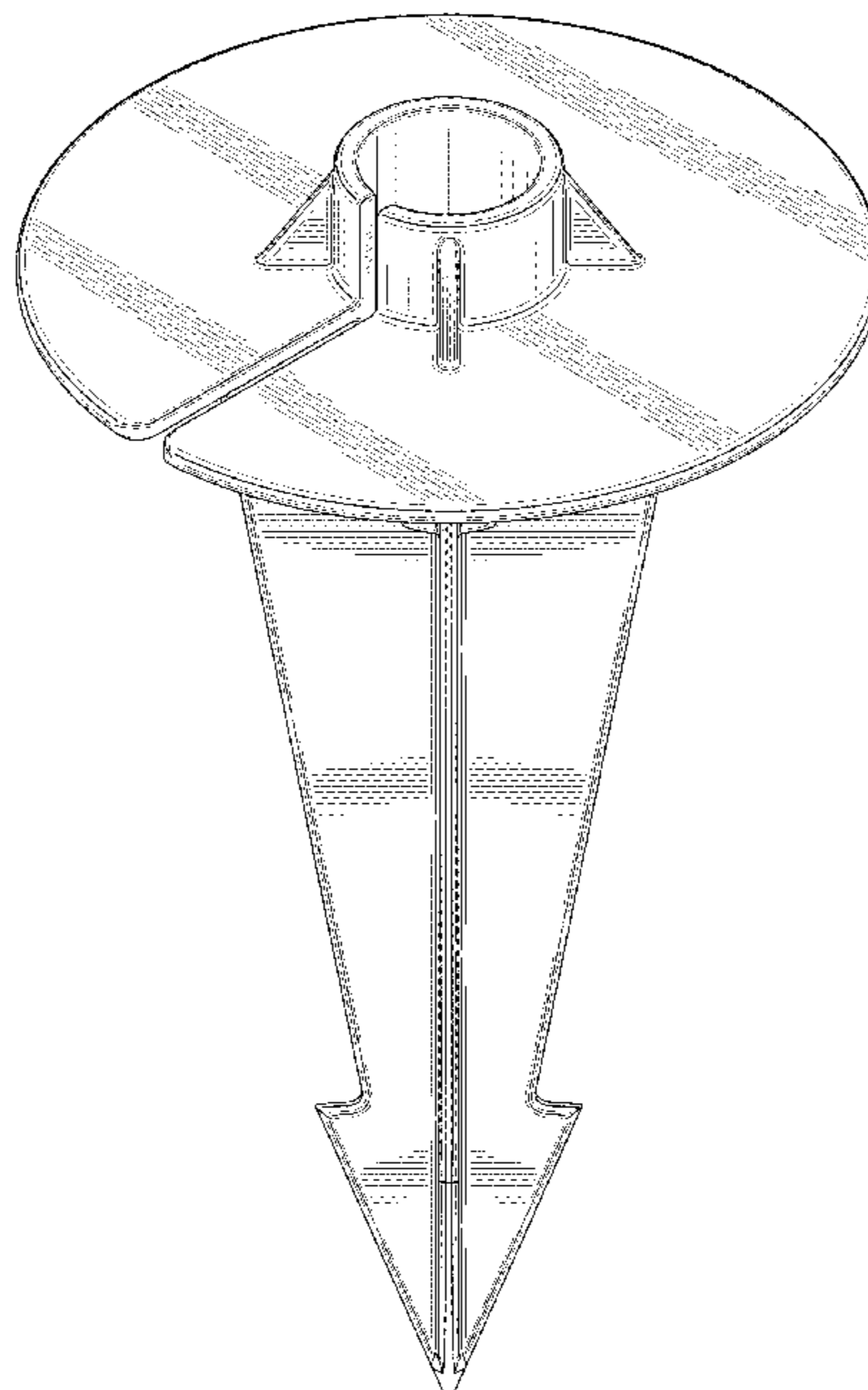
(57) **CLAIM**

The ornamental design for a lighting stake, as shown.

**DESCRIPTION**

FIG. 1 is an elevated perspective view of the ornamental design for a lighting stake of the present invention;  
 FIG. 2 is a lowered perspective view of the ornamental design for a lighting stake of the present invention;  
 FIG. 3 is a front view of the ornamental design for a lighting stake of the present invention;  
 FIG. 4 is a rear view of the ornamental design for a lighting stake of the present invention;  
 FIG. 5 is a left side view of the ornamental design for a lighting stake of the present invention;  
 FIG. 6 is a right side view of the ornamental design for a lighting stake of the present invention;  
 FIG. 7 is a top view of the ornamental design for a lighting stake of the present invention;  
 FIG. 8 is a bottom view of the ornamental design for a lighting stake of the present invention;  
 FIG. 9 is a cross-sectional view of the ornamental design for a lighting stake of the present invention taken along line 9-9 of FIG. 7; and,  
 FIG. 10 is a cross-sectional view of the ornamental design for a lighting stake of the present invention taken along line 10-10 of FIG. 7.

**1 Claim, 10 Drawing Sheets**



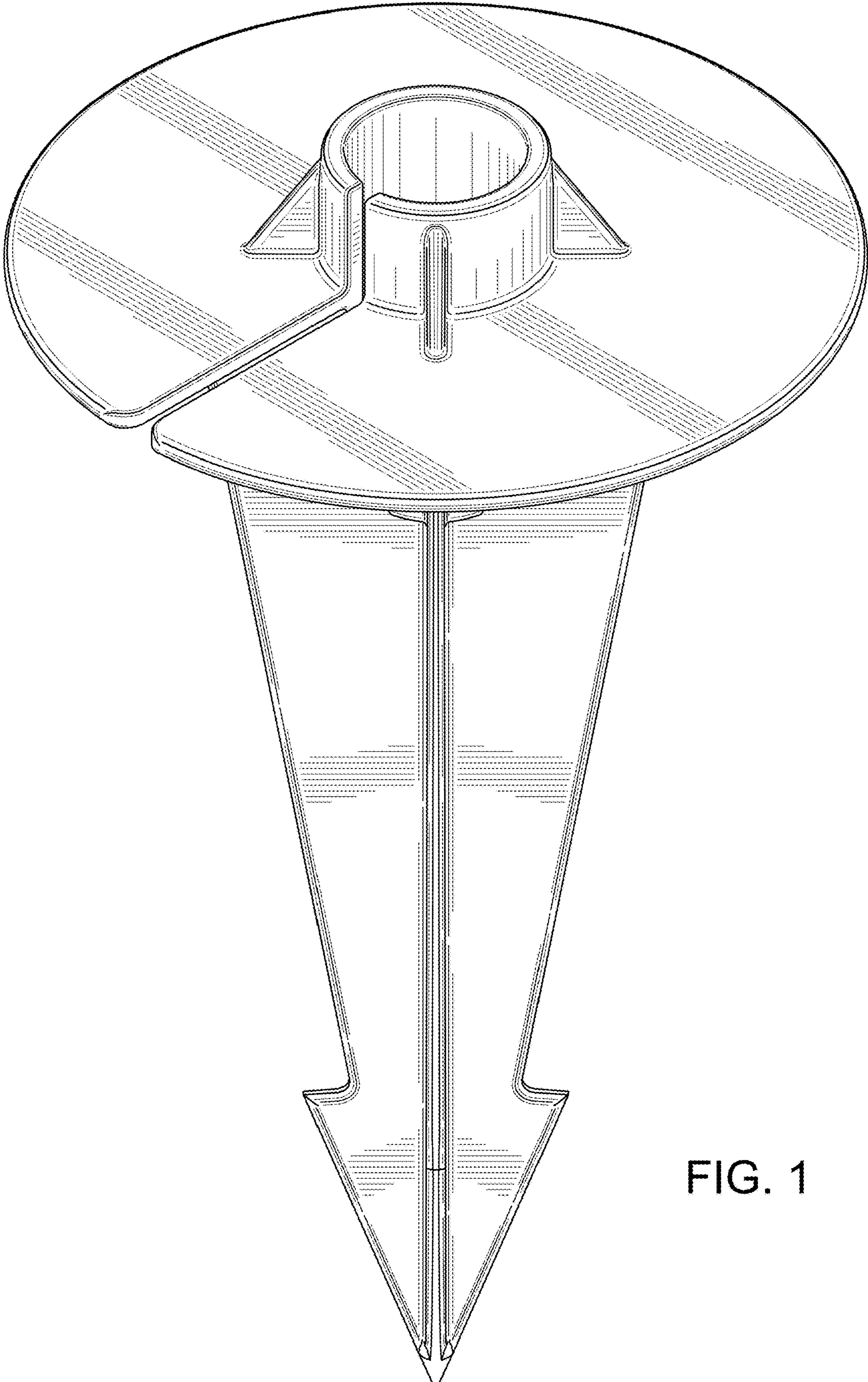


FIG. 1



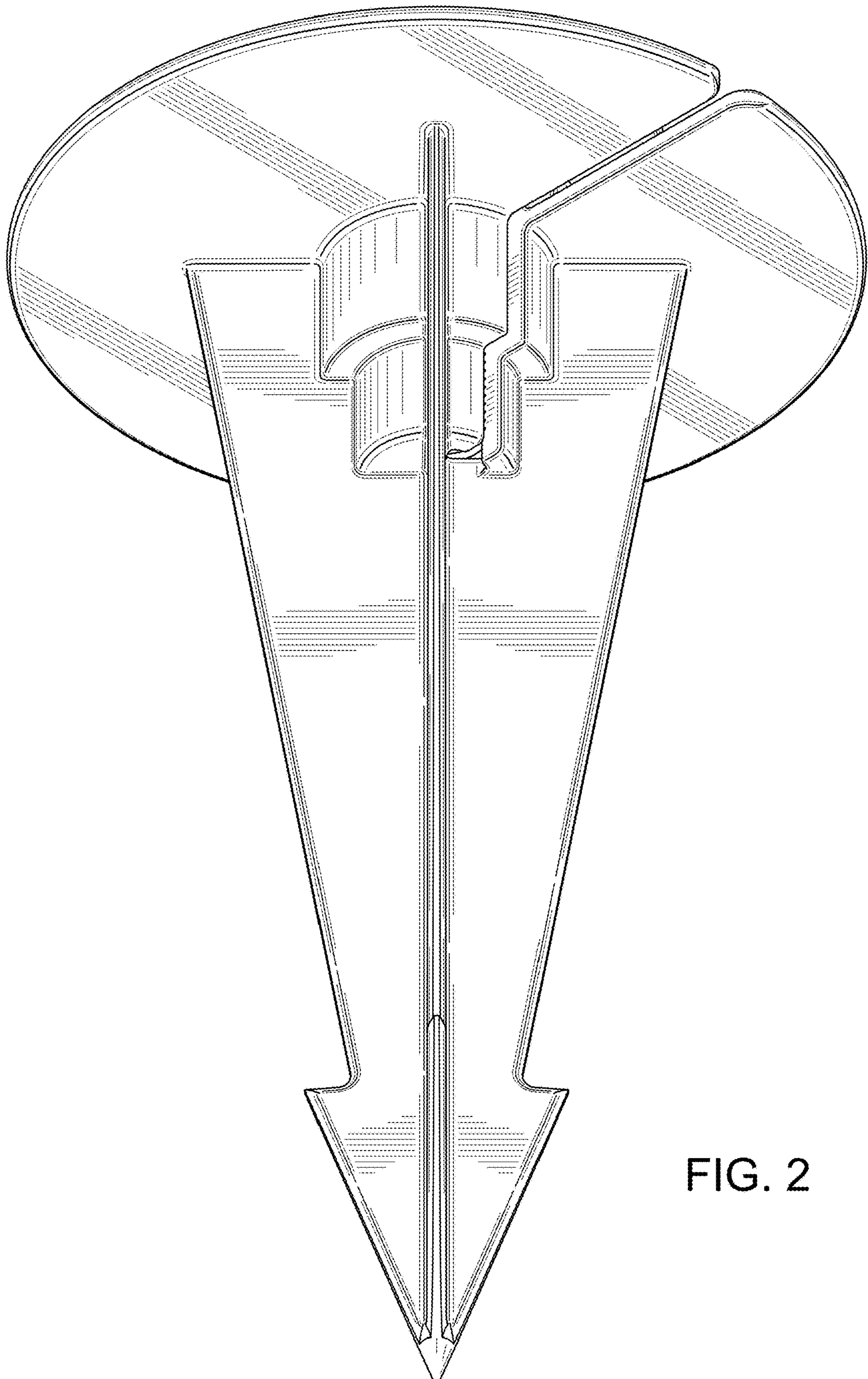


FIG. 2

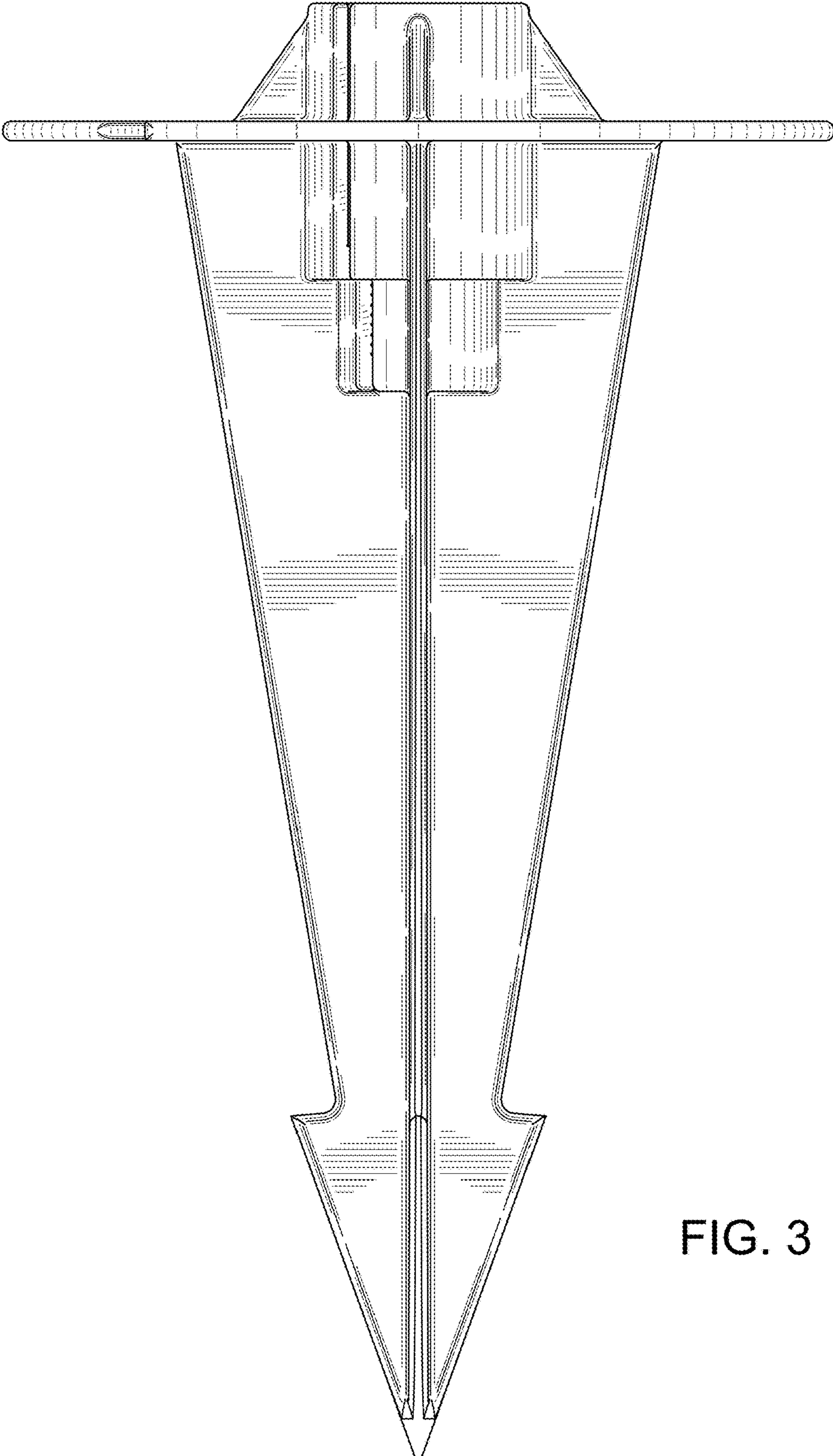


FIG. 3

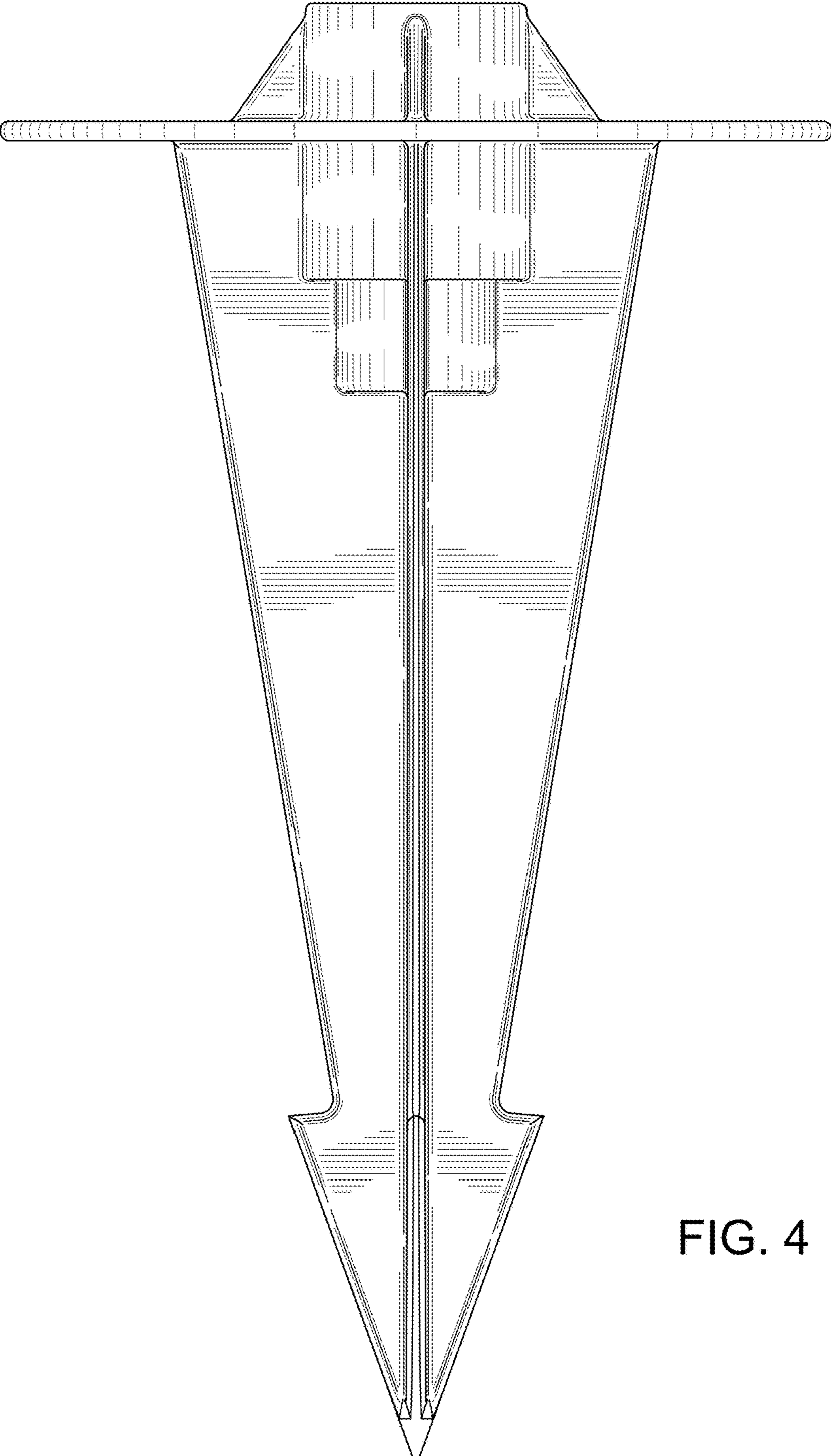


FIG. 4



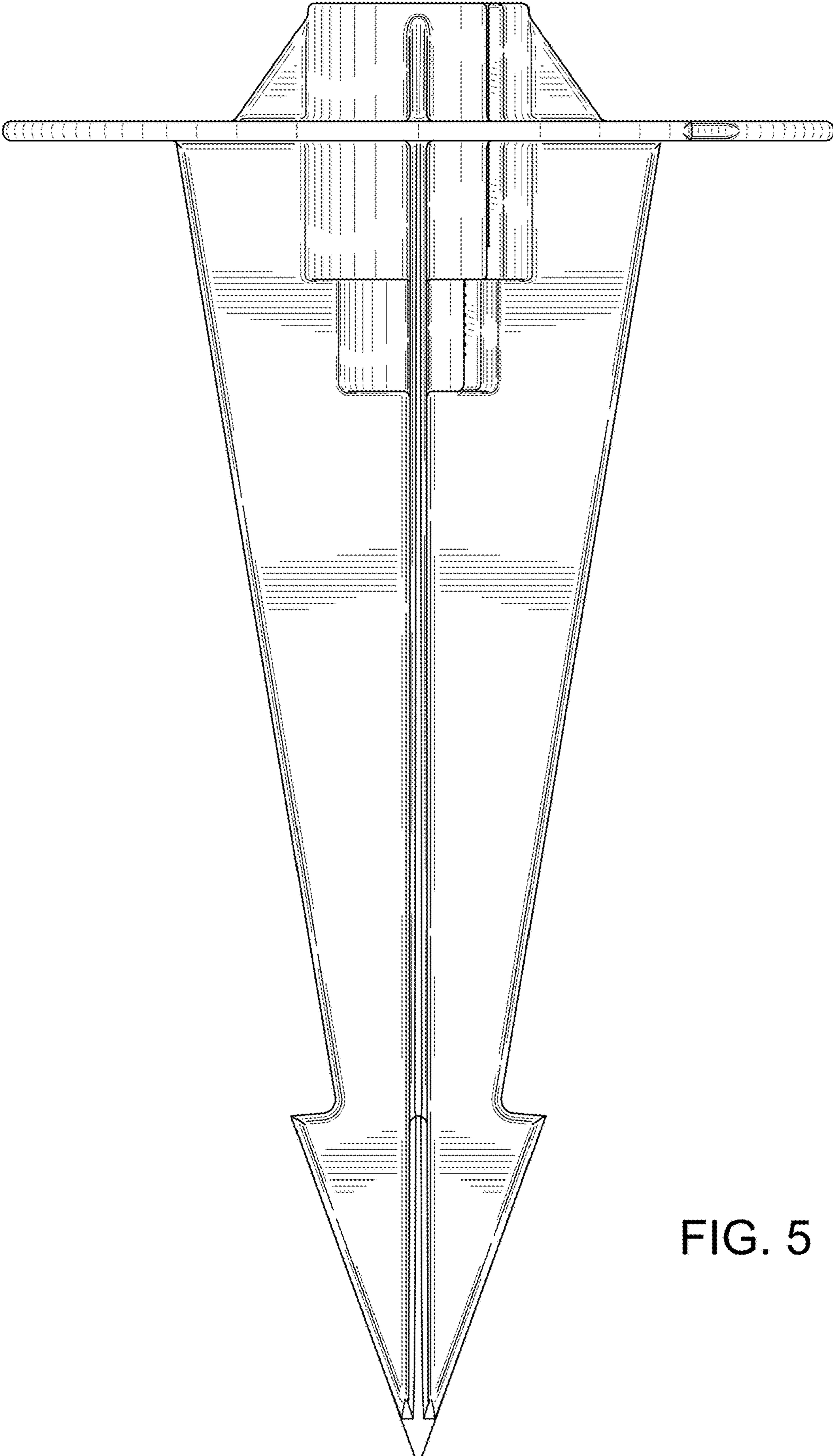


FIG. 5

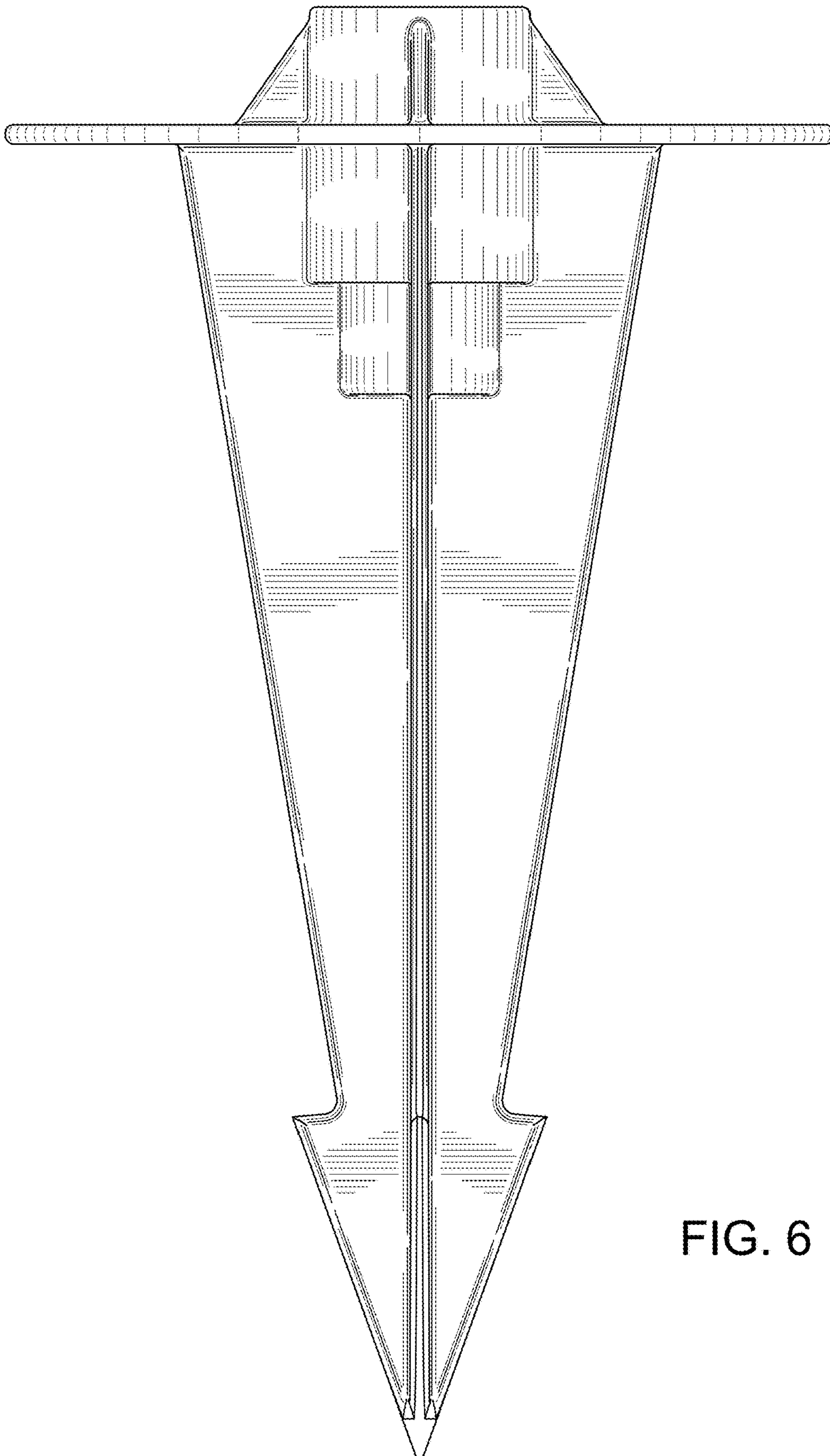


FIG. 6

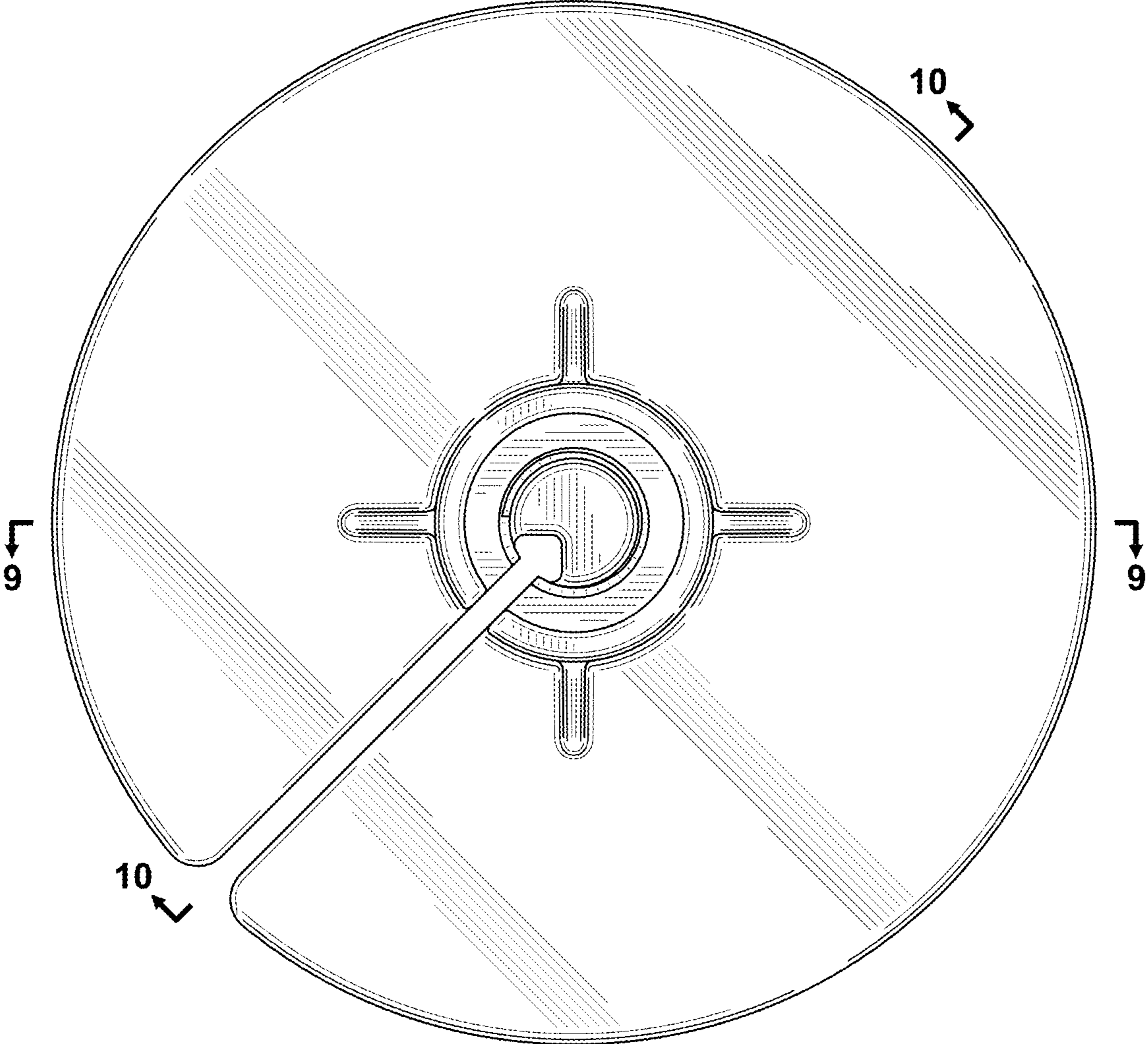


FIG. 7



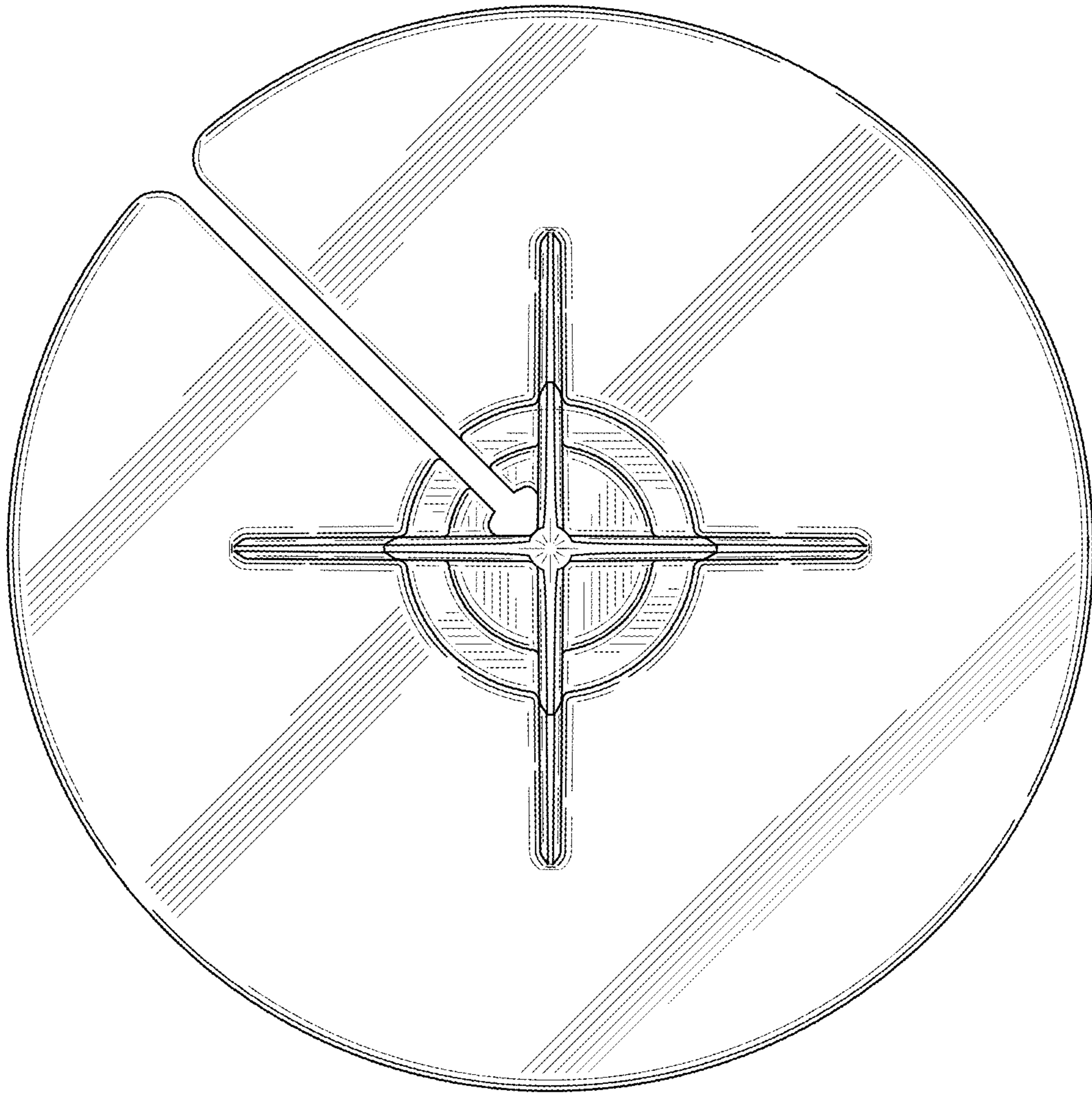


FIG. 8

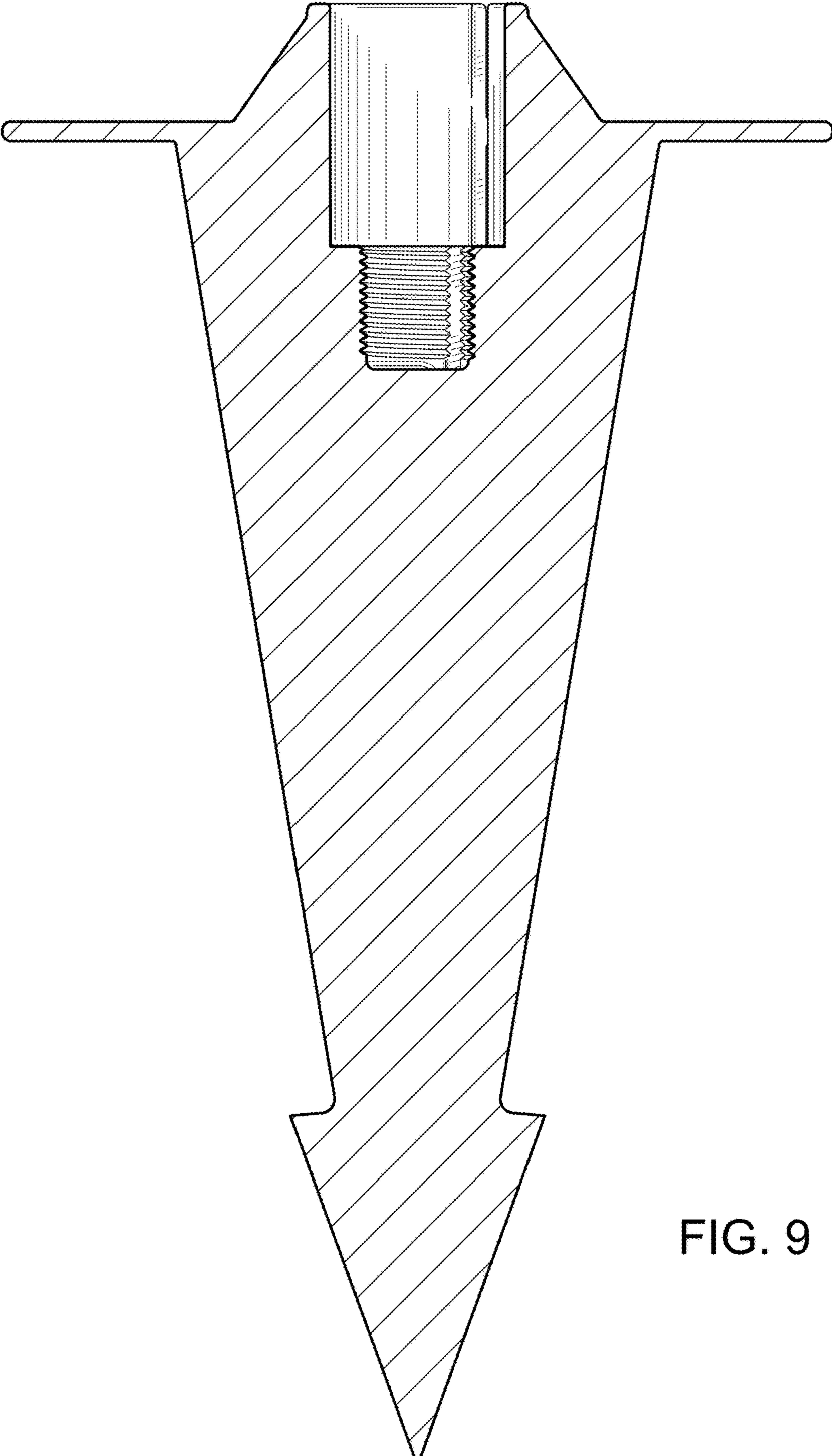


FIG. 9

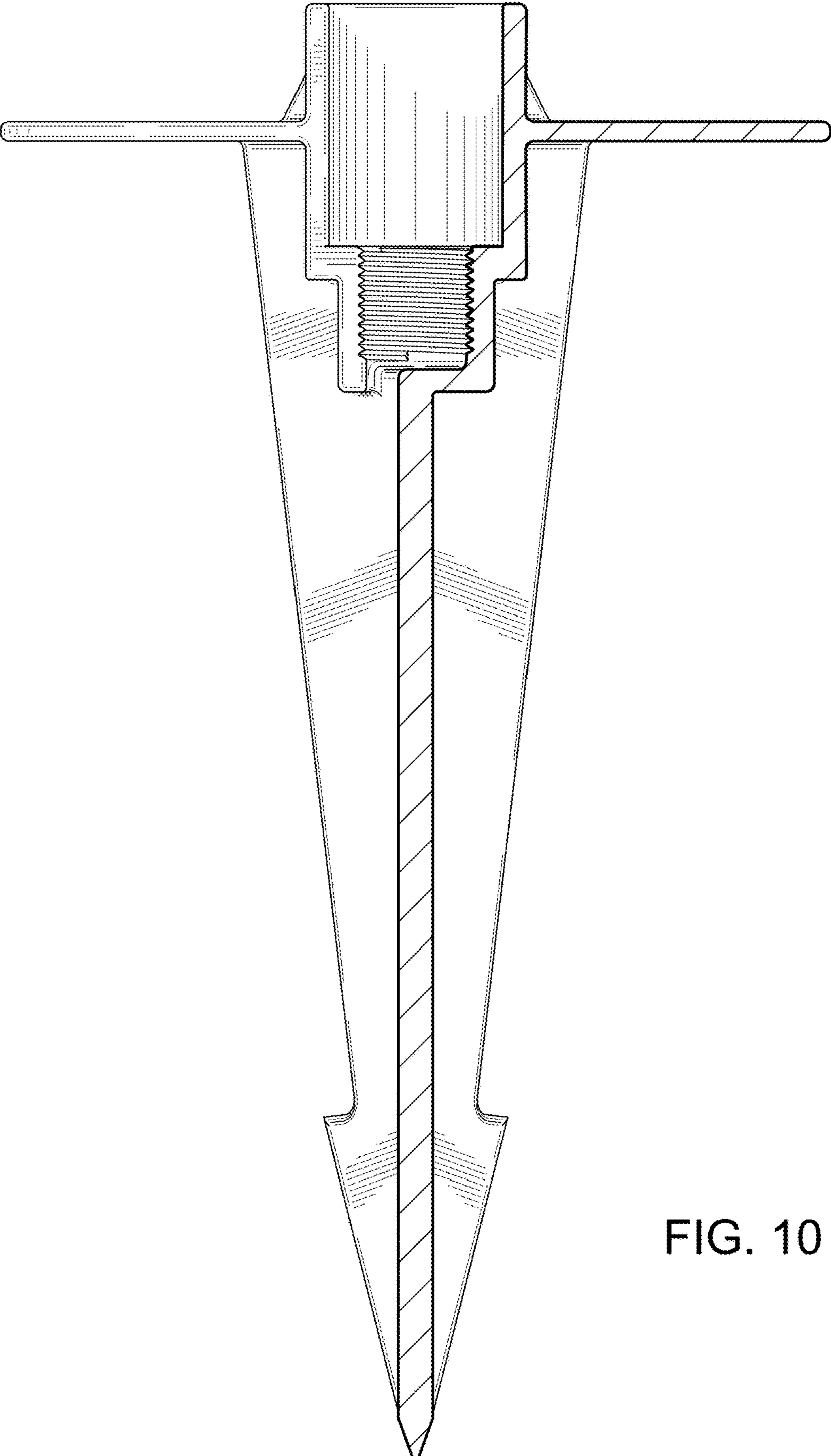


FIG. 10