



US00D887077S

(12) **United States Design Patent** (10) **Patent No.:** **US D887,077 S**  
**Wright** (45) **Date of Patent:** **\*\* Jun. 9, 2020**

- (54) **EDGELIT GARAGE LUMINAIRE**
- (71) Applicant: **Cooper Technologies Company**,  
Houston, TX (US)
- (72) Inventor: **Timothy Wright**, Peachtree City, GA  
(US)
- (73) Assignee: **Eaton Intelligent Power Limited**,  
Dublin (IE)
- (\*\*) Term: **15 Years**
- (21) Appl. No.: **29/626,623**
- (22) Filed: **Nov. 17, 2017**

**Related U.S. Application Data**

- (63) Continuation of application No. 29/542,780, filed on Oct. 16, 2015, now Pat. No. Des. 803,459, which is a continuation of application No. 29/507,334, filed on Oct. 27, 2014, now Pat. No. Des. 741,535, which is a continuation of application No. 29/472,151, filed on Nov. 8, 2013, now Pat. No. Des. 718,485, which is a continuation of application No. 29/452,828, filed on Apr. 22, 2013, now Pat. No. Des. 695,945.
- (51) **LOC (12) Cl.** ..... **26-99**
- (52) **U.S. Cl.**  
USPC ..... **D26/124**; D26/139
- (58) **Field of Classification Search**  
USPC ..... D26/24, 63, 67-70, 72, 74, 80, 84, 88,  
D26/89, 118, 122, 152, 120, 124, 139;  
D10/106.6, 106.8; D13/165, 166  
CPC .... F21S 8/04; F21S 8/026; F21S 8/033; F21S  
8/036; F21S 8/03; F21S 8/043; F21S  
8/046; F21S 8/06; F21S 8/061; F21S  
8/063; F21S 8/068; F21S 8/088; F21S  
13/02; F21S 9/037; F21V 21/04; F21V  
17/02; F21V 17/04; F21V 17/164  
See application file for complete search history.

- (56) **References Cited**
- U.S. PATENT DOCUMENTS

1,156,885 A	10/1915	Caine	
1,350,295 A	8/1920	Champeau	
D56,256 S *	9/1920	Ryder .....	D26/139
D56,258 S *	9/1920	Ryder .....	D26/139
D58,128 S *	6/1921	Alexander .....	D26/139
1,622,087 A	3/1927	Calderwood	
1,756,361 A	4/1930	Johnson	
1,791,480 A	2/1931	Smith et al.	
1,821,733 A	9/1931	Thibodeau	
D106,281 S	10/1937	Browne	
D168,738 S	2/1953	Friedman	

(Continued)

**OTHER PUBLICATIONS**

Round LED Infrared Sensor Recessed Downlight by Lediary. Available at amazon.com Apr. 19, 2017. (Year: 2017).\*

(Continued)

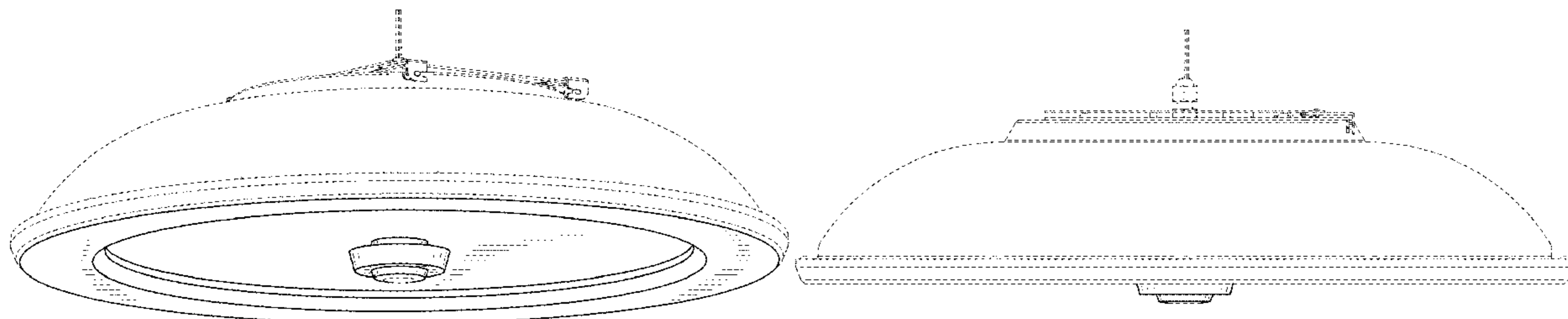
*Primary Examiner* — Clare E Heflin  
(74) *Attorney, Agent, or Firm* — King & Spalding LLP

(57) **CLAIM**  
The ornamental design for an edgelit garage luminaire, as shown and described.

**DESCRIPTION**

FIG. 1 is a top perspective view of an edgelit garage luminaire, showing my new design;  
FIG. 2 is a bottom perspective view thereof;  
FIG. 3 is a bottom plan view thereof;  
FIG. 4 is a top plan view thereof;  
FIG. 5 is a left-side elevation view thereof;  
FIG. 6 is a rear elevation view thereof;  
FIG. 7 is a front elevation view thereof; and,  
FIG. 8 is a right-side elevation view thereof.  
The broken lines shown represent unclaimed subject matter and form no part of the claimed design.

**1 Claim, 5 Drawing Sheets**



(56)

References Cited

U.S. PATENT DOCUMENTS

D209,536 S \* 12/1967 McCain ..... D26/74  
 D211,427 S \* 6/1968 Brubaker ..... D10/106.5  
 D232,050 S 7/1974 Gore et al.  
 D242,943 S 1/1977 Lazerson  
 D259,518 S 6/1981 Garcia  
 D297,219 S \* 8/1988 Taylor ..... D10/106.5  
 D307,560 S \* 5/1990 Andrews ..... D10/106.6  
 D308,947 S \* 7/1990 Downing ..... D10/106.5  
 D346,459 S 4/1994 King  
 D351,481 S 10/1994 Cole, Jr.  
 D360,842 S \* 8/1995 Hu ..... D10/106.6  
 D368,043 S \* 3/1996 Pun ..... D10/106.6  
 D374,189 S \* 10/1996 Hubben ..... D10/106.6  
 D384,431 S 9/1997 Bitton  
 D404,325 S \* 1/1999 Bender ..... D10/106.6  
 D419,094 S \* 1/2000 Chang ..... D10/106.8  
 D468,049 S 12/2002 Ries et al.  
 6,588,922 B1 7/2003 DeCicco  
 D482,160 S \* 11/2003 Paffrath ..... D26/139  
 D556,939 S 12/2007 Gajewski  
 D558,386 S 12/2007 Bickler  
 D584,442 S 1/2009 Benensohn  
 D588,301 S 3/2009 Sabernig  
 D597,430 S \* 8/2009 Sloan ..... D10/106.6  
 D602,192 S 10/2009 Tunze  
 D603,284 S \* 11/2009 Sloan ..... D10/106.6  
 7,673,841 B2 3/2010 Wronski  
 7,735,795 B2 6/2010 Wronski  
 7,810,775 B2 10/2010 Dal Ponte et al.  
 7,832,889 B1 11/2010 Cogliano  
 D633,645 S 3/2011 Verelst  
 7,896,529 B2 3/2011 Wronski  
 8,038,113 B2 10/2011 Fryzek et al.  
 D648,060 S \* 11/2011 Yamamoto ..... D26/120  
 D656,263 S 3/2012 Ogawa  
 D656,265 S 3/2012 Sabernig  
 D658,802 S 5/2012 Chen  
 8,177,176 B2 5/2012 Nguyen et al.  
 D663,466 S \* 7/2012 Rashidi ..... D26/74  
 D663,470 S 7/2012 Ruiz  
 8,240,630 B2 8/2012 Wronski

D668,809 S 10/2012 Rashidi  
 D677,417 S 3/2013 Rashidi  
 D678,097 S \* 3/2013 Elwell ..... D10/106.6  
 D678,585 S 3/2013 Schmitt  
 D681,859 S 5/2013 Beregszaszi  
 D681,863 S \* 5/2013 Chen ..... D26/74  
 D682,131 S \* 5/2013 Bhate ..... D10/106.6  
 D690,049 S \* 9/2013 Rashidi ..... D26/74  
 D690,453 S 9/2013 Guercio et al.  
 D695,945 S 12/2013 Wright  
 8,622,361 B2 1/2014 Wronski  
 D706,152 S \* 6/2014 Ni ..... D10/106.6  
 D718,485 S 11/2014 Wright  
 D727,549 S 4/2015 Wang  
 D727,552 S 4/2015 Stolte  
 D735,924 S 8/2015 Boyer  
 D741,535 S 10/2015 Wright  
 D742,583 S 11/2015 Gettings  
 D746,511 S 12/2015 Gettings  
 D757,584 S \* 5/2016 Pusey ..... D10/106.5  
 D767,809 S 9/2016 Gotz-Schafer  
 D770,661 S \* 11/2016 Huang ..... D26/74  
 D772,466 S 11/2016 Zhang  
 D773,947 S \* 12/2016 Scarcella ..... D10/104.1  
 D827,914 S \* 9/2018 Momin ..... D26/124  
 2005/0183344 A1 8/2005 Ziobro et al.  
 2005/0230589 A1 10/2005 Wronski  
 2005/0247842 A1 11/2005 Wronski  
 2007/0012847 A1 1/2007 Tai  
 2007/0075206 A1 4/2007 Wright et al.  
 2007/0261881 A1 11/2007 Wronski

OTHER PUBLICATIONS

Radio Power Saver Wireless Occupancy Sensor by Lutron. lutron.com visited Aug. 19, 2019. (Year: 2019).\*  
 LED Kumho 15 W Auto Sensor Motion Detector Light from ebay.com last updated Apr. 28, 2019. (Year: 2019).\*  
 110-130V Round Ceiling Mounting Microwave Motion Sensor Auto-Control Light Switch from <https://gtldot.en.alibaba.com>, visited Aug. 19, 2019. (Year: 2019).\*

\* cited by examiner

FIG. 1

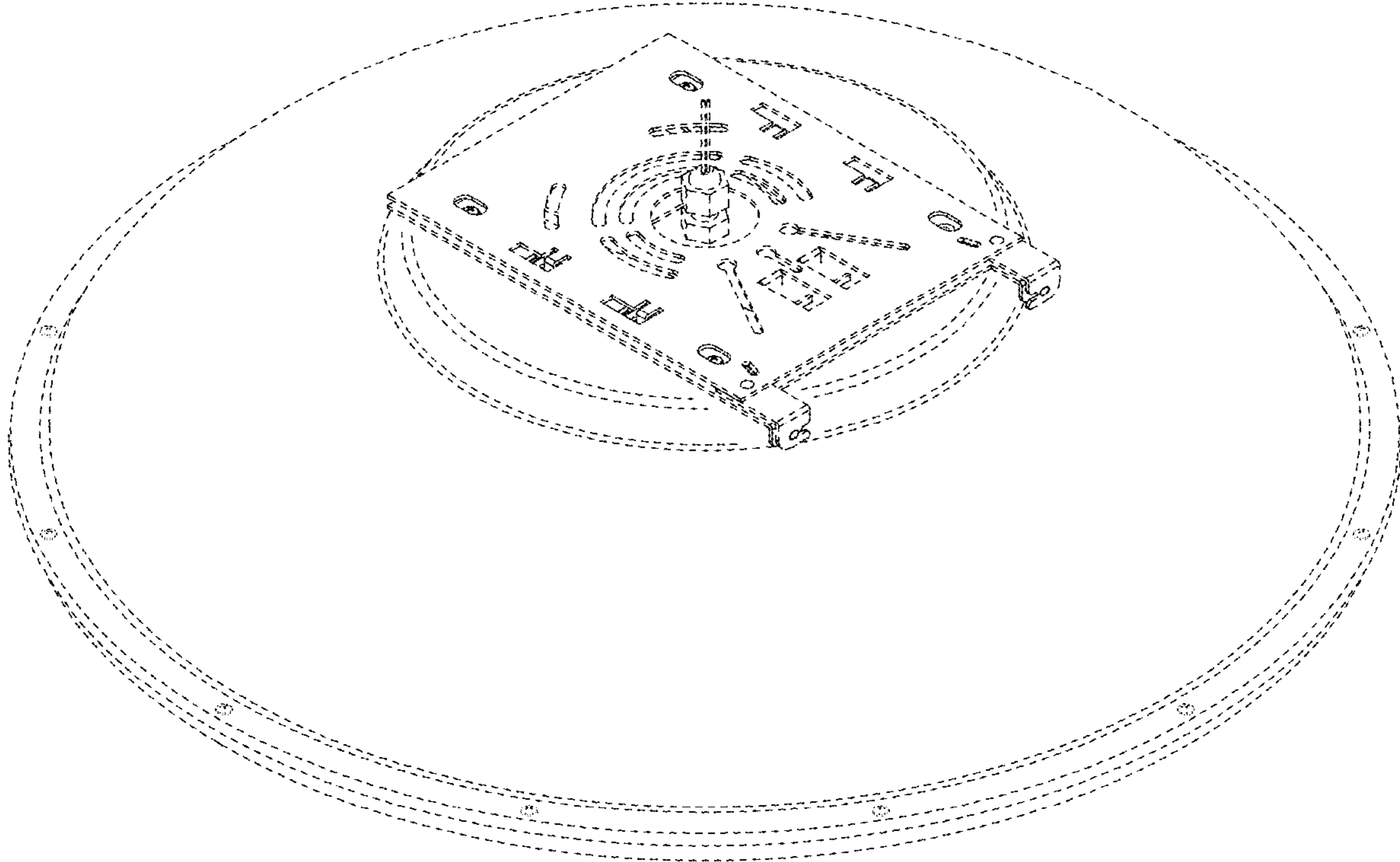


FIG. 2

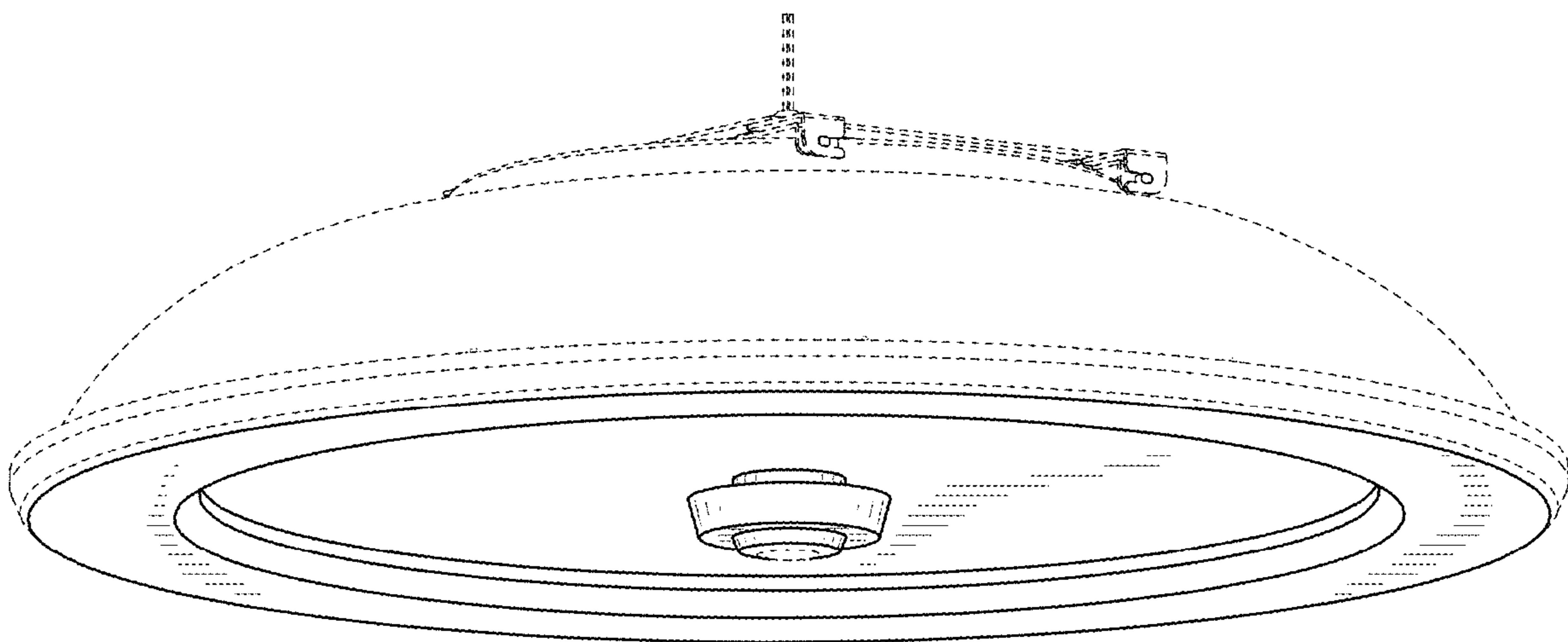




FIG. 3

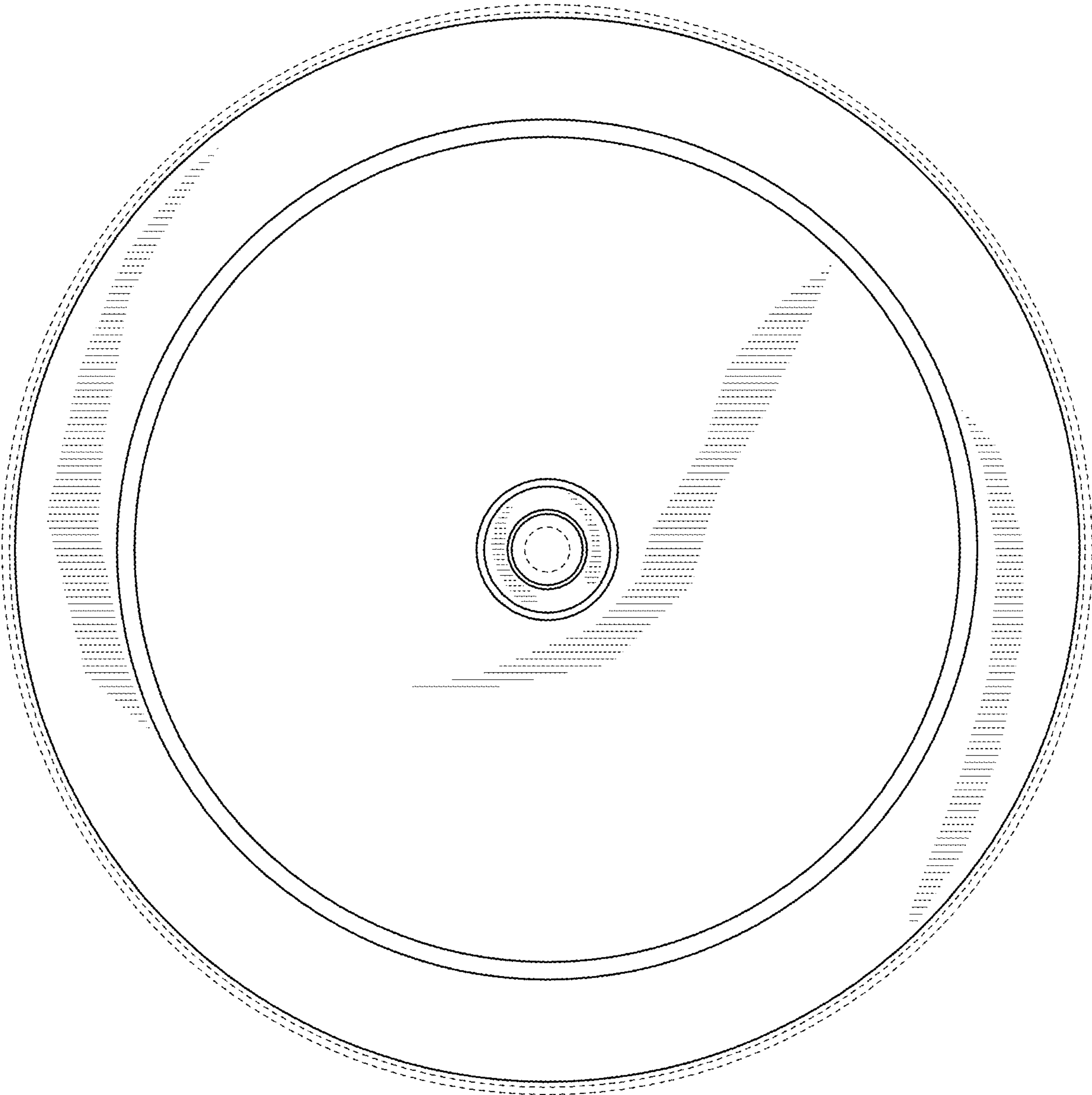


FIG. 4

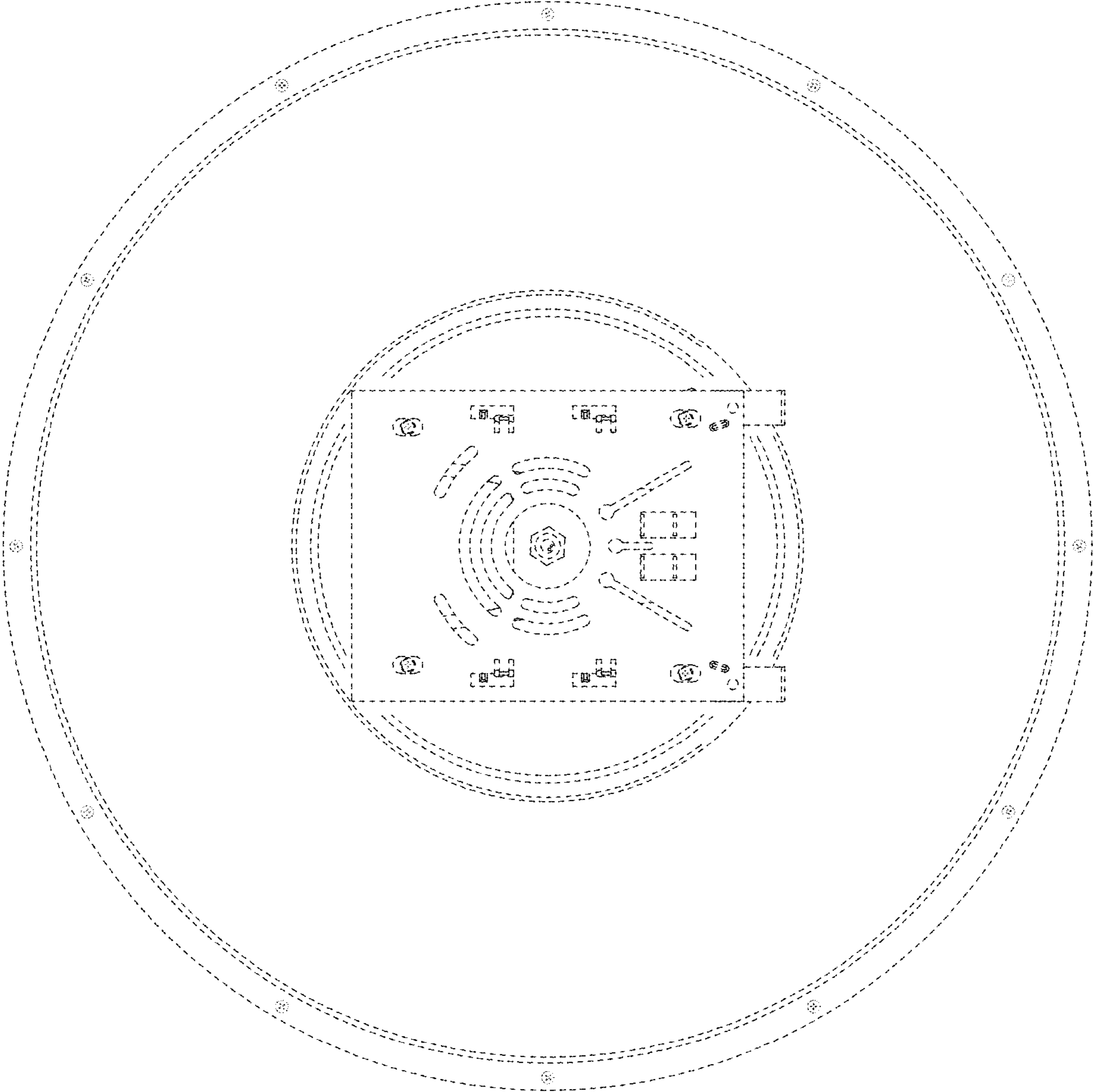


FIG. 5

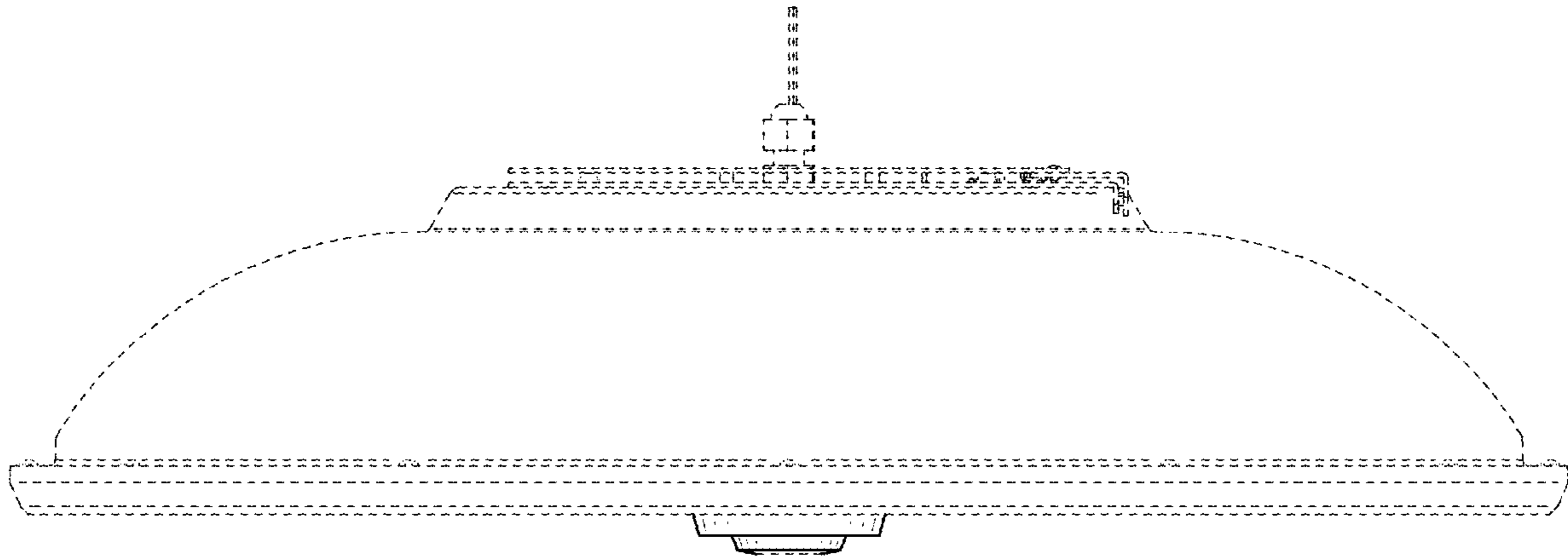


FIG. 6

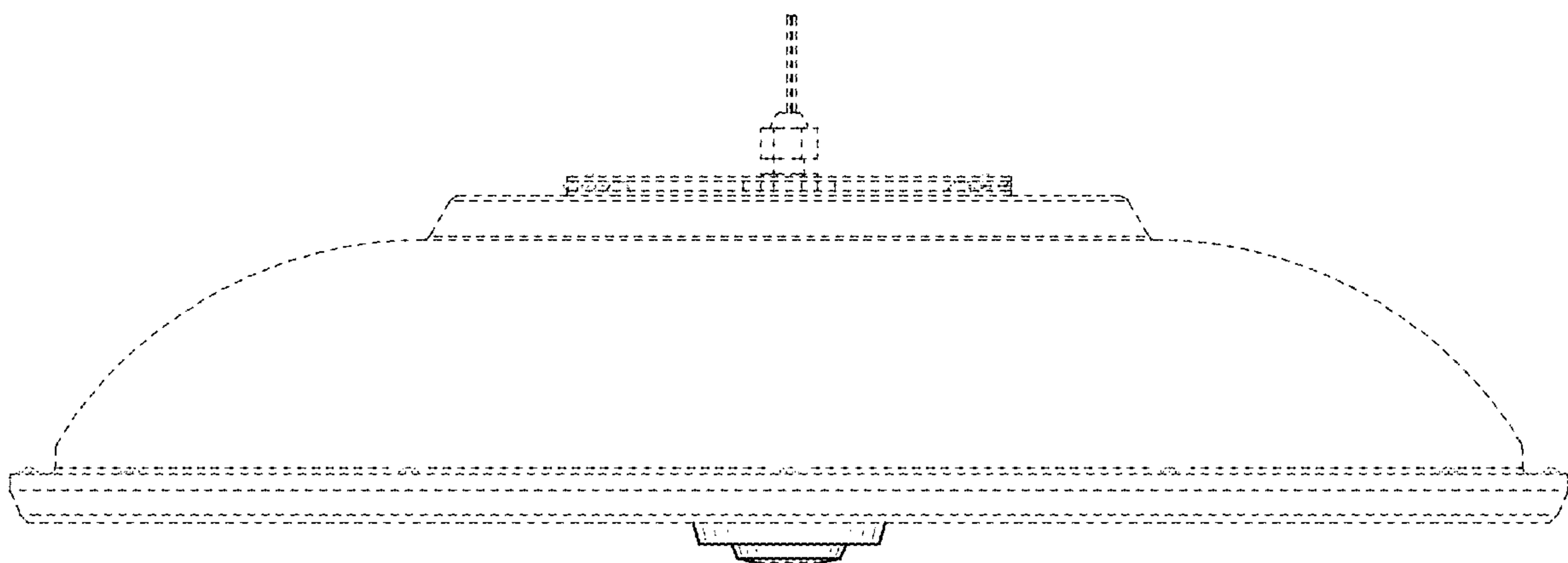


FIG. 7

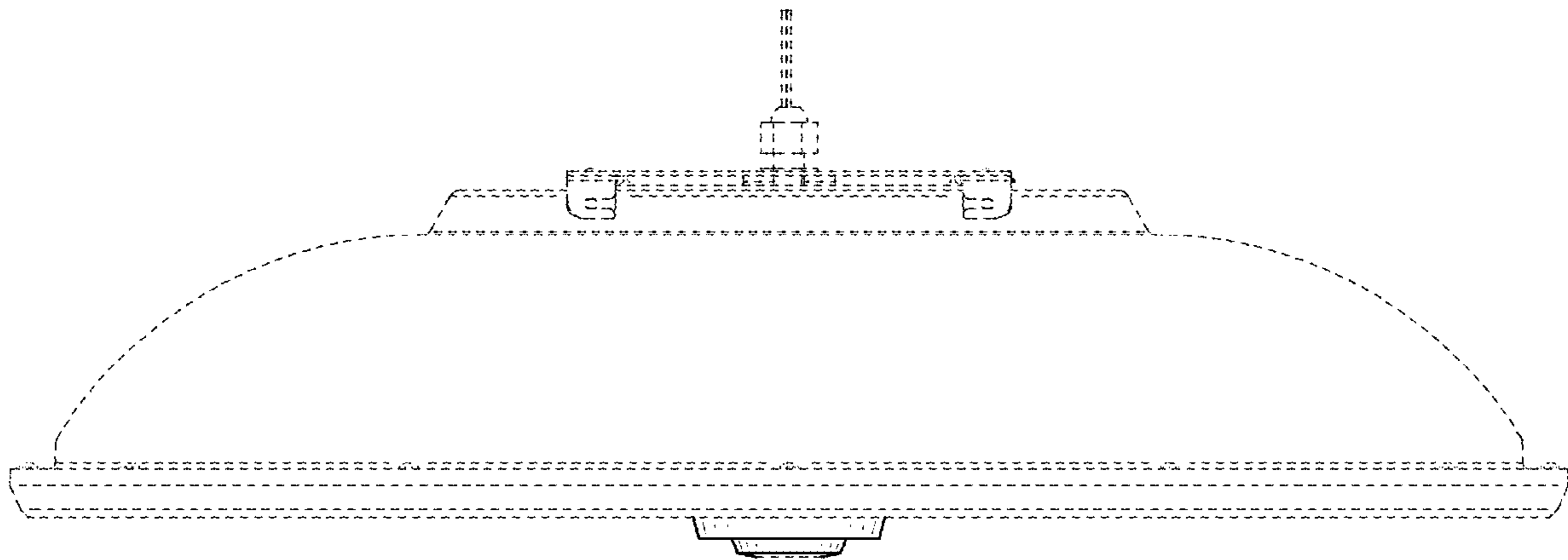


FIG. 8

