



US00D887076S

(12) **United States Design Patent**  
**Chami et al.**

(10) **Patent No.:** **US D887,076 S**  
(45) **Date of Patent:** **\*\* Jun. 9, 2020**

(54) **BULLET LIGHT LUMINAIRE**

(71) Applicant: **MAXLITE, INC.**, West Caldwell, NJ  
(US)

(72) Inventors: **Aymen Chami**, Hackettstown, NJ (US);  
**Eric Clohosey**, East Rutherford, NJ  
(US)

(73) Assignee: **MAXLITE, INC.**, West Caldwell, NJ  
(US)

(\*\*) Term: **15 Years**

(21) Appl. No.: **29/646,697**

(22) Filed: **May 7, 2018**

(51) **LOC (12) Cl.** ..... **26-05**

(52) **U.S. Cl.**  
USPC ..... **D26/118**

(58) **Field of Classification Search**  
USPC .... D16/202, 203; D26/63, 67, 68, 118, 128,  
D26/138

CPC .... F21S 8/003; F21S 8/08; F21S 8/081; F21S  
8/083; F21S 9/03; F21S 9/032; F21S  
9/035; F21S 9/037; F21S 10/007; F21V  
21/0824; F21V 21/26; F21V 21/30;  
F21W 2121/004; F21W 2121/006; F21W  
2121/008; F21W 2131/10; F21W  
2131/109; G02B 27/20; G03B 21/56  
See application file for complete search history.

(56) **References Cited**

**U.S. PATENT DOCUMENTS**

D258,314 S \* 2/1981 Leon ..... D26/63  
4,882,667 A \* 11/1989 Skegin ..... F21V 21/34  
362/373

D348,744 S \* 7/1994 Johnson ..... D26/63  
D389,268 S \* 1/1998 Kay ..... D26/118  
D519,662 S \* 4/2006 Mullen ..... D26/61  
D560,838 S \* 1/2008 Monroe ..... D26/63  
D659,871 S \* 5/2012 Lee ..... D26/63  
D757,968 S \* 5/2016 Olson ..... D26/28  
D818,171 S \* 5/2018 Brynjolfsson ..... D26/63  
D827,691 S \* 9/2018 Zhong ..... D16/203  
2006/0193138 A1 \* 8/2006 Montefusco ..... F21V 11/00  
362/359  
2017/0219188 A1 \* 8/2017 Veloskey ..... F21V 19/02

\* cited by examiner

*Primary Examiner* — Leanne Was-Englehart

(74) *Attorney, Agent, or Firm* — Budzyn IP Law, LLC

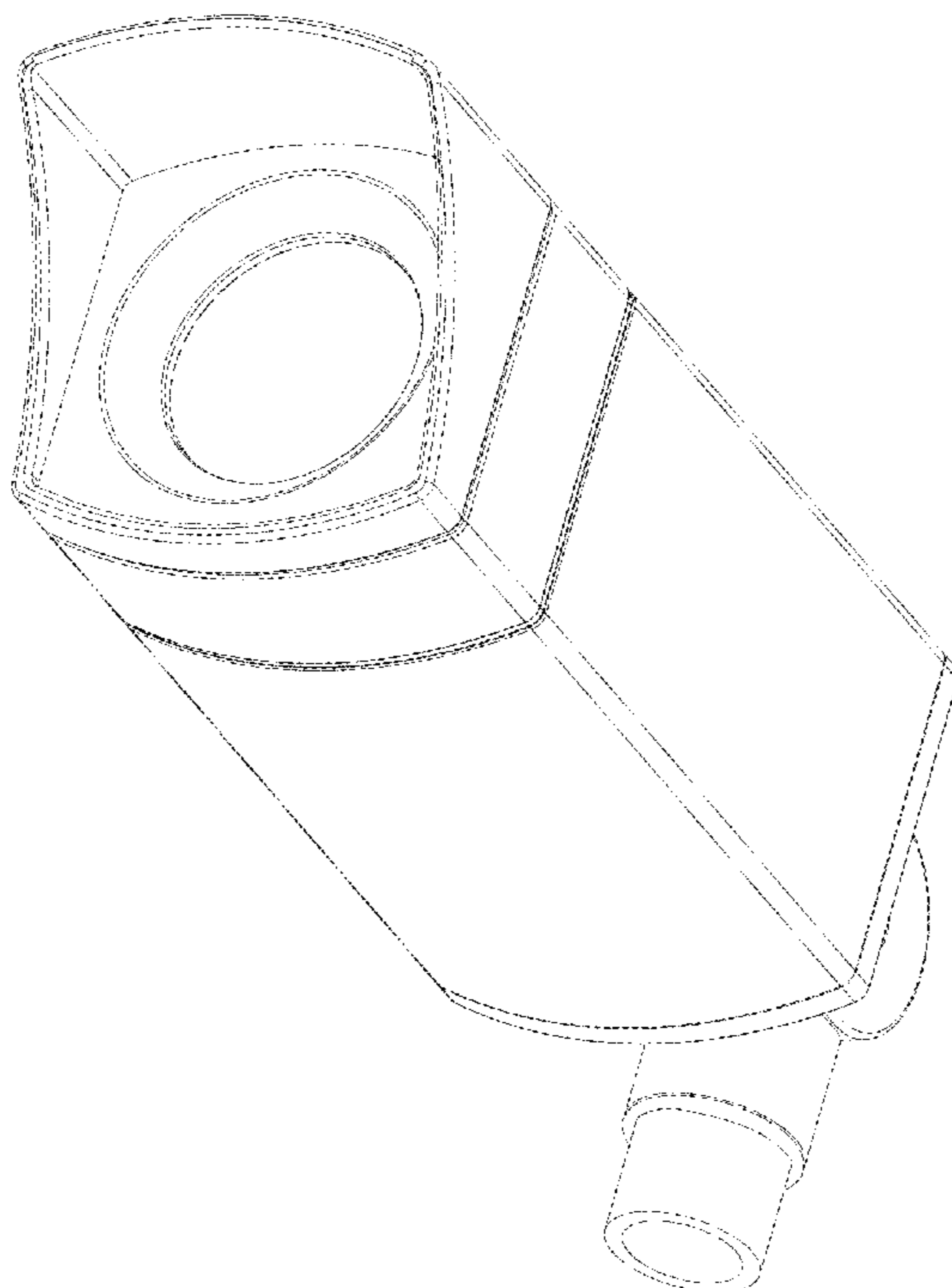
(57) **CLAIM**

The ornamental design for a bullet light luminaire, as shown and described.

**DESCRIPTION**

FIG. 1 is a front, upward perspective view of a bullet light luminaire;  
FIG. 2 is a front, downward perspective view thereof;  
FIG. 3 is a left side elevational view thereof;  
FIG. 4 is a right side elevational view thereof;  
FIG. 5 is a front elevational view thereof;  
FIG. 6 is a rear elevational view thereof;  
FIG. 7 is a top plan view thereof; and,  
FIG. 8 is a bottom plan view thereof.  
The broken lines in the Figures are included for the purpose of illustrating unclaimed portions of the bullet light luminaire and form no part of the claimed design.

**1 Claim, 8 Drawing Sheets**



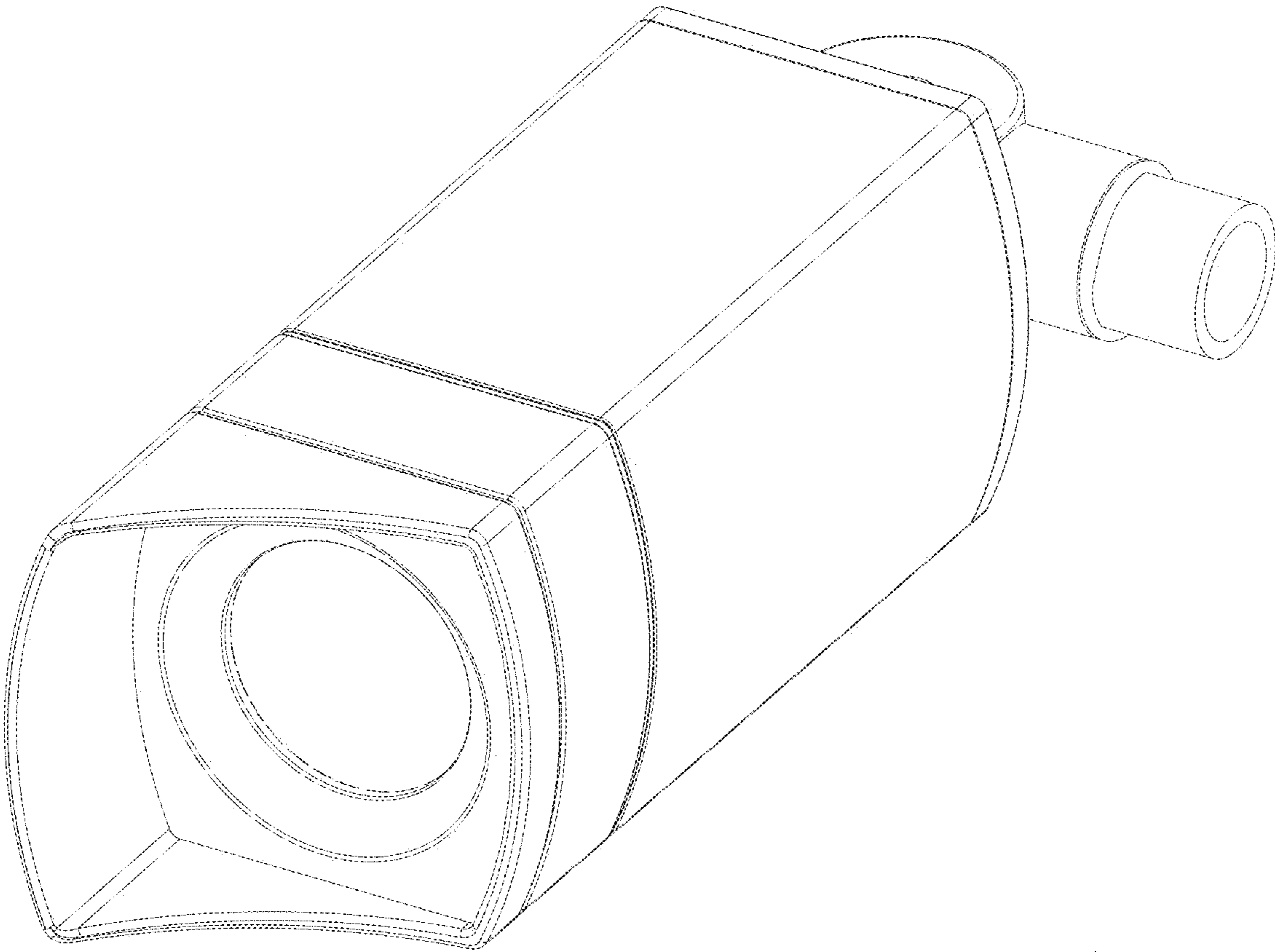


FIG. 1

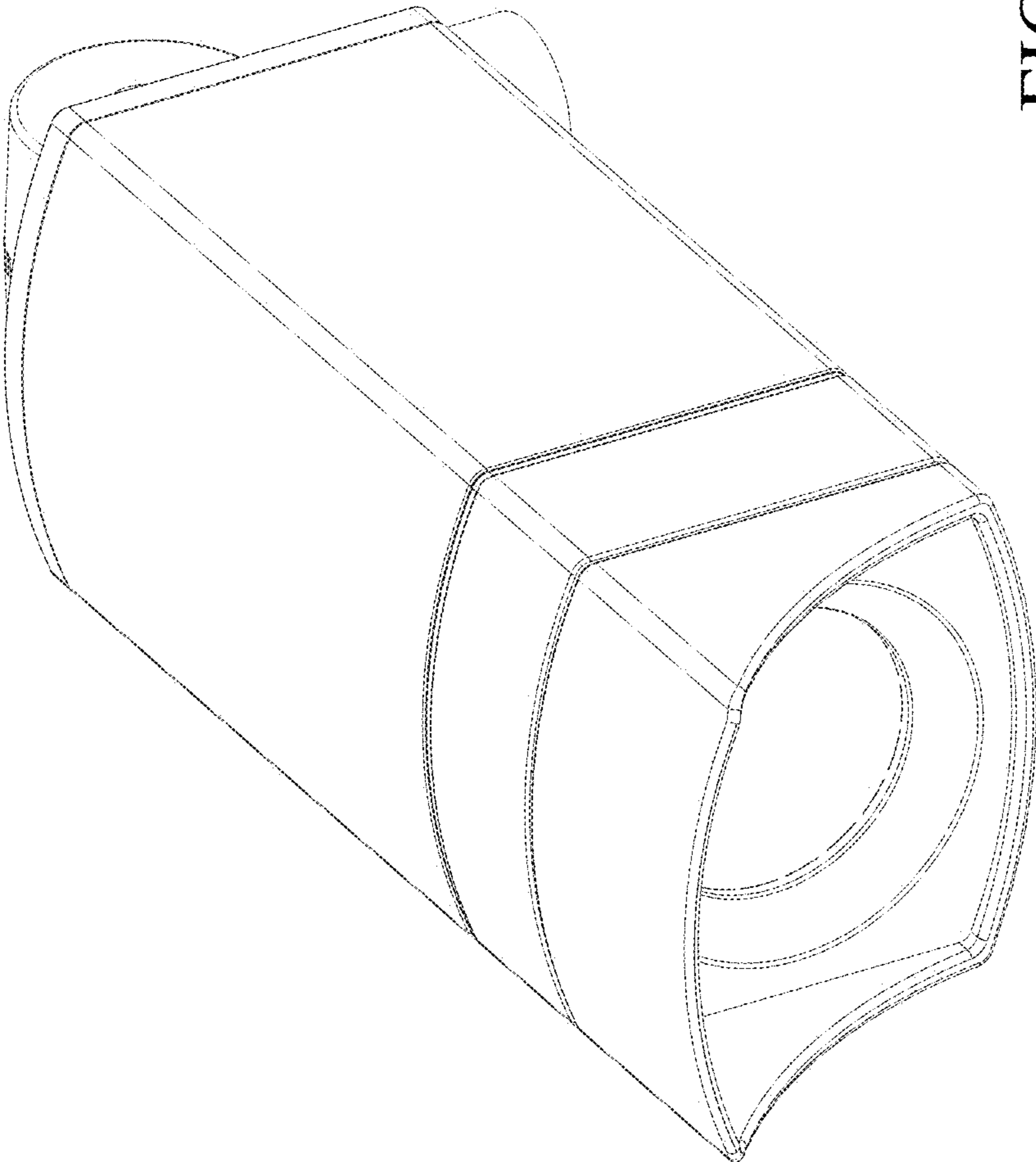


FIG. 2

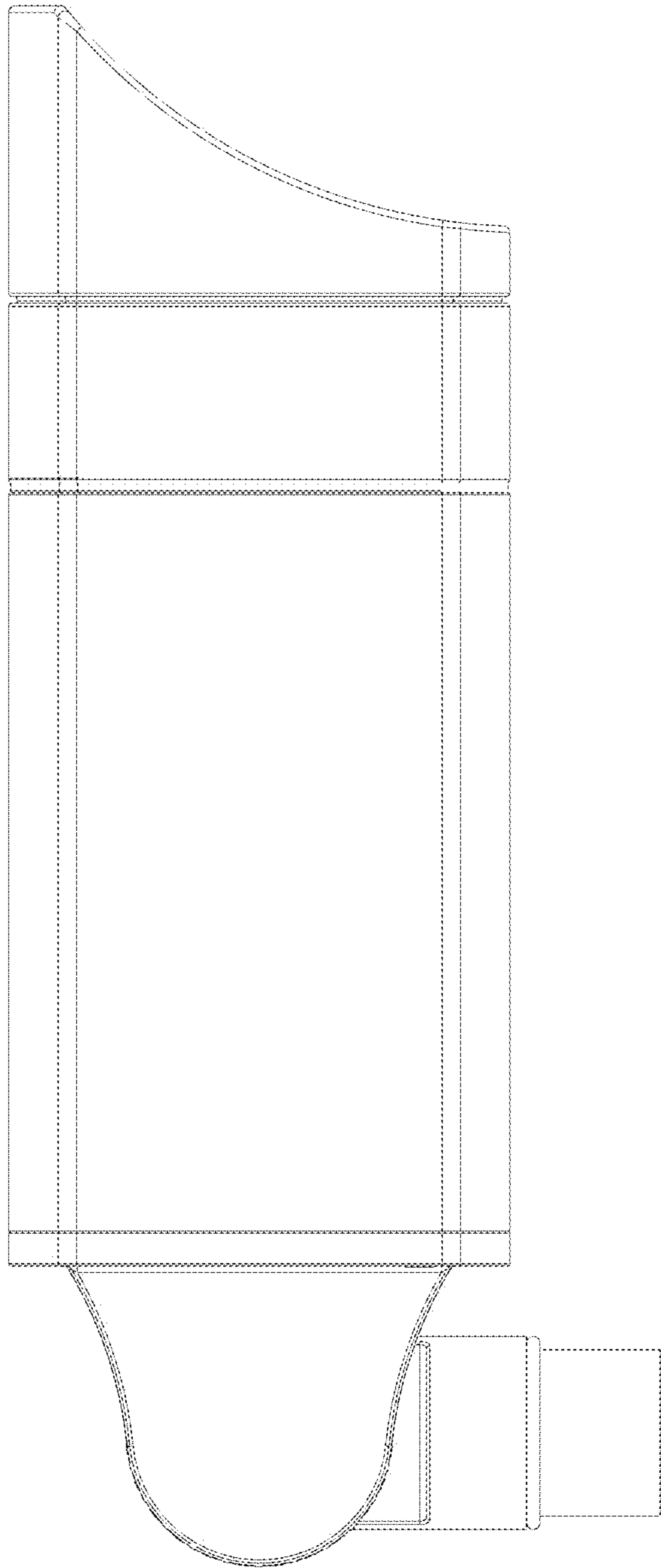


FIG. 3

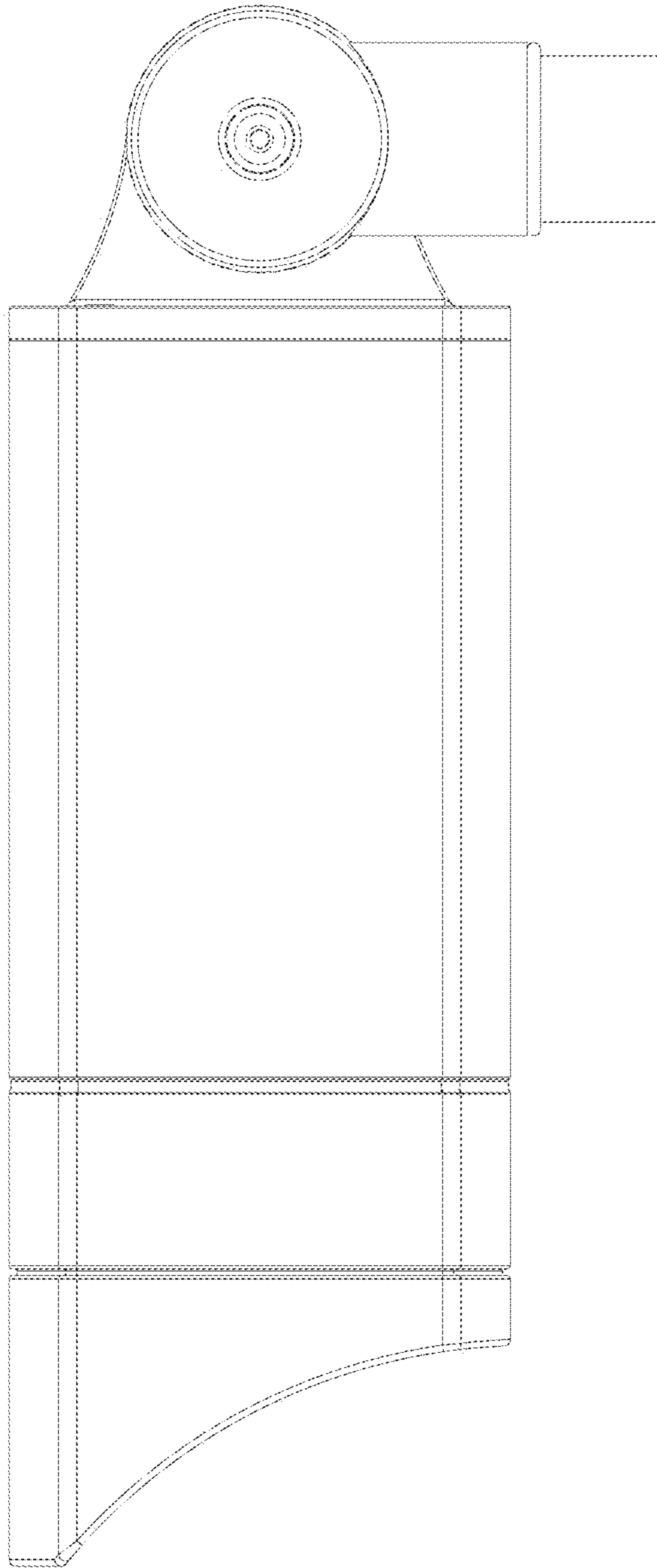


FIG. 4

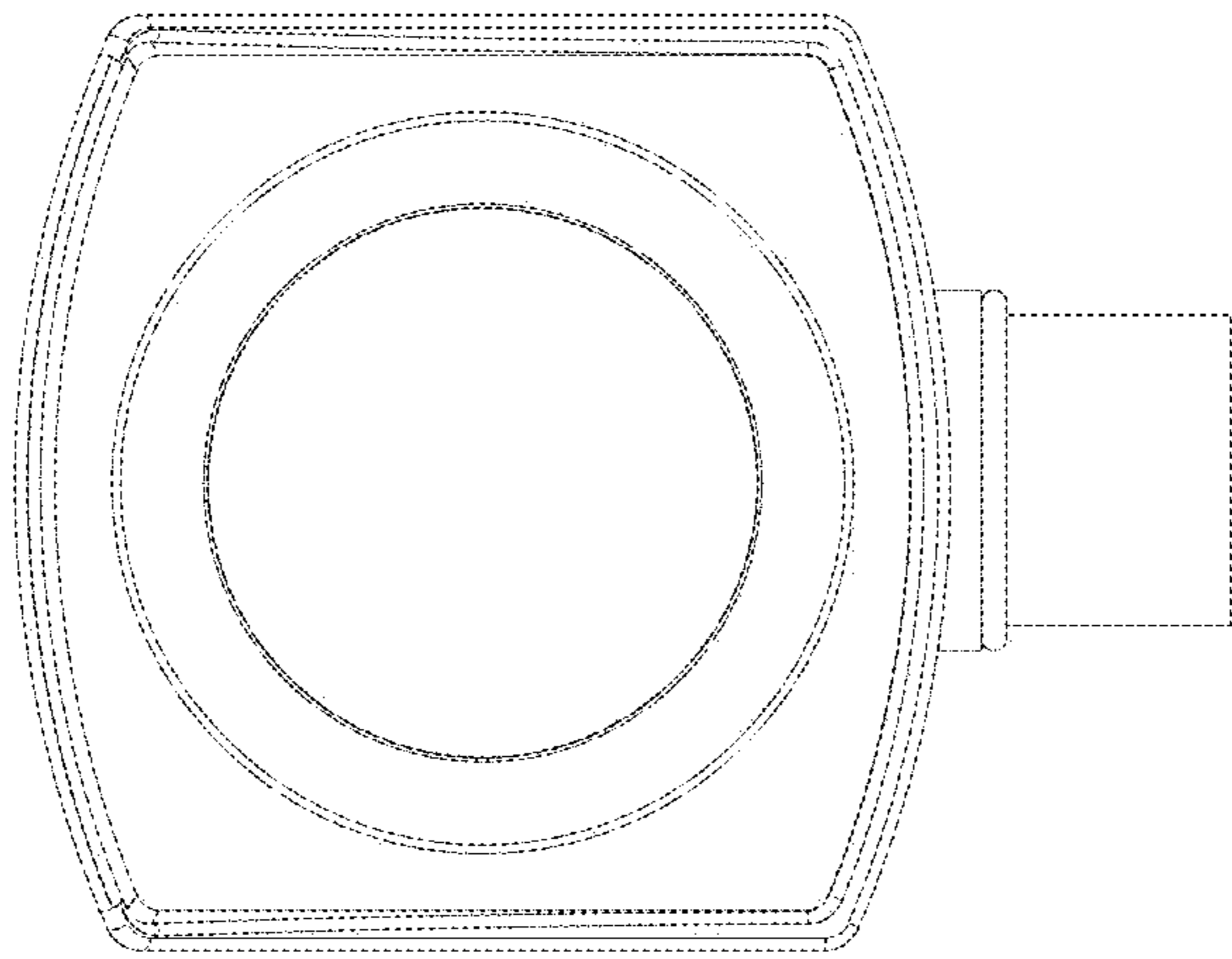


FIG. 5

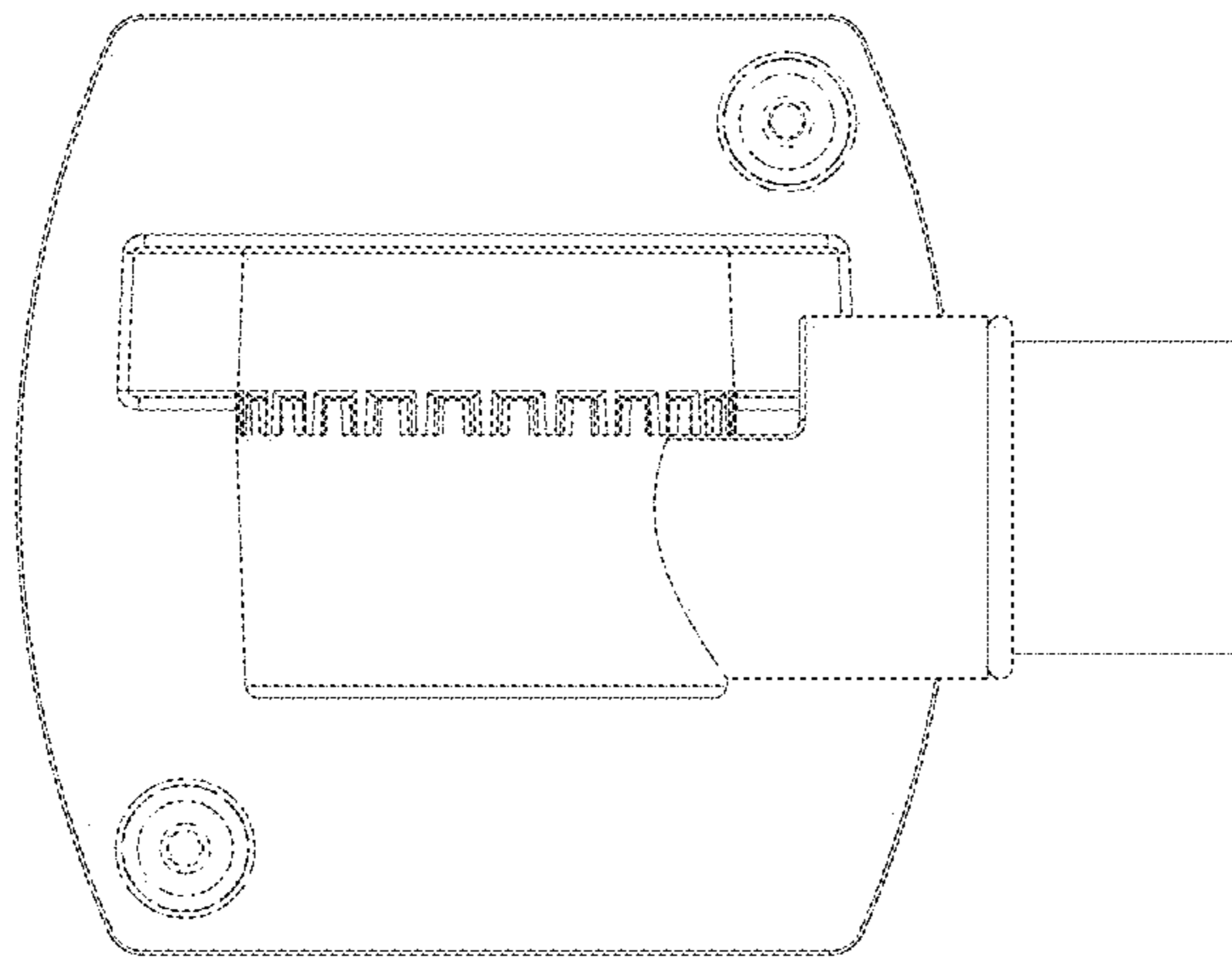


FIG. 6



FIG. 7





FIG. 8