



US00D887072S

(12) **United States Design Patent**
Lee

(10) **Patent No.:** **US D887,072 S**
(45) **Date of Patent:** **** Jun. 9, 2020**

- (54) **LAMP**
- (71) Applicant: **Hui-Lun Lee**, New Taipei (TW)
- (72) Inventor: **Hui-Lun Lee**, New Taipei (TW)
- (**) Term: **15 Years**
- (21) Appl. No.: **29/656,750**
- (22) Filed: **Jul. 16, 2018**
- (51) **LOC (12) Cl.** **26-03**
- (52) **U.S. Cl.**
USPC **D26/110**
- (58) **Field of Classification Search**
USPC D26/1, 24, 93, 106, 110, 124
CPC .. F21S 8/04; F21V 15/02; F21V 21/03; F21V
29/20; F21V 29/2212
See application file for complete search history.

- D746,508 S * 12/2015 Deluca D26/118
- D770,552 S * 11/2016 Radl D26/124
- D810,353 S * 2/2018 Sempe D26/118

* cited by examiner

Primary Examiner — Brian N. Vinson
(74) *Attorney, Agent, or Firm* — Chun-Ming Shih;
Lanway IPR Services

(57) **CLAIM**

The ornamental design for lamp, as shown and described.

DESCRIPTION

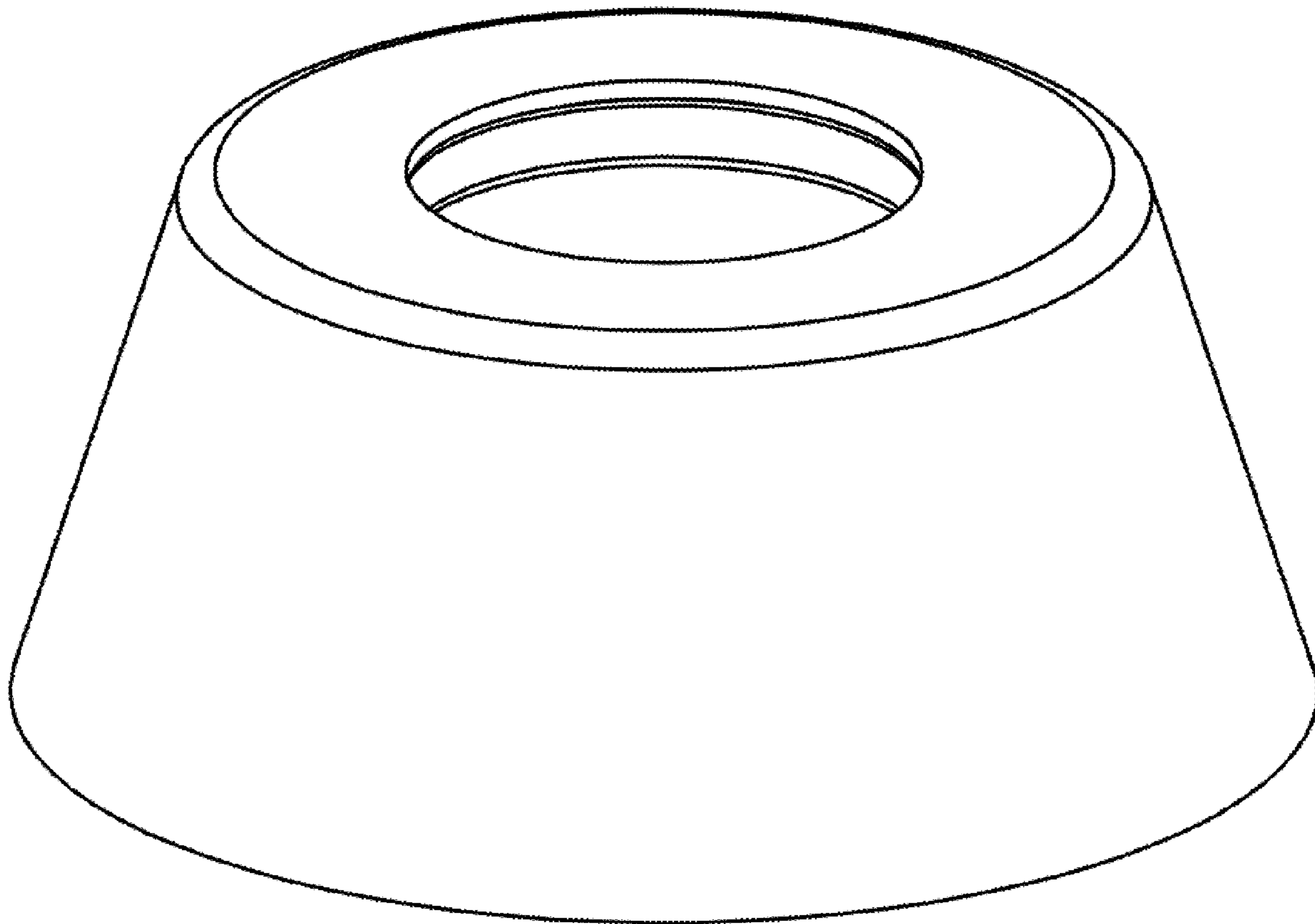
FIG. 1 is a perspective view of the lamp showing my new design;
FIG. 2 is a front view thereof;
FIG. 3 is a back view thereof;
FIG. 4 is a left side view thereof;
FIG. 5 is a right side view thereof;
FIG. 6 is a top view thereof; and,
FIG. 7 is a bottom view thereof.

(56) **References Cited**

U.S. PATENT DOCUMENTS

- D689,649 S * 9/2013 Popper D26/124
- D705,978 S * 5/2014 Rhodes D26/110

1 Claim, 7 Drawing Sheets



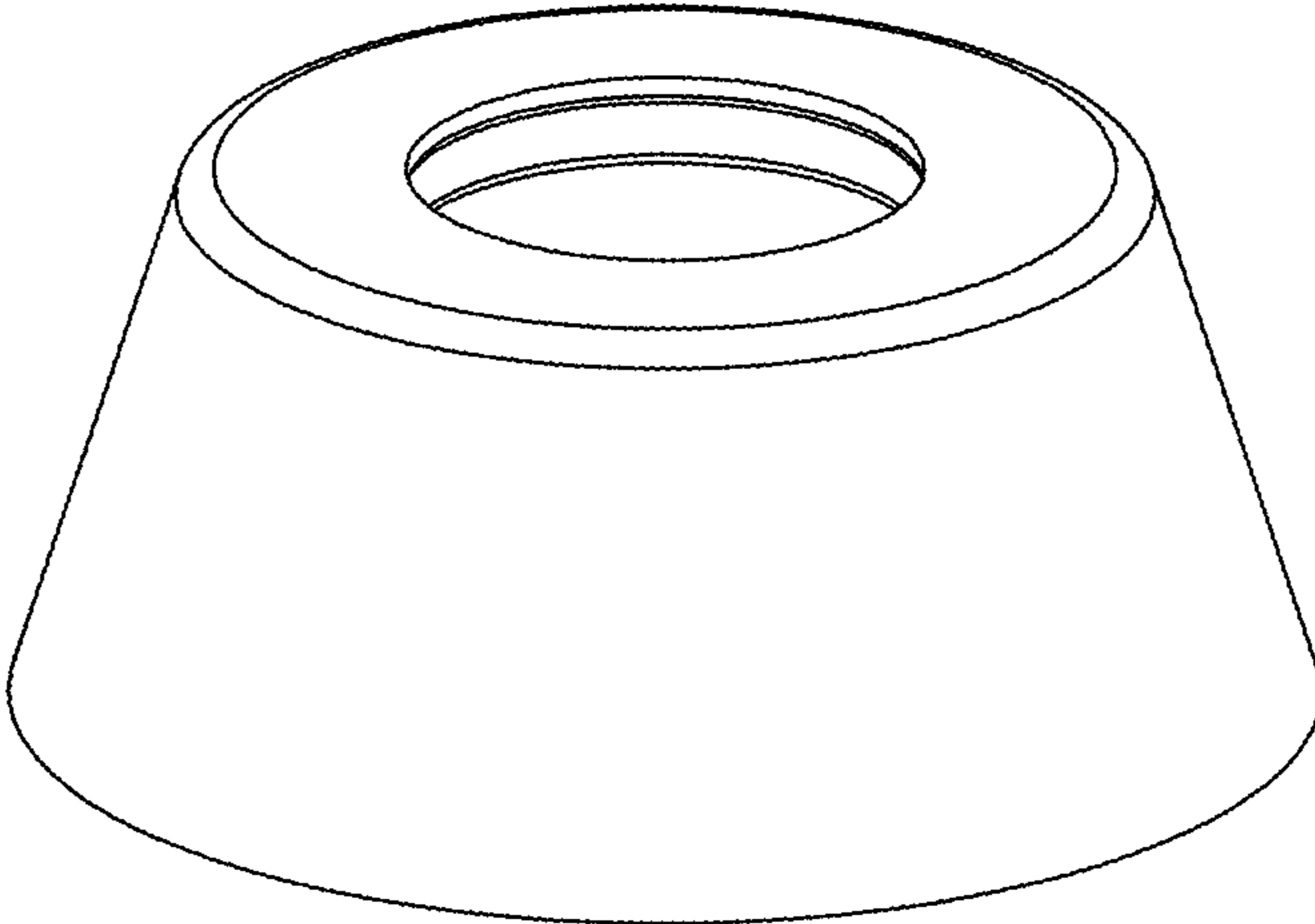


Fig. 1

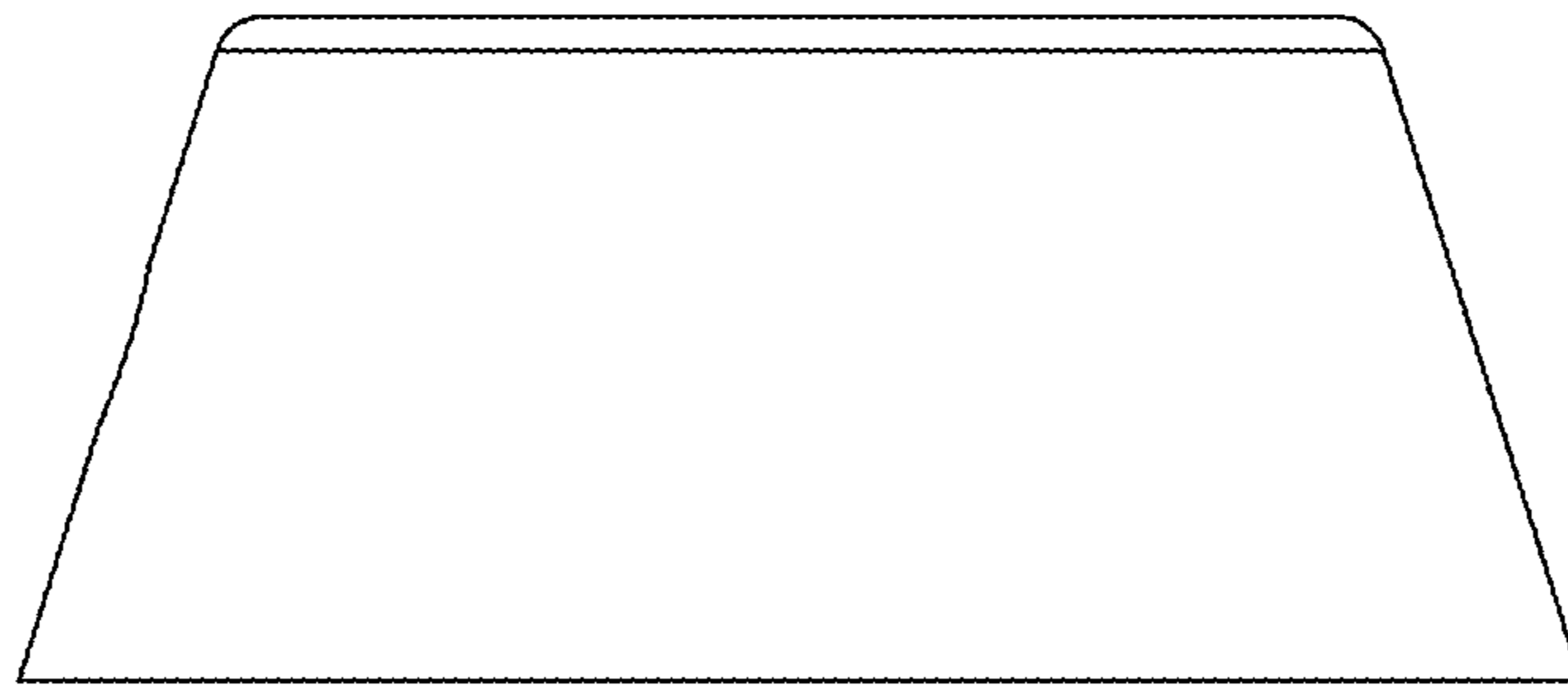


Fig. 2

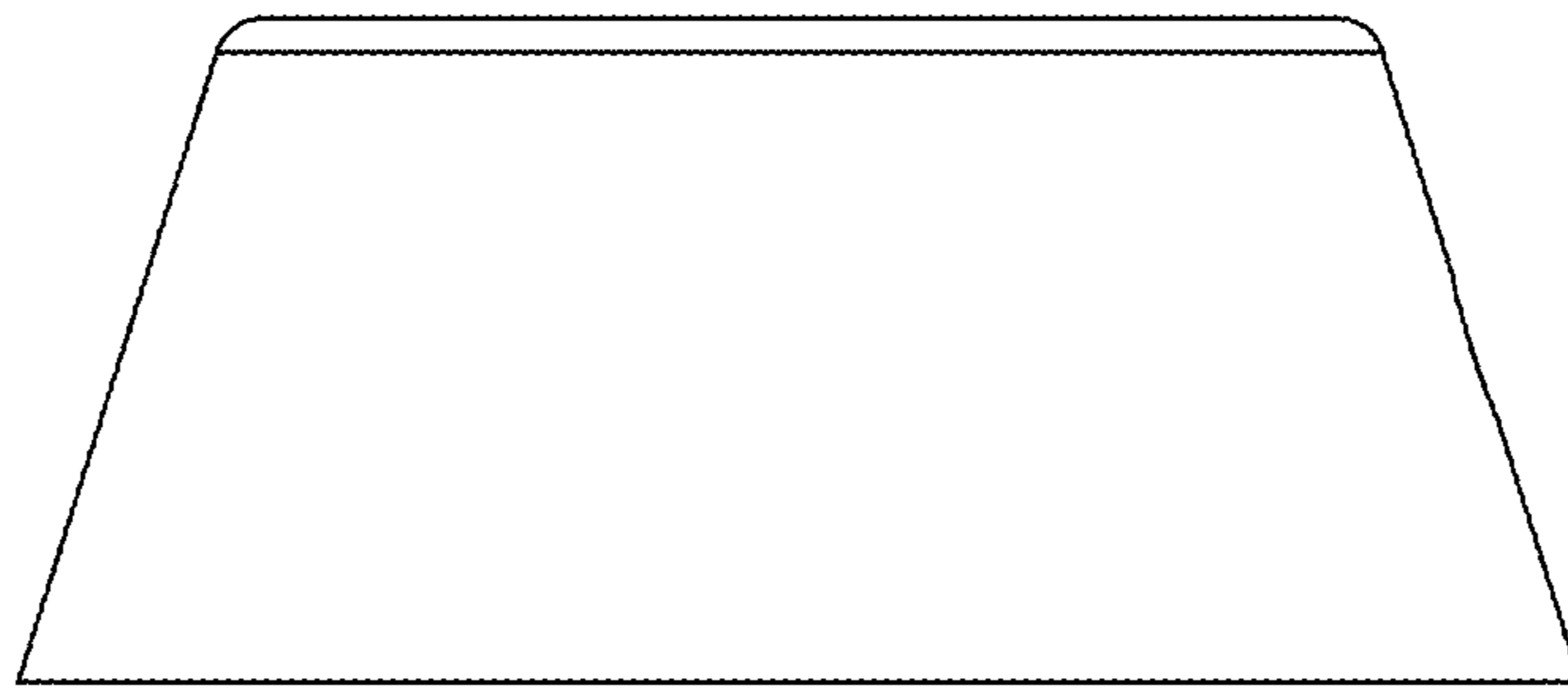


Fig. 3

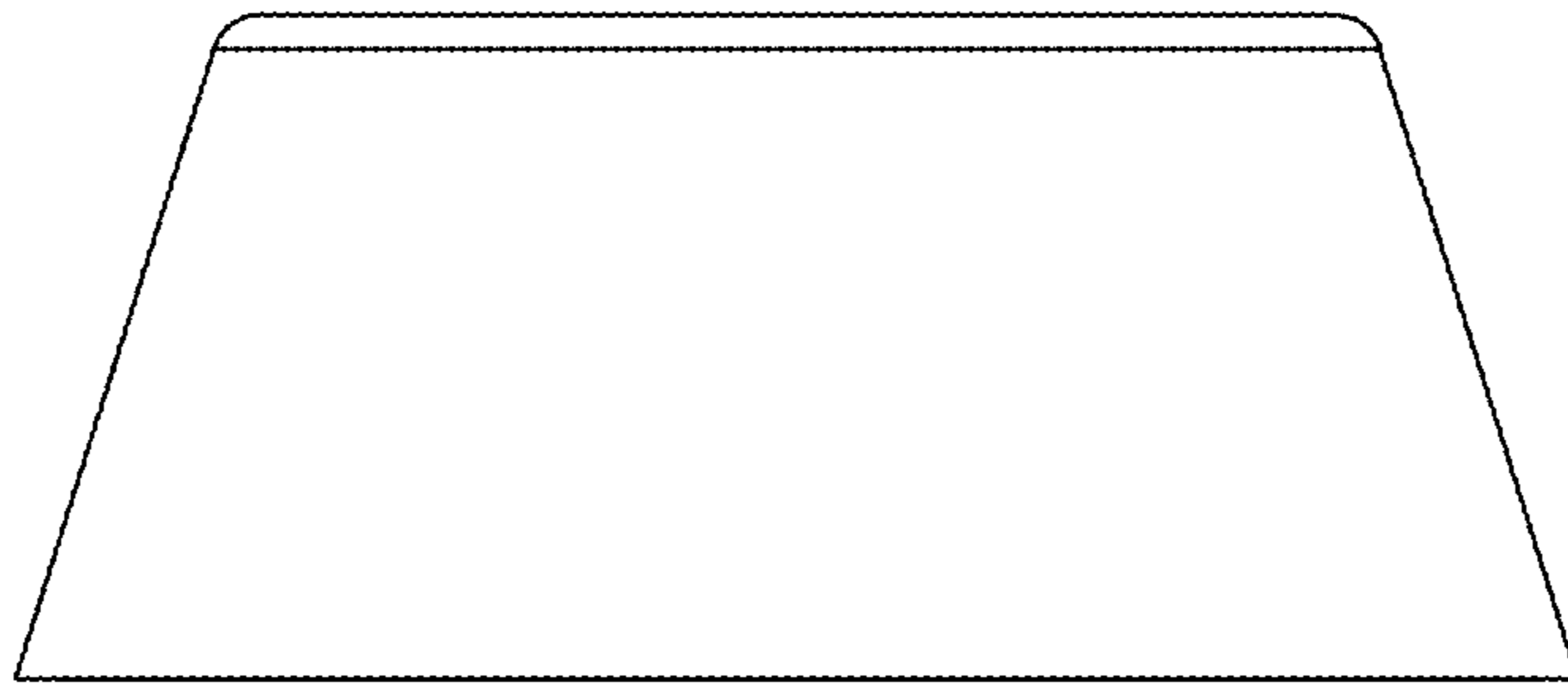


Fig. 4

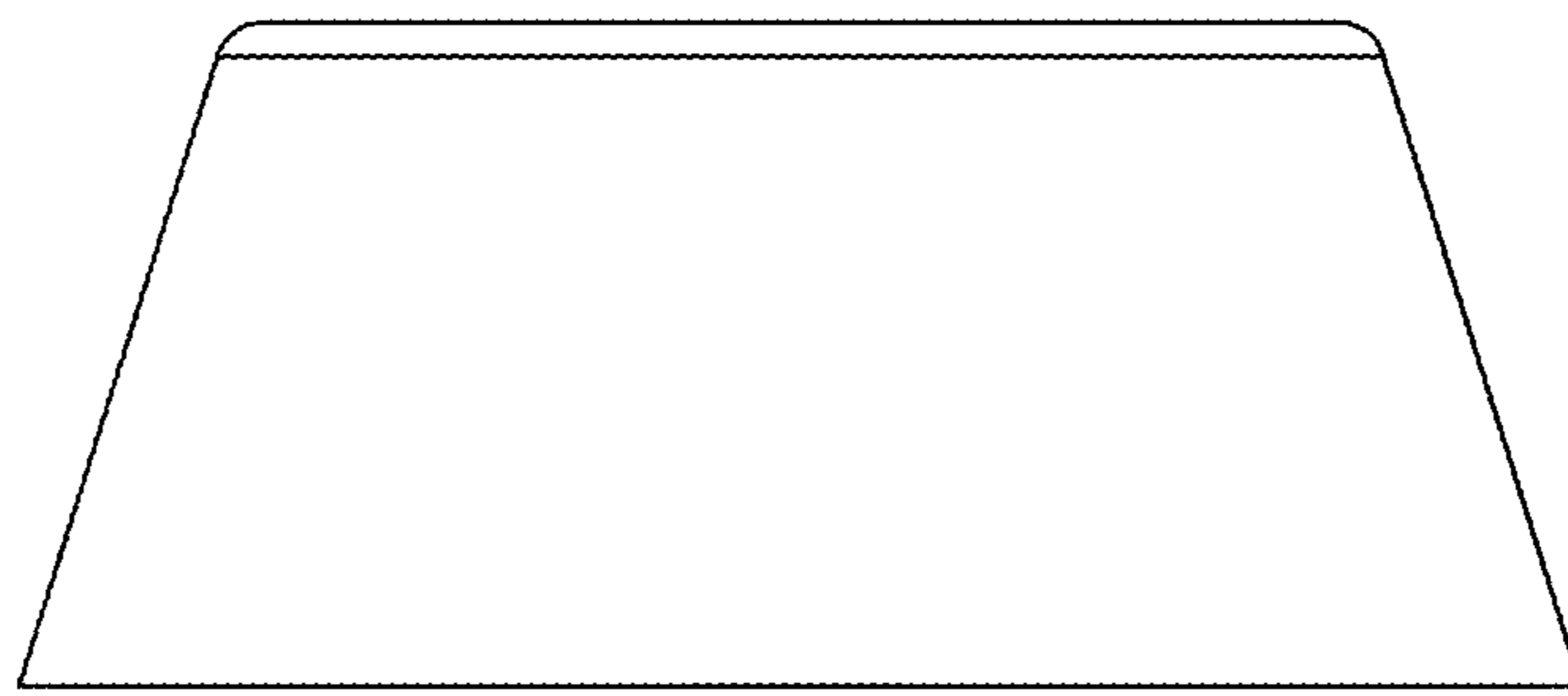


Fig. 5

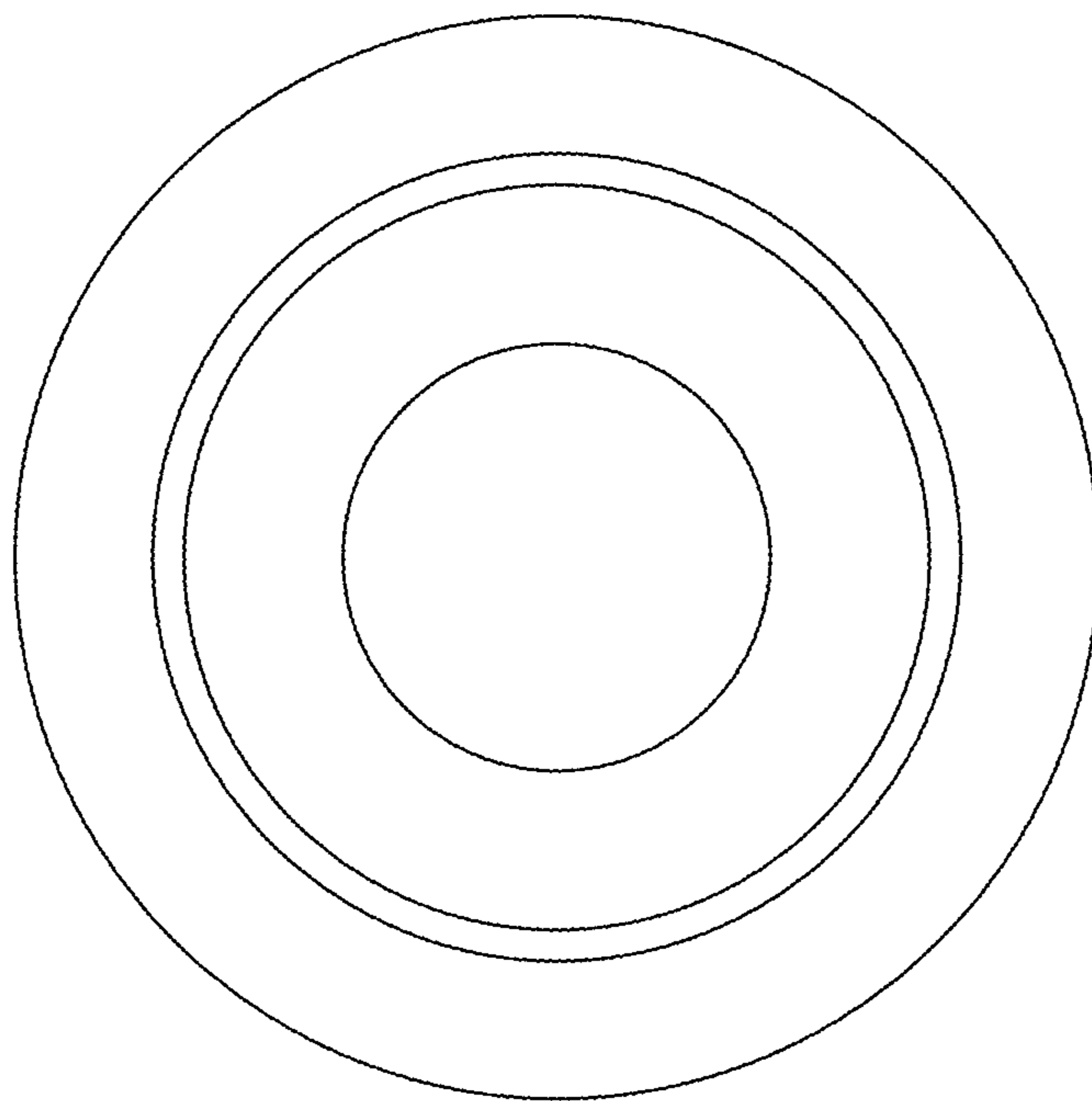


Fig. 6

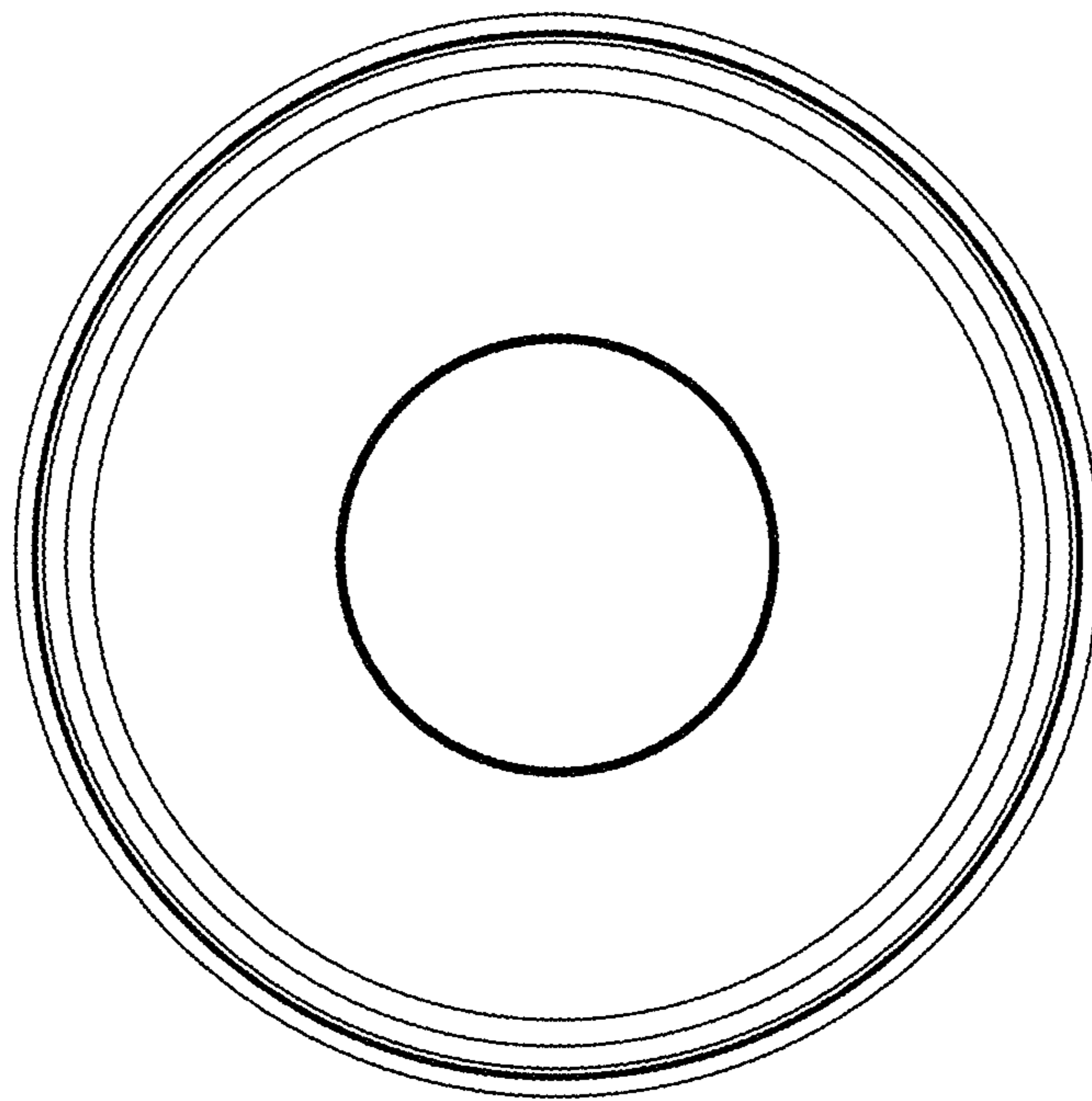


Fig. 7