



US00D887067S

(12) **United States Design Patent**  
**Dulley et al.**

(10) **Patent No.:** **US D887,067 S**

(45) **Date of Patent:** **\*\* Jun. 9, 2020**

(54) **LIGHT FIXTURE**

(71) Applicant: **Buster and Punch Limited**, Stamford (GB)

(72) Inventors: **Iain Dulley**, Winchester (GB);  
**Massimo Minale**, London (GB)

(73) Assignee: **Buster and Punch Limited**, Stamford (GB)

(\*\*) Term: **15 Years**

(21) Appl. No.: **29/617,213**

(22) Filed: **Sep. 12, 2017**

(30) **Foreign Application Priority Data**

Mar. 13, 2017	(EM)	003797158-0001
Mar. 13, 2017	(EM)	003797158-0002
Mar. 13, 2017	(EM)	003797158-0003
Mar. 13, 2017	(EM)	003797158-0004
Mar. 13, 2017	(EM)	003797158-0005
Mar. 13, 2017	(EM)	003797158-0006
Mar. 13, 2017	(EM)	003797158-0007
Mar. 13, 2017	(EM)	003797158-0008

(51) **LOC (12) Cl.** ..... **26-03**

(52) **U.S. Cl.**  
USPC ..... **D26/87**; D26/85

(58) **Field of Classification Search**  
USPC ..... D26/72, 85, 86, 87, 92  
CPC .... F21S 8/03; F21S 8/033; F21S 8/036; F21S 8/037; F21S 9/037; F21V 1/04  
See application file for complete search history.

(56) **References Cited**

**U.S. PATENT DOCUMENTS**

D206,454 S	*	12/1966	Rosen	.....	D26/80
D244,310 S	*	5/1977	Dunning	.....	D26/85

D271,528 S	*	11/1983	Muller	.....	D26/85
D439,361 S	*	3/2001	Berry	.....	D26/87
D483,143 S	*	12/2003	Orozco	.....	D26/87
D646,833 S	*	10/2011	Chen	.....	D26/67
D713,089 S	*	9/2014	Orozco	.....	D26/85
D815,334 S	*	4/2018	Hu	.....	D26/94
D837,436 S	*	1/2019	Orozco	.....	D26/85
D838,401 S	*	1/2019	Joyeux	.....	D26/85

**OTHER PUBLICATIONS**

Astro Homefield Outdoor Pendant Ceiling Light, Product code: 70270104 from johnlewis.com visited Jul. 17, 2019. (Year: 2019).\*  
Homefield Lantern with Motion Sensor by Astro Lighting. Date first available at amazon.com.uk Jun. 4, 2014. (Year: 2014).\*  
Messina #130 7861 from Astro Lighting. Date first available at amazon.com.uk Oct. 29, 2017. (Year: 2017).\*

\* cited by examiner

*Primary Examiner* — Clare E Hefflin

(74) *Attorney, Agent, or Firm* — DASCENZO Intellectual Property Law, P.C.

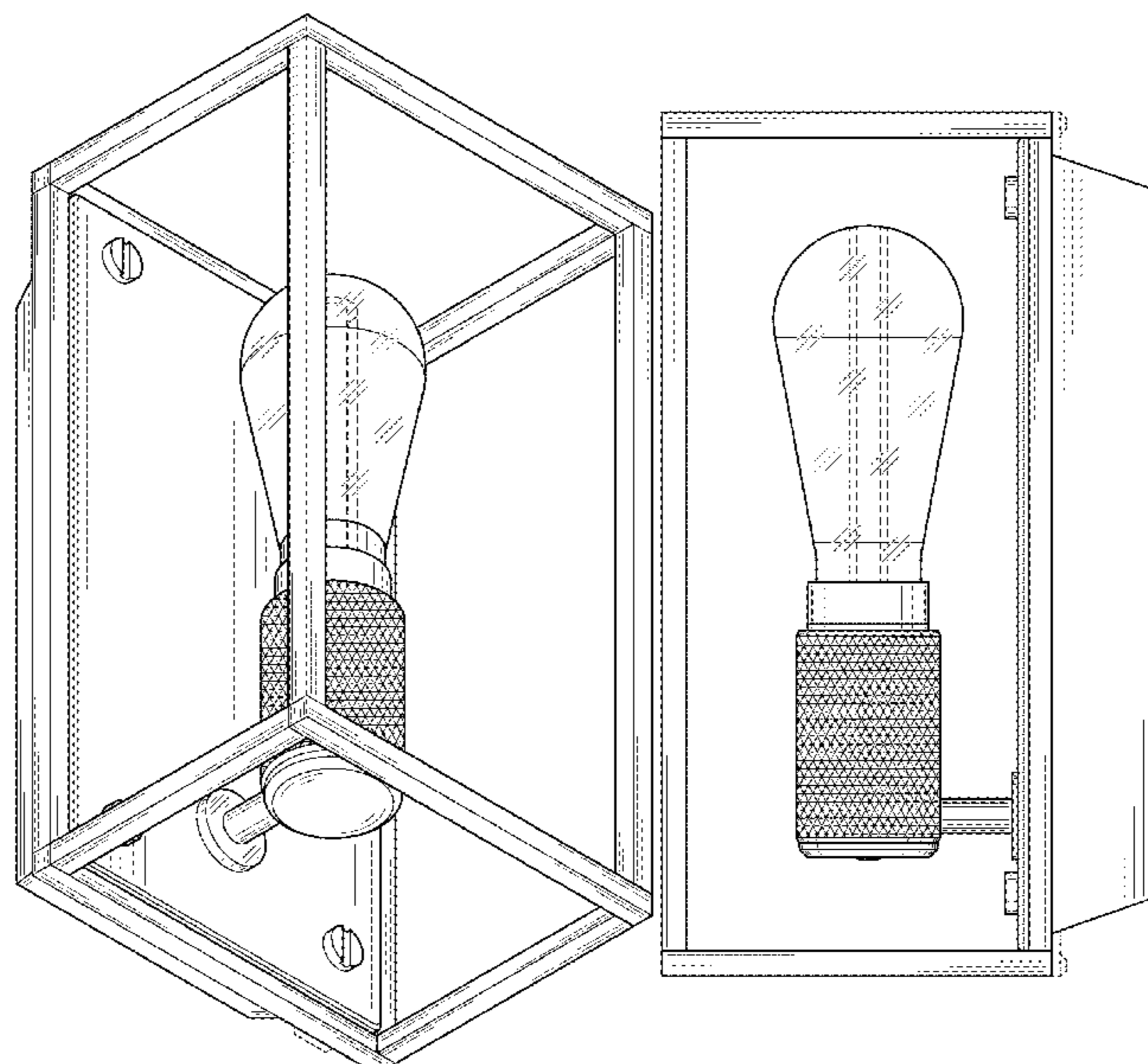
(57) **CLAIM**

The ornamental design for a light fixture, as shown and described.

**DESCRIPTION**

FIG. 1 is an isometric view of a light fixture showing the design according to the present disclosure.  
FIG. 2 is a front view of the design of FIG. 1, with the back view not forming part of the claimed design.  
FIG. 3 is a side view of the design of FIG. 1, with the opposing side view being the mirror image thereof.  
FIG. 4 is a top view of the design of FIG. 1; and,  
FIG. 5 is a bottom view of the design of FIG. 1.  
The broken lines shown in the drawings depict portions of the light fixture that form no part of the claimed design.

**1 Claim, 4 Drawing Sheets**



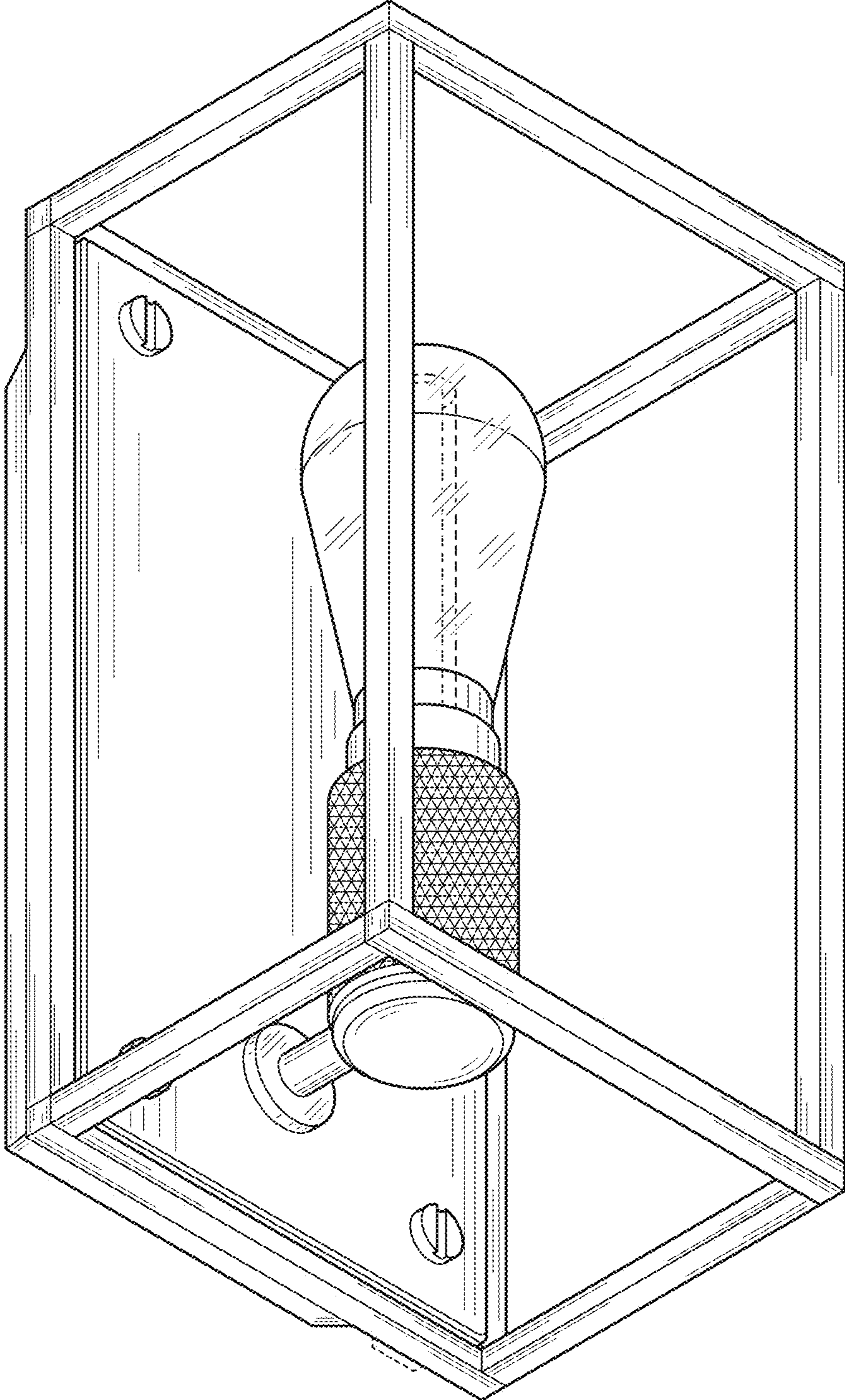


FIG. 1

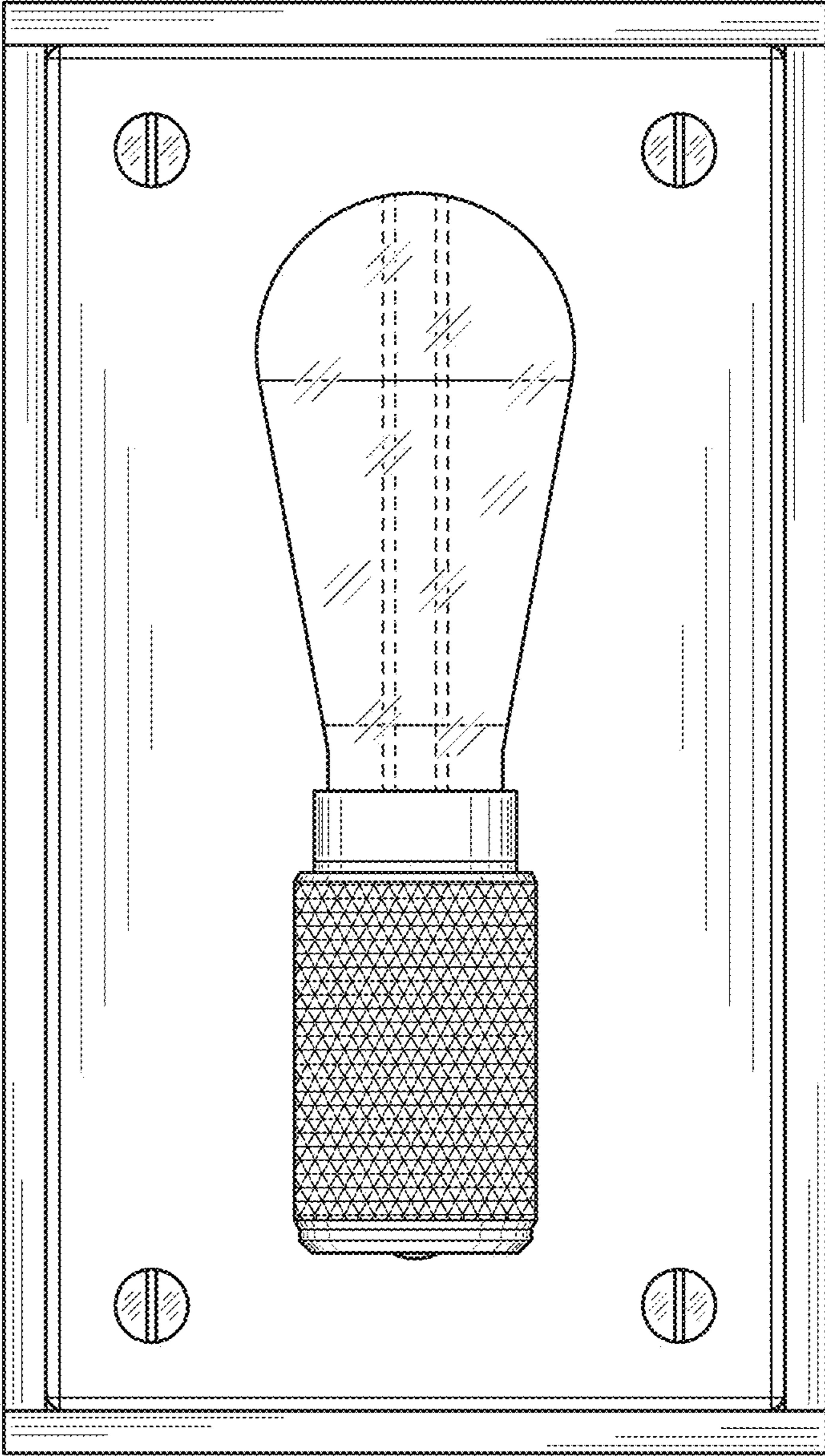


FIG. 2

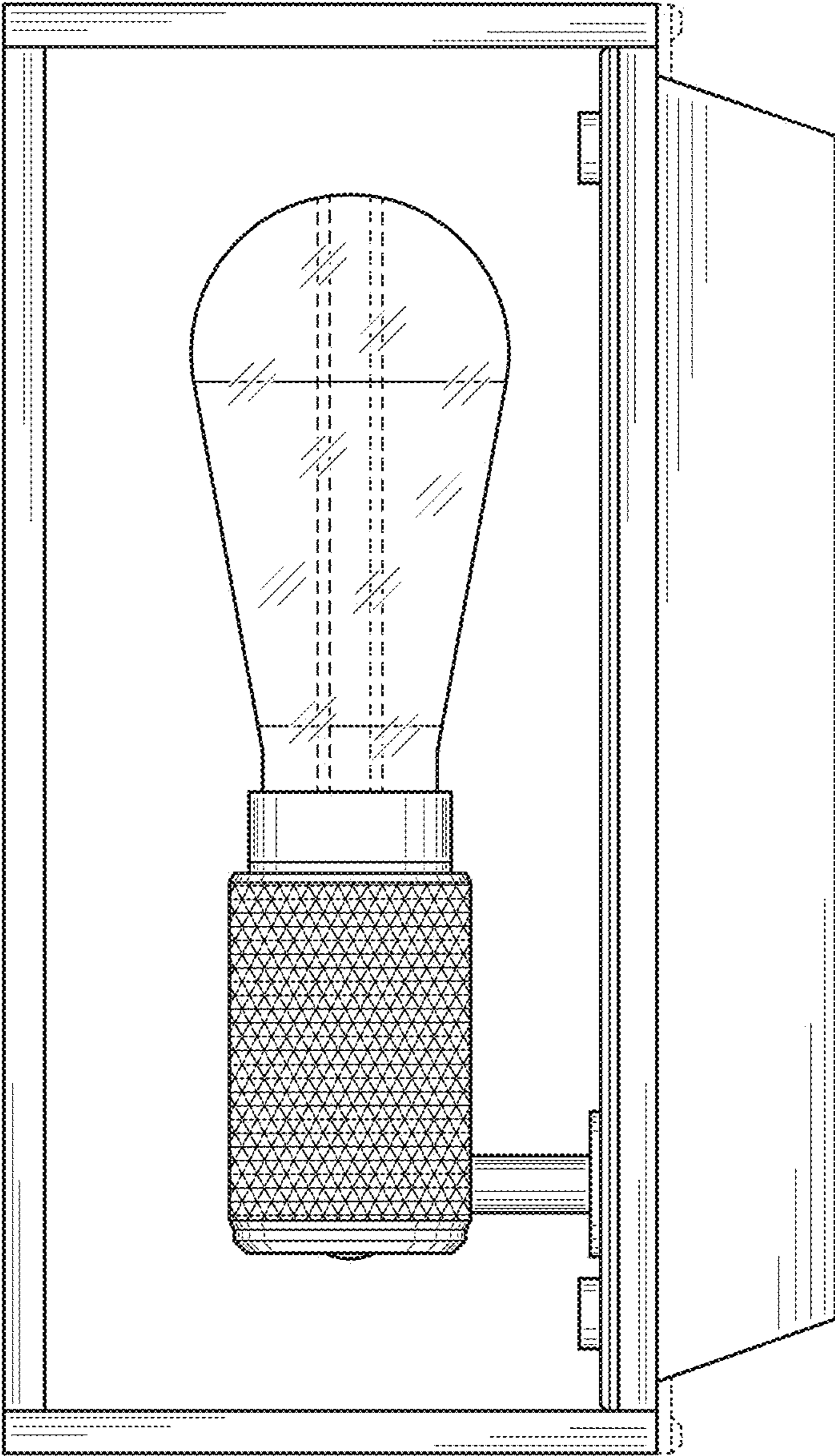


FIG. 3

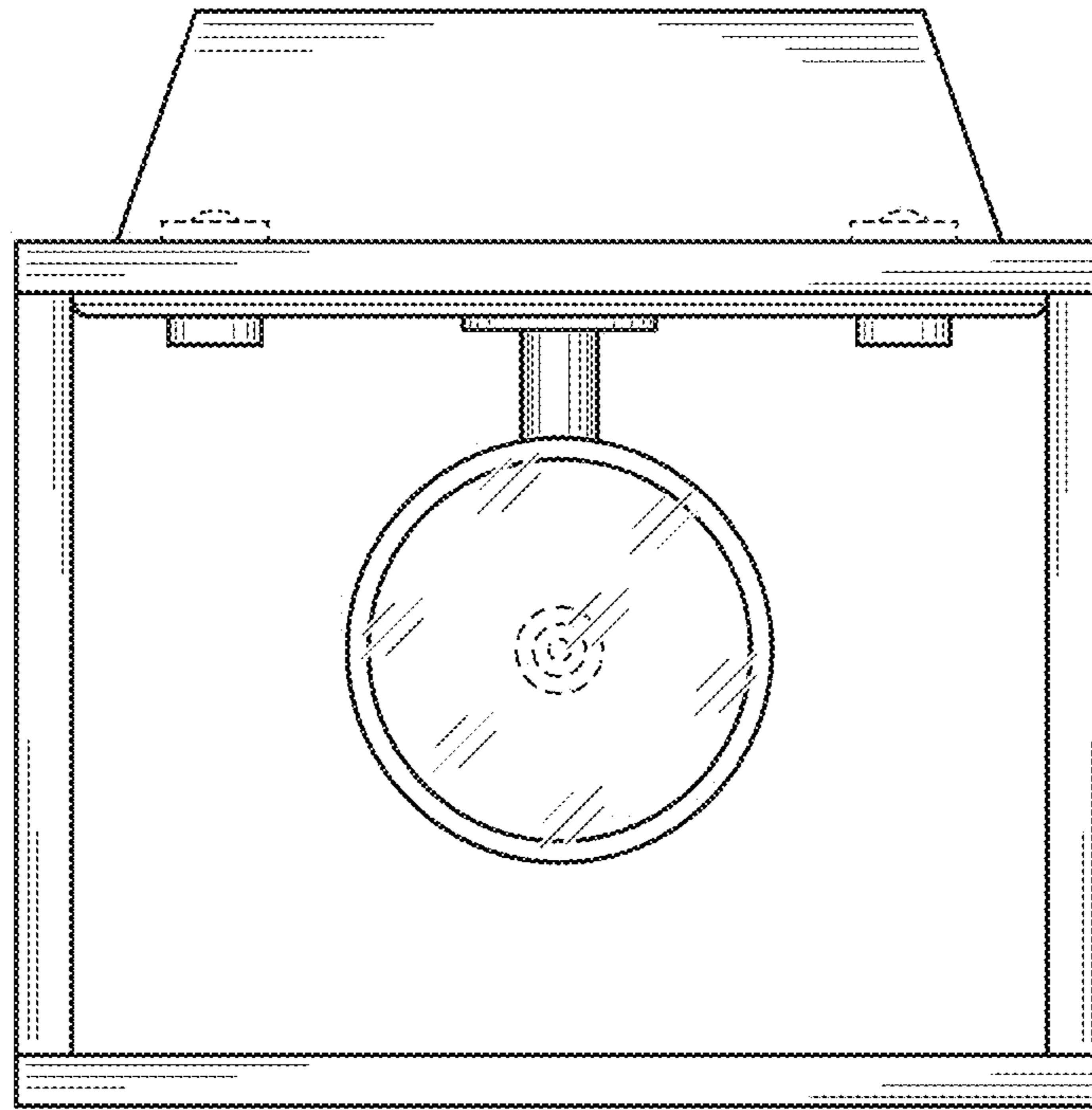


FIG. 4

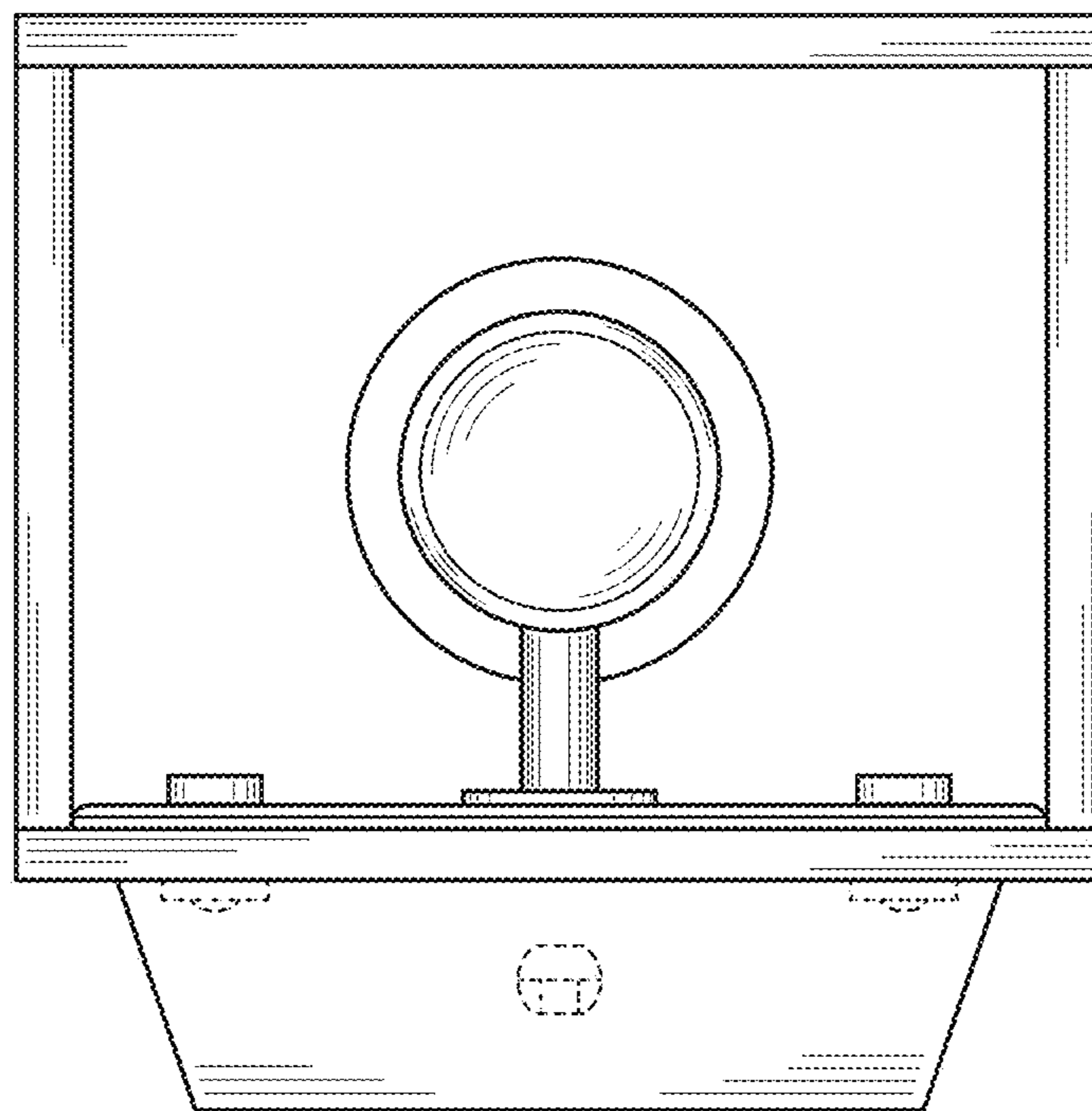


FIG. 5