



US00D887066S

(12) **United States Design Patent**
Ladnier et al.

(10) **Patent No.:** **US D887,066 S**
(45) **Date of Patent:** **** Jun. 9, 2020**

(54) **LIGHTING FIXTURE**

(71) Applicant: **DELTA T, LLC**, Lexington, KY (US)

(72) Inventors: **David Ladnier**, Versailles, KY (US);
Steven Green, Danville, KY (US)

(73) Assignee: **DELTA T, LLC**, Lexington, KY (US)

(**) Term: **15 Years**

(21) Appl. No.: **29/657,141**

(22) Filed: **Jul. 19, 2018**

(51) **LOC (12) Cl.** **26-04**

(52) **U.S. Cl.**
USPC **D26/76**

(58) **Field of Classification Search**
USPC D12/72, 74, 76, 78-83, 85, 86, 88, 90,
D12/93, 111, 113, 118, 119, 120, 121,
D12/122, 138, 139, 140, 141, 142, 152;
D26/72, 74, 76, 78-83, 85, 86, 88, 90,
D26/93, 111, 113, 118, 119, 120, 121,
D26/122, 138, 139, 140, 141, 142, 152
CPC F21S 2/00; F21S 4/00; F21S 4/003; F21S
4/005; F21S 4/006; F21S 4/007; F21S
4/008; F21S 6/00; F21S 8/00; F21S
8/024; F21S 8/026; F21S 8/031; F21S
8/033; F21S 8/035-037; F21S 8/04; F21S
8/043; F21S 8/063
See application file for complete search history.

(56) **References Cited**

U.S. PATENT DOCUMENTS

D238,296 S * 12/1975 Trimarchi D26/78
D421,815 S * 3/2000 Herst D26/76
D468,473 S * 1/2003 Shemitz D26/76
D496,123 S 9/2004 Blackman
D496,486 S 9/2004 Kan
D496,745 S 9/2004 Herst et al.
D498,867 S 11/2004 Keller

D503,821 S 4/2005 Waldmann
D520,667 S 5/2006 Jae-Sung et al.
D521,173 S 5/2006 Noh
D523,165 S 6/2006 Schultz
D526,737 S 8/2006 Noh
D543,305 S 5/2007 Wang
D547,897 S 7/2007 Willmorth et al.
D550,885 S 9/2007 Crosby
D553,287 S * 10/2007 Miller D26/75
D554,793 S 11/2007 Bobel
D570,026 S 5/2008 Waldmann
D592,349 S 5/2009 Maxik et al.
D593,698 S 6/2009 Noh
D604,447 S 11/2009 Klaus
D605,329 S 12/2009 Watt et al.
D605,809 S 12/2009 Noh
D606,698 S 12/2009 Verfuert et al.
D607,594 S 1/2010 Waldmann
D607,598 S 1/2010 Xiao et al.
(Continued)

Primary Examiner — Natasha Vujcic
(74) *Attorney, Agent, or Firm* — King & Schickli, PLLC

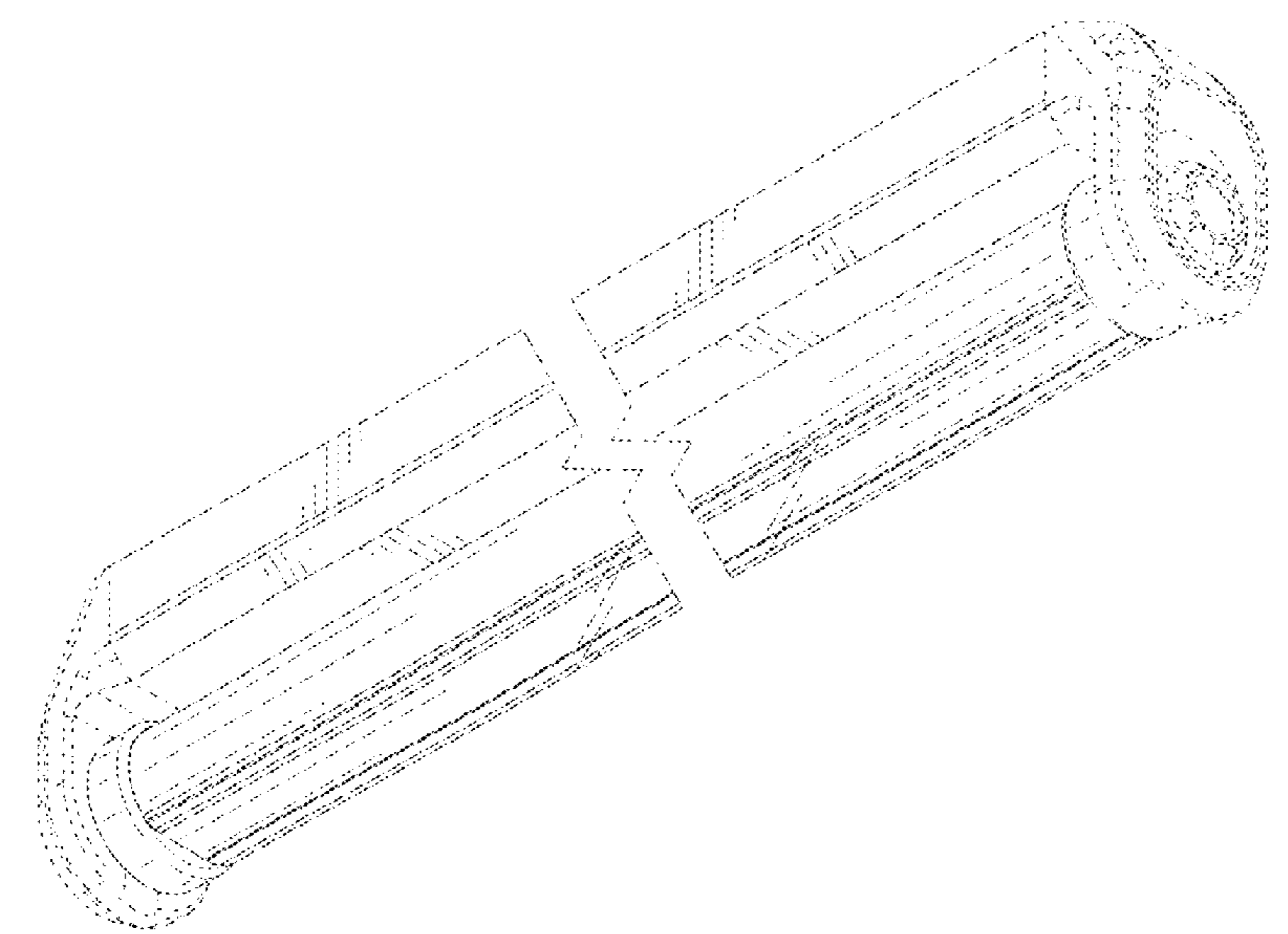
(57) **CLAIM**

The ornamental design for a lighting fixture, as shown and described.

DESCRIPTION

FIG. 1 is a bottom perspective view of a lighting fixture;
FIG. 2 is a top perspective view thereof;
FIG. 3 is a front view thereof;
FIG. 4 is a left side view thereof;
FIG. 5 is a rear view thereof;
FIG. 6 is a right side view thereof;
FIG. 7 is a top view thereof;
FIG. 8 is a bottom view thereof; and,
FIG. 9 is a cross-sectional view taken along line 9-9 of FIG. 7.
The broken line depictions form no part of the claimed designs.

1 Claim, 5 Drawing Sheets



(56)

References Cited

U.S. PATENT DOCUMENTS

D607,599 S *	1/2010	Zhou	D26/76	D730,558 S	5/2015	Dungan et al.	
D608,043 S	1/2010	Ko			D733,347 S	6/2015	Dungan et al.	
D608,928 S	1/2010	Noh			D735,392 S	7/2015	Ng et al.	
D617,488 S	6/2010	Cho			D738,026 S	9/2015	Dungan et al.	
D627,914 S *	11/2010	Couture	D26/76	D746,505 S	12/2015	Sabernig	
D632,004 S	2/2011	Waldmann			D746,506 S	12/2015	Grasser	
D633,642 S *	3/2011	Wauters	D26/76	D750,308 S	2/2016	Rodgers et al.	
D635,290 S *	3/2011	Hsu	D26/79	D751,237 S	3/2016	Ferrier et al.	
D636,108 S	4/2011	Nguyen et al.			D754,902 S	4/2016	Parker et al.	
D637,338 S	5/2011	Kong et al.			D756,553 S	5/2016	Kim	
D642,725 S	8/2011	Kong et al.			D757,327 S	5/2016	Reynolds	
D643,960 S *	8/2011	Waldmann	D26/74	D760,417 S	6/2016	Benensohn	
D647,241 S	10/2011	Takahashi et al.			D773,108 S	11/2016	Anderson et al.	
D649,278 S	11/2011	Sabernig			D773,712 S	12/2016	Cavaliere et al.	
D649,279 S	11/2011	Sabernig			D775,393 S	12/2016	Adams et al.	
D650,940 S	12/2011	Katz et al.			D776,854 S	1/2017	Baumeister et al.	
D653,793 S	2/2012	Marquardt et al.			D780,975 S	3/2017	Lockart et al.	
D655,442 S	3/2012	Sabernig			D781,474 S	3/2017	Graham et al.	
D659,880 S *	5/2012	Maxik	D26/80	D782,090 S	3/2017	Graham et al.	
D663,065 S	7/2012	Beghelli			D782,095 S	3/2017	Fletcher	
D670,019 S	10/2012	Sabernig			D782,099 S	3/2017	Orozco	
D671,254 S	11/2012	Miyatake et al.			D785,229 S	4/2017	Noh et al.	
D671,258 S	11/2012	Ferrier et al.			D786,476 S	5/2017	McCane	
D679,445 S *	4/2013	Kong	D26/122	D786,483 S	5/2017	Sonneman	
D683,892 S	6/2013	Chu			D787,112 S	5/2017	Samson	
D690,050 S	9/2013	Ng et al.			D790,103 S	6/2017	Czech et al.	
D690,870 S	10/2013	Ng et al.			D790,947 S	7/2017	Key et al.	
D695,443 S	12/2013	Kaule et al.			D792,000 S	7/2017	Burroughs	
D695,943 S	12/2013	Duquette et al.			D793,603 S	8/2017	Parker et al.	
D700,732 S	3/2014	Clark et al.			D794,867 S	8/2017	Yulin	
D701,343 S	3/2014	Ng			D796,107 S *	8/2017	Boorom D26/87
D702,390 S	4/2014	Clark et al.			D797,276 S	9/2017	Matsumura	
D702,391 S	4/2014	Clark et al.			D797,349 S	9/2017	Rashidi Doust	
D704,878 S	5/2014	Wilson et al.			D806,929 S *	1/2018	Clark D26/88
D707,874 S	6/2014	Sieberth et al.			D808,060 S	1/2018	Wouters et al.	
D709,636 S	7/2014	Murata et al.			D814,095 S	3/2018	Brandrup	
D712,081 S	8/2014	Murata et al.			D817,535 S	5/2018	Feng et al.	
D725,307 S	3/2015	Guercio et al.			D818,626 S	5/2018	Park et al.	
D727,550 S	4/2015	Clark et al.			D819,250 S	5/2018	Ji	
D727,551 S	4/2015	Clark et al.			D819,863 S	6/2018	Deng	
D727,554 S	4/2015	Clark et al.			D850,700 S *	6/2019	Samson D26/76
D728,140 S	4/2015	Lay et al.			D851,805 S *	6/2019	Chen D26/76
					D861,950 S *	10/2019	Hsu D26/76
					2018/0100641 A1	4/2018	Verfuerth et al.	

* cited by examiner

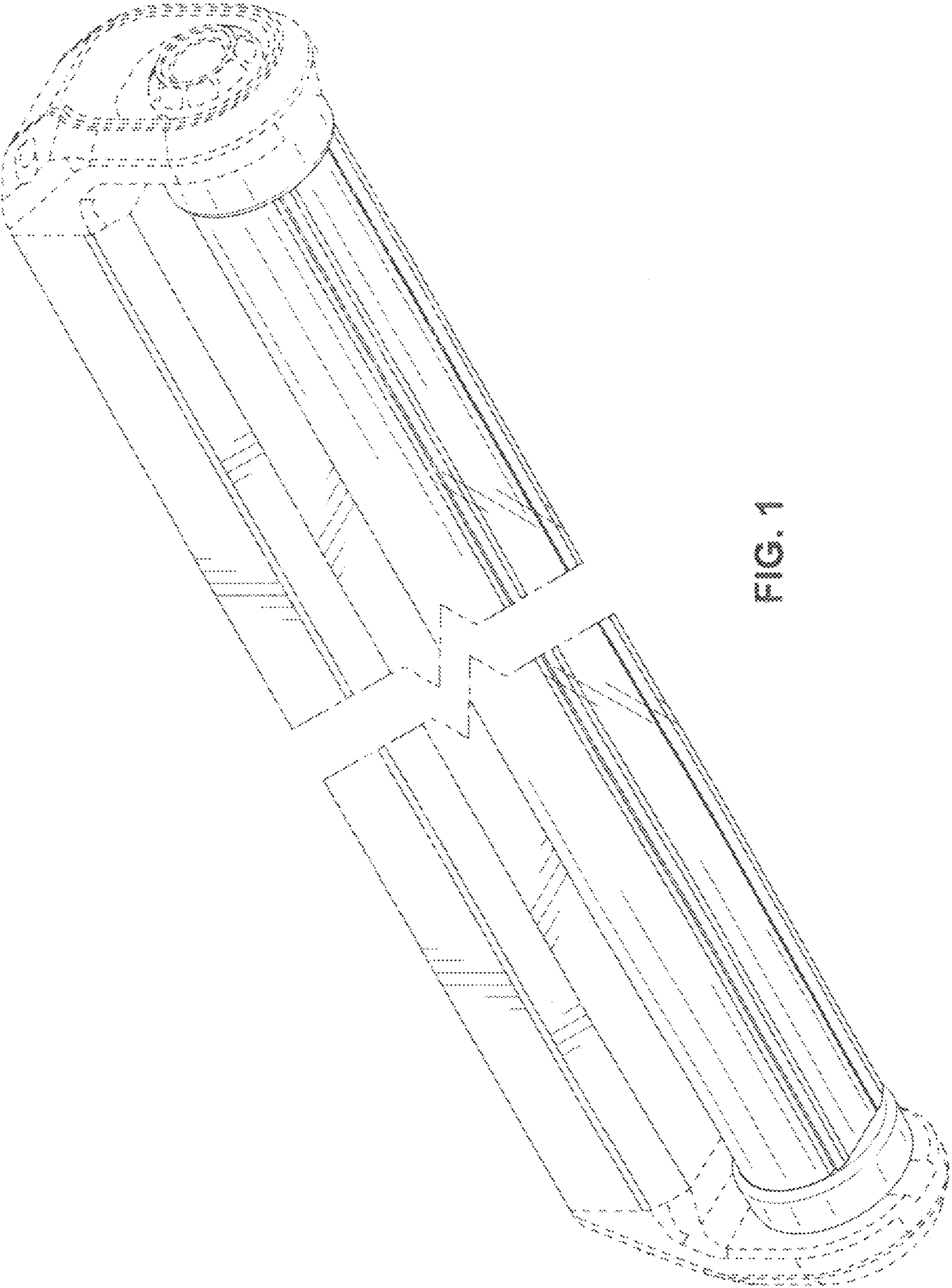


FIG. 1

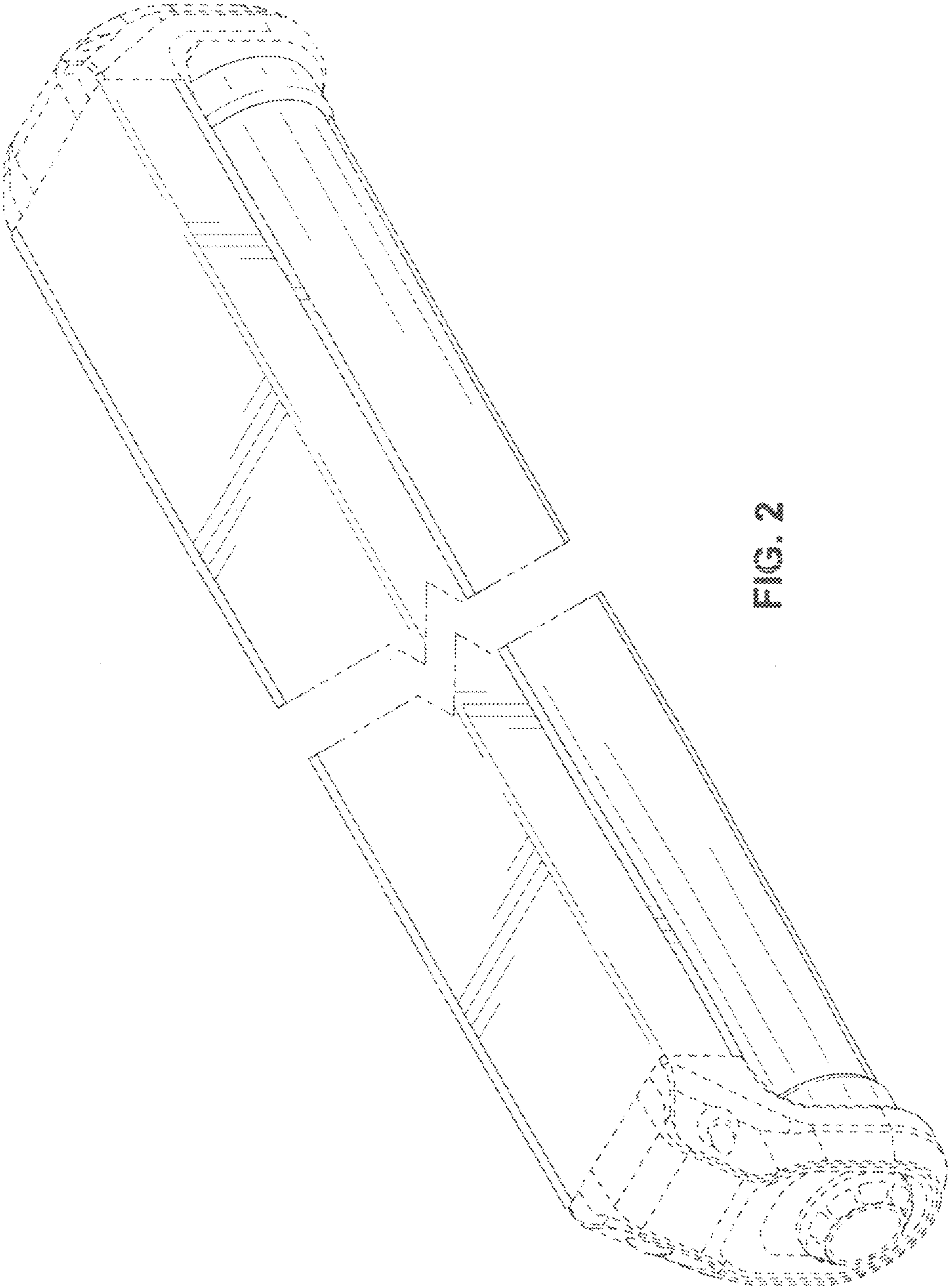


FIG. 2

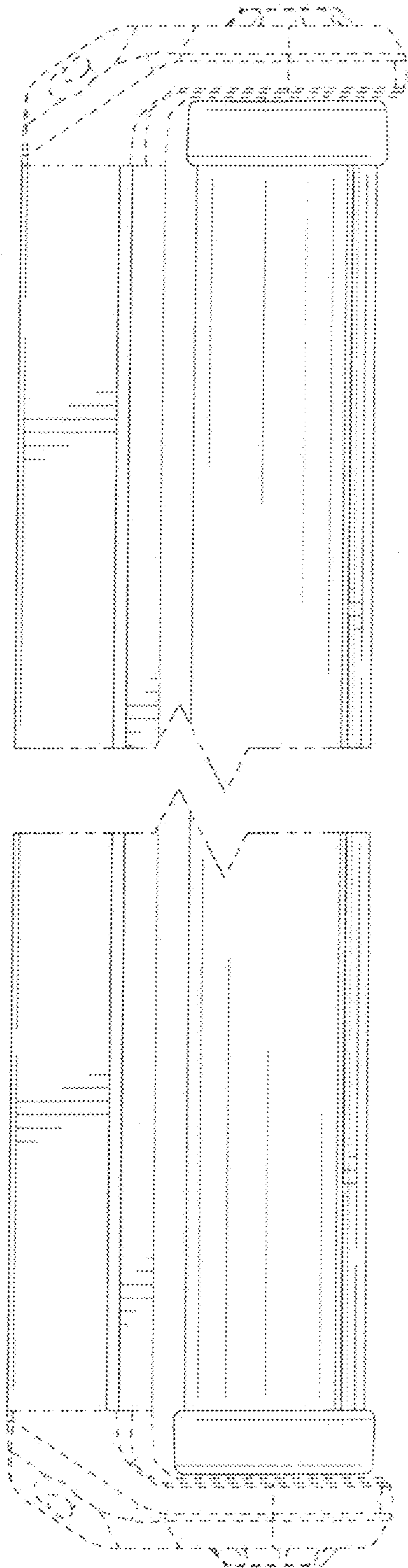


FIG. 3

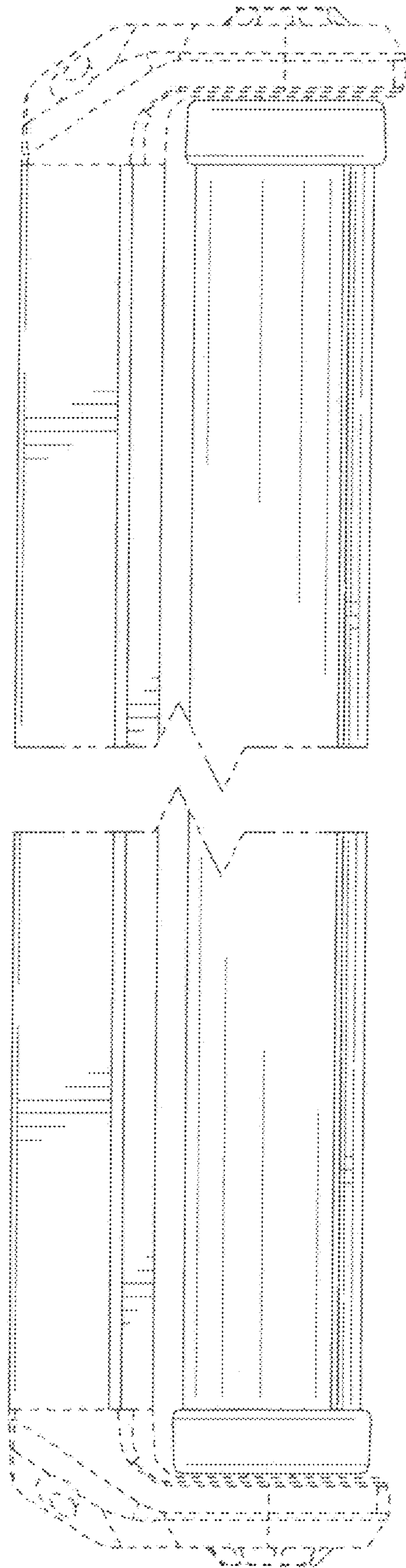


FIG. 5

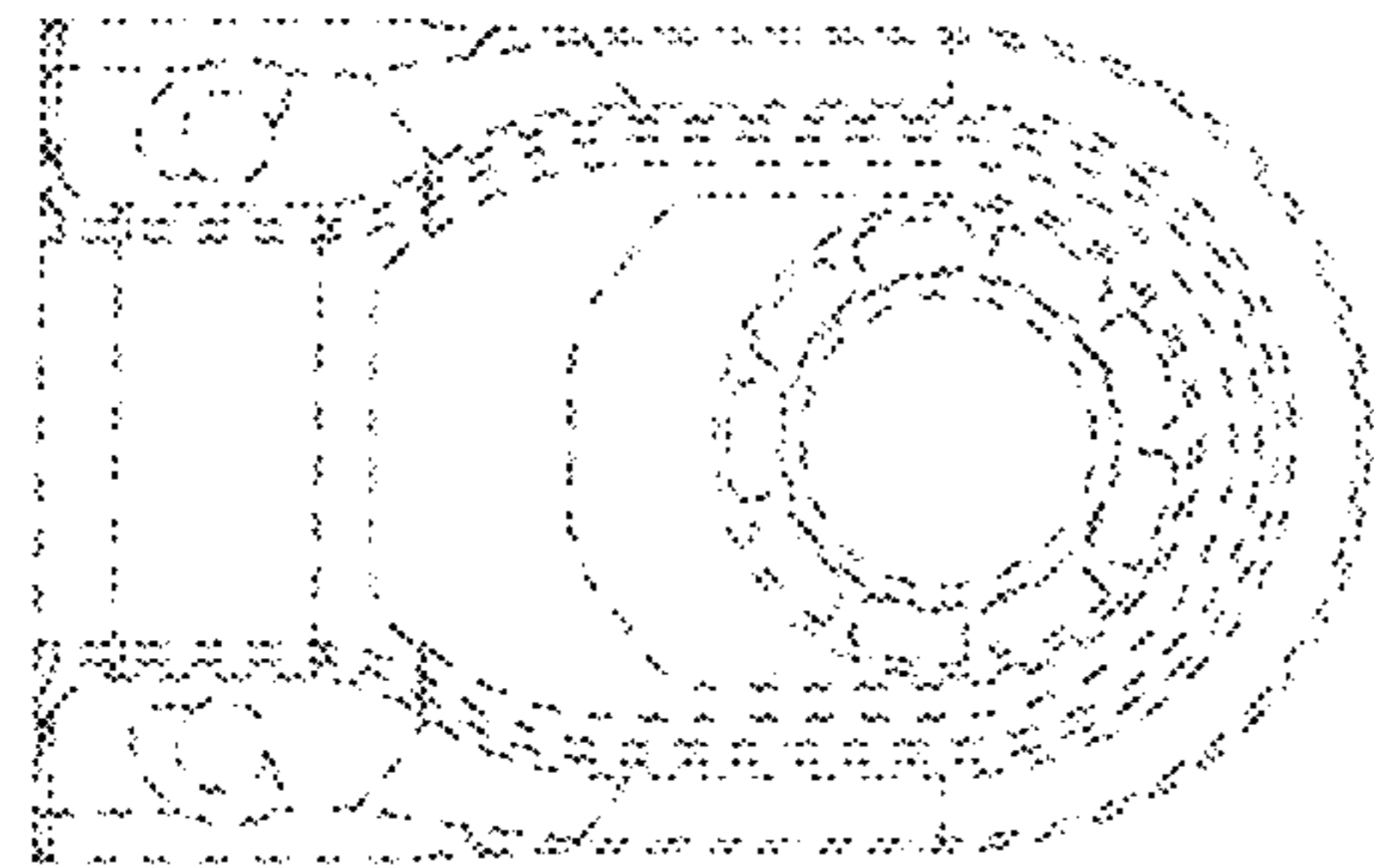


FIG. 4

FIG. 6

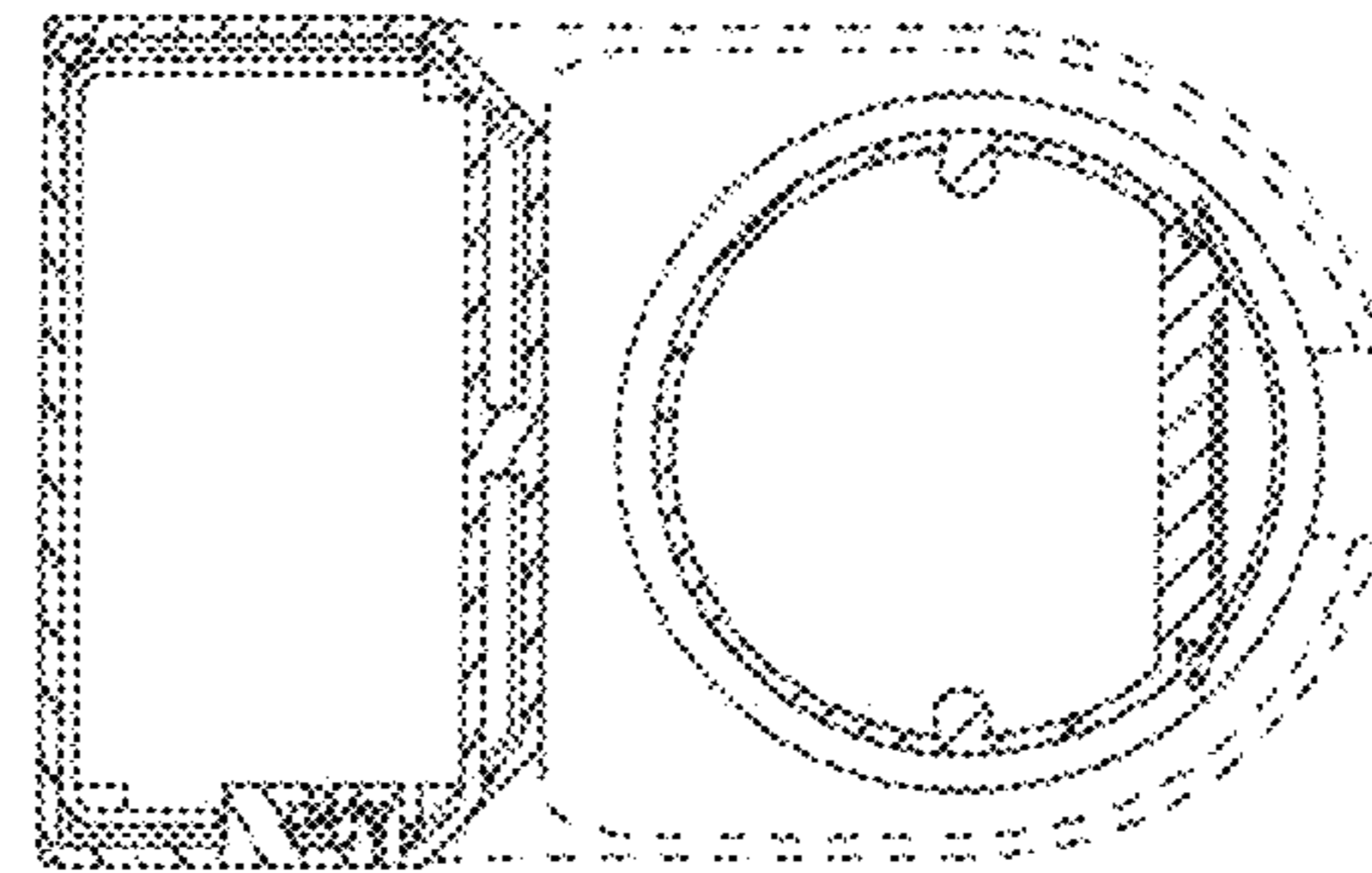


FIG. 9

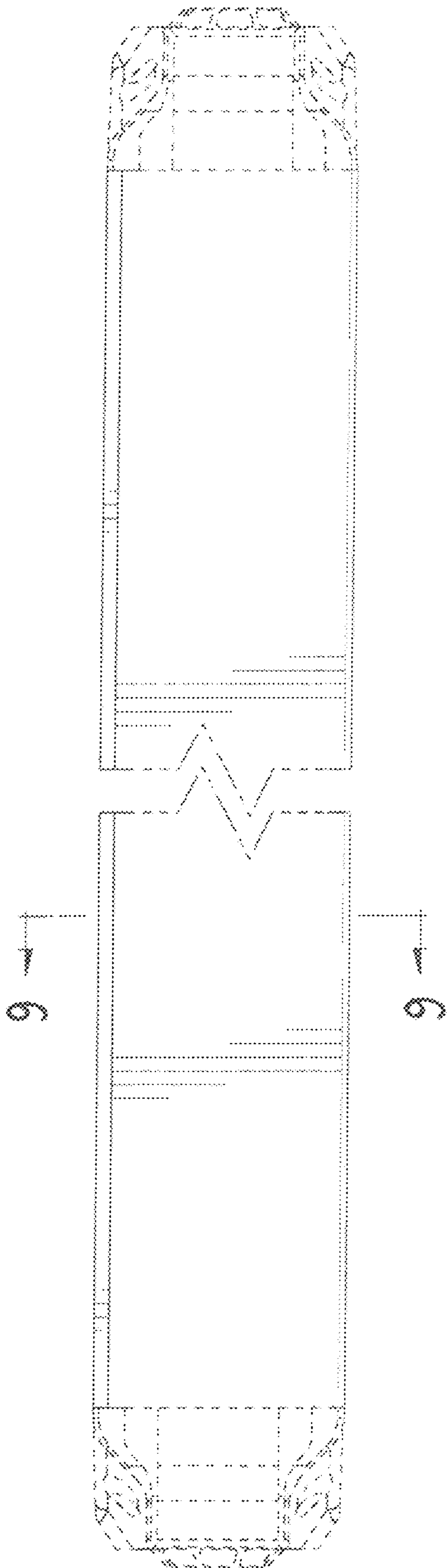


FIG. 7

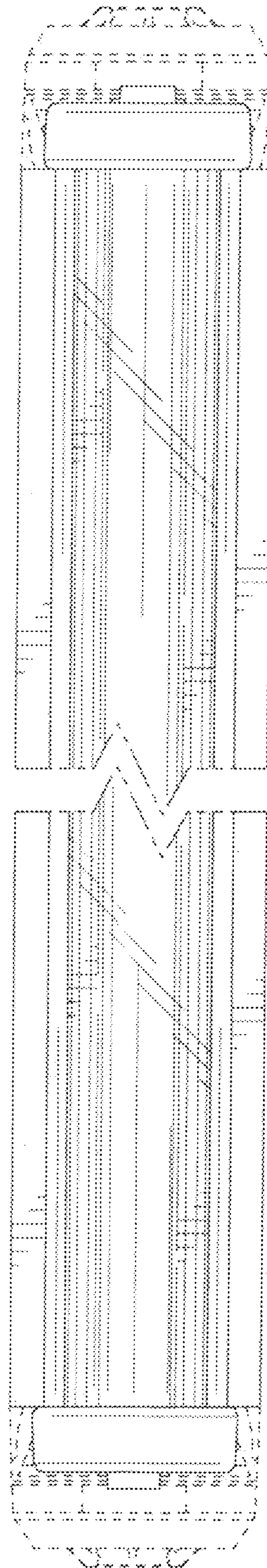


FIG. 8