



US00D887064S

(12) **United States Design Patent**
Speier

(10) **Patent No.:** **US D887,064 S**
(45) **Date of Patent:** **** Jun. 9, 2020**

- (54) **LUMINAIRE**
- (71) Applicant: **Quarkstar LLC**, Las Vegas, NV (US)
- (72) Inventor: **Ingo Speier**, Saanichton (CA)
- (73) Assignee: **Quarkstar LLC**, Las Vegas, NV (US)
- (**) Term: **15 Years**
- (21) Appl. No.: **29/655,801**
- (22) Filed: **Jul. 6, 2018**
- (51) **LOC (12) Cl.** **26-05**
- (52) **U.S. Cl.**
USPC **D26/74**
- (58) **Field of Classification Search**
USPC D26/74, 72, 75, 76, 77, 78, 85, 88, 89,
D26/118, 138, 141; 362/364, 365, 373,
362/145, 146, 147, 148, 150, 153, 153.1,
362/294, 296.01, 296.07, 296.08
CPC F21V 29/2262; F21V 7/06; F21V 21/044;
F21V 21/047; F21V 29/2212; F21V
29/2225; F21V 29/2256; F21V 29/225;
F21V 29/2268; F21Y 2111/002; F21S
8/02; F21S 8/026
See application file for complete search history.

- D639,993 S * 6/2011 Mier-Langner F21S 8/02
D26/74
- D655,849 S * 3/2012 Sabernig D26/85
- D655,850 S * 3/2012 Sabernig D26/85
- D667,985 S * 9/2012 Gielen D26/89
- D724,775 S * 3/2015 van Dijk D26/74
- D786,473 S * 5/2017 Dean D26/74
- D827,902 S * 9/2018 McGrayne D26/74
- D855,861 S * 8/2019 Perrone D26/74

* cited by examiner

Primary Examiner — Angela J Lee

(74) *Attorney, Agent, or Firm* — Fish & Richardson P.C.

(57) **CLAIM**

The ornamental design for a luminaire, as shown and described.

DESCRIPTION

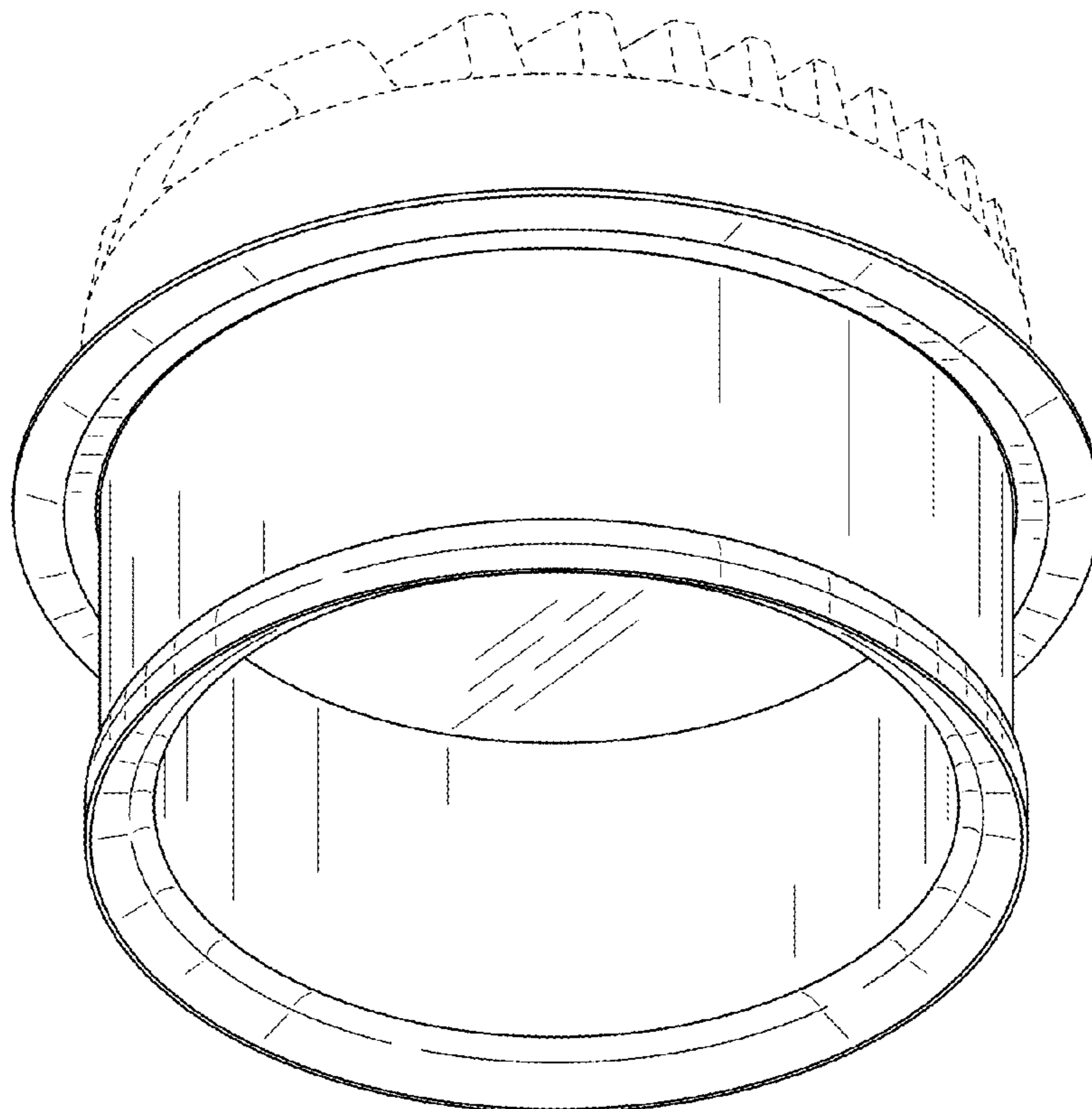
FIG. 1 is a front perspective view of my luminaire.
 FIG. 2 is a left side view of the luminaire.
 FIG. 3 is a right side view of the luminaire.
 FIG. 4 is a top view of the luminaire.
 FIG. 5 is a bottom side view of the luminaire.
 FIG. 6 is a back view of the luminaire.
 FIG. 7 is a front view of the luminaire; and,
 FIG. 8 is a front perspective view of the luminaire, taken from an opposite perspective as the view of FIG. 1.
 The broken lines illustrate environmental features that form no part of the claimed design.

(56) **References Cited**

U.S. PATENT DOCUMENTS

- D407,524 S * 3/1999 Lecluze D26/118
- D617,031 S * 6/2010 Redfern D26/85

1 Claim, 5 Drawing Sheets



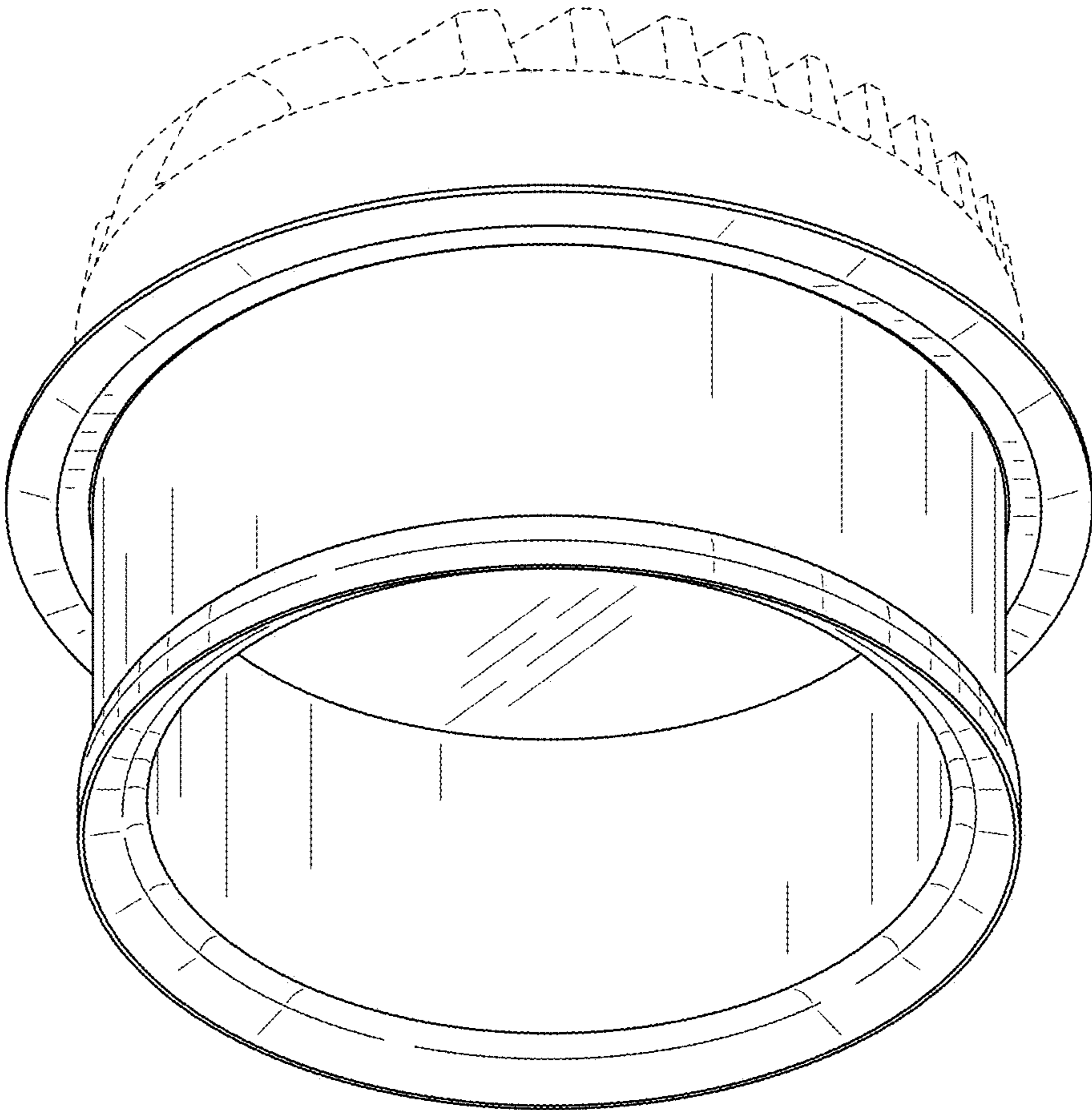


FIG. 1

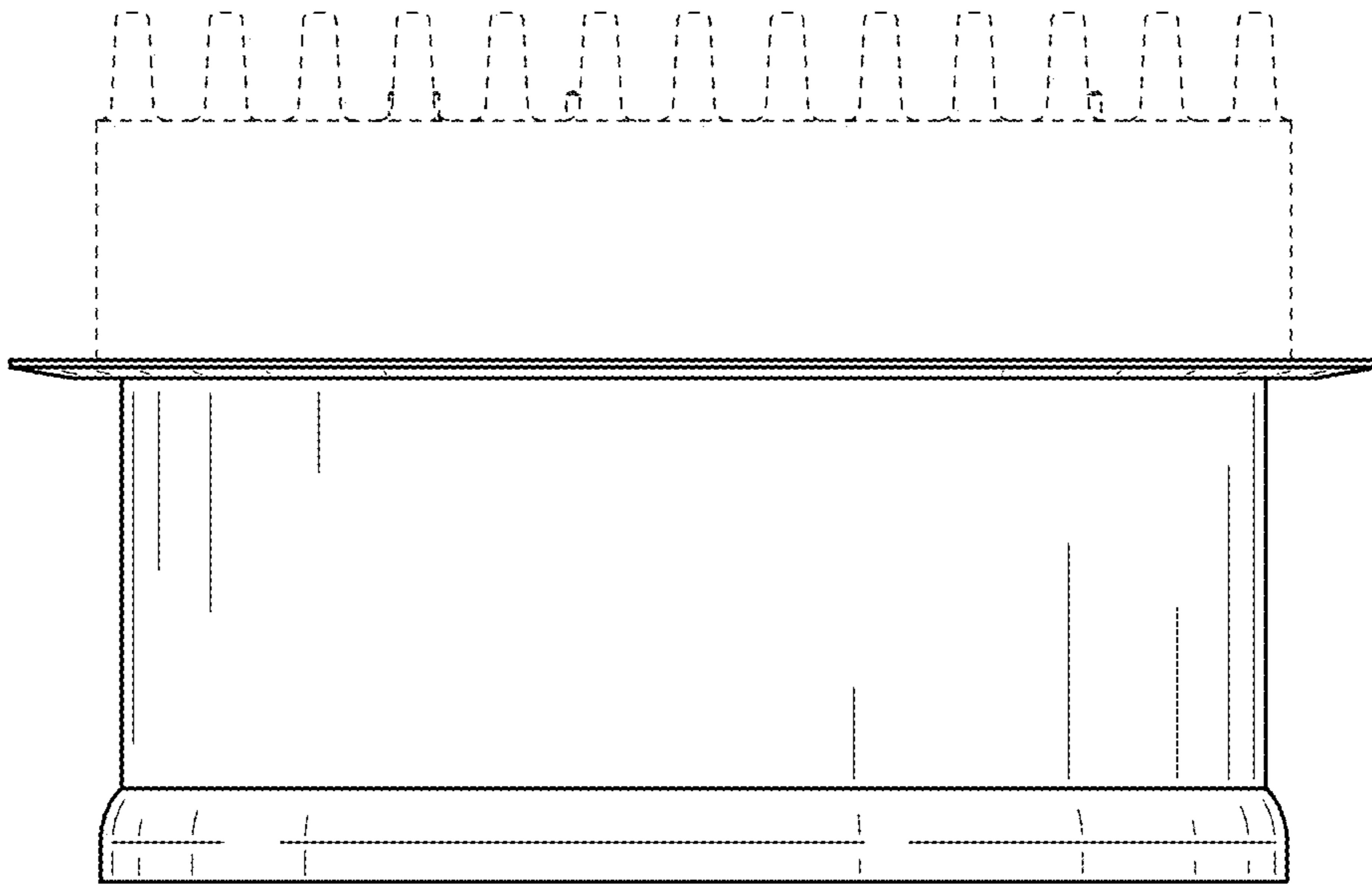


FIG. 2

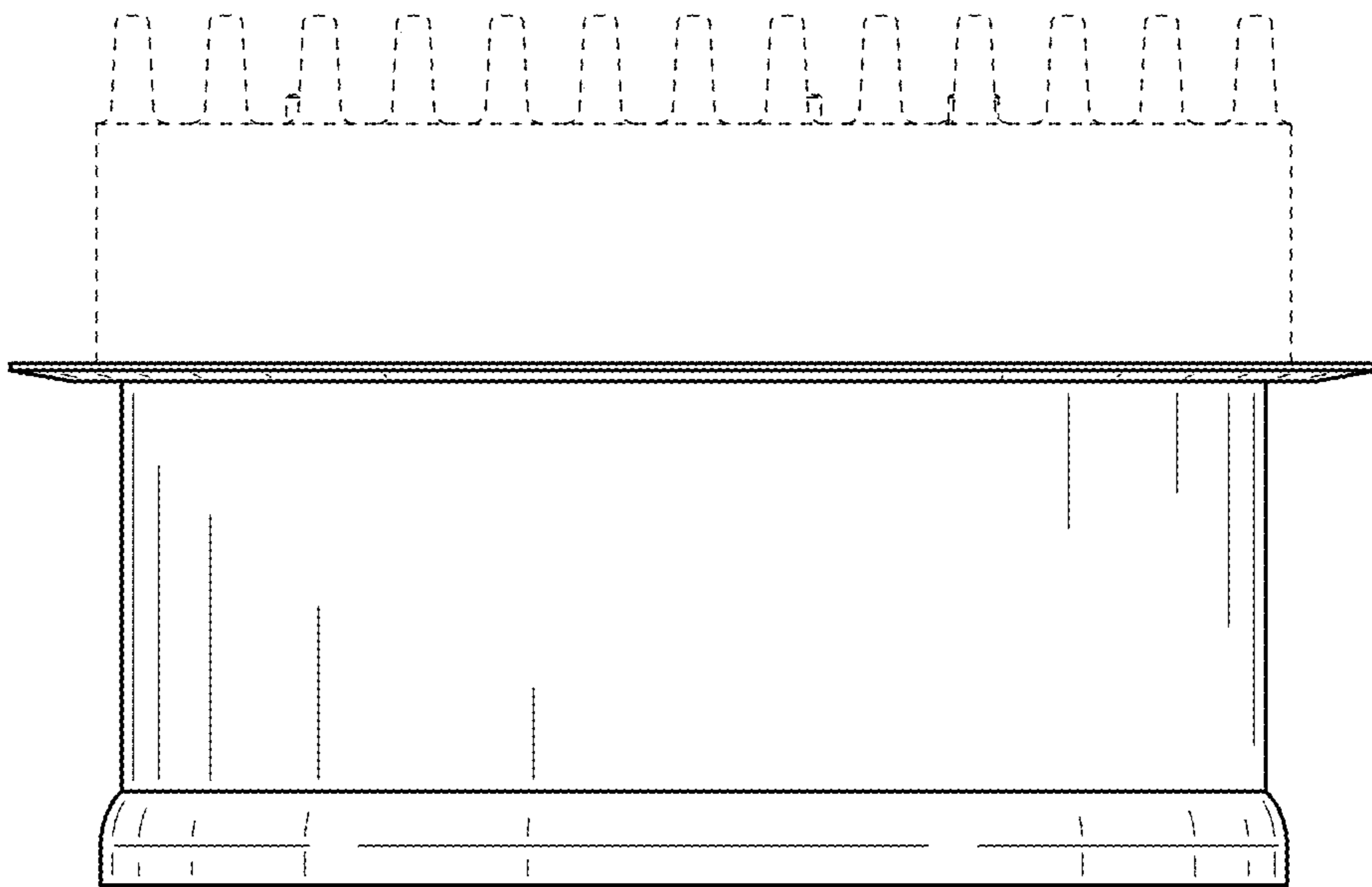


FIG. 3

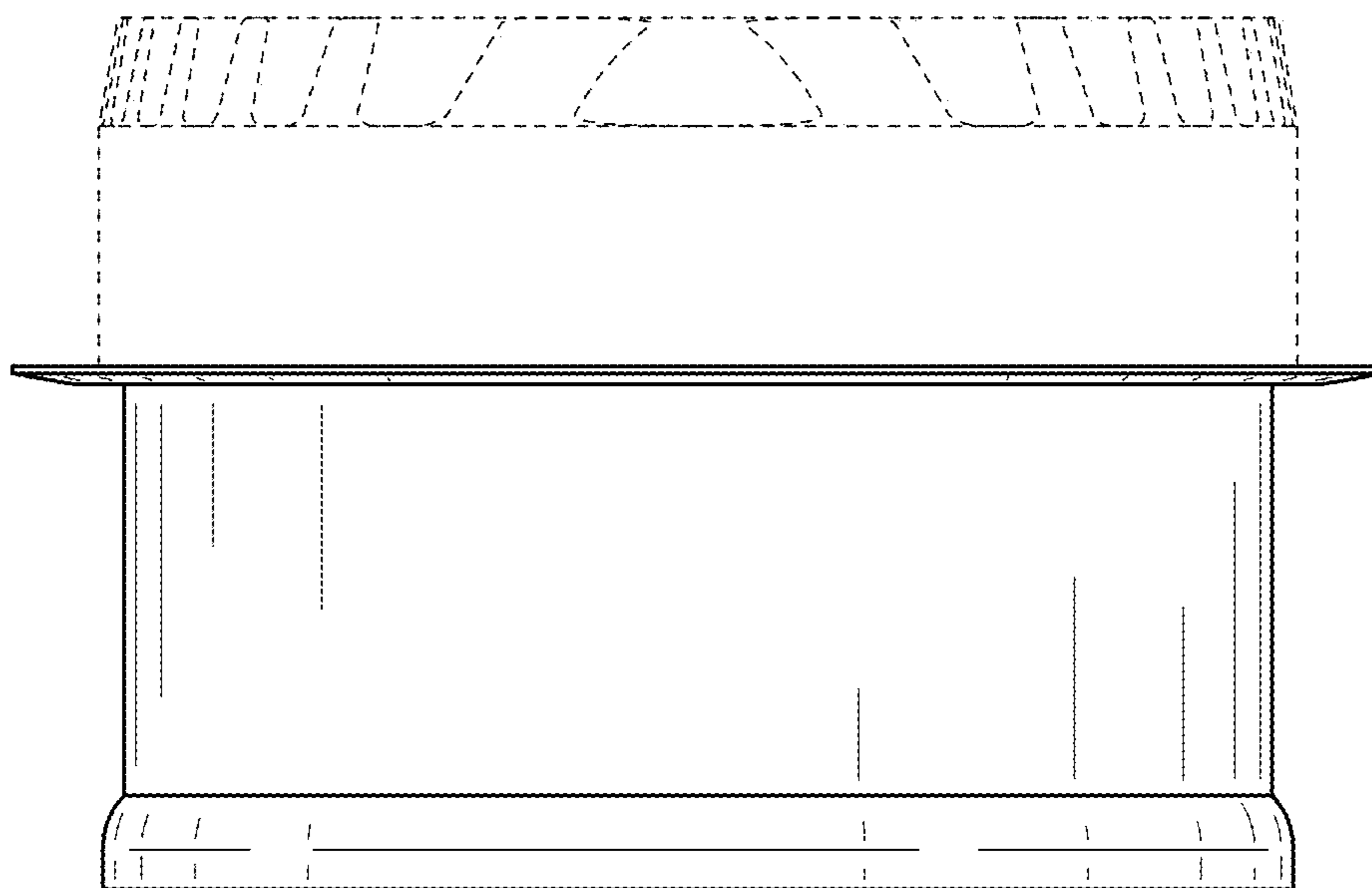


FIG. 4

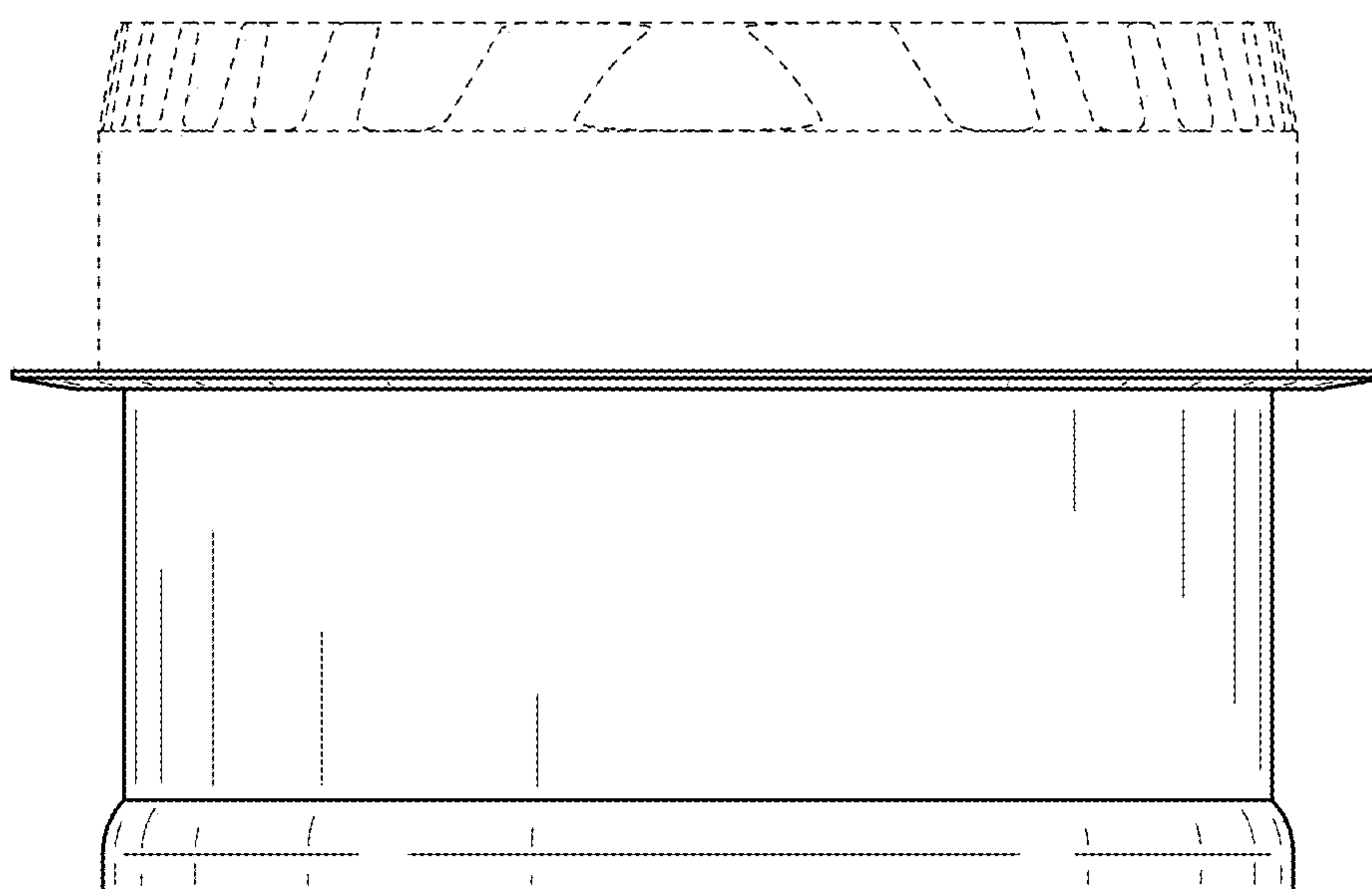


FIG. 5

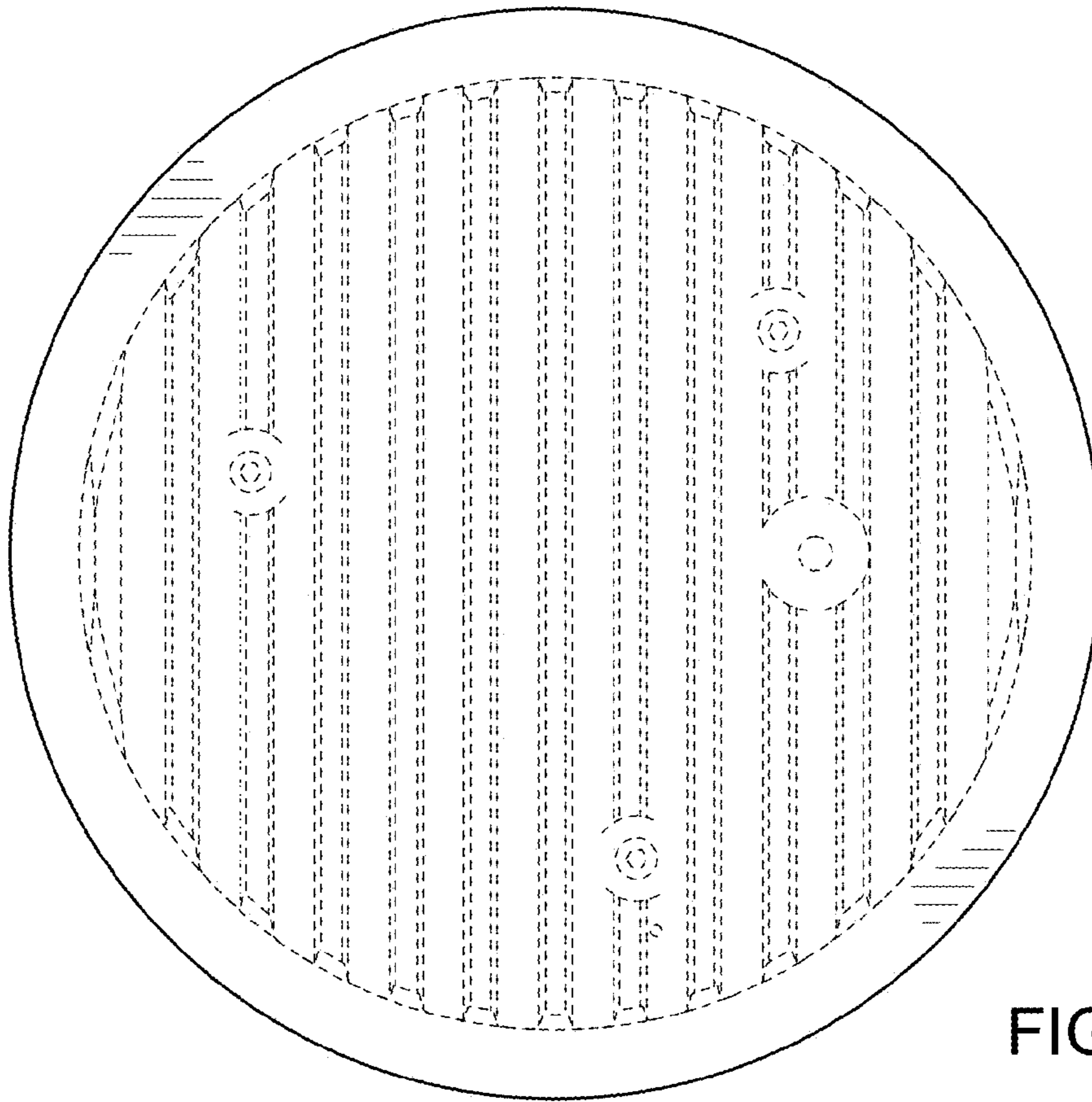


FIG. 6

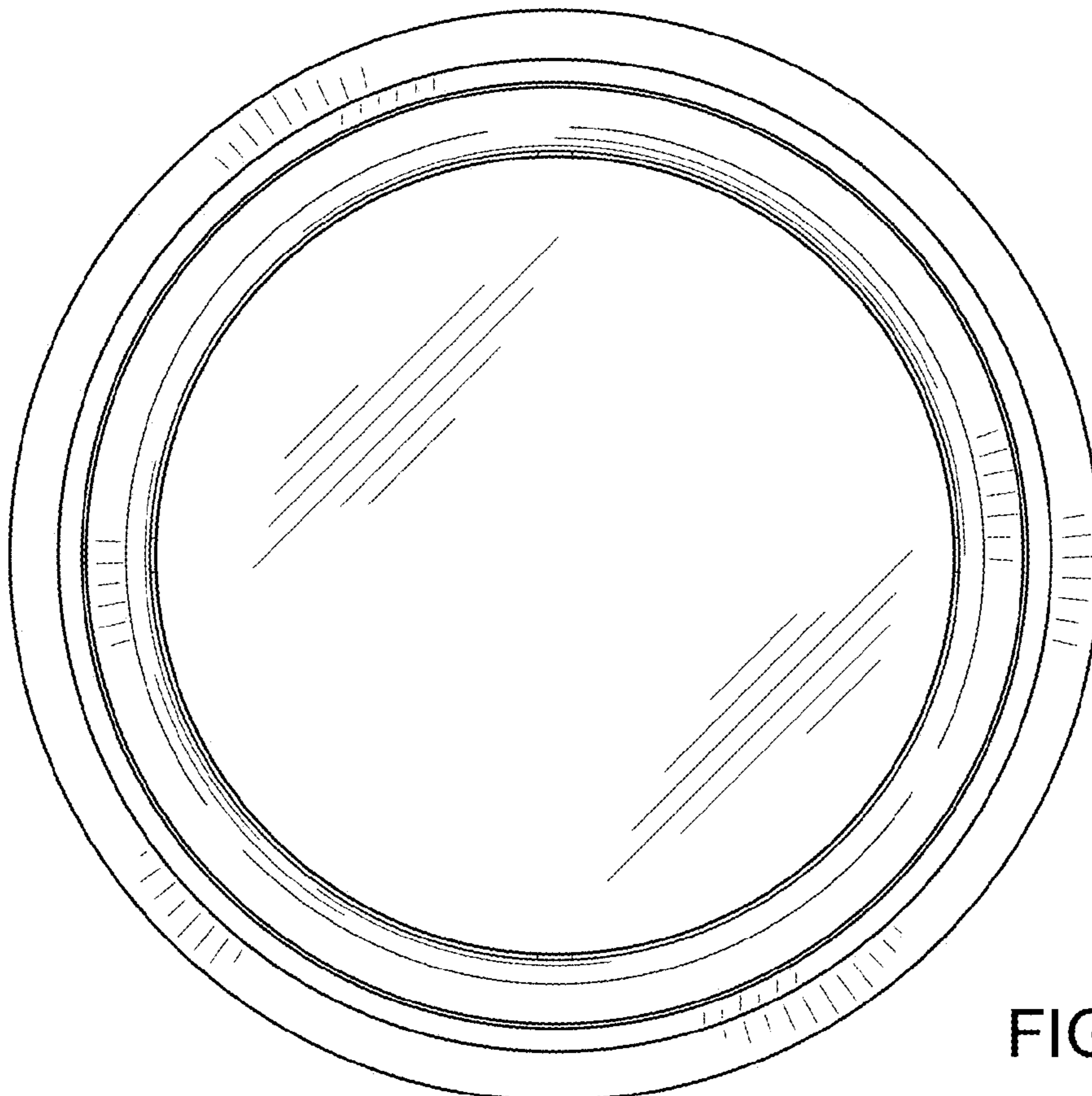


FIG. 7

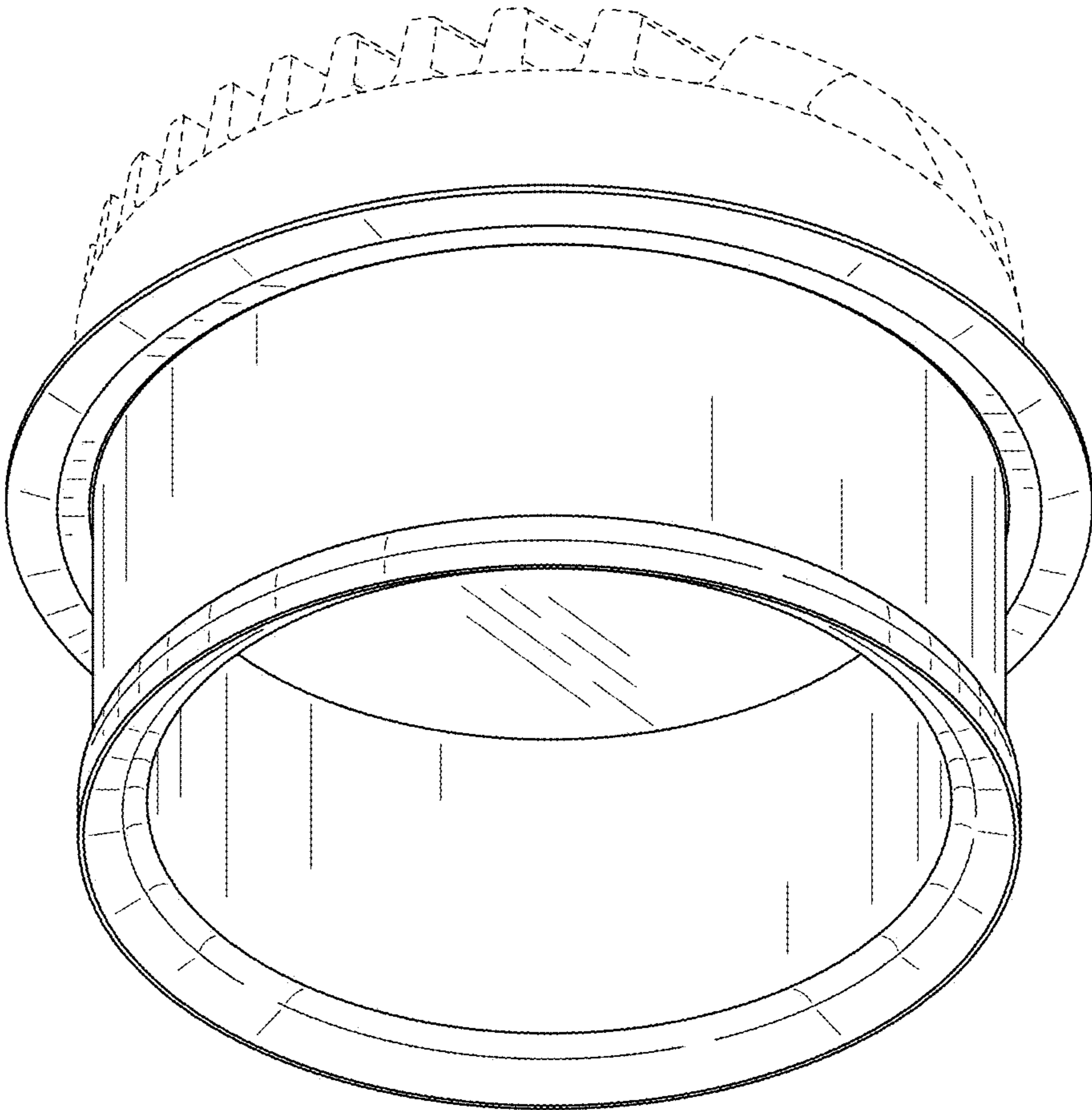


FIG. 8