



US00D887063S

(12) **United States Design Patent**
Speier

(10) **Patent No.:** **US D887,063 S**

(45) **Date of Patent:** **** Jun. 9, 2020**

(54) **LUMINAIRE**

(71) Applicant: **Quarkstar LLC**, Las Vegas, NV (US)

(72) Inventor: **Ingo Speier**, Saanichton (CA)

(73) Assignee: **Quarkstar LLC**, Las Vegas, NV (US)

(**) Term: **15 Years**

(21) Appl. No.: **29/655,798**

(22) Filed: **Jul. 6, 2018**

(51) **LOC (12) Cl.** **26-05**

(52) **U.S. Cl.**
USPC **D26/74**

(58) **Field of Classification Search**
USPC D26/74, 72, 75, 76, 77, 78, 85, 88, 89,
D26/118, 138, 141; 362/364, 365, 373,
362/145, 146, 147, 148, 150, 153, 153.1,
362/294, 296.01, 296.07, 296.08
CPC F21V 29/2262; F21V 7/06; F21V 21/044;
F21V 21/047; F21V 29/2212; F21V
29/2225; F21V 29/2256; F21V 29/225;
F21V 29/2268; F21Y 2111/002; F21S
8/02; F21S 8/026
See application file for complete search history.

(56) **References Cited**

U.S. PATENT DOCUMENTS

D581,081 S * 11/2008 Mier-Langner D26/72
D639,993 S * 6/2011 Mier-Langner F21S 8/02
D26/74

D712,082 S * 8/2014 Harpenau D26/74
D769,503 S * 10/2016 Van Lierde D26/74
D797,977 S * 9/2017 Farzan D26/74
D840,083 S * 2/2019 Crosby D26/74
D840,084 S * 2/2019 Crosby D26/74
D850,696 S * 6/2019 Zhu D26/74
D855,861 S * 8/2019 Perrone D26/74

* cited by examiner

Primary Examiner — Angela J Lee

(74) *Attorney, Agent, or Firm* — Fish & Richardson P.C.

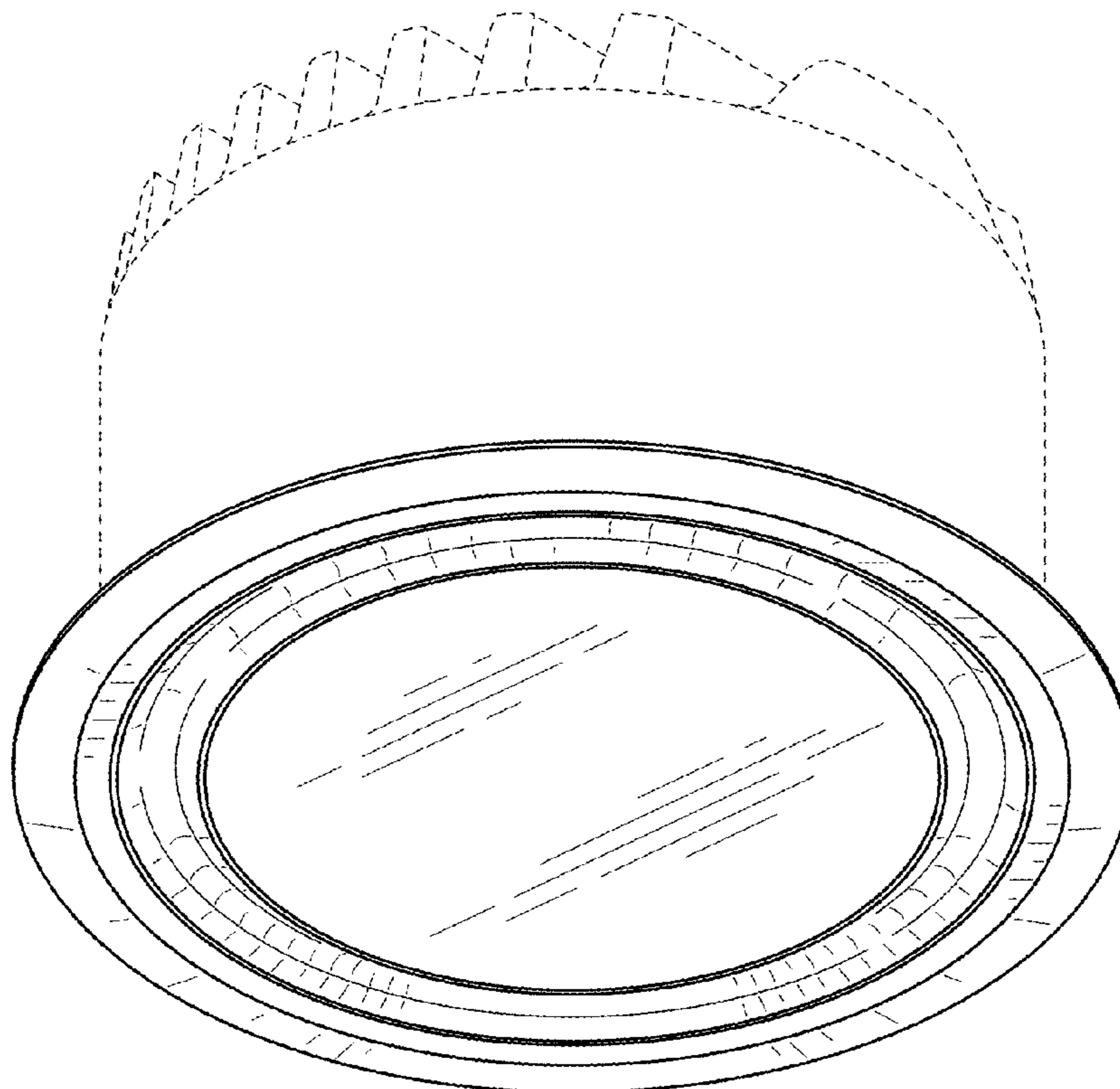
(57) **CLAIM**

The ornamental design for a luminaire, as shown and described.

DESCRIPTION

FIG. 1 is a front perspective view of my luminaire.
FIG. 2 is a left side view of the luminaire.
FIG. 3 is a right side view of the luminaire.
FIG. 4 is a top view of the luminaire.
FIG. 5 is a bottom side view of the luminaire.
FIG. 6 is a back view of the luminaire; and,
FIG. 7 is a front view of the luminaire.
The broken lines illustrate environmental features that form no part of the claimed design.

1 Claim, 4 Drawing Sheets



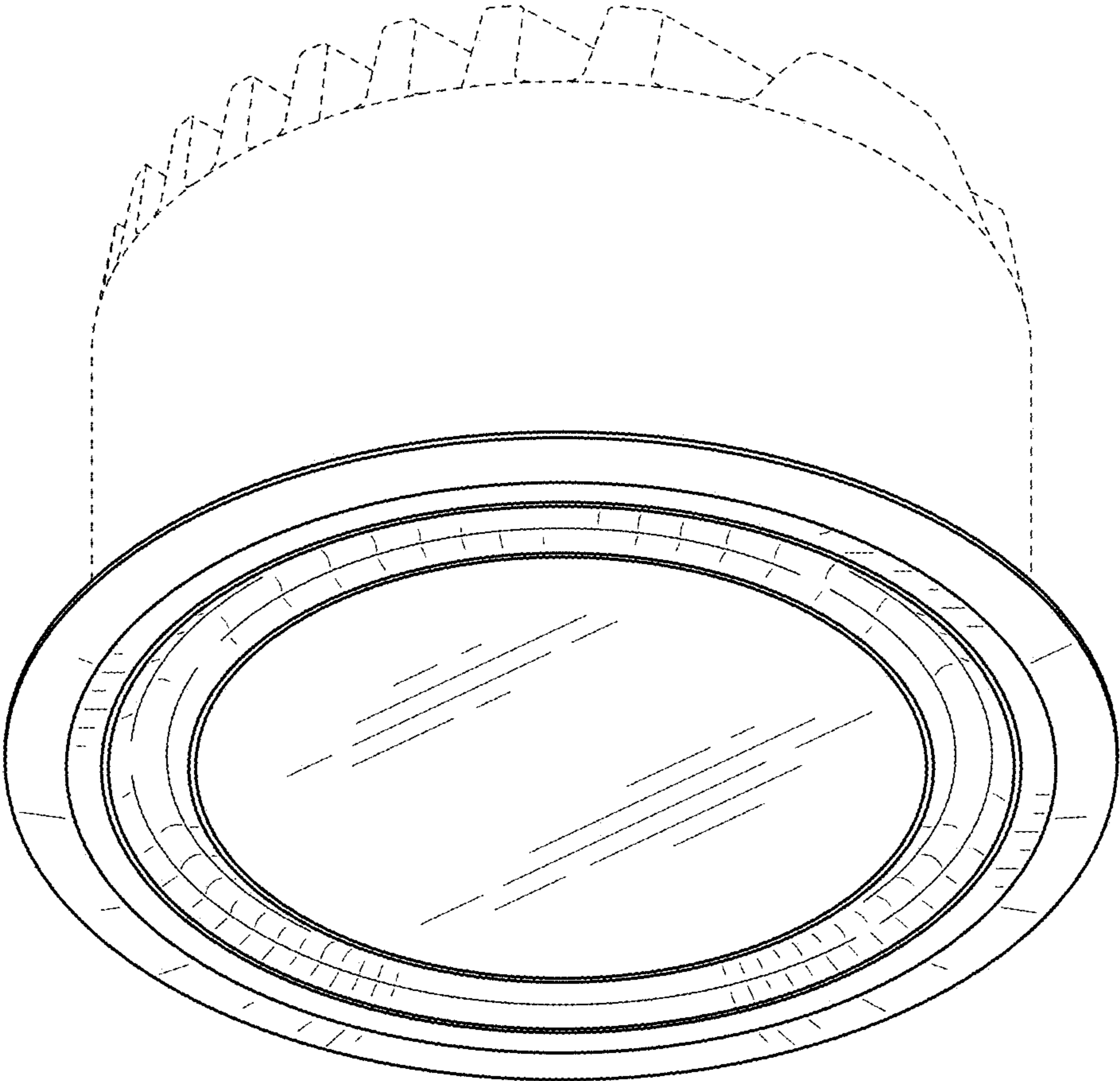


FIG. 1

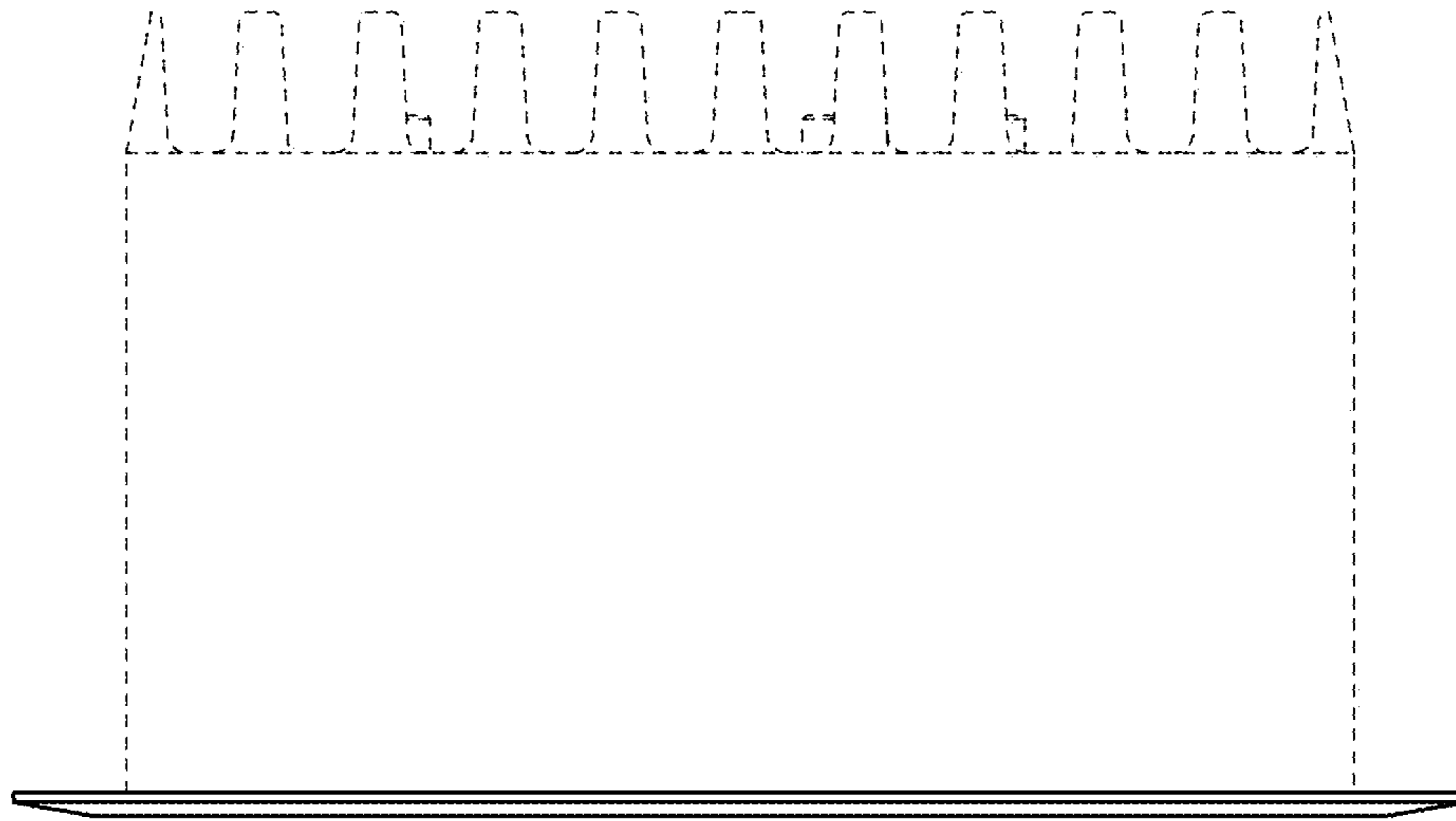


FIG. 2

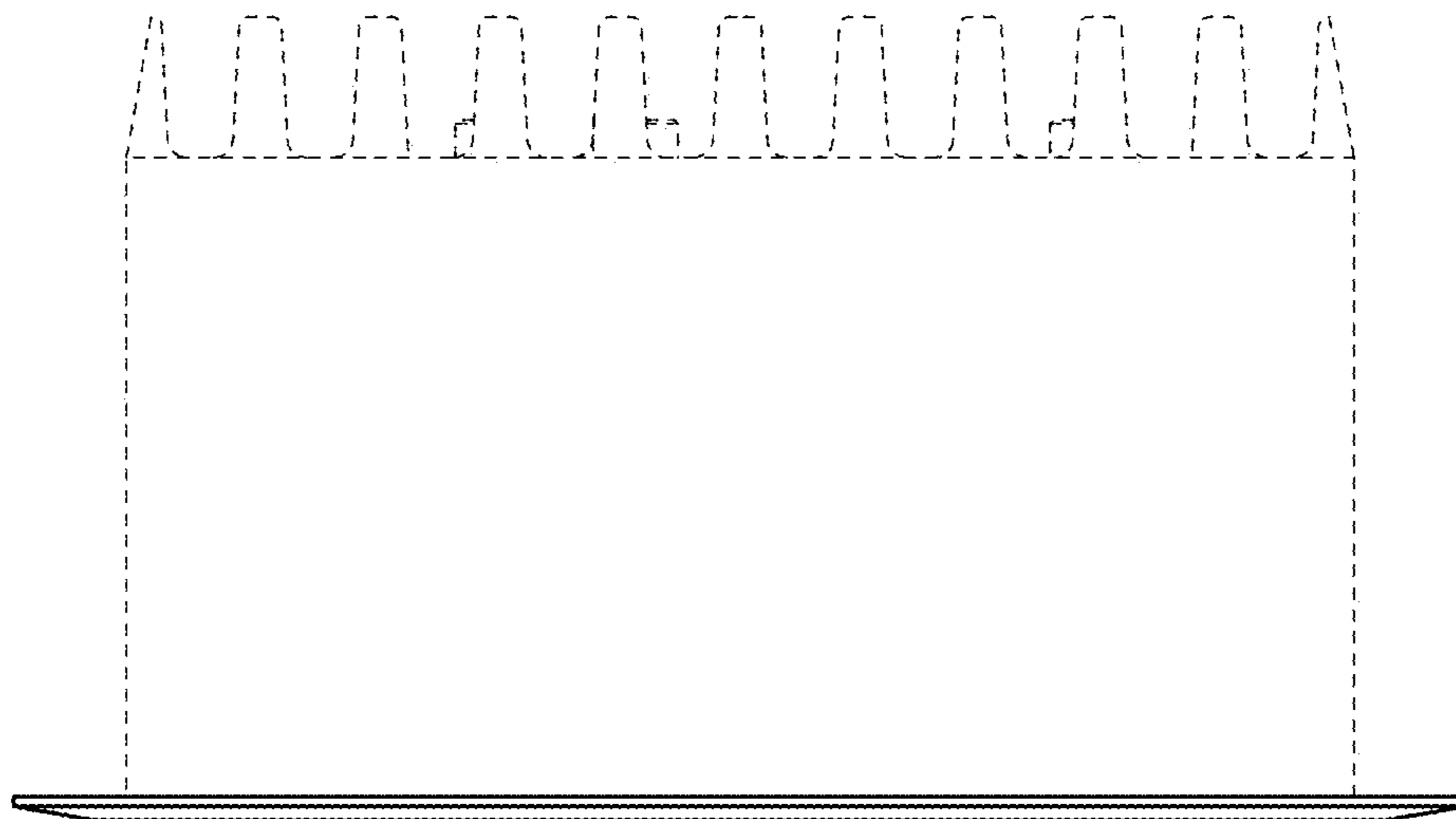


FIG. 3

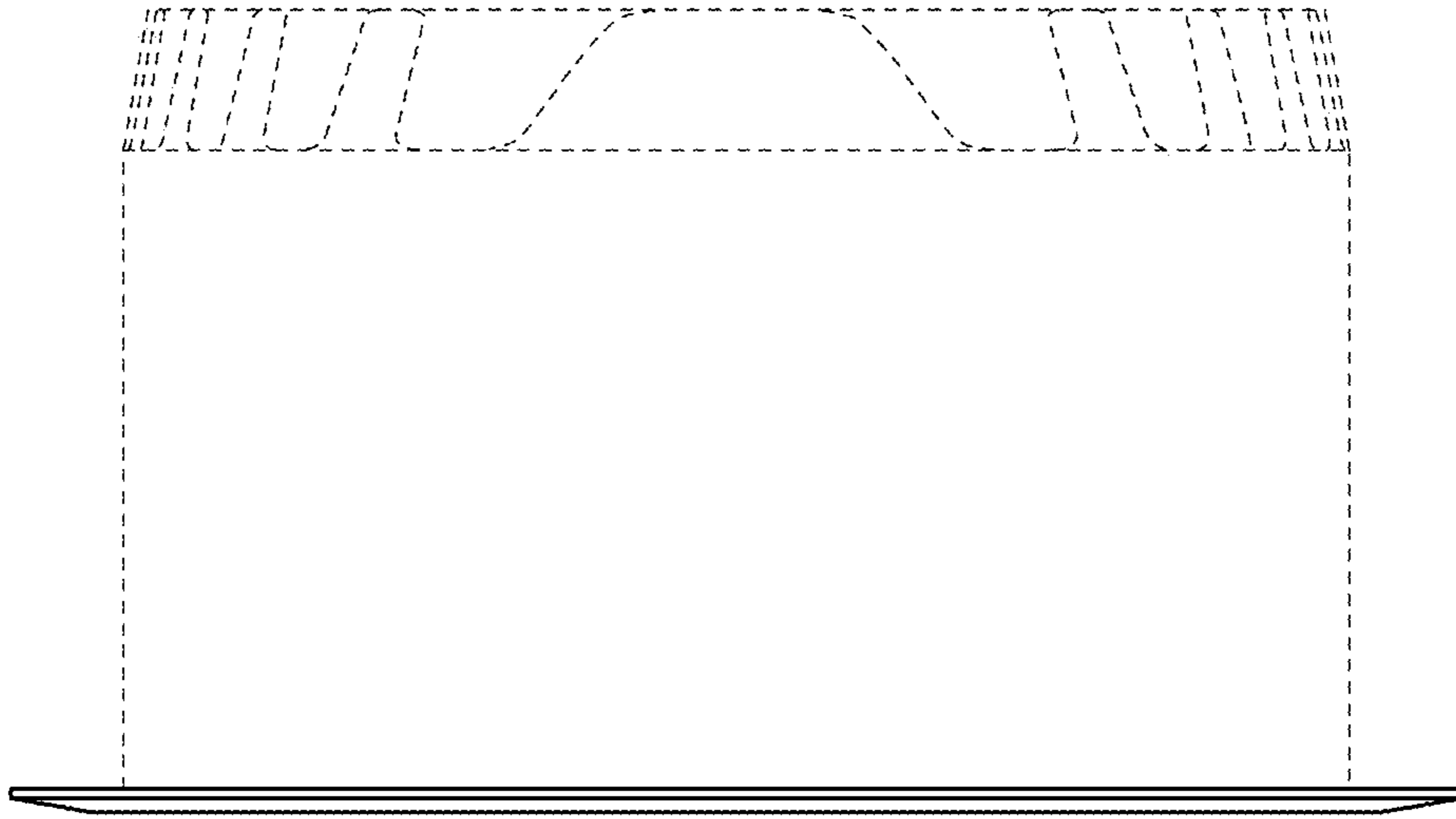


FIG. 4

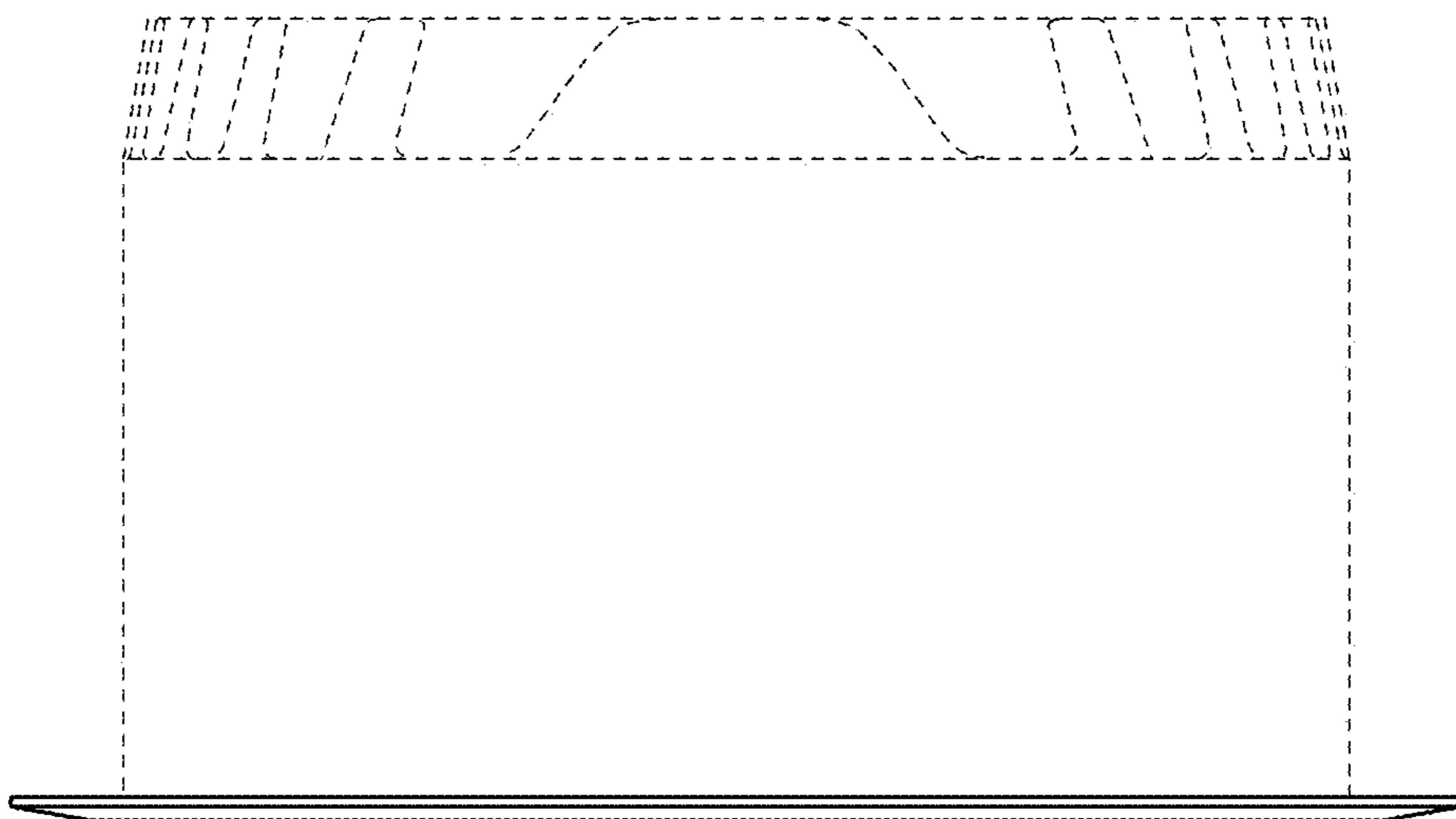


FIG. 5

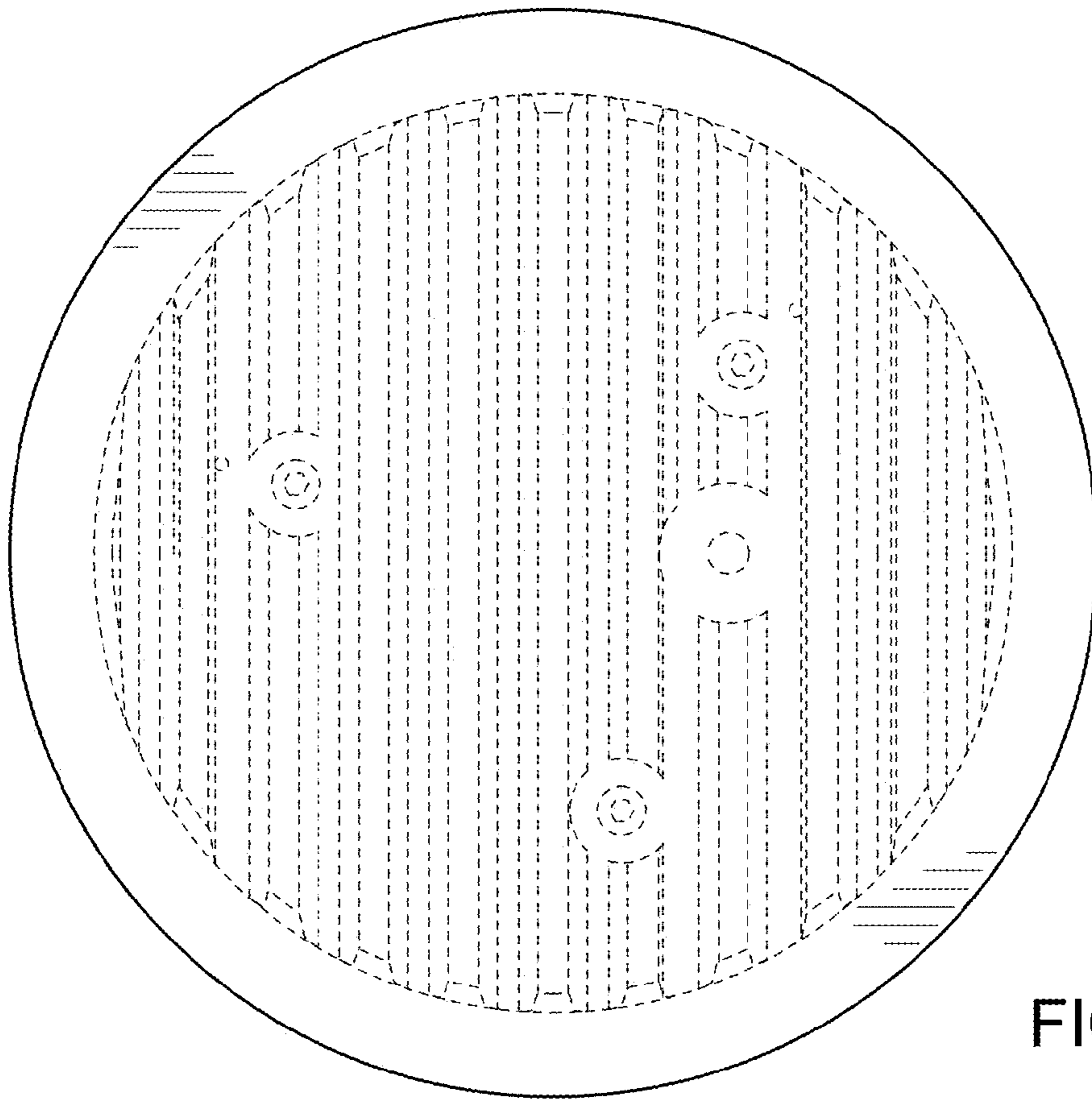


FIG. 6

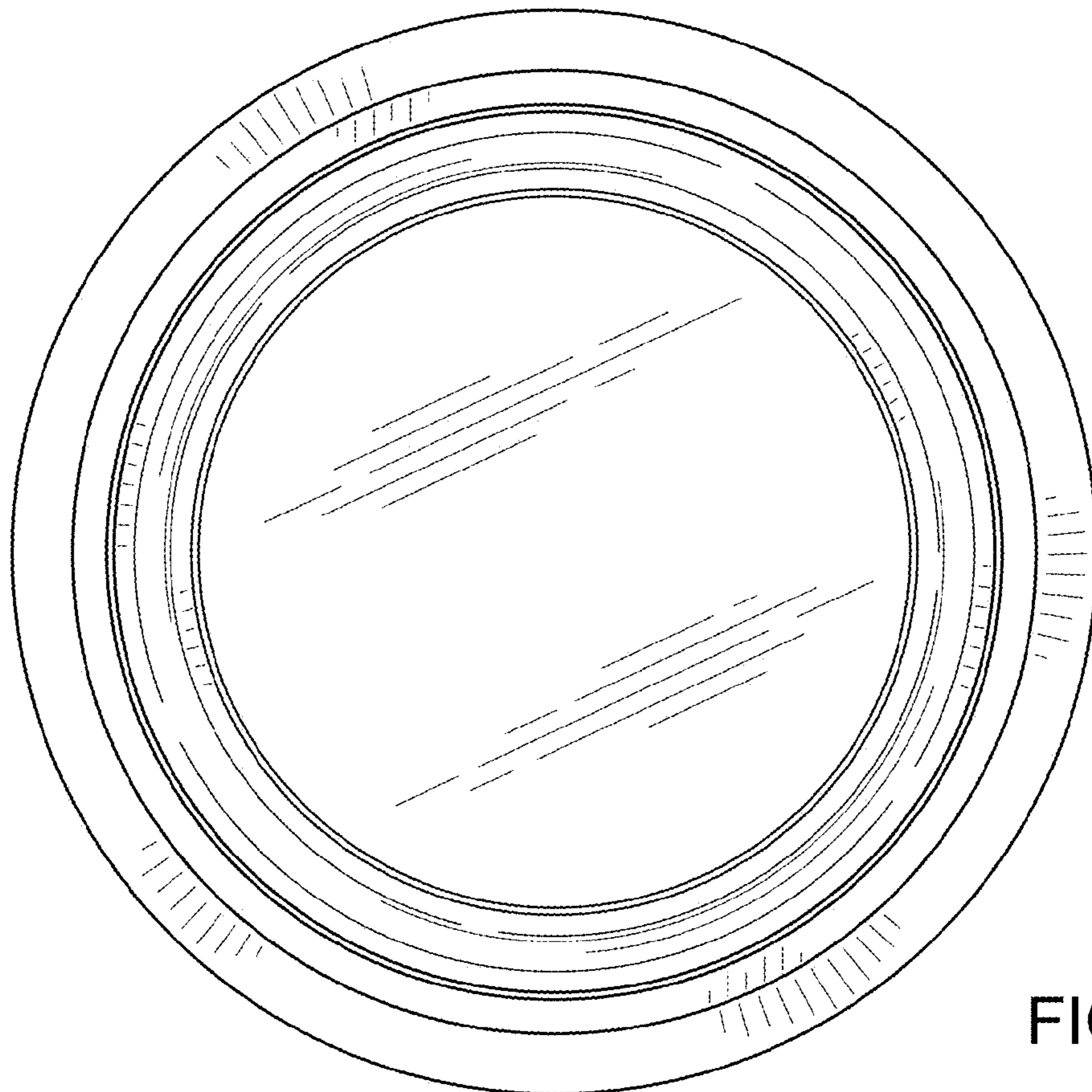


FIG. 7