



US00D887060S

(12) **United States Design Patent**  
**Wang et al.**

(10) **Patent No.:** **US D887,060 S**  
(45) **Date of Patent:** **\*\* Jun. 9, 2020**

(54) **SECURITY LAMP**

(71) Applicants: **SHANGHAI SANSE ELECTRONIC ENGINEERING CO. LTD.**, Shanghai (CN); **SANSI OPTOELECTRONICS TECHNOLOGY (SHANGHAI) CO. LTD.**, Shanghai (CN); **SHANGHAI SANSE TECHNOLOGY CO. LTD.**, Shanghai (CN); **JIASHAN SANSE OPTOELECTRONIC TECHNOLOGY CO. LTD.**, Zhejiang (CN)

(72) Inventors: **Peng Wang**, Shanghai (CN); **Yinghong Shuai**, Shanghai (CN); **Xiaoliang He**, Shanghai (CN); **Luping Miu**, Shanghai (CN)

(73) Assignees: **SHANGHAI SANSE ELECTRONIC ENGINEERING CO. LTD.**, Shanghai (CN); **SANSI OPTOELECTRONICS TECHNOLOGY (SHANGHAI) CO. LTD.**, Shanghai (CN); **SHANGHAI SANSE TECHNOLOGY CO. LTD.**, Shanghai (CN); **JIASHAN SANSE OPTOELECTRONIC TECHNOLOGY CO. LTD.**, Zhejiang (CN)

(\*\*) **Term:** **15 Years**

(21) **Appl. No.:** **29/719,004**

(22) **Filed:** **Dec. 31, 2019**

**Related U.S. Application Data**

(62) Division of application No. 29/666,668, filed on Oct. 15, 2018.

(51) **LOC (12) Cl.** ..... **26-05**

(52) **U.S. Cl.**  
USPC ..... **D26/63**

(58) **Field of Classification Search**

USPC ..... D26/24, 25, 35, 60, 61, 63, 65, 70, 72, D26/81, 83, 92, 102, 113, 118, 124; D16/239; D14/126

CPC ..... F21V 21/02; F21V 21/06; F21V 21/14; F21V 21/26; F21V 21/30; F21V 5/007; F21V 14/00; F21V 14/02; F21V 14/04; F21V 14/06; F21W 2131/10; F21W 2131/40; F21W 2131/107; F21W 2131/109; F21W 2131/401-407; F21W 2131/1005; F21S 8/00; F21S 8/04; F21S 8/08; F21S 8/003; F21S 8/043

See application file for complete search history.

(56) **References Cited**

**U.S. PATENT DOCUMENTS**

D294,870 S \* 3/1988 Hsu ..... D26/52  
D301,634 S \* 6/1989 Decandia ..... D26/63  
D360,960 S \* 8/1995 Wedell ..... D26/63

(Continued)

*Primary Examiner* — Wan Laymon

*Assistant Examiner* — Clint A Samuel

(74) *Attorney, Agent, or Firm* — Oliff PLC

(57) **CLAIM**

The ornamental design for a security lamp, as shown and described.

**DESCRIPTION**

FIG. 1 is a front, right-side, top perspective view of the security lamp;

FIG. 2 is a front elevational view thereof;

FIG. 3 is a top plan view thereof;

FIG. 4 is a left-side elevational view thereof;

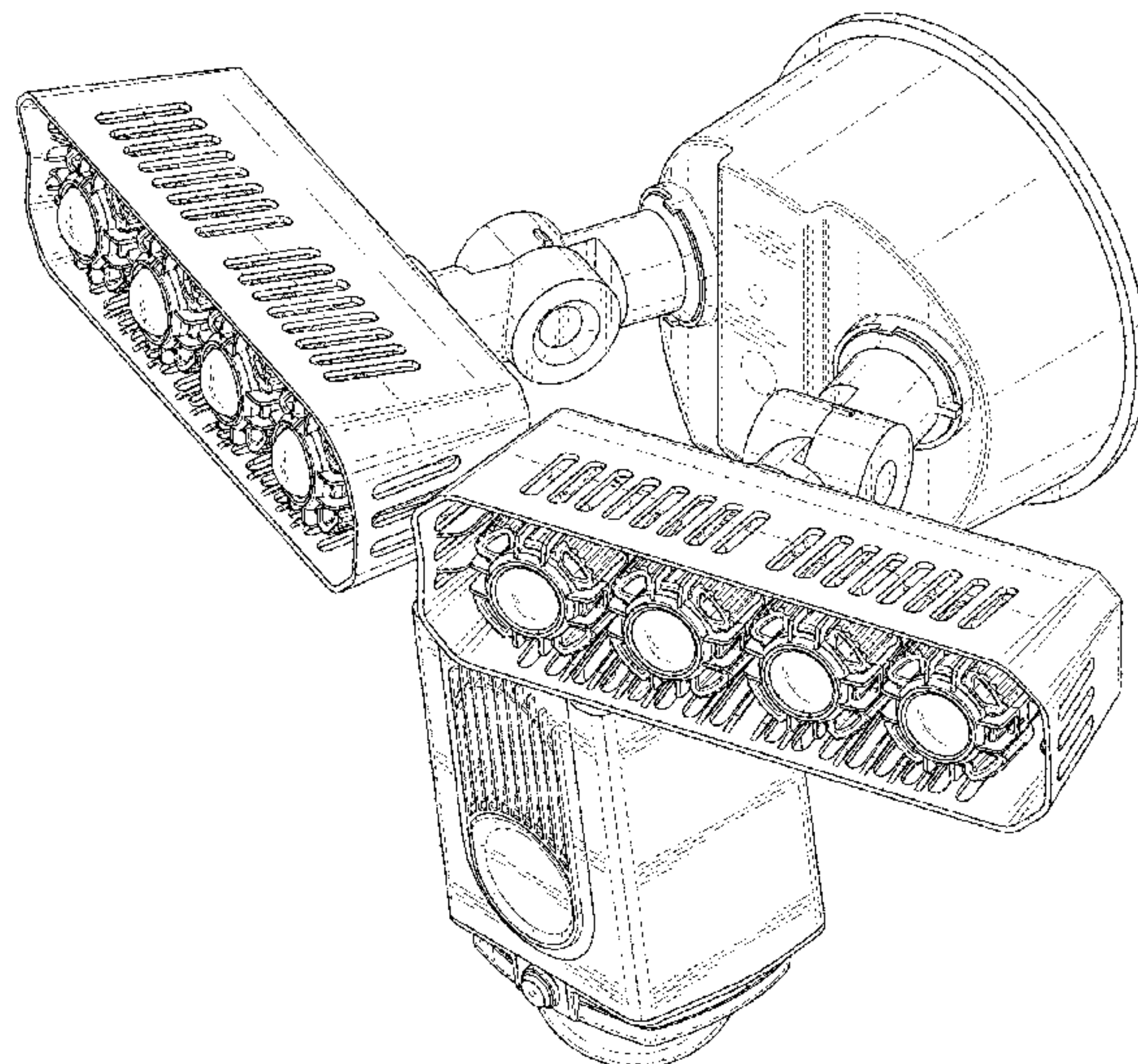
FIG. 5 is a right-side elevational view thereof;

FIG. 6 is a rear elevational view thereof; and,

FIG. 7 is a bottom plan view thereof.

The broken lines depict parts of the security lamp that form no part of the claimed design.

**1 Claim, 7 Drawing Sheets**



(56)

**References Cited**

U.S. PATENT DOCUMENTS

D392,406	S *	3/1998	Morrow	.....	D10/106.1
D546,997	S *	7/2007	Monroe	.....	D26/51
D560,838	S *	1/2008	Monroe	.....	D26/63
D583,974	S *	12/2008	Johnson	.....	D26/61
D713,581	S *	9/2014	Chen	.....	D26/63
D713,582	S *	9/2014	Liang	.....	D26/63
D742,053	S *	10/2015	Sussman	.....	D26/63
D745,201	S *	12/2015	Lee	.....	D26/63
D765,901	S *	9/2016	Chen	.....	D26/63
D774,231	S *	12/2016	Recker	.....	D26/63
D810,982	S *	2/2018	Liang	.....	D26/63
D826,445	S *	8/2018	Cao	.....	D26/63
D857,961	S *	8/2019	Mai	.....	D26/61
D858,842	S *	9/2019	Chen	.....	D26/63
D858,845	S *	9/2019	Zhang	.....	D26/63
D862,758	S *	10/2019	Zhu	.....	D26/63
D869,038	S *	12/2019	Recker	.....	D26/63
10,520,177	B2 *	12/2019	Bailey	.....	F21V 17/02
D878,656	S *	3/2020	Recker	.....	D26/63
D879,349	S *	3/2020	Li	.....	D26/63
2015/0036359	A1 *	2/2015	Chen	.....	F21S 8/033
					362/368
2019/0056076	A1 *	2/2019	Thomas	.....	F21V 29/763

\* cited by examiner



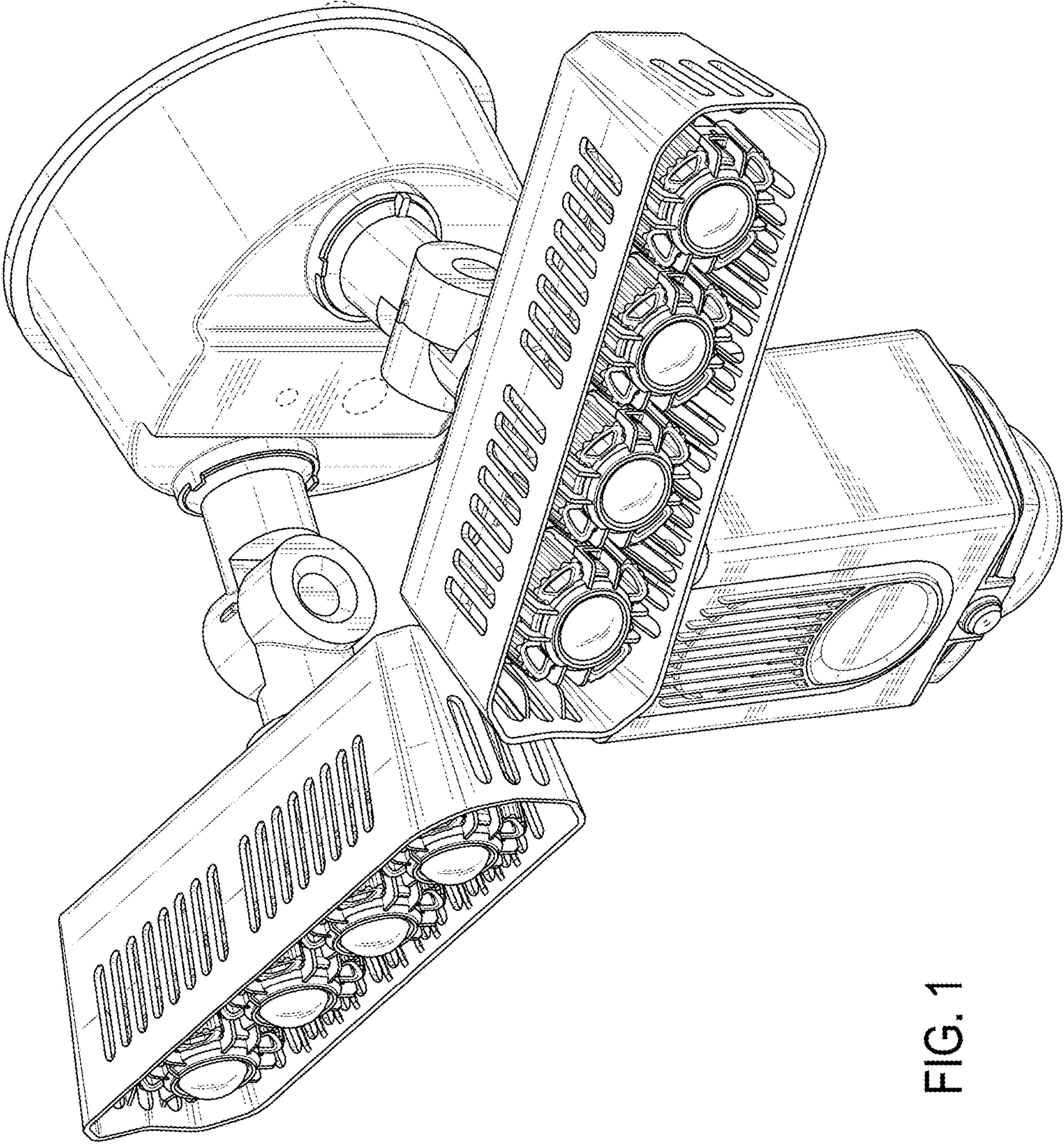


FIG. 1



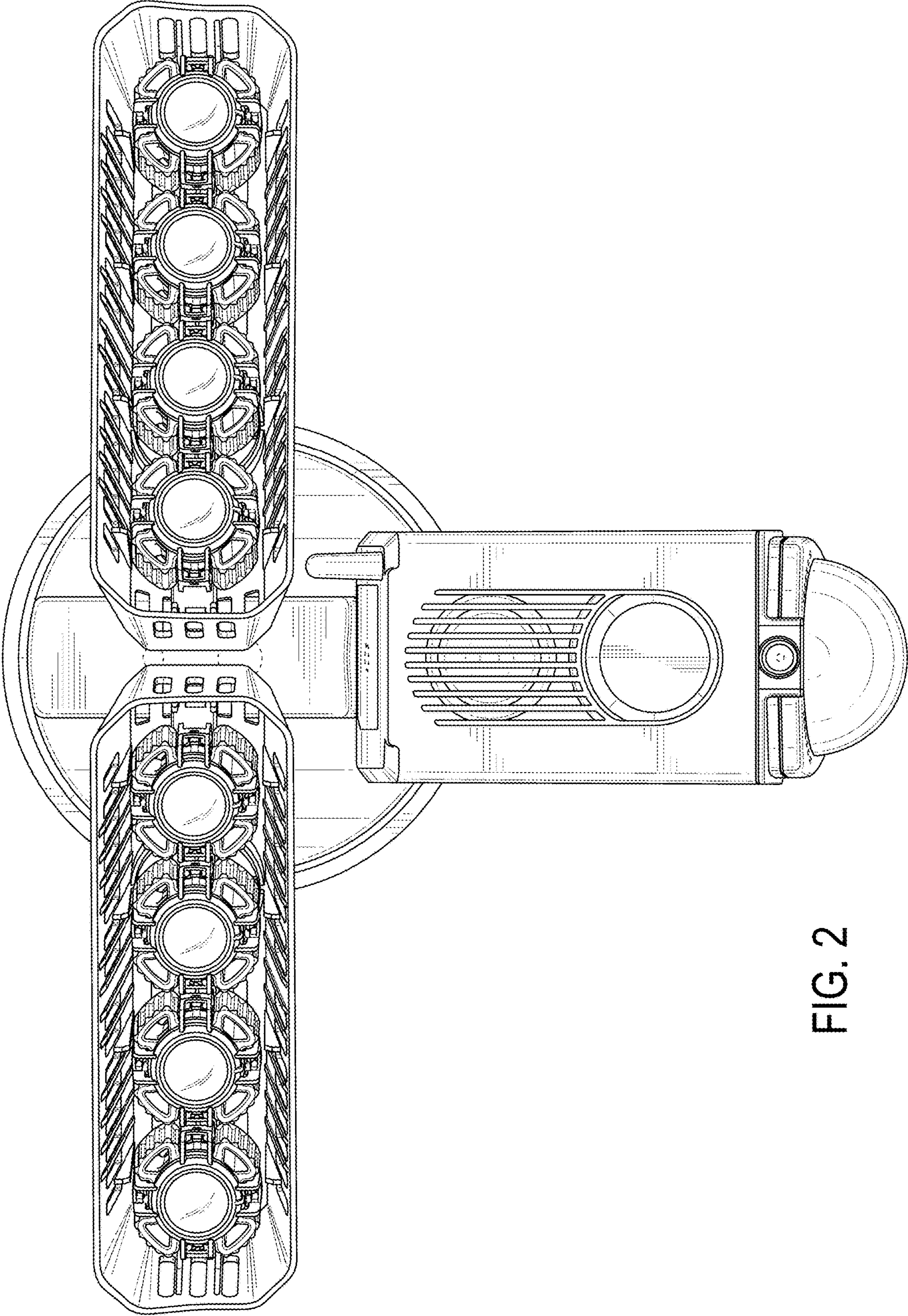


FIG. 2

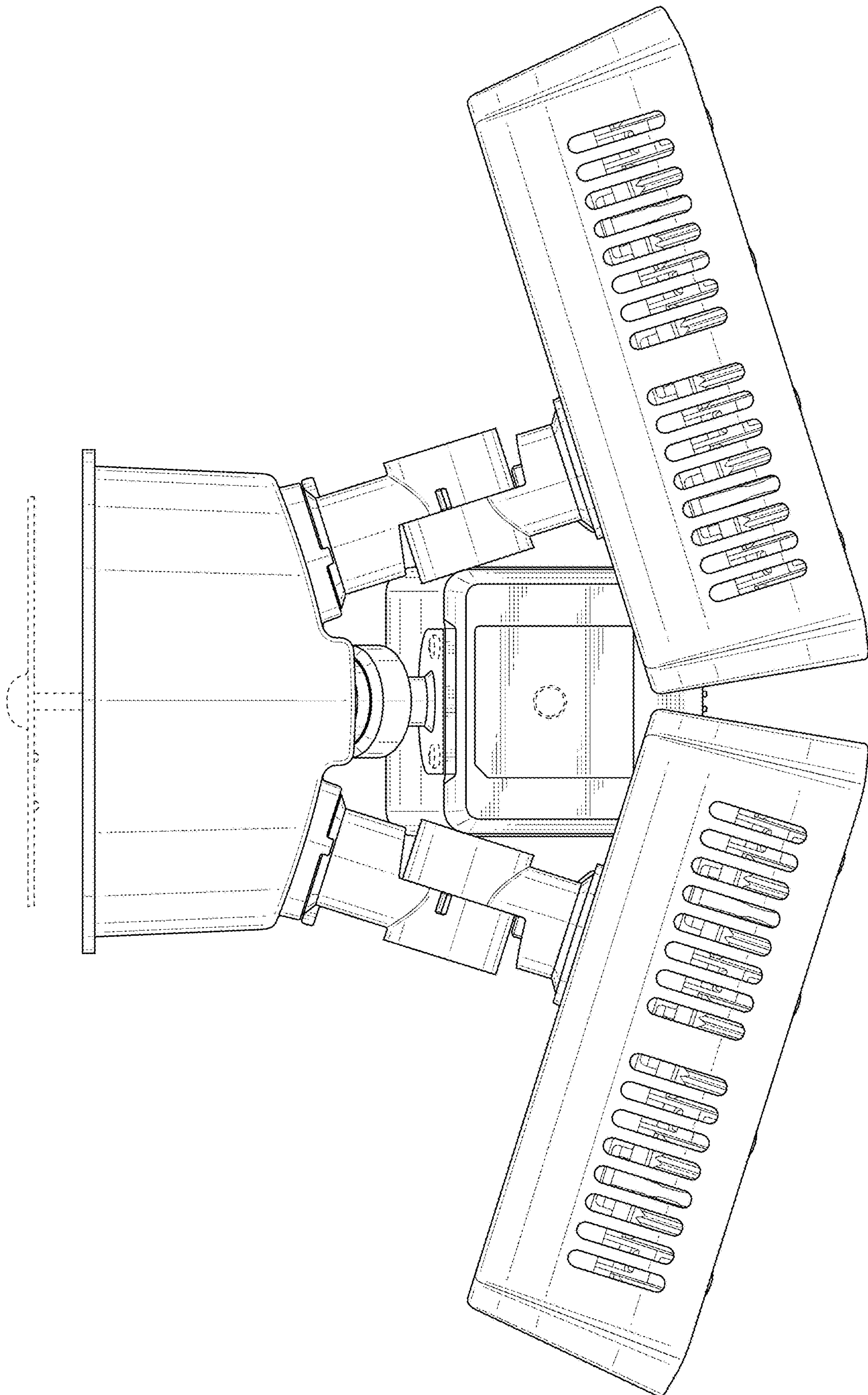


FIG. 3



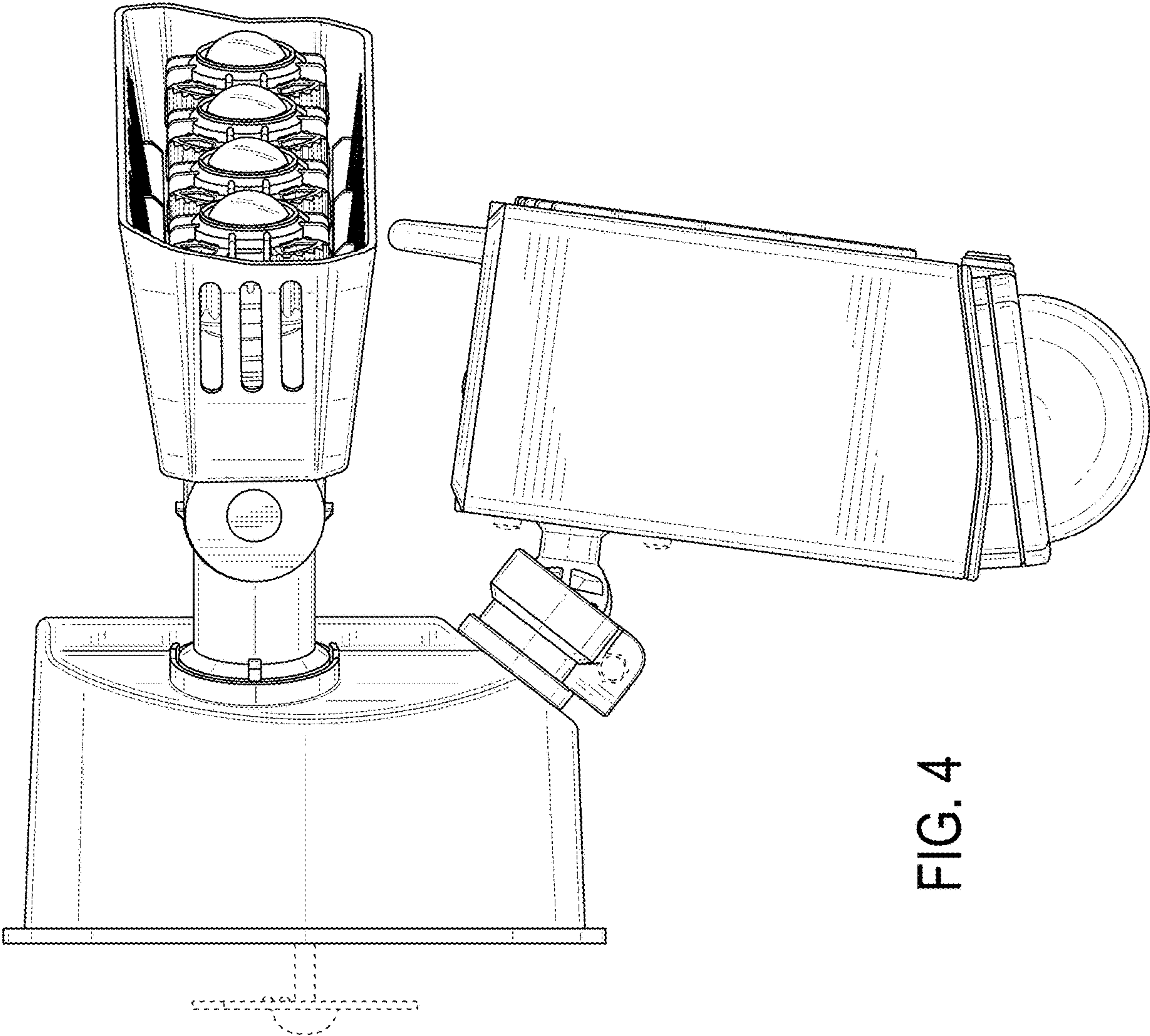


FIG. 4

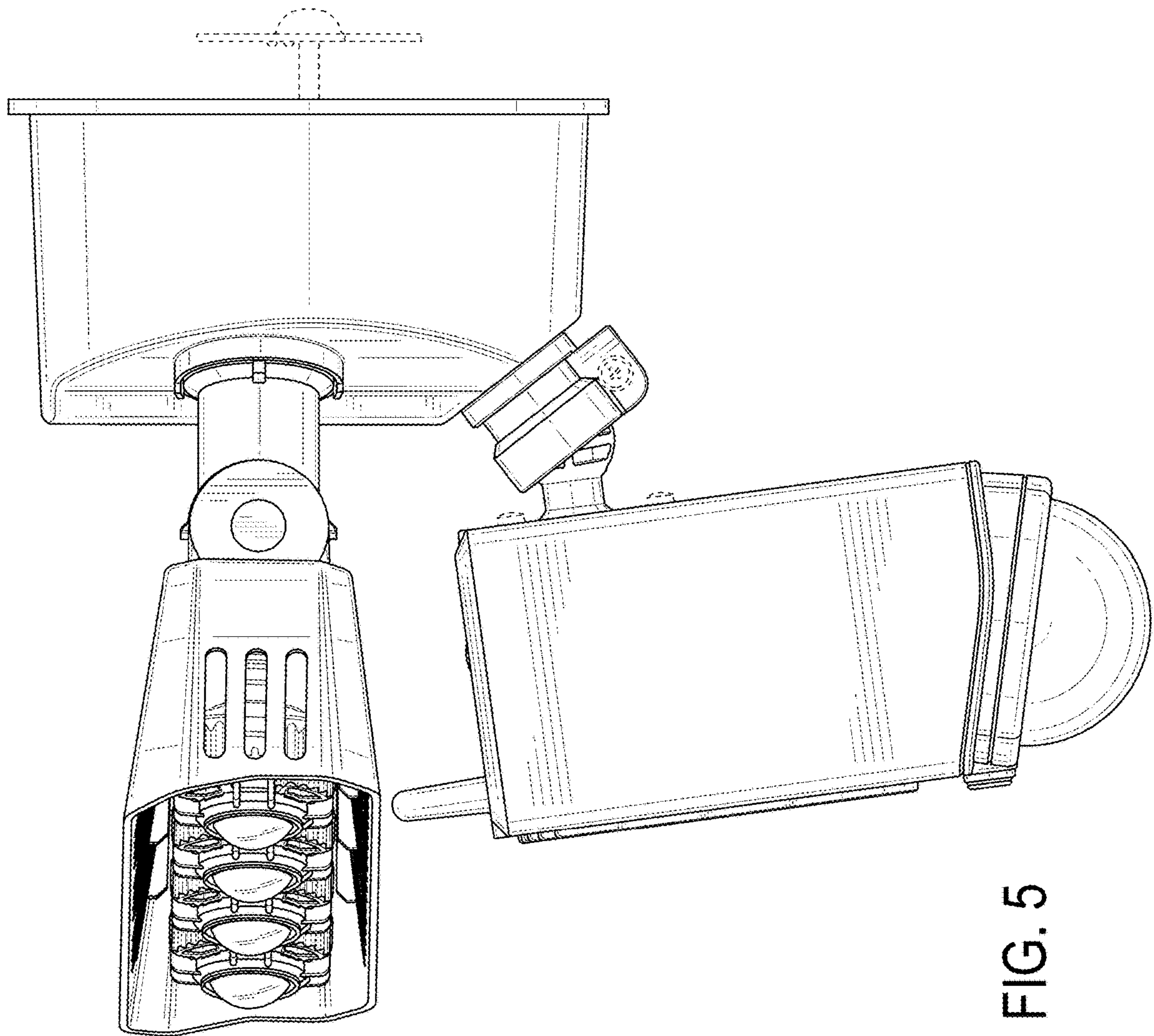


FIG. 5

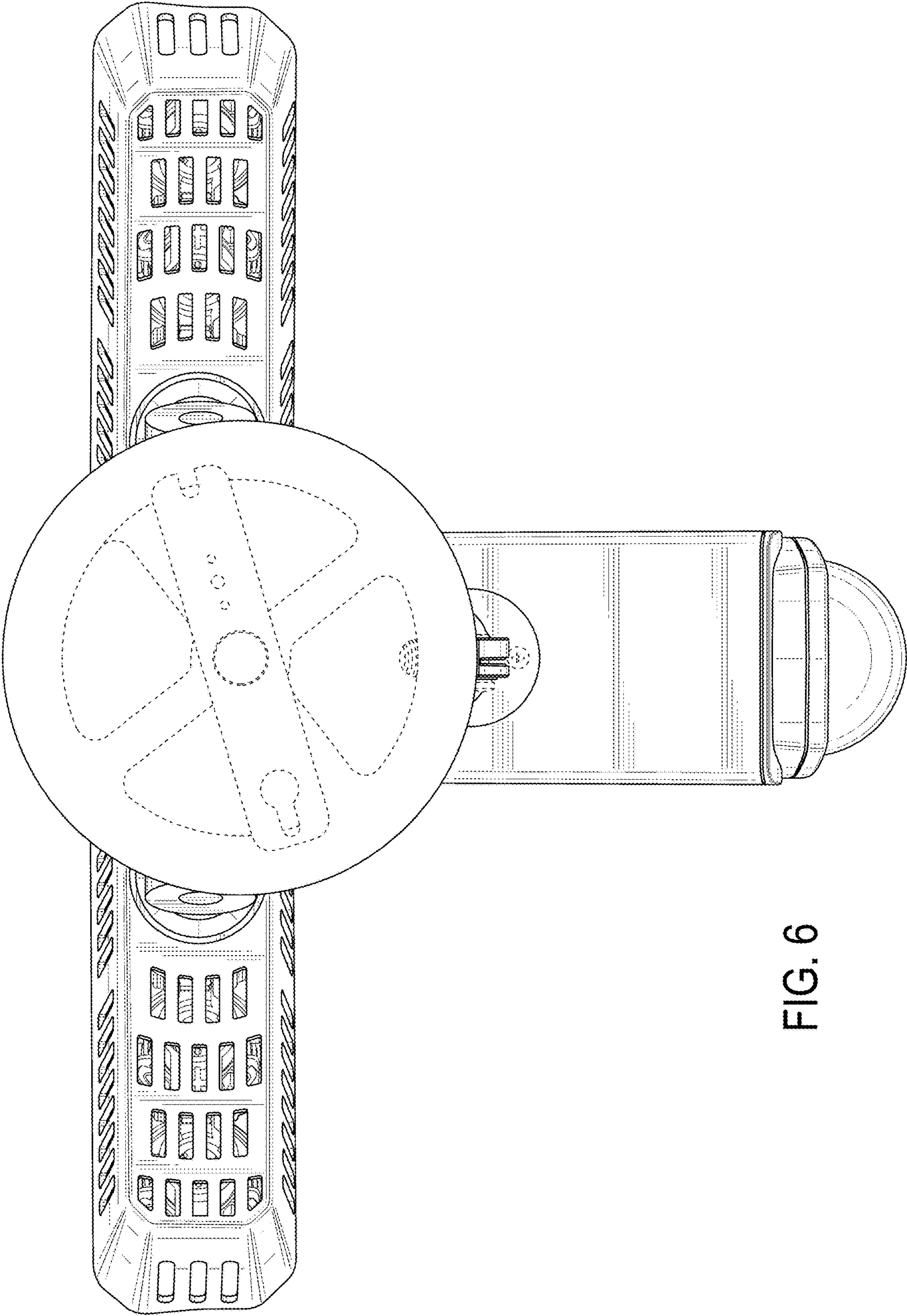


FIG. 6



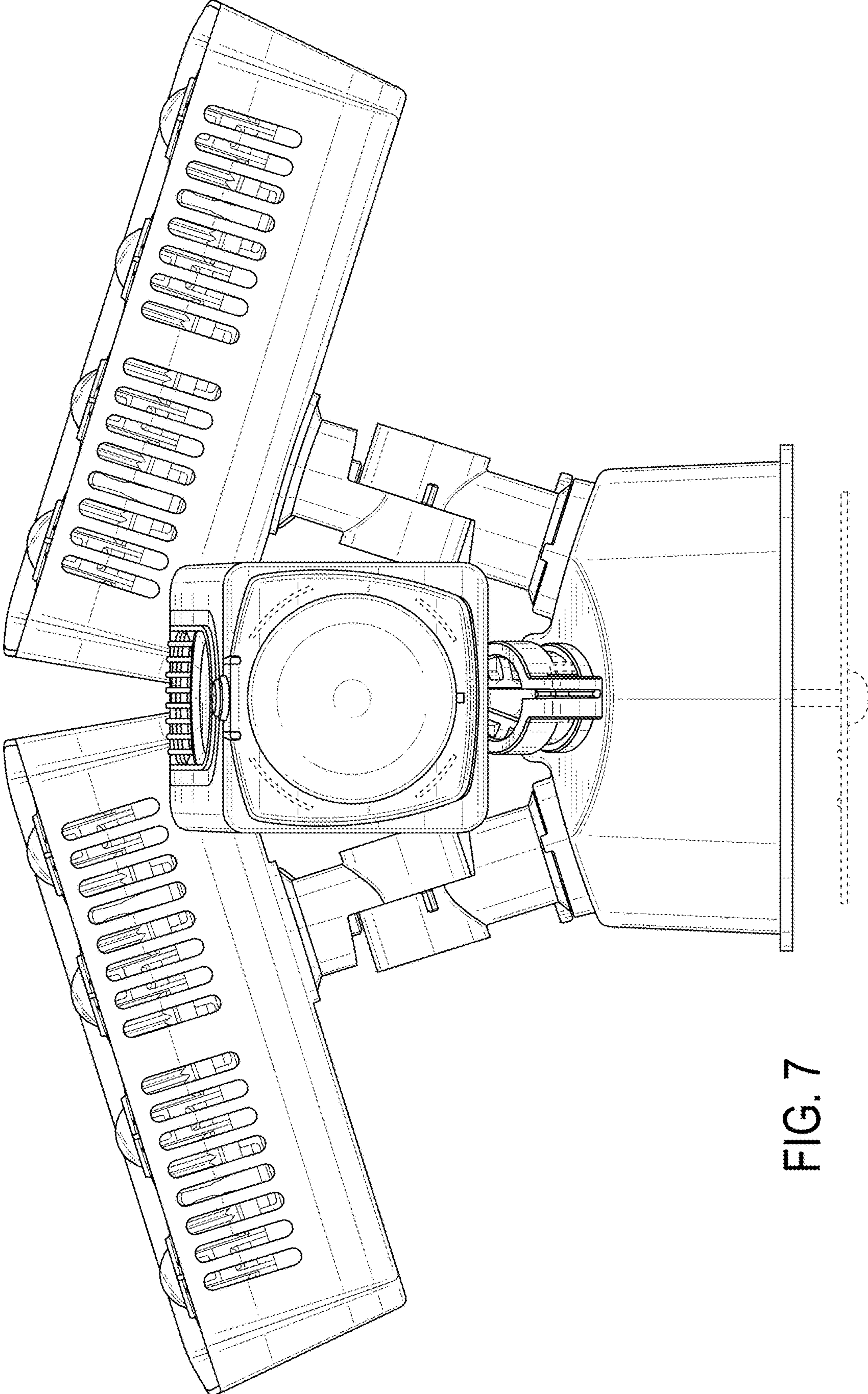


FIG. 7