



US00D887059S

(12) **United States Design Patent**  
**Liu**

(10) **Patent No.:** **US D887,059 S**  
(45) **Date of Patent:** **\*\* Jun. 9, 2020**

(54) **SOLAR LAWN LAMP**  
(71) Applicant: **SHENZHEN OEKO TECHNOLOGY CO., LTD**, Shenzhen (CN)  
(72) Inventor: **Zhiyong Liu**, Shenzhen (CN)  
(73) Assignee: **SHENZHEN OEKO TECHNOLOGY CO., LTD**, Shenzhen (CN)

(\*\*) Term: **15 Years**  
(21) Appl. No.: **29/718,246**  
(22) Filed: **Dec. 23, 2019**  
(51) **LOC (12) Cl.** ..... **26-05**  
(52) **U.S. Cl.**  
USPC ..... **D26/63; D26/67**  
(58) **Field of Classification Search**  
USPC ..... D26/63, 67, 68, 85, 118  
CPC .... F21S 8/003; F21S 8/08; F21S 8/081; F21S 8/083; F21S 9/03; F21S 9/032; F21S 9/035; F21S 9/037; F21S 10/007; F21V 21/0824; F21V 21/26; F21W 2121/004; F21W 2121/006; F21W 2121/008; F21W 2131/10; F21W 2131/109; G02B 27/20  
See application file for complete search history.

(56) **References Cited**  
U.S. PATENT DOCUMENTS  
D47,816 S \* 9/1915 Green ..... D26/24  
D329,505 S \* 9/1992 Miller ..... D26/63  
D355,042 S \* 1/1995 Panagiotou ..... D26/63  
D471,307 S 3/2003 Yung  
D528,242 S \* 9/2006 Wood ..... D26/67  
D619,290 S \* 7/2010 You ..... D26/63  
D797,974 S \* 9/2017 Liang ..... D26/63  
D838,026 S \* 1/2019 Jiang ..... D26/67  
D841,213 S 2/2019 Zhuo  
D841,858 S \* 2/2019 Deng ..... D26/68  
D851,799 S 6/2019 Liu

D852,398 S \* 6/2019 Liu ..... D26/63  
10,330,296 B1 \* 6/2019 Lin ..... F21V 31/005  
D856,564 S \* 8/2019 Liu ..... D26/63  
D866,836 S \* 11/2019 Ji ..... D26/63  
D869,041 S 12/2019 Yan  
D875,289 S \* 2/2020 Hu ..... D26/63  
2017/0082254 A1 \* 3/2017 Zhang ..... A63G 31/12  
2018/0283657 A1 \* 10/2018 Xiong ..... F21V 21/0824

**OTHER PUBLICATIONS**

Jesled 14 LED Solar Landscape Spotlight sold at amazon.com as early as Oct. 30, 2019. (Year: 2019).\*  
Litom 12 LED Solar Spot Light sold at amazon.com Nov. 18, 2018. (Year: 2018).\*  
Waykme 32 LED Solar Spotlight at amazon.com as early as Feb. 19, 2020. (Year: 2020).\*

\* cited by examiner

*Primary Examiner* — Clare E Heflin

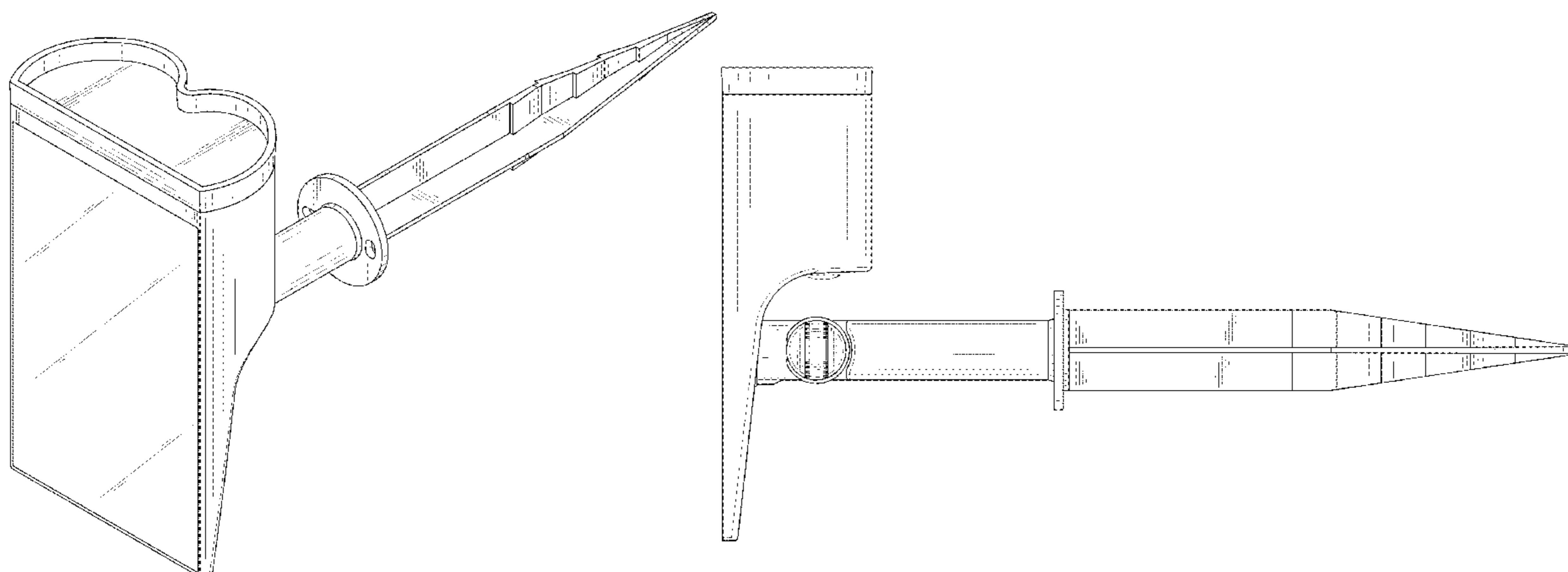
(57) **CLAIM**

The ornamental design for a solar lawn lamp, as shown and described.

**DESCRIPTION**

FIG. 1 is a front, top and right side perspective view of a solar lawn lamp showing my new design;  
FIG. 2 is a rear, bottom and left side perspective view thereof;  
FIG. 3 is a top plan view thereof;  
FIG. 4 is a bottom plan view thereof;  
FIG. 5 is a left side view thereof;  
FIG. 6 is a right side view thereof;  
FIG. 7 is a front elevational view thereof; and,  
FIG. 8 is a rear elevational view thereof.  
The broken lines in the drawings illustrate portions of the solar lawn lamp which form no part of the claimed design.

**1 Claim, 8 Drawing Sheets**



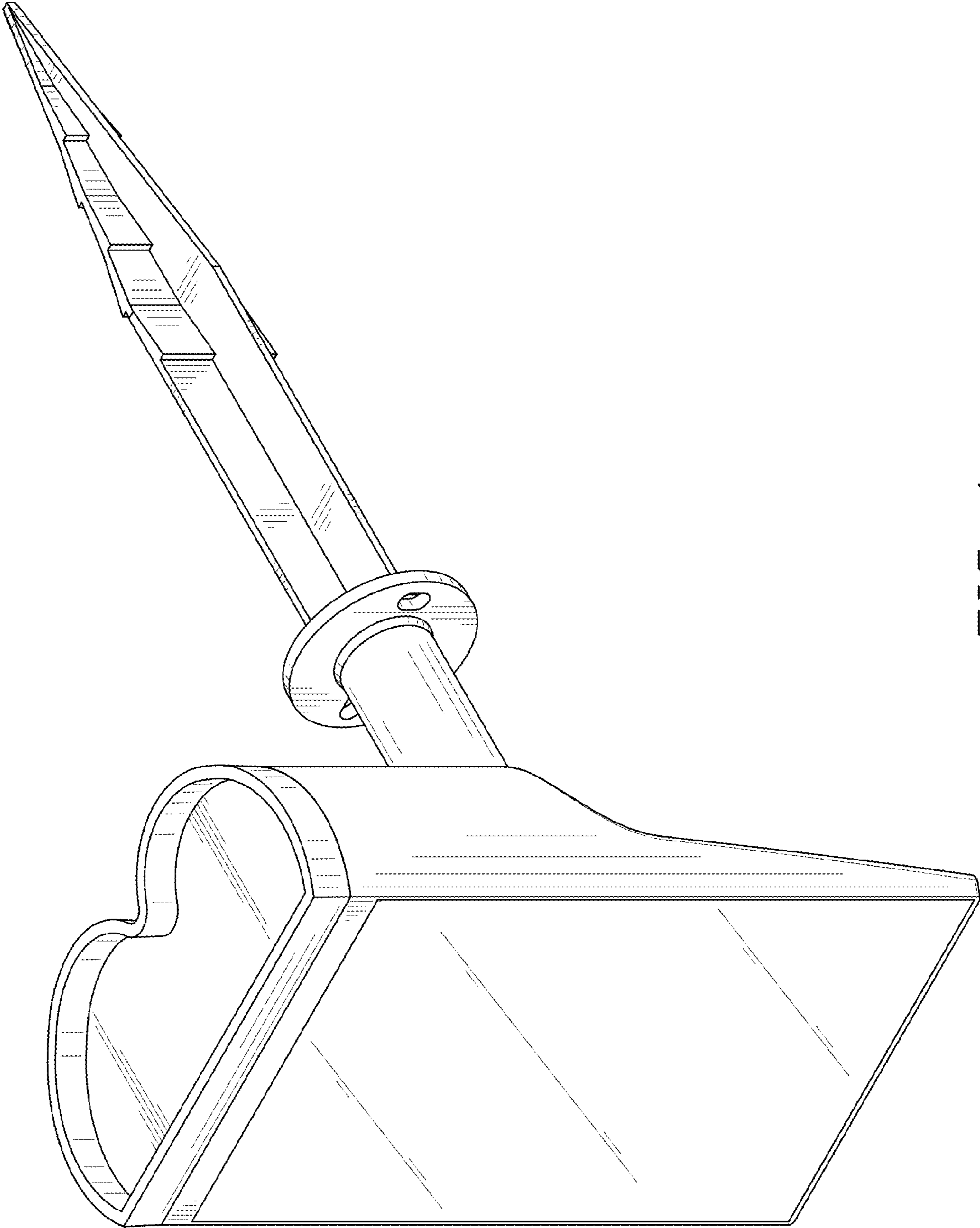


FIG. 1

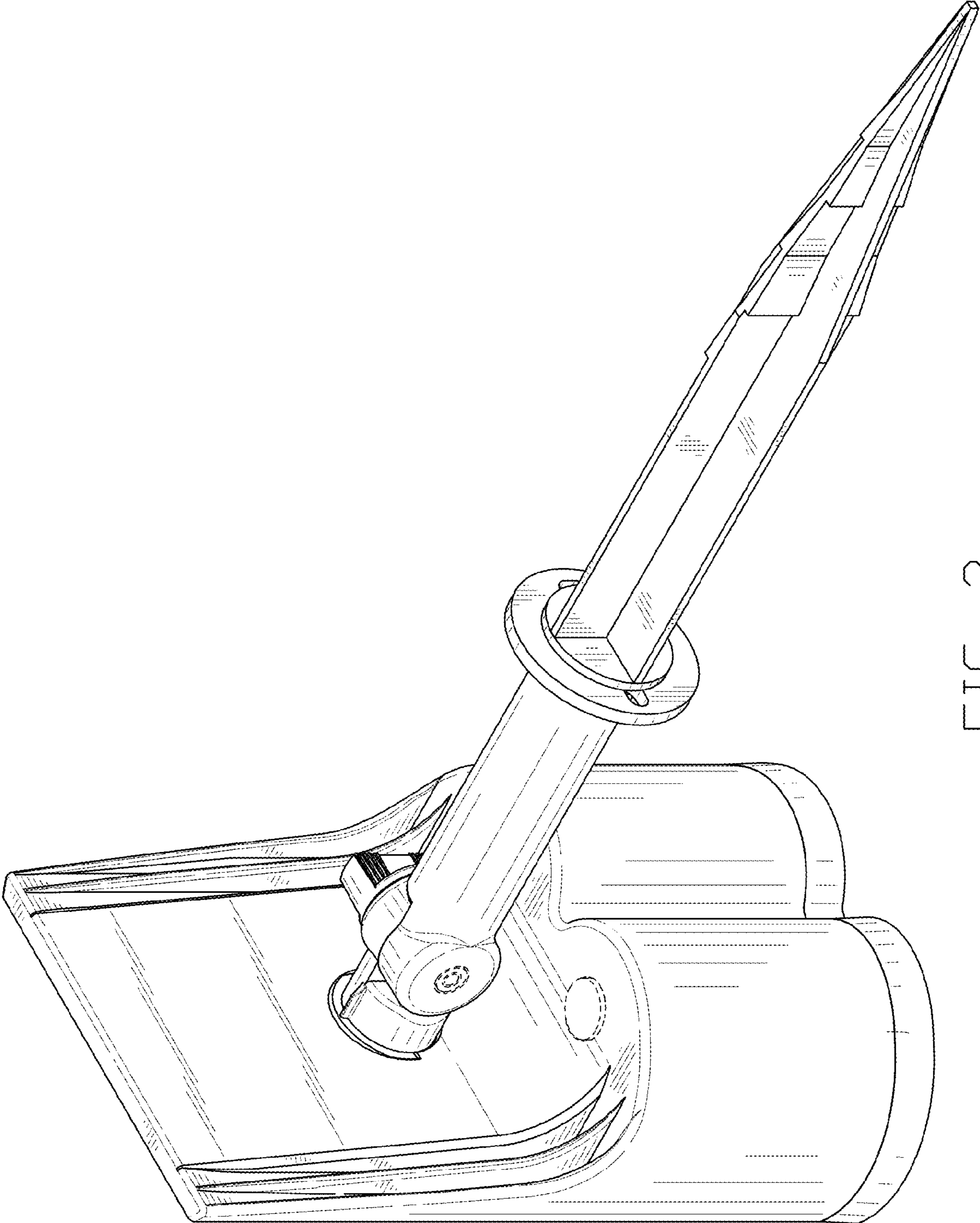


FIG. 2

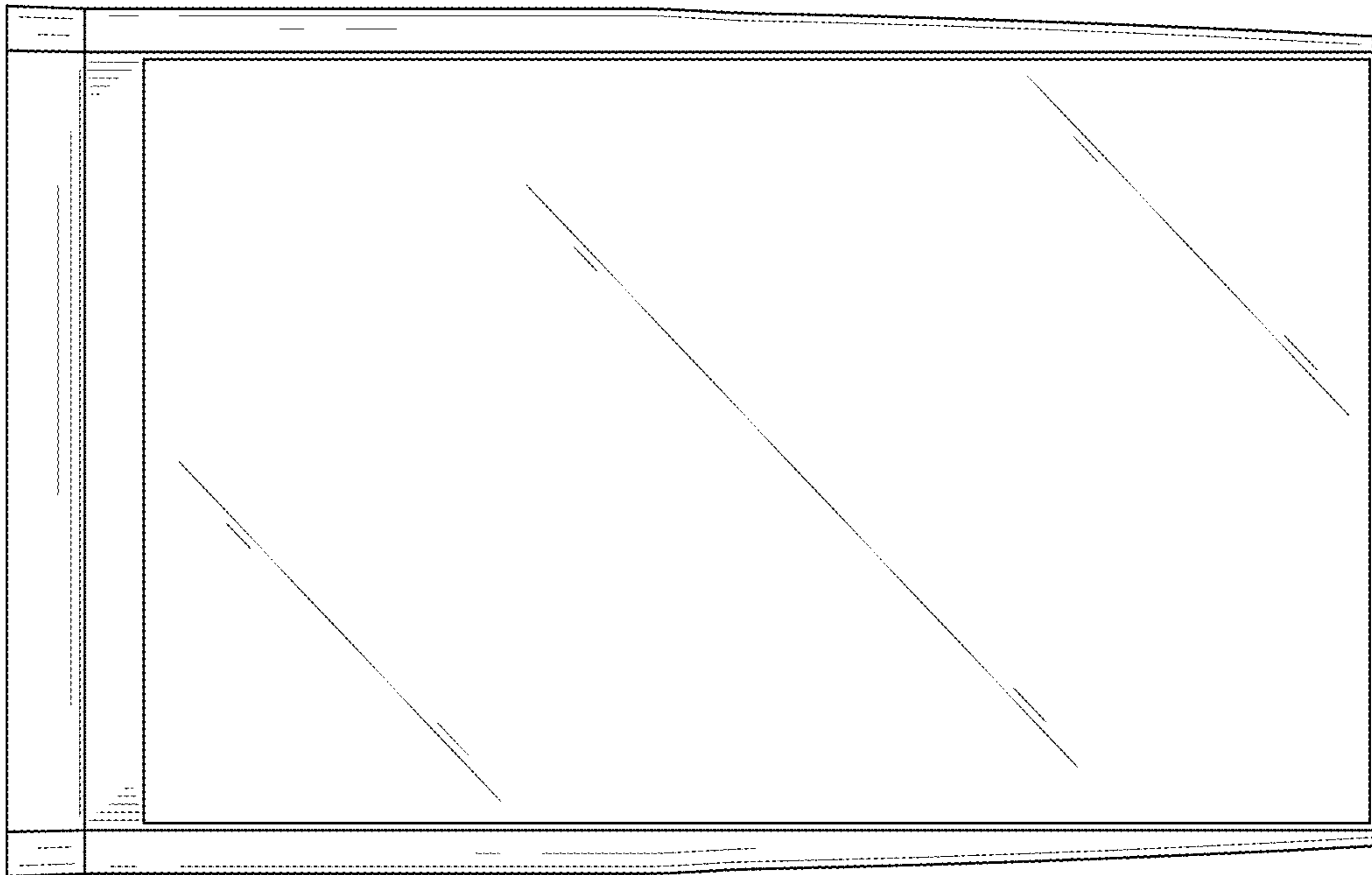


FIG. 3

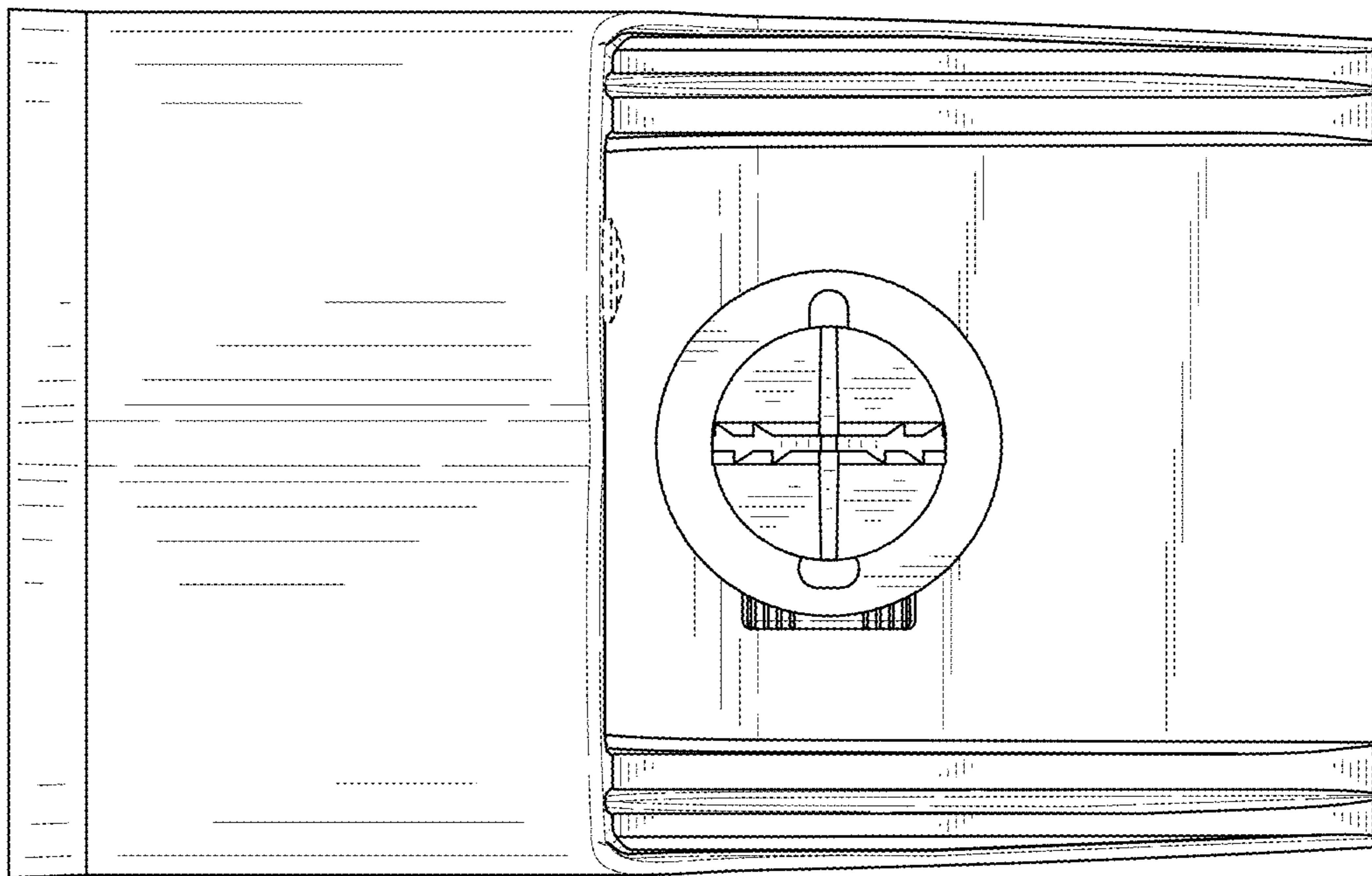


FIG. 4

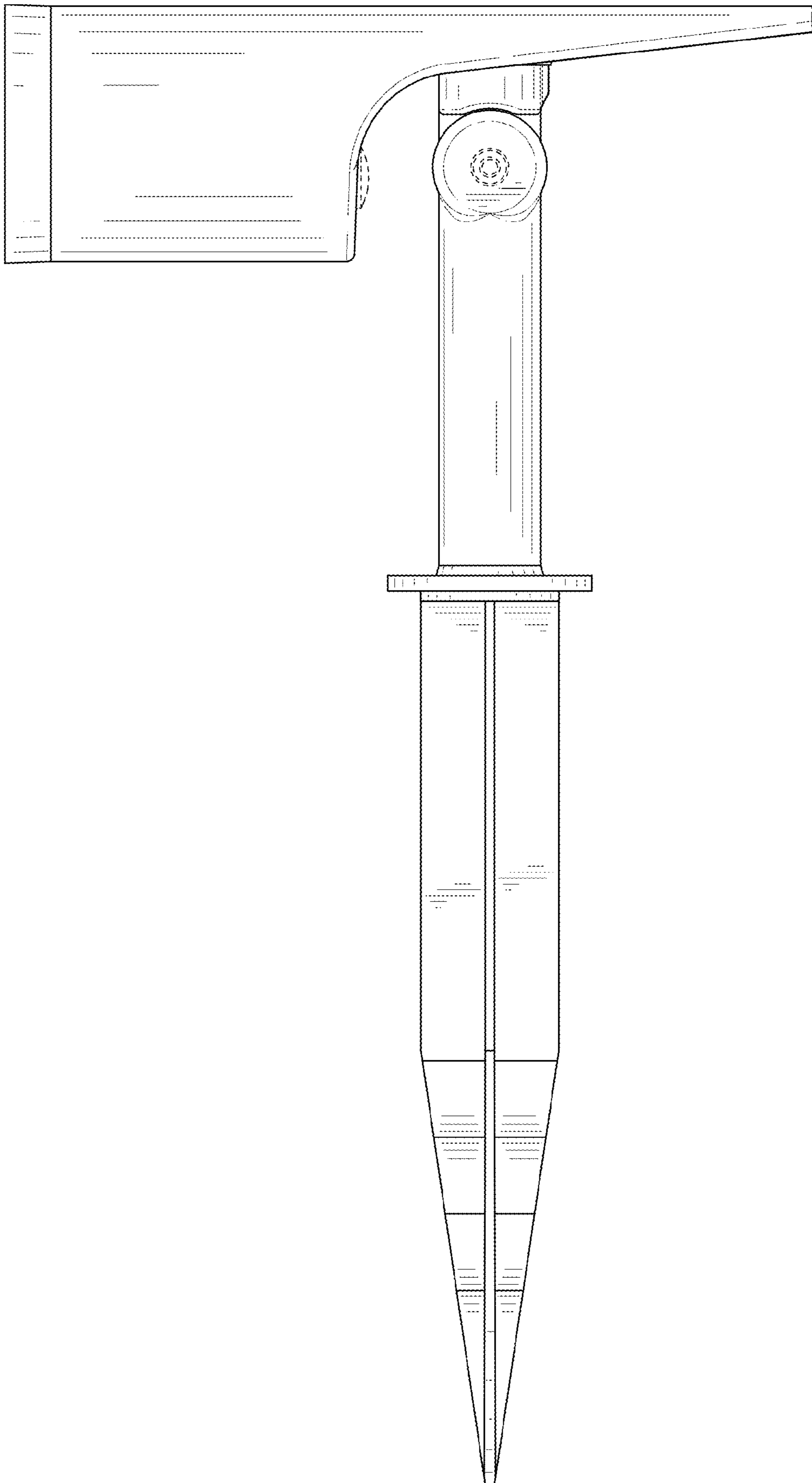


FIG. 5

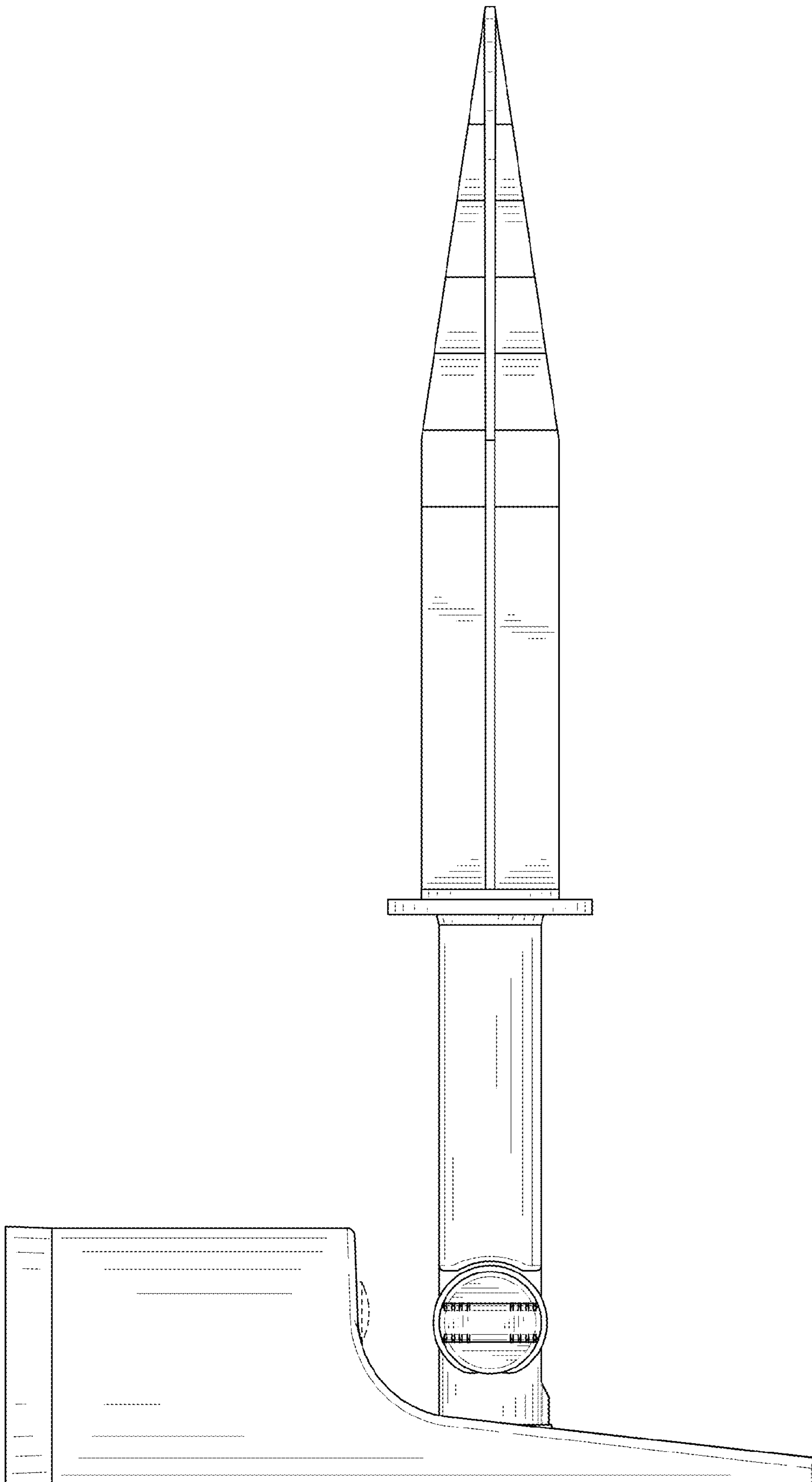


FIG. 6

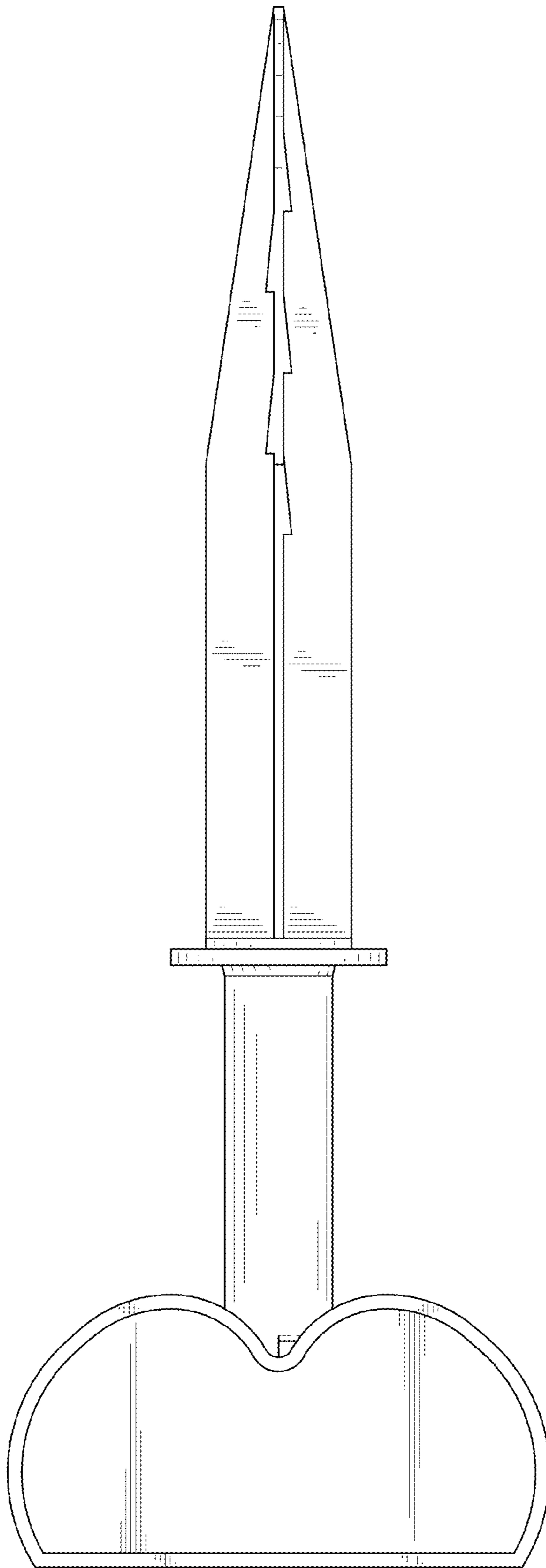


FIG. 7



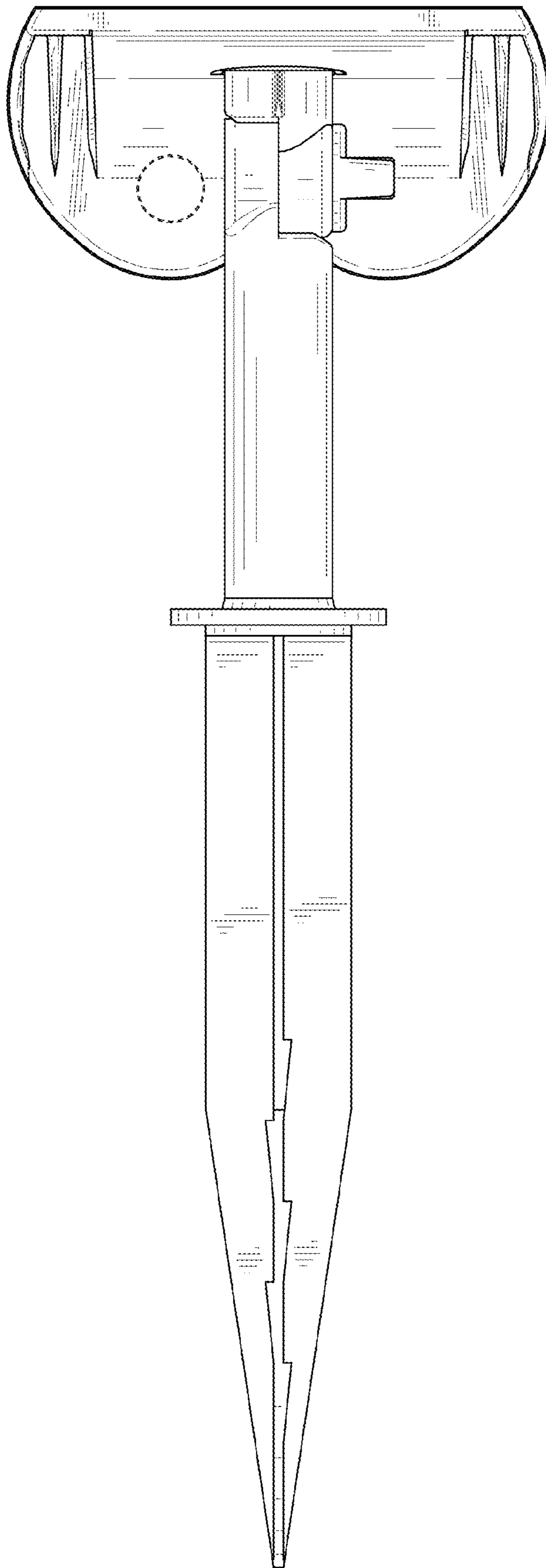


FIG. 8