



US00D887058S

(12) **United States Design Patent**
Liu

(10) **Patent No.:** **US D887,058 S**
(45) **Date of Patent:** **** Jun. 9, 2020**

- (54) **SOLAR WALL LAMP**
- (71) Applicant: **SHENZHEN OEKO TECHNOLOGY CO., LTD**, Shenzhen (CN)
- (72) Inventor: **Zhiyong Liu**, Shenzhen (CN)
- (73) Assignee: **SHENZHEN OEKO TECHNOLOGY CO., LTD**, Shenzhen (CN)
- (**) Term: **15 Years**
- (21) Appl. No.: **29/718,244**
- (22) Filed: **Dec. 23, 2019**
- (51) **LOC (12) Cl.** **26-05**
- (52) **U.S. Cl.**
USPC **D26/63**
- (58) **Field of Classification Search**
USPC D26/63, 72, 85, 87, 92
CPC F21S 8/03; F21S 8/033; F21S 8/036; F21S 9/037; F21V 21/26
See application file for complete search history.

D856,564 S *	8/2019	Liu	D26/63
D866,836 S *	11/2019	Ji	D26/63
D875,289 S *	2/2020	Hu	D26/63
D880,035 S *	3/2020	Gordin	D26/63
2009/0040774 A1*	2/2009	Avila	F21V 21/28 362/371
2018/0283657 A1*	10/2018	Xiong	F21V 21/0824

OTHER PUBLICATIONS

JESLED Solar LED Landscape Lights sold at amazon.com as early as Oct. 30, 2019. (Year: 2019).*

LITOM 12 LED Solar Spotlight available at amazon.com Nov. 18, 2018. (Year: 2018).*

WAYKME 32 LED Solar Spotlight sold at amazon.com as early as Feb. 19, 2020. (Year: 2020).*

SUNIX Motion Sensor Solar Light sold at amazon.com as early as Aug. 31, 2017. (Year: 2017).*

* cited by examiner

Primary Examiner — Clare E Heflin

(57) **CLAIM**

The ornamental design for a solar wall lamp, as shown and described.

DESCRIPTION

FIG. 1 is a front, top and right side perspective view of a solar wall lamp showing my new design;

FIG. 2 is a rear, bottom and left side perspective view thereof;

FIG. 3 is a top plan view thereof;

FIG. 4 is a bottom plan view thereof;

FIG. 5 is a left side view thereof;

FIG. 6 is a right side view thereof;

FIG. 7 is a front elevational view thereof; and,

FIG. 8 is a rear elevational view thereof.

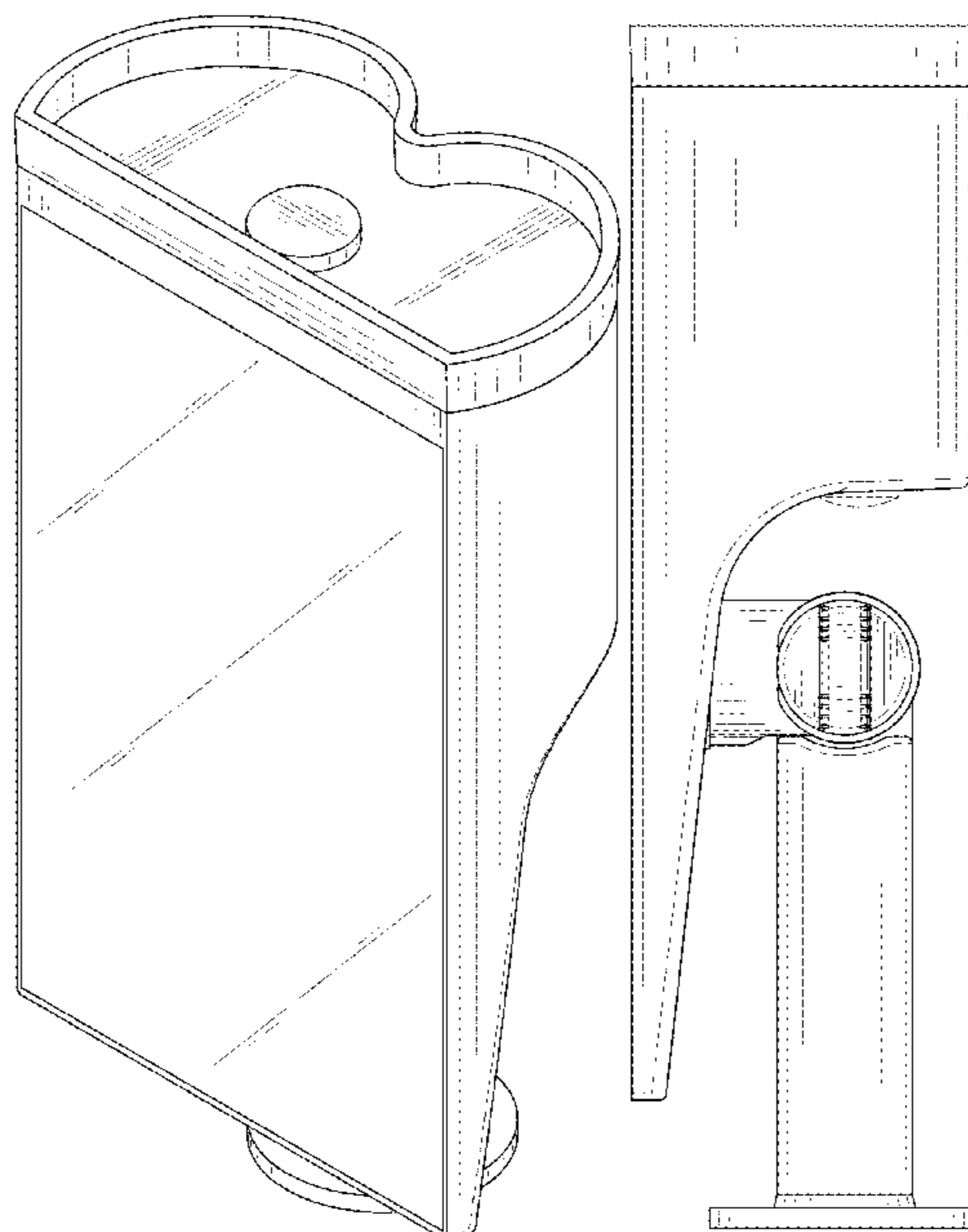
The broken lines in the drawings illustrate portions of the solar wall lamp which form no part of the claimed design.

1 Claim, 8 Drawing Sheets

(56) **References Cited**

U.S. PATENT DOCUMENTS

D47,816 S *	9/1915	Green	D26/24
D164,065 S *	7/1951	Rutledge	D26/71
3,837,607 A *	9/1974	Hesse	F21S 8/033 248/278.1
D311,722 S *	10/1990	Cheng	D13/102
D329,505 S *	9/1992	Miller	D26/63
D528,242 S *	9/2006	Wood	D26/67
D619,290 S *	7/2010	You	D26/63
D803,456 S	11/2017	Yang et al.	
D831,259 S	10/2018	Chen et al.	
D838,026 S *	1/2019	Jiang	D26/67
D848,658 S	5/2019	Tan	
D852,398 S *	6/2019	Liu	D26/63
10,330,296 B1 *	6/2019	Lin	F21V 31/005



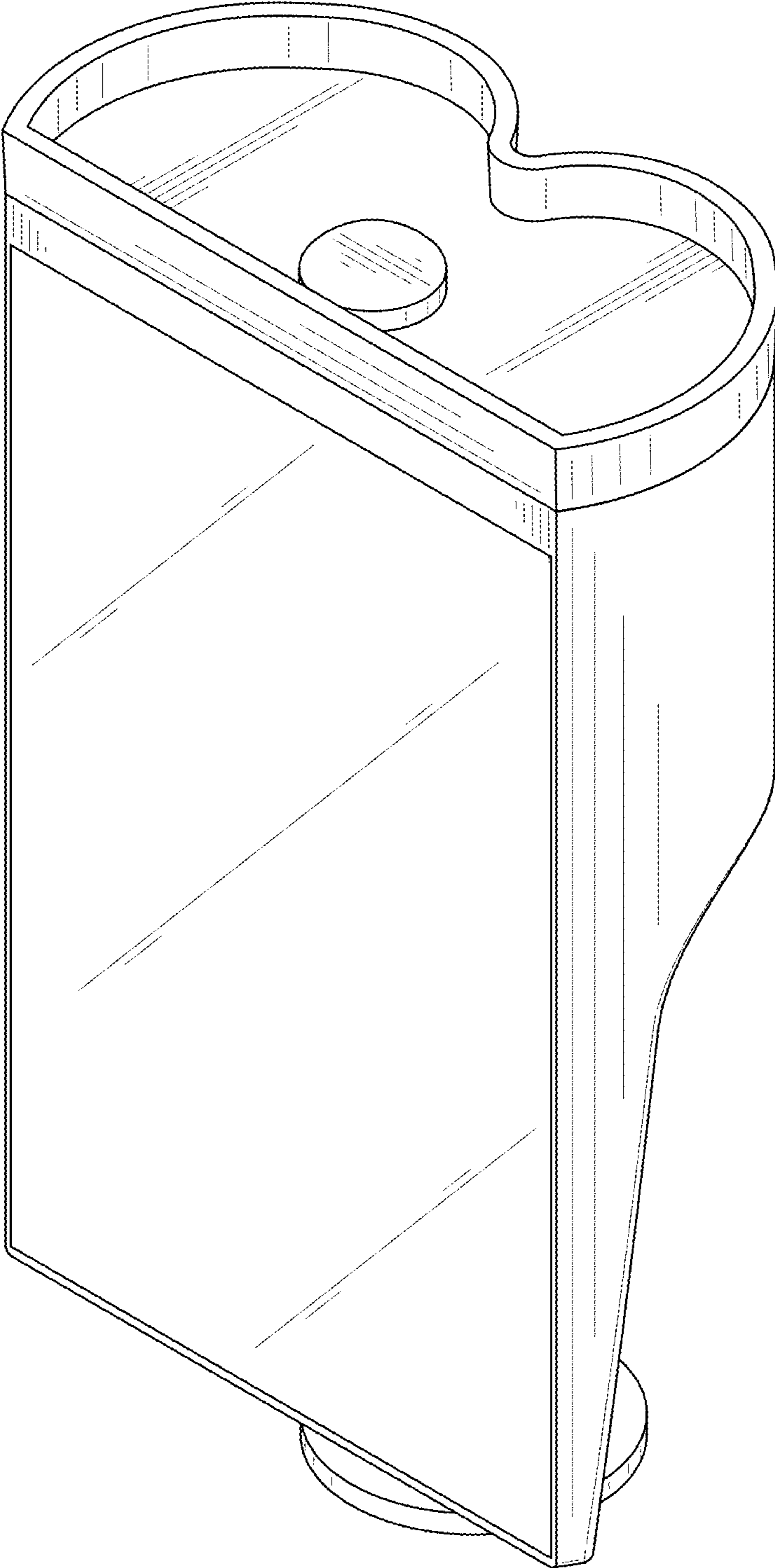


FIG. 1

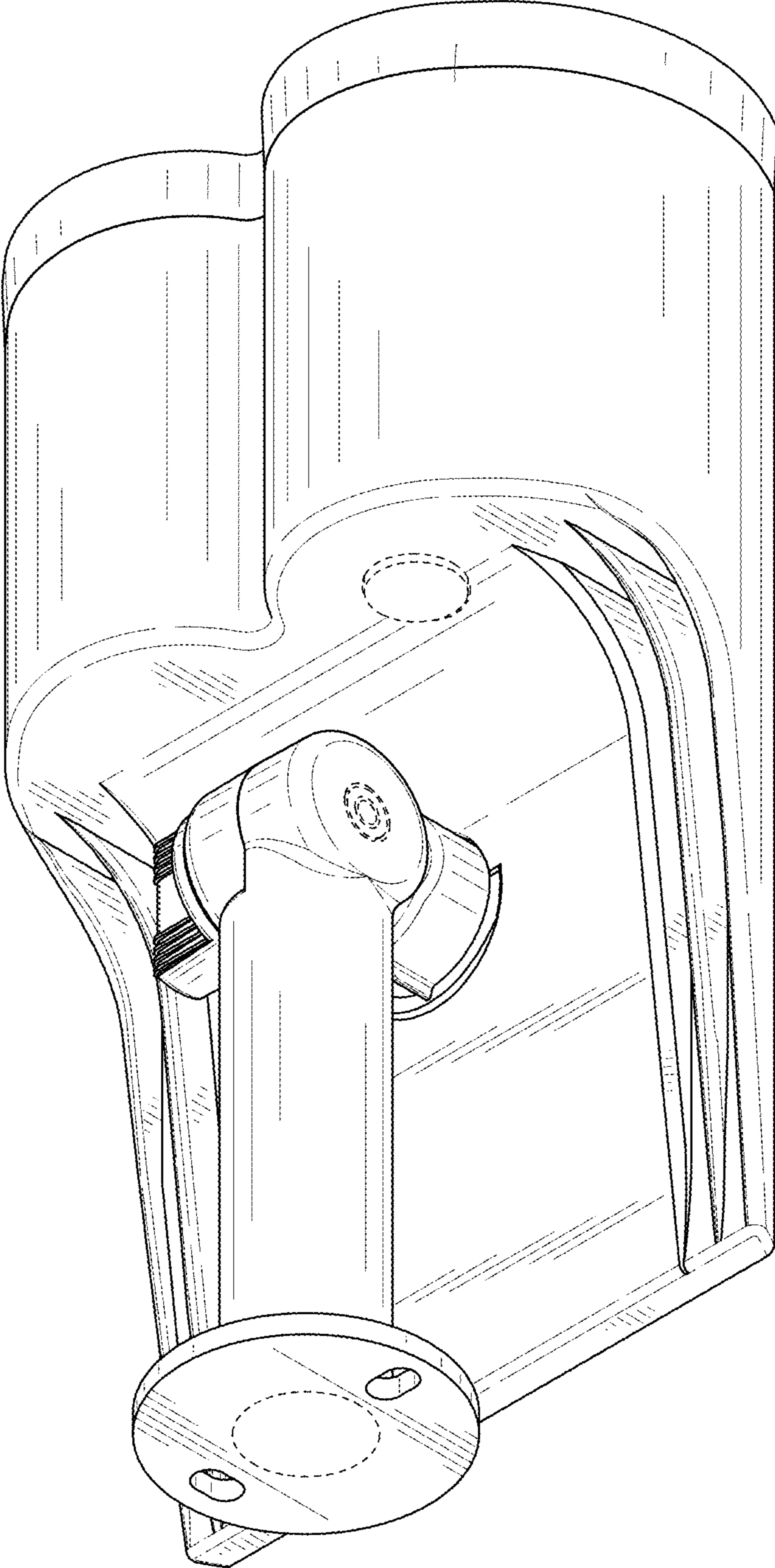


FIG. 2

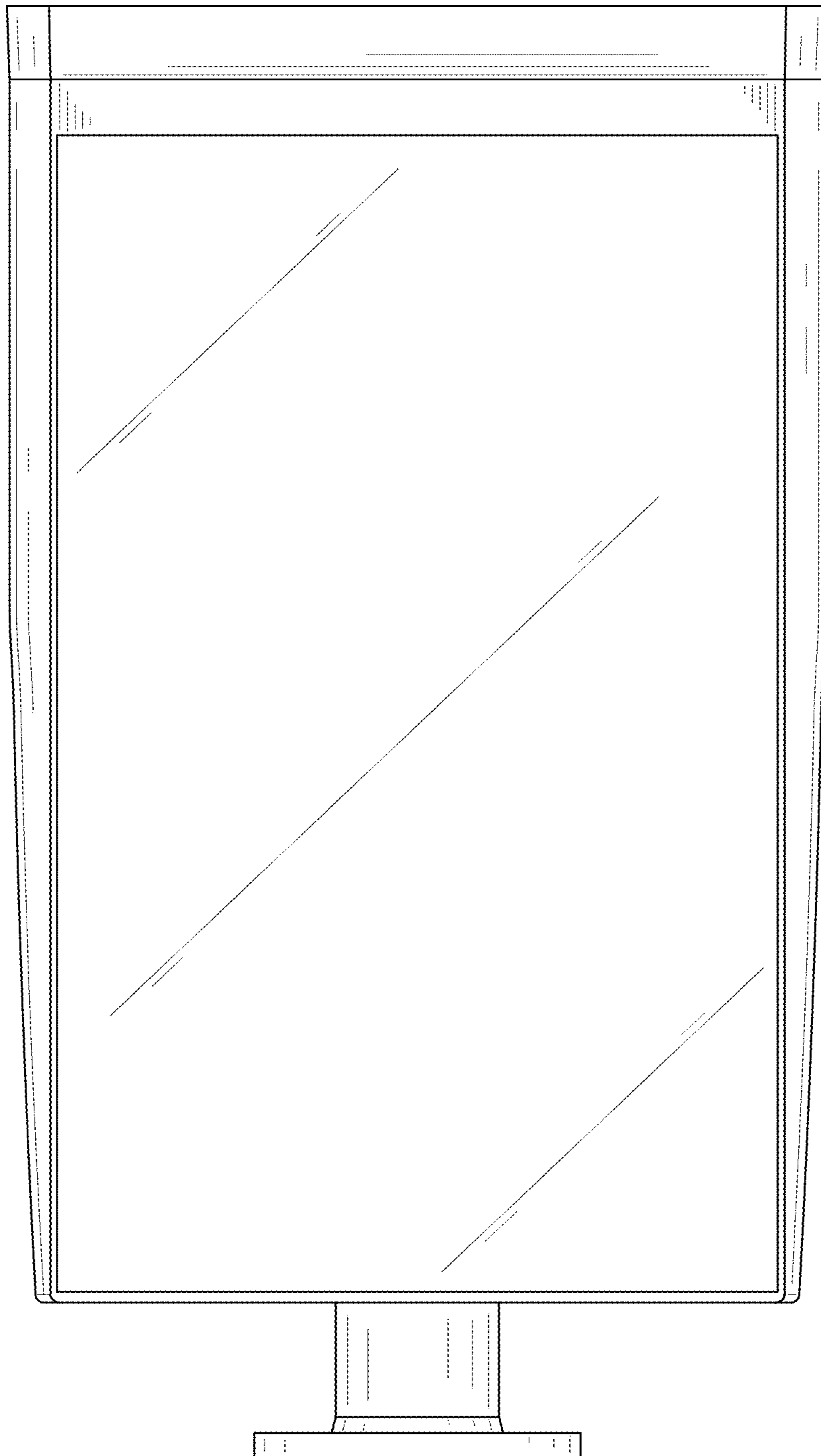


FIG. 3

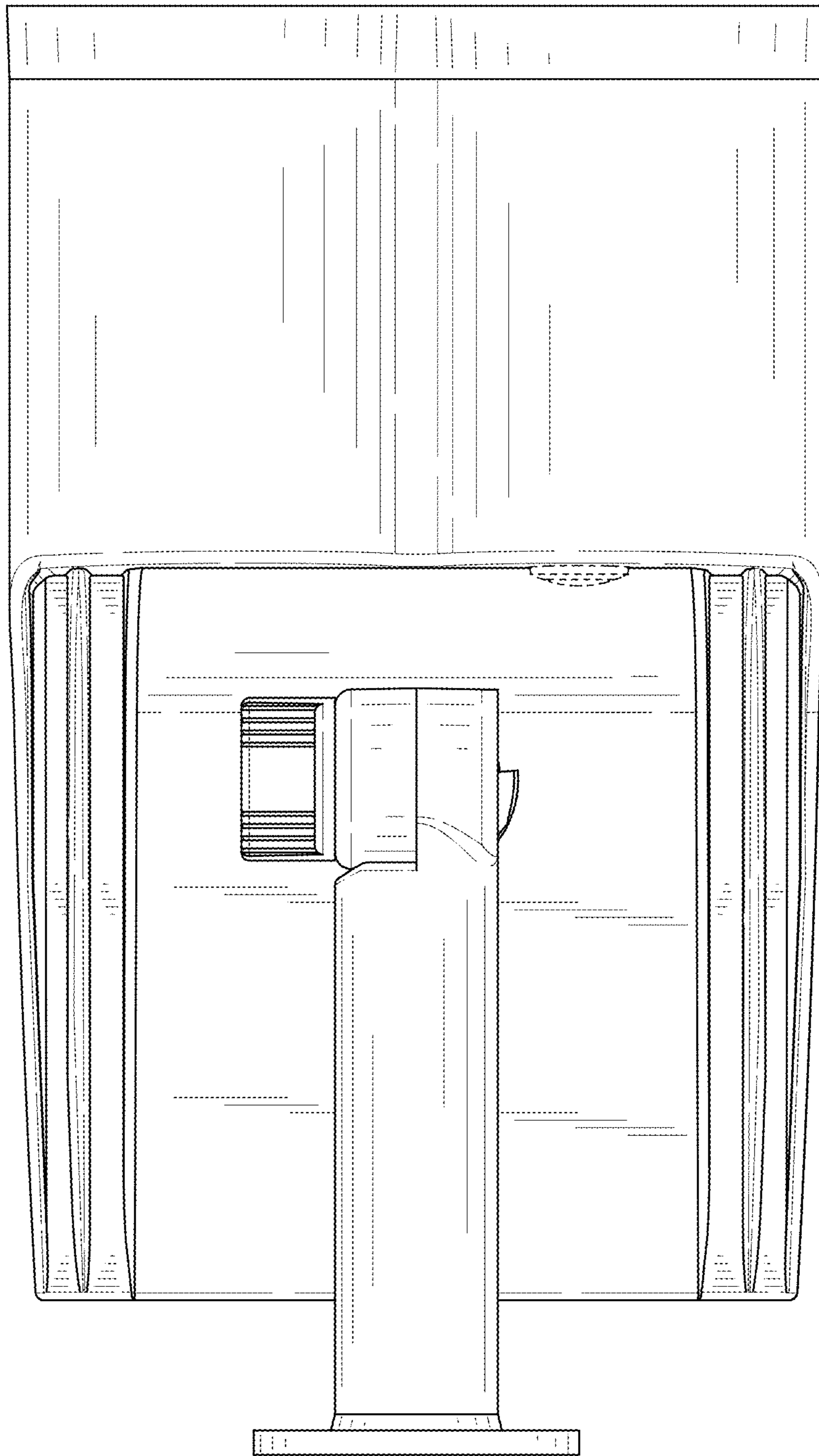


FIG. 4

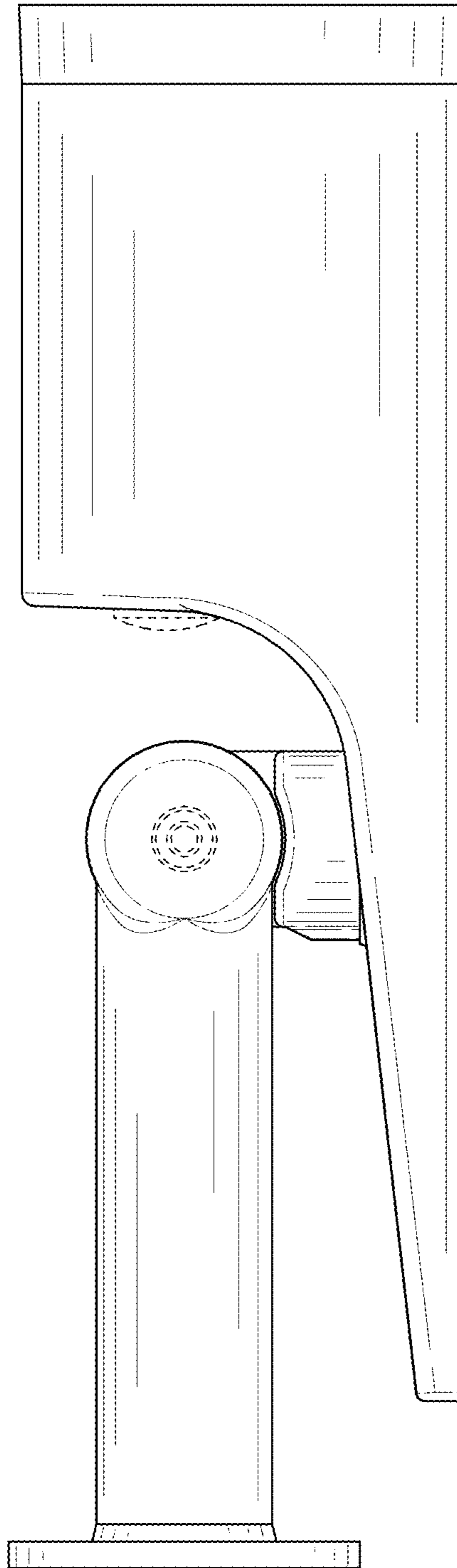


FIG. 5

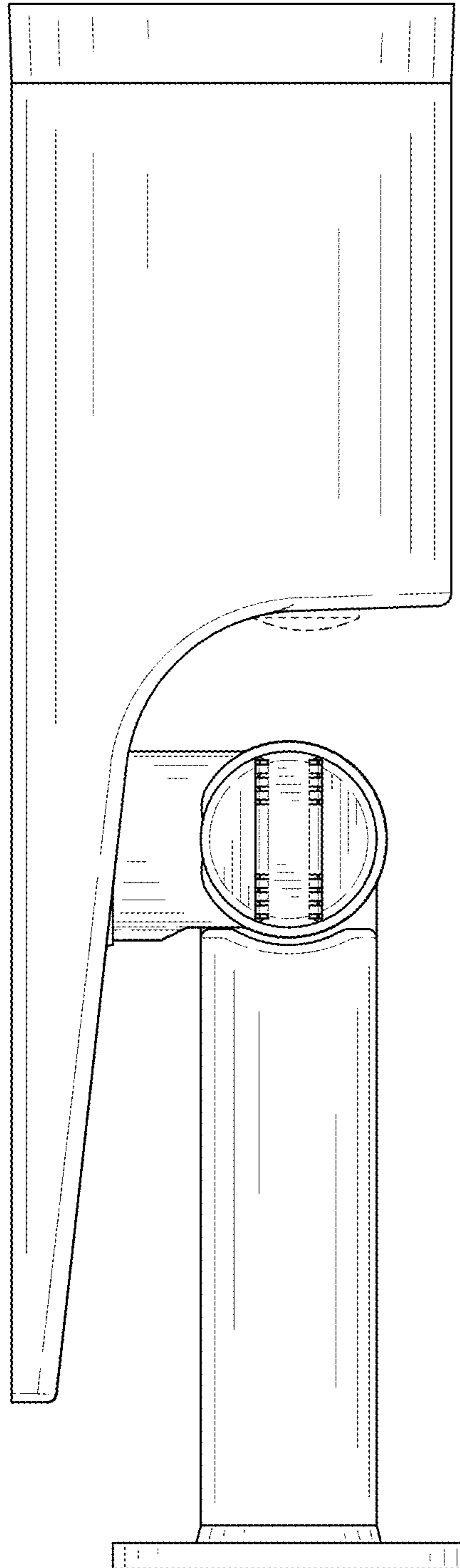


FIG. 6

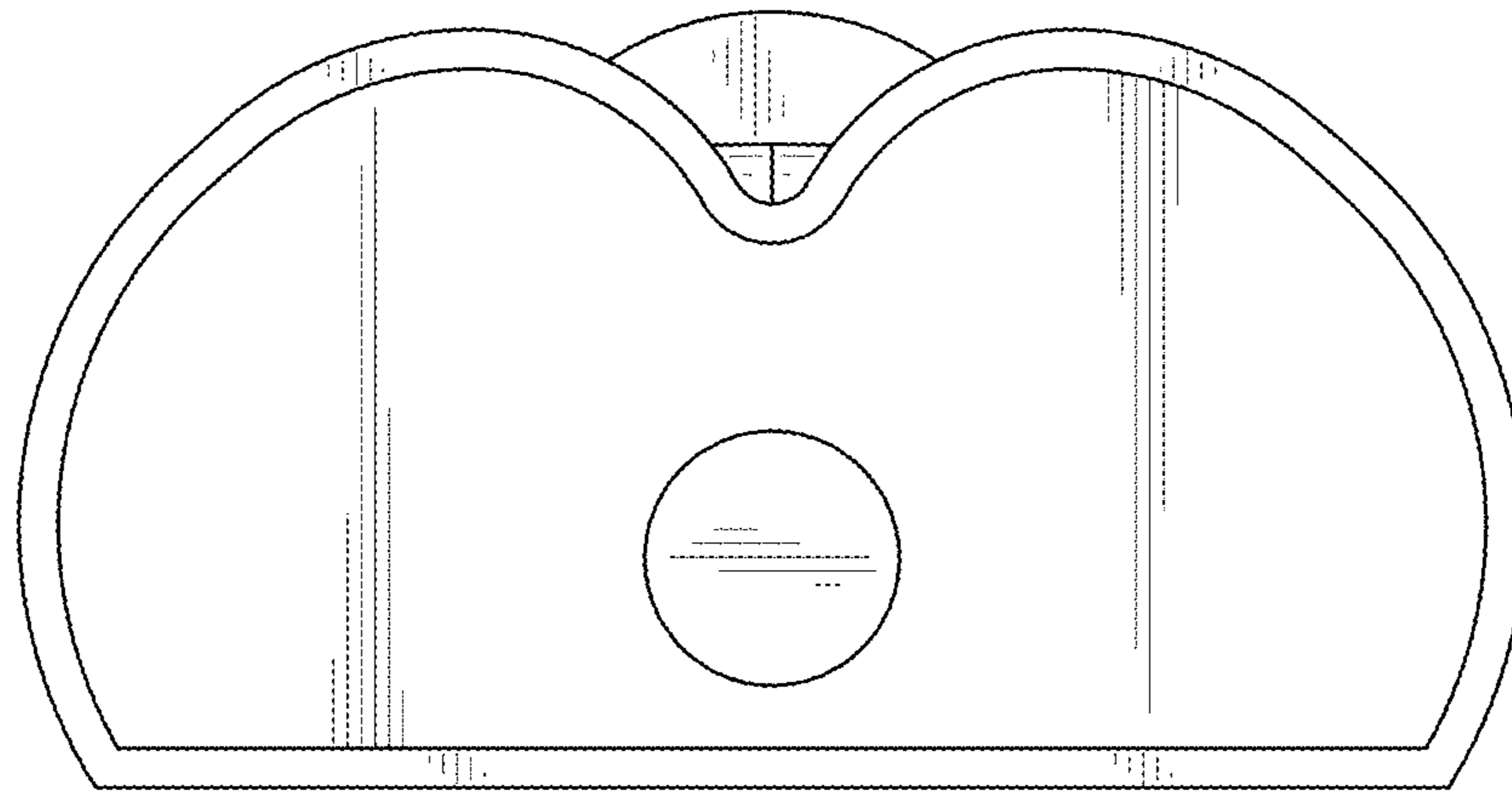


FIG. 7

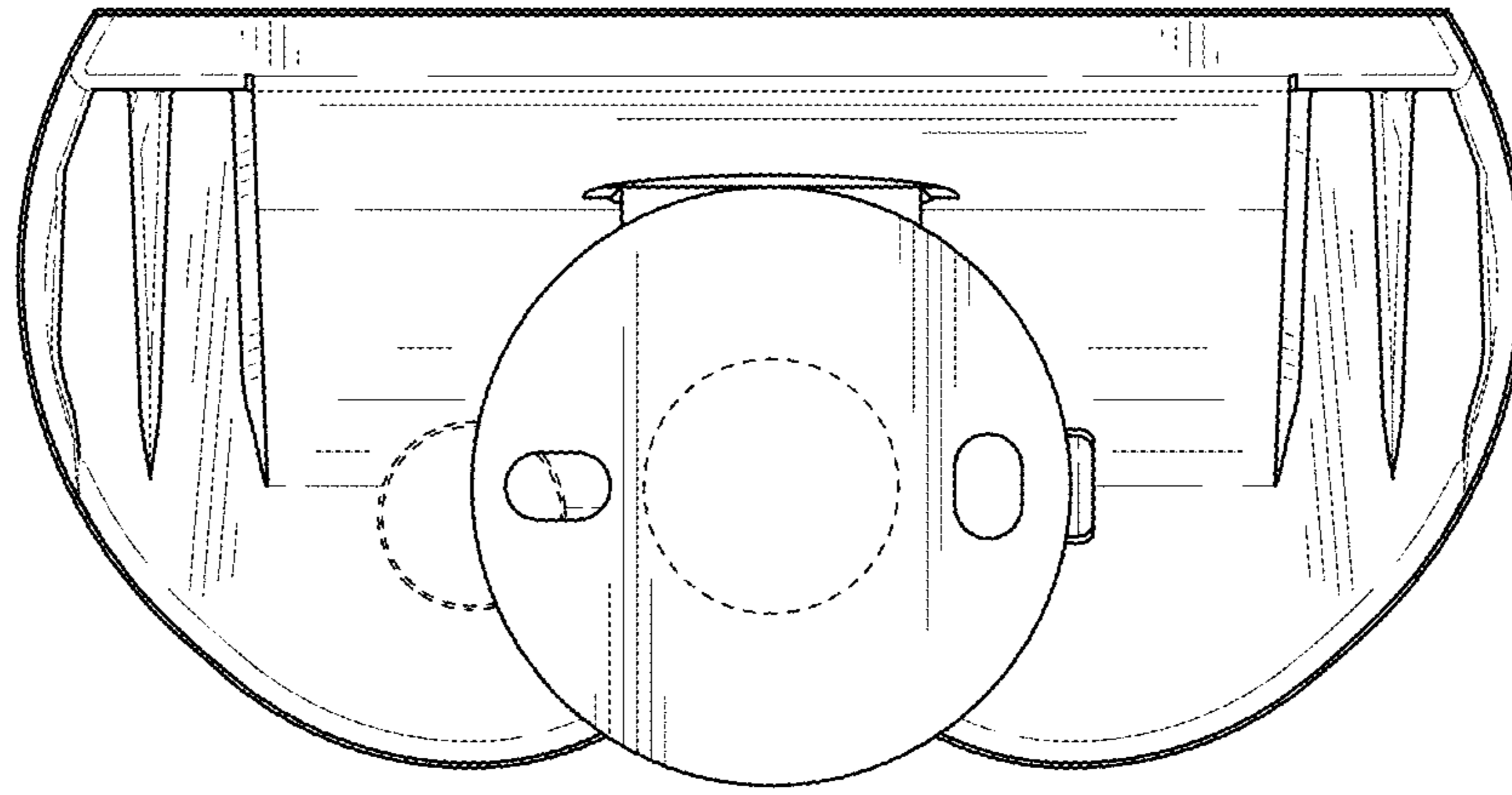


FIG. 8