



US00D887057S

(12) **United States Design Patent** (10) **Patent No.:** **US D887,057 S**
Healey (45) **Date of Patent:** **** Jun. 9, 2020**

(54) **SPOTLIGHT**

(74) *Attorney, Agent, or Firm* — Sheridan Ross PC

(71) Applicant: **JOHN CULLEN LIGHTING LIMITED**, London (GB)

(57) **CLAIM**

The ornamental design for a spotlight, as shown and described.

(72) Inventor: **Matthew Healey**, Surrey (GB)

(73) Assignee: **John Cullen Lighting Limited**, London (GB)

DESCRIPTION

(**) Term: **15 Years**

(21) Appl. No.: **29/666,113**

(22) Filed: **Oct. 10, 2018**

(30) **Foreign Application Priority Data**

Apr. 10, 2018 (EM) 5228483-0001

Apr. 10, 2018 (EM) 5228483-0002

(Continued)

(51) **LOC (12) Cl.** **26-05**

(52) **U.S. Cl.**
USPC **D26/63**

(58) **Field of Classification Search**
USPC D26/24, 25, 35, 60, 61, 63, 65, 70, 72,
D26/81, 83, 92, 102, 113, 118, 124;
D16/239; D14/126

(Continued)

(56) **References Cited**

U.S. PATENT DOCUMENTS

D373,437 S * 9/1996 Kira D26/63

D491,684 S * 6/2004 McInnis D26/63

(Continued)

OTHER PUBLICATIONS

E.U. Design Reg. No. 5228483-0001, Apr. 10, 2017, 3 pages.

(Continued)

Primary Examiner — Wan Laymon

Assistant Examiner — Clint A Samuel

(Continued)

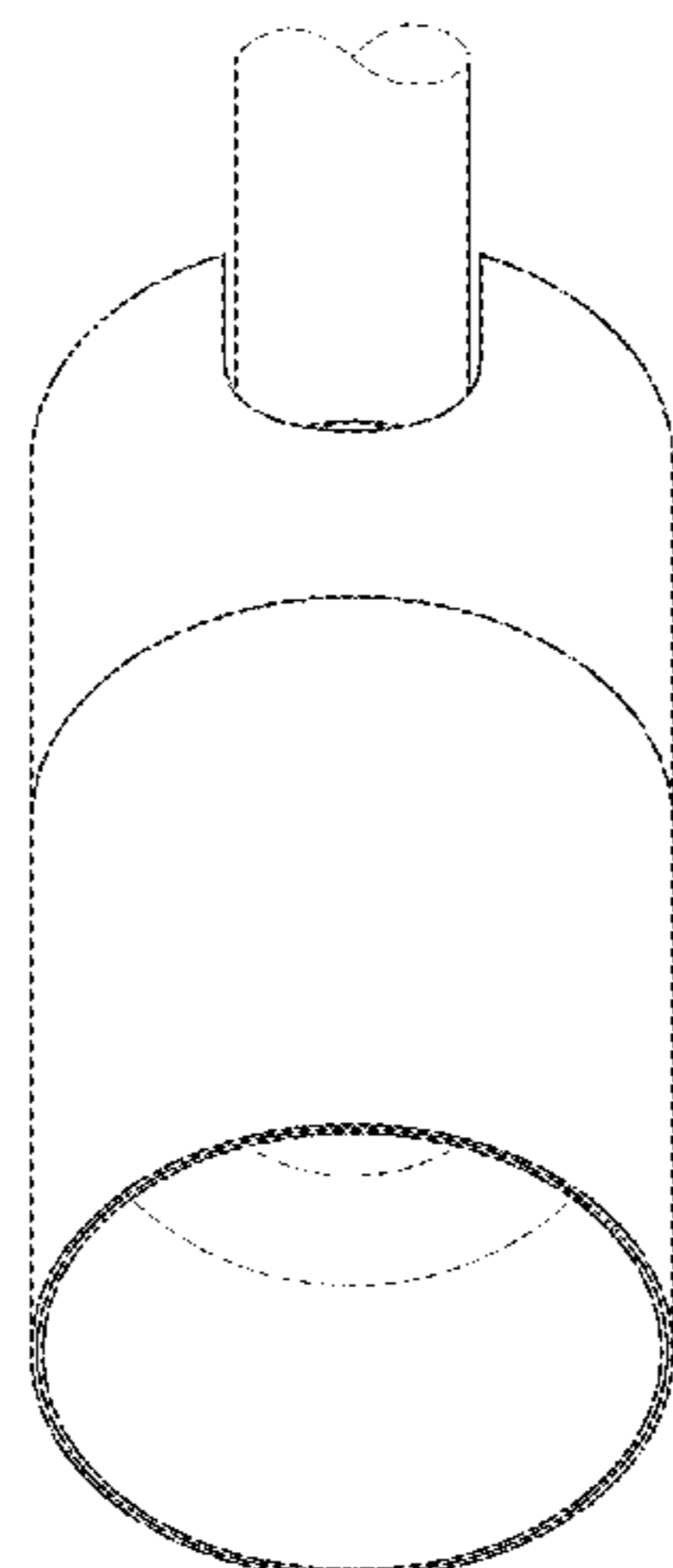


FIG. 15 is a front elevation view of a spotlight according to another embodiment;

FIG. 16 is a right side view of the spotlight according to the embodiment of FIG. 15, the left side view being the mirror image thereof;

FIG. 17 is a rear perspective view of the spotlight according to the embodiment of FIG. 15;

FIG. 18 is a rear elevation view of the spotlight according to the embodiment of FIG. 15;

FIG. 19 is a front perspective view of the spotlight according to the embodiment of FIG. 15 in a different position relative to 15;

FIG. 20 is a front perspective view of the spotlight according to the embodiment of FIG. 15 in a different position relative to FIG. 15; and,

FIG. 21 is a front perspective view of the spotlight according to the embodiment of FIG. 15 in a different position relative to FIG. 15.

The dotted lines showing portions of a spotlight are provided for the purpose of illustrating environment and form no part of the claimed design.

1 Claim, 21 Drawing Sheets

(30) **Foreign Application Priority Data**

Apr. 10, 2018 (EM) 5228483-0003
 Apr. 10, 2018 (EM) 5228483-0004
 Apr. 10, 2018 (GB) 6032952
 Apr. 10, 2018 (GB) 6032953
 Apr. 10, 2018 (GB) 6032954
 Apr. 10, 2018 (GB) 6032955

(58) **Field of Classification Search**

CPC F21V 21/02; F21V 21/06; F21V 21/14;
 F21V 21/26; F21V 21/30; F21V 5/007;
 F21V 14/00; F21V 14/02; F21V 14/04;
 F21V 14/06; F21W 2131/10; F21W
 2131/40; F21W 2131/107; F21W
 2131/109; F21W 2131/401-407; F21W

2131/1005; F21S 8/00; F21S 8/04; F21S
 8/08; F21S 8/003; F21S 8/043

See application file for complete search history.

(56)

References Cited

U.S. PATENT DOCUMENTS

D506,284	S	*	6/2005	Benghozi	D26/128
D507,668	S	*	7/2005	Kwong	D26/24
D519,662	S	*	4/2006	Mullen	D26/61
D537,972	S	*	3/2007	Mier-Langner	D26/61
D541,456	S	*	4/2007	Kosche	D26/63
D541,460	S	*	4/2007	Benghozi	D26/61
D542,956	S	*	5/2007	Benghozi	D26/61
D585,589	S	*	1/2009	Alexander	D26/118
D784,587	S	*	4/2017	Piano	D26/65
D784,588	S	*	4/2017	Piano	D26/65
D787,730	S	*	5/2017	Gines	D26/63
D788,344	S	*	5/2017	Gecchelin	D26/63
D795,479	S	*	8/2017	Goetz-Schaefer	D26/63
D799,739	S	*	10/2017	Dean	D26/128
D800,363	S	*	10/2017	Terumichi	D26/63
D812,279	S	*	3/2018	Price	D26/63
D812,280	S	*	3/2018	Lechtenberg	D26/63
D818,171	S	*	5/2018	Brynjolfsson	D26/63
D821,624	S	*	6/2018	Huyghe	D26/63
D821,625	S	*	6/2018	Couvreur	D26/63
D825,829	S	*	8/2018	Guo	D26/63
D838,398	S	*	1/2019	Joye	D26/63
D840,574	S	*	2/2019	Brynjolfsson	D26/63
D846,791	S	*	4/2019	Liang	D26/113
D848,653	S	*	5/2019	Gines	D26/63
D849,297	S	*	5/2019	Deng	D26/63
D851,313	S	*	6/2019	Zheng	D26/63
D854,719	S	*	7/2019	Zou	D26/63
D859,717	S	*	9/2019	Martinez Weber	D26/63

OTHER PUBLICATIONS

E.U. Design Reg. No. 5228483-0002, Apr. 10, 2017, 3 pages.
 E.U. Design Reg. No. 5228483-0003, Apr. 10, 2017, 3 pages.
 E.U. Design Reg. No. 5228483-0004, Apr. 10, 2017, 3 pages.
 U.K. Design Reg. No. 6032952, Apr. 10, 2018, 2 pages.
 U.K. Design Reg. No. 6032953, Apr. 10, 2018, 2 pages.
 U.K. Design Reg. No. 6032954, Apr. 10, 2018, 2 pages.
 U.K. Design Reg. No. 6032955, Apr. 10, 2018, 2 pages.

* cited by examiner

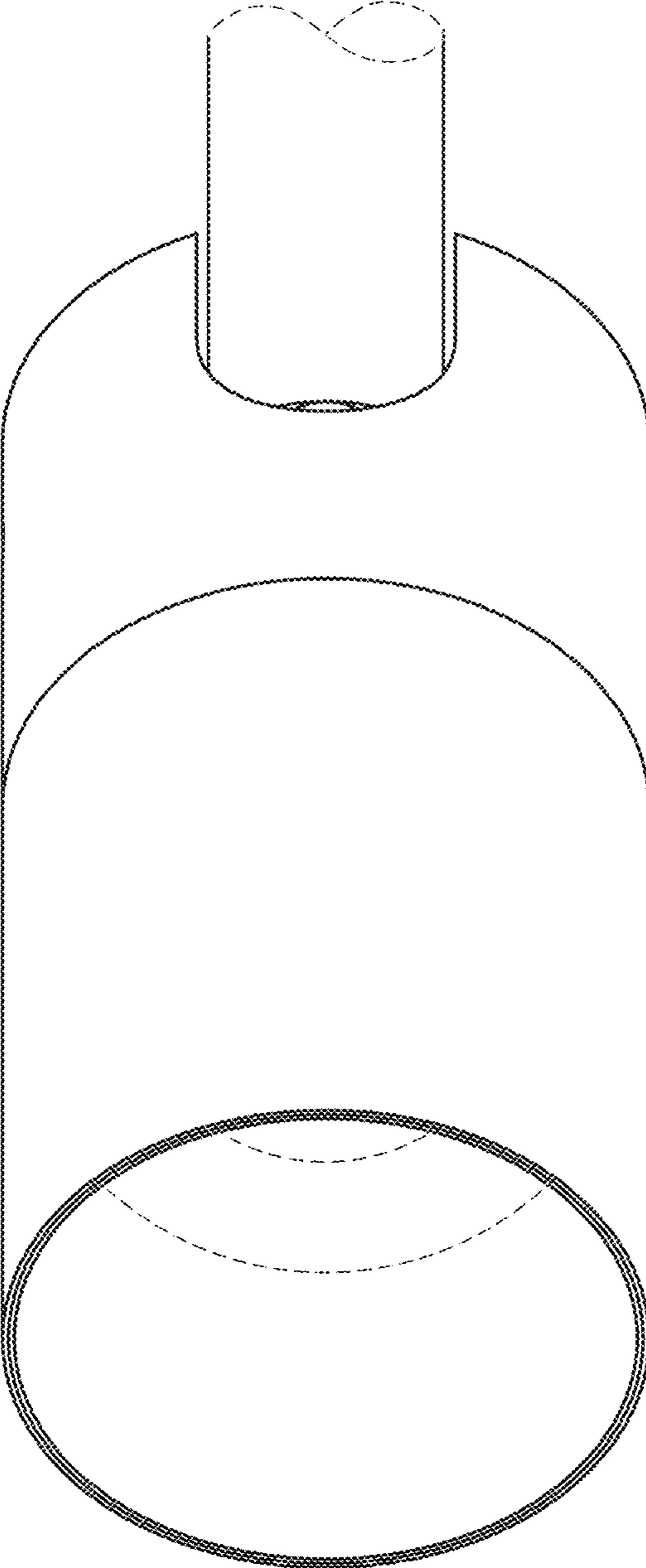


FIG. 1

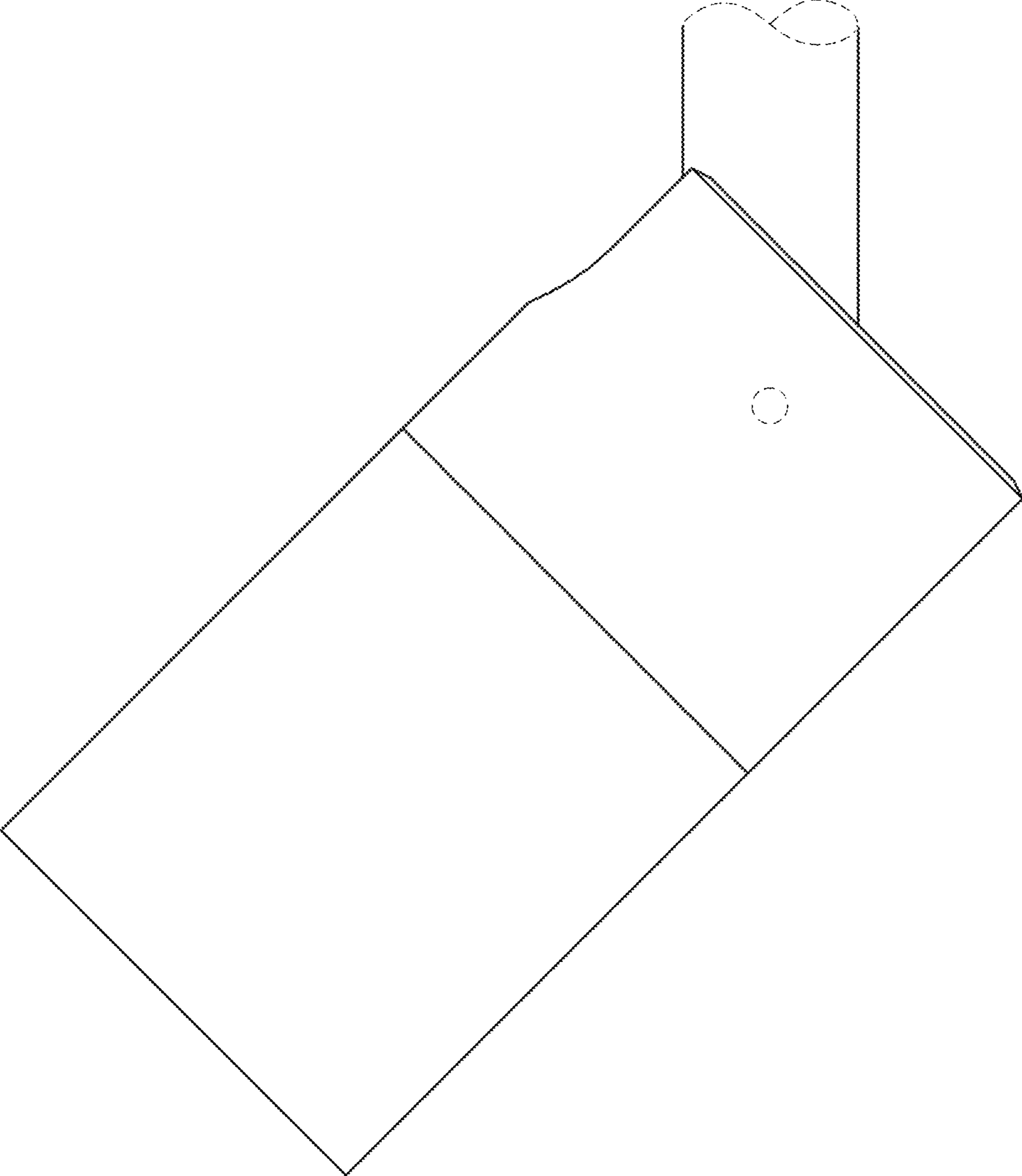


FIG.2

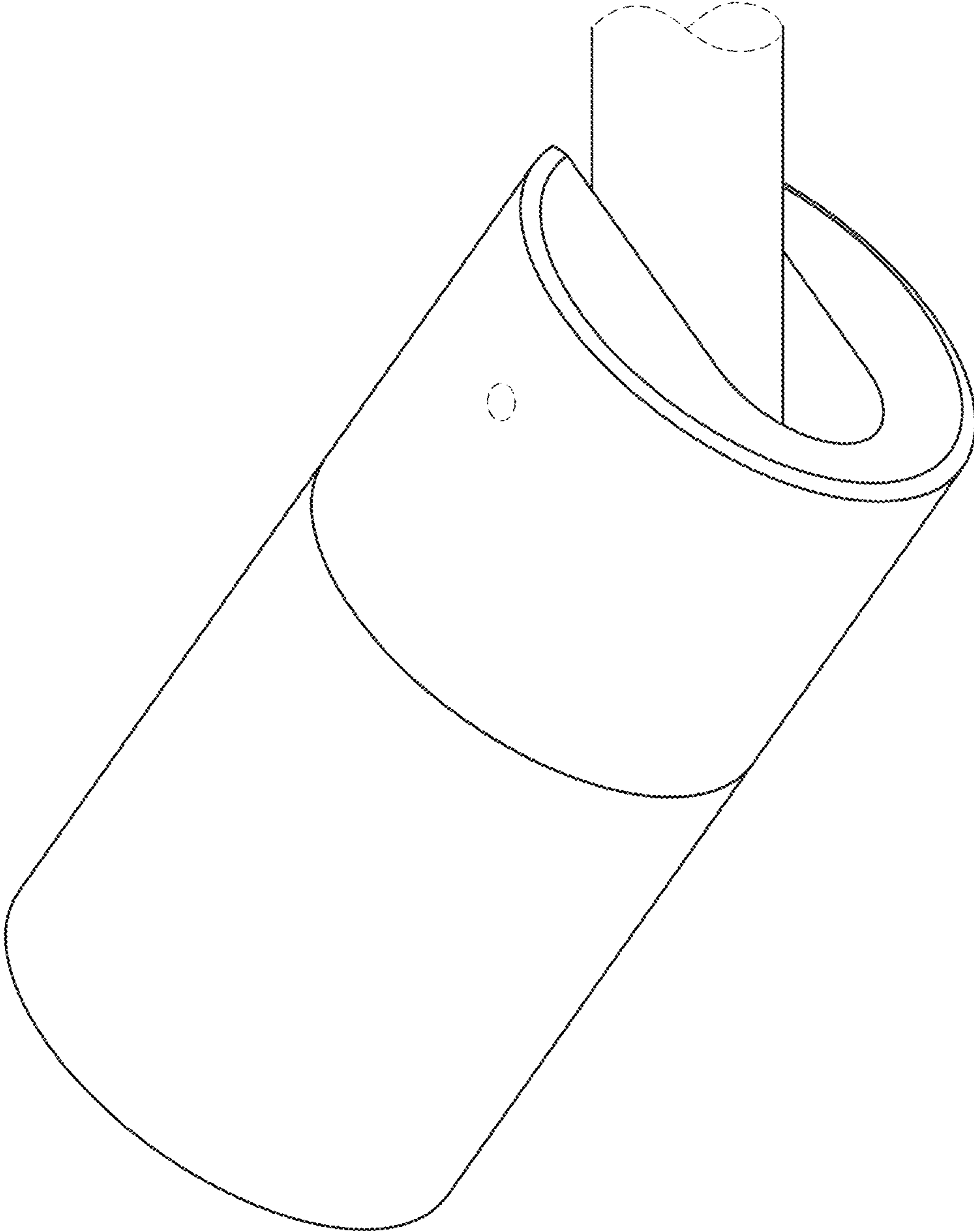


FIG.3

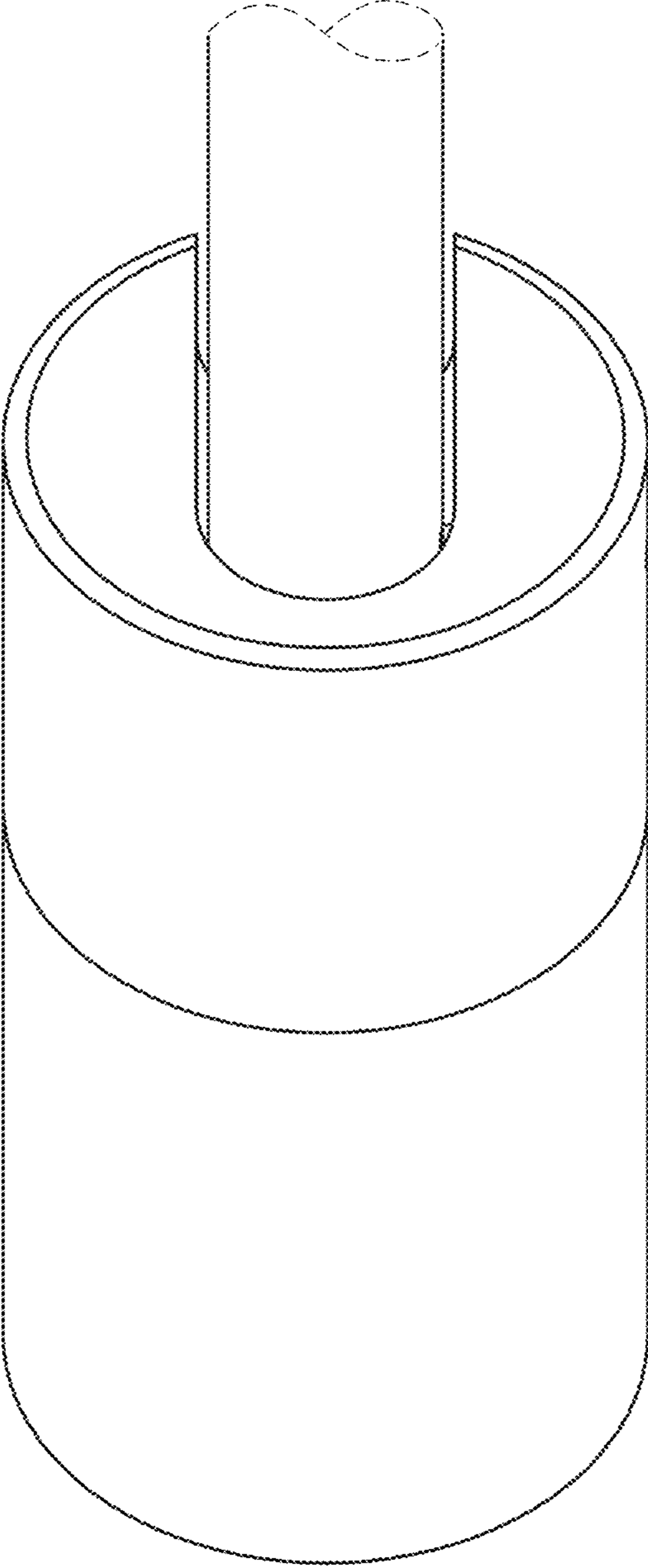


FIG.4

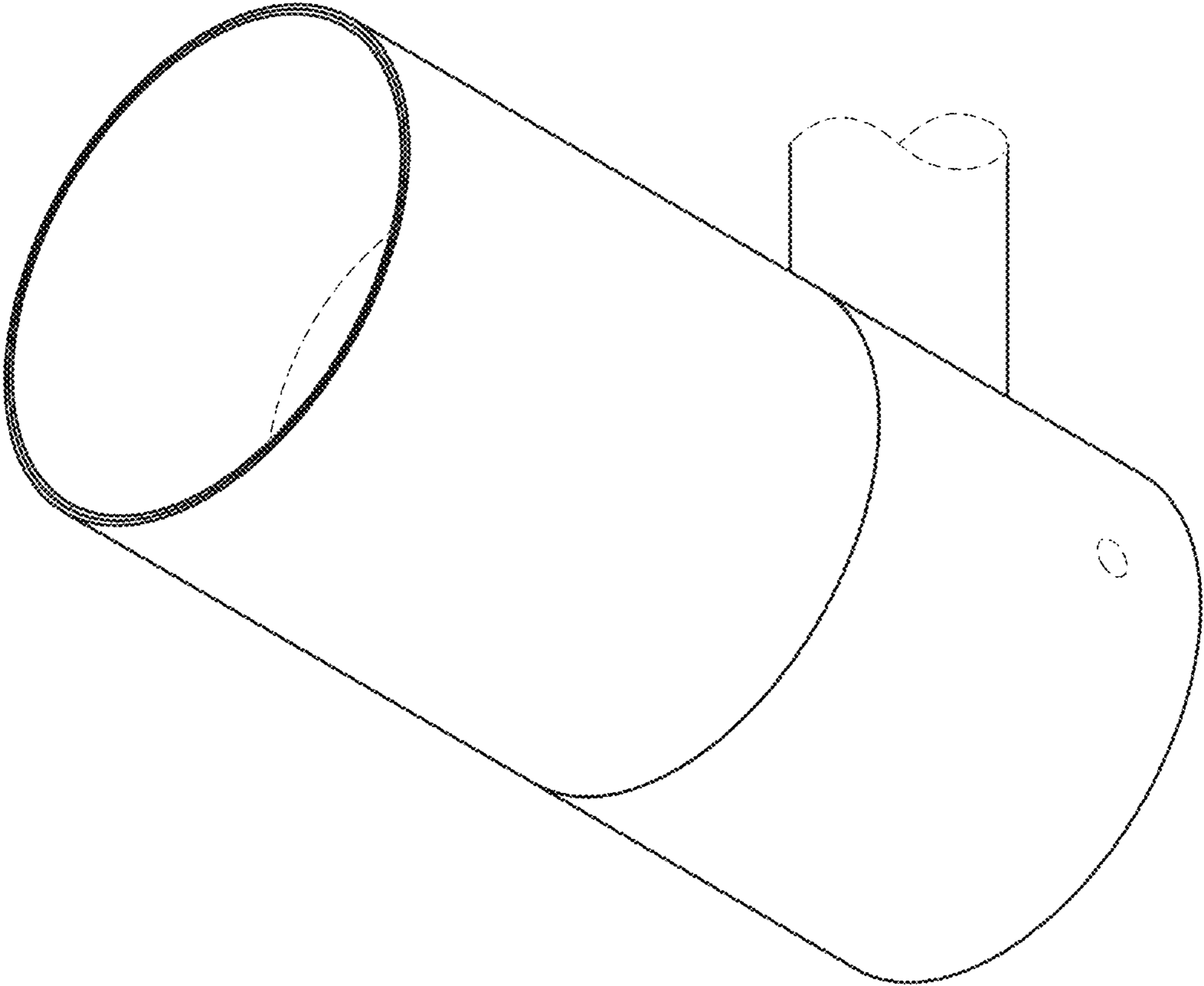


FIG.5

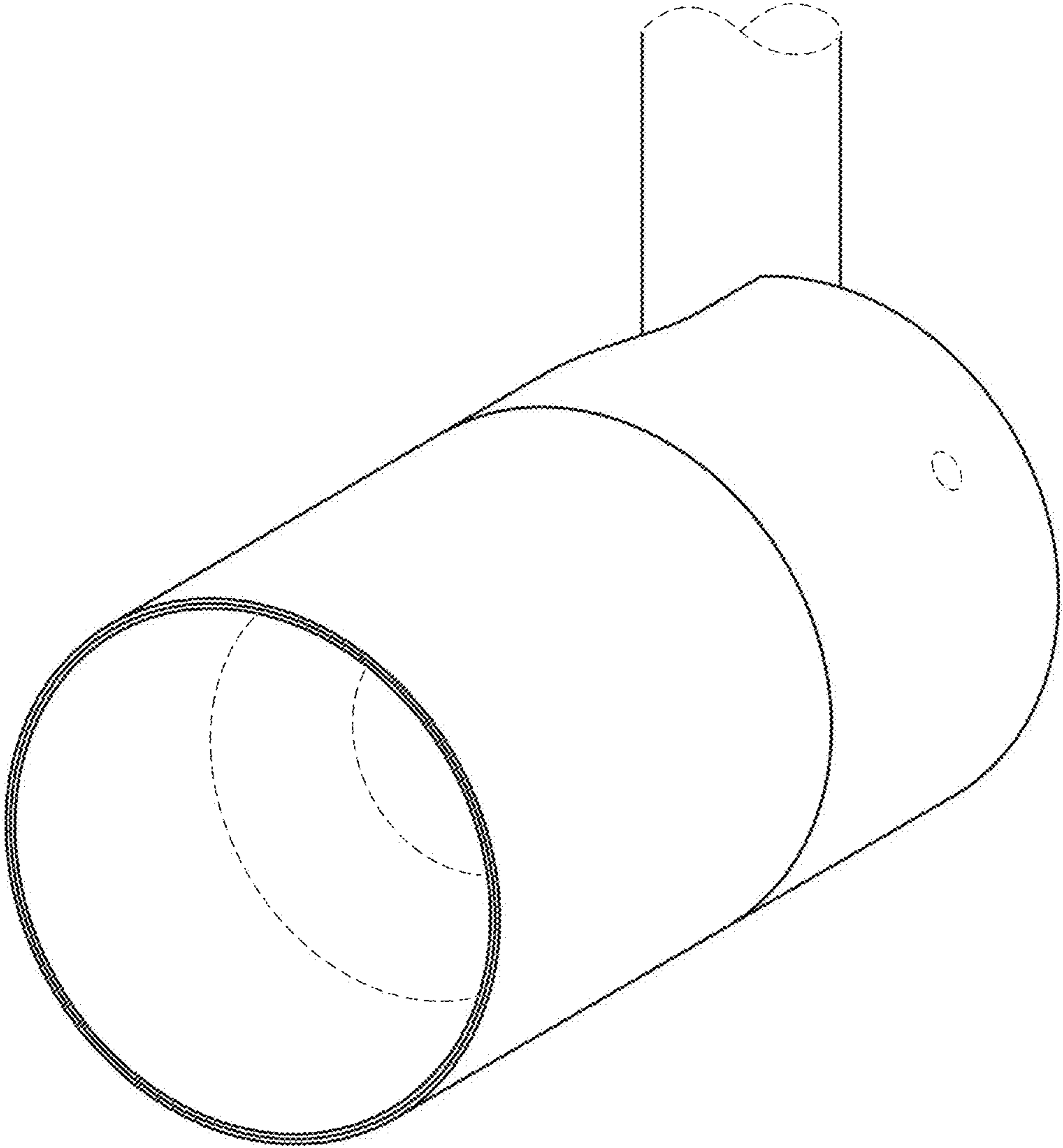


FIG. 6

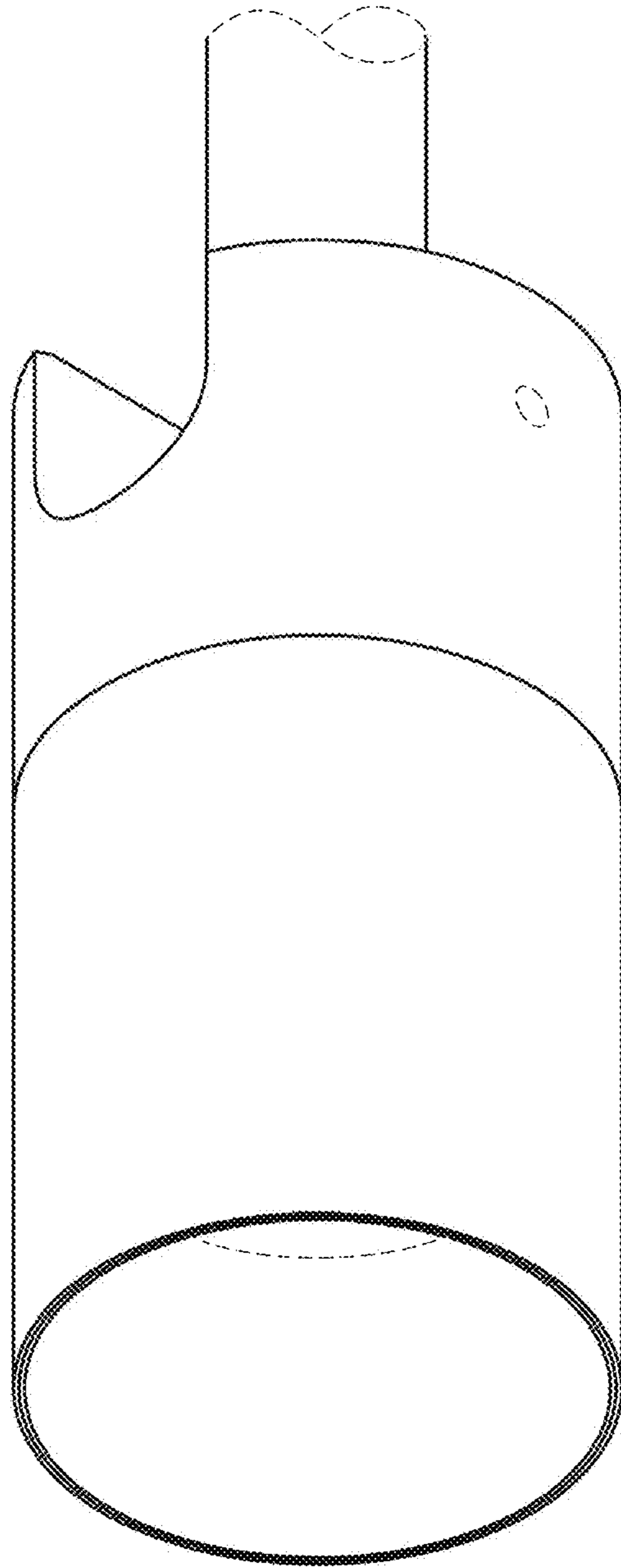


FIG.7

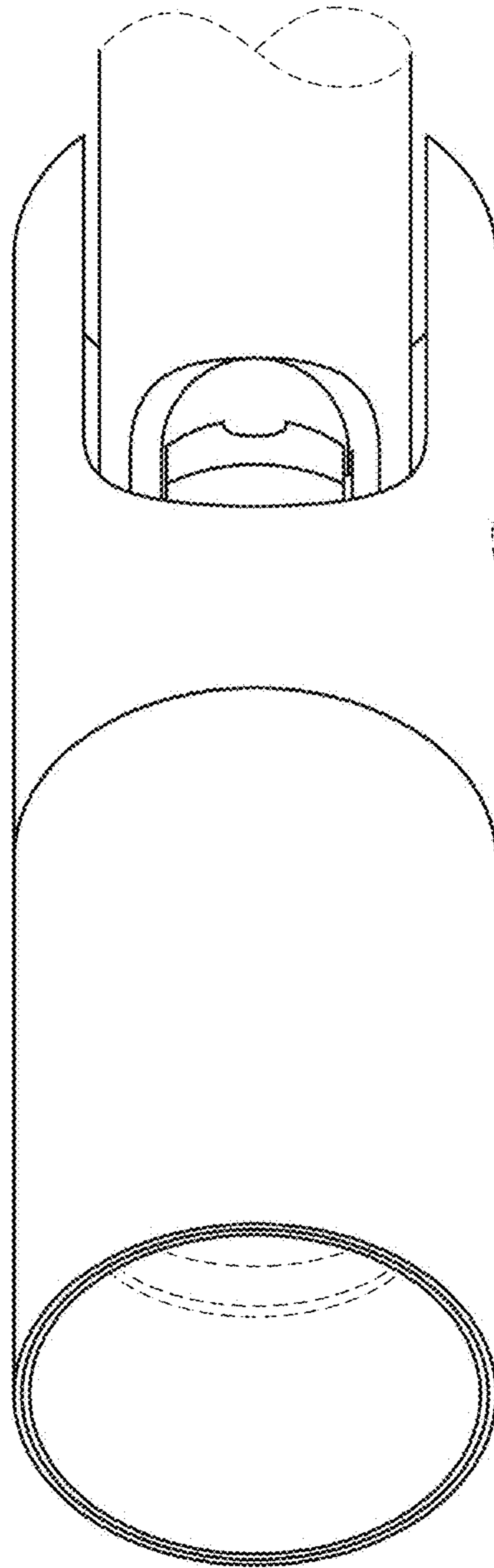


FIG.8

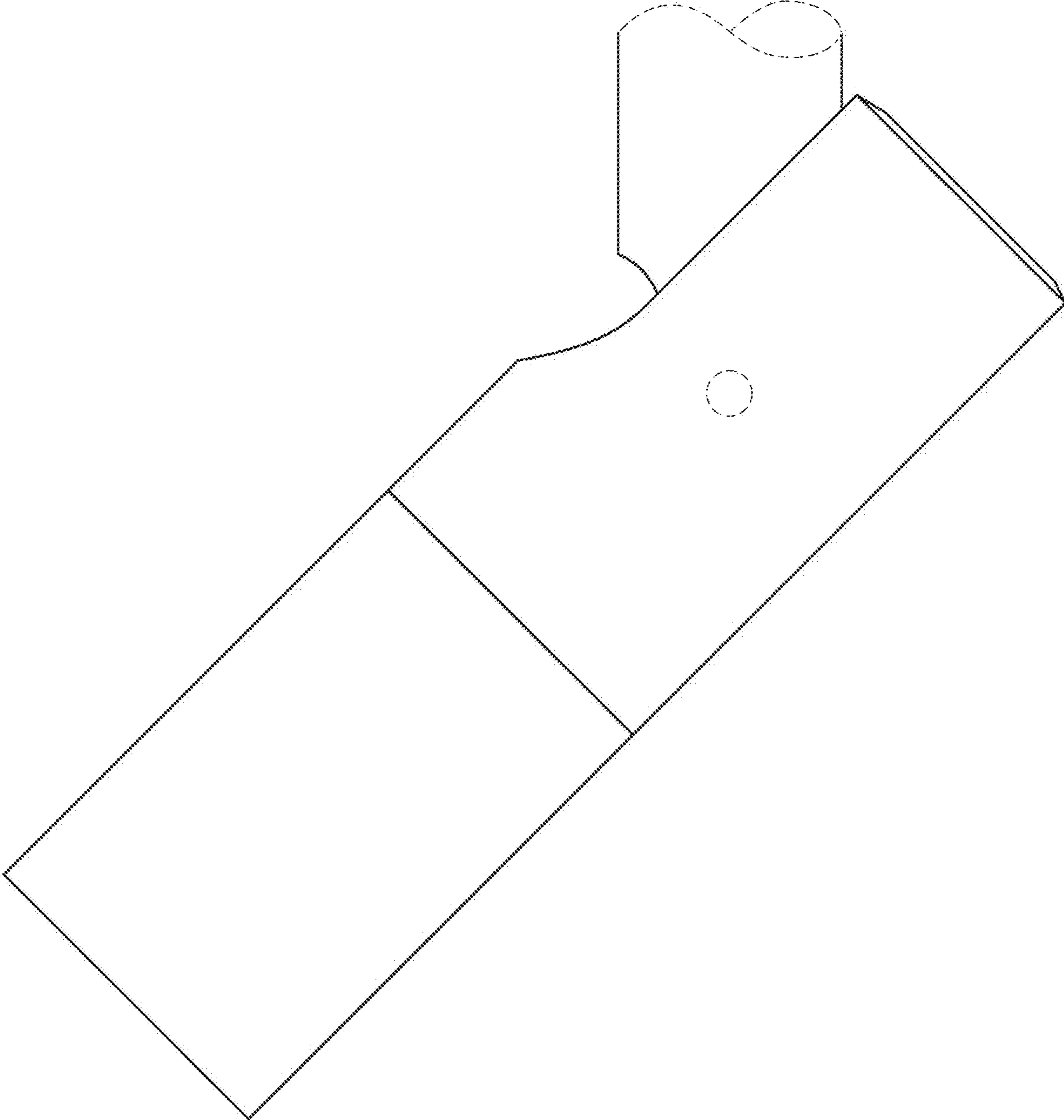


FIG.9

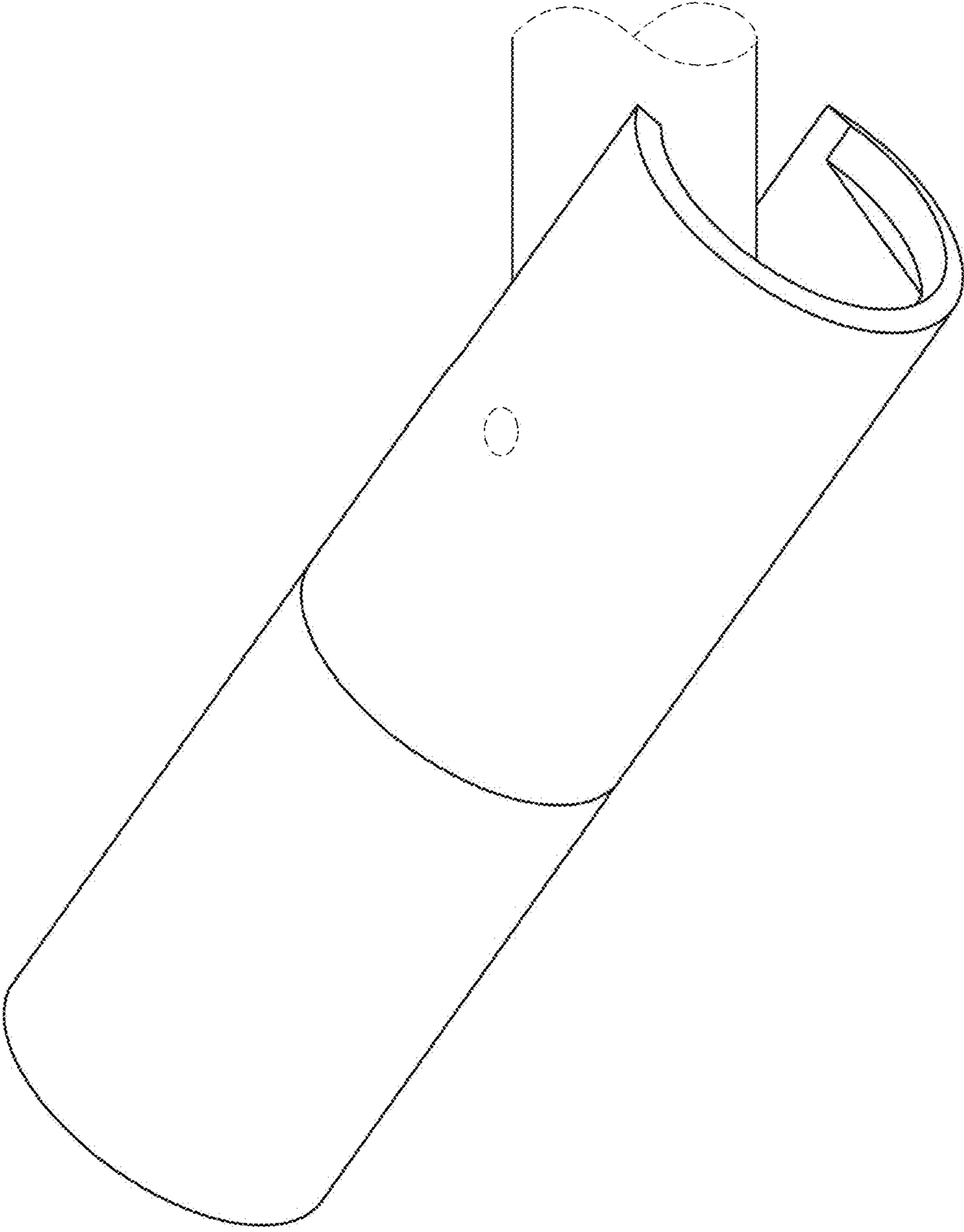


FIG.10

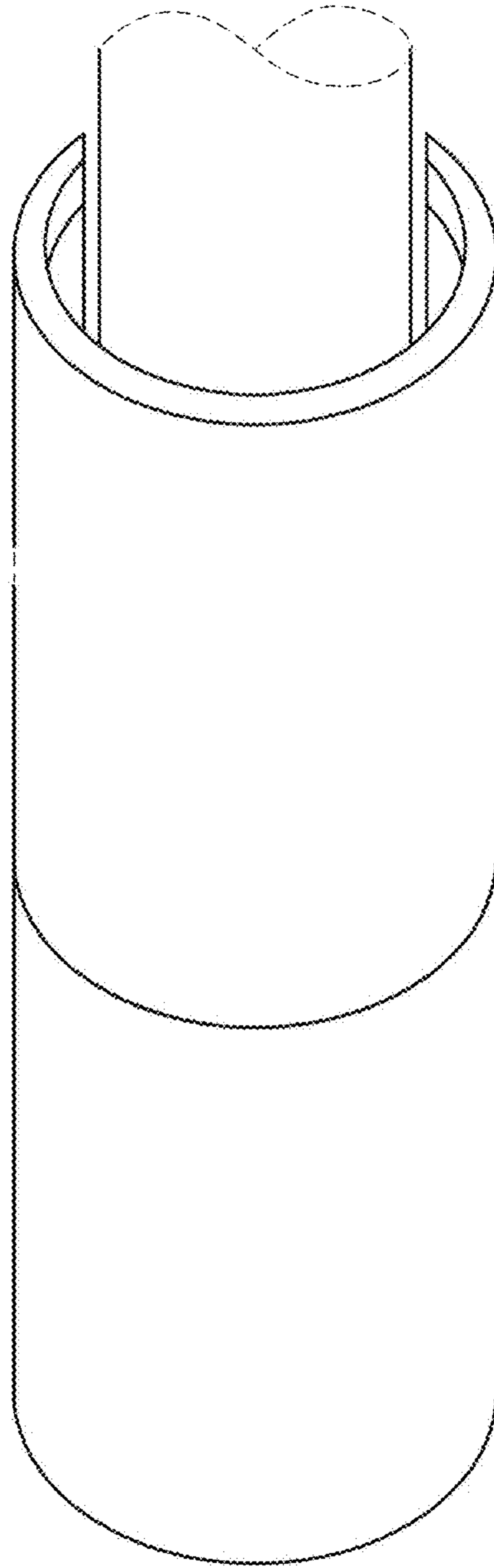


FIG.11

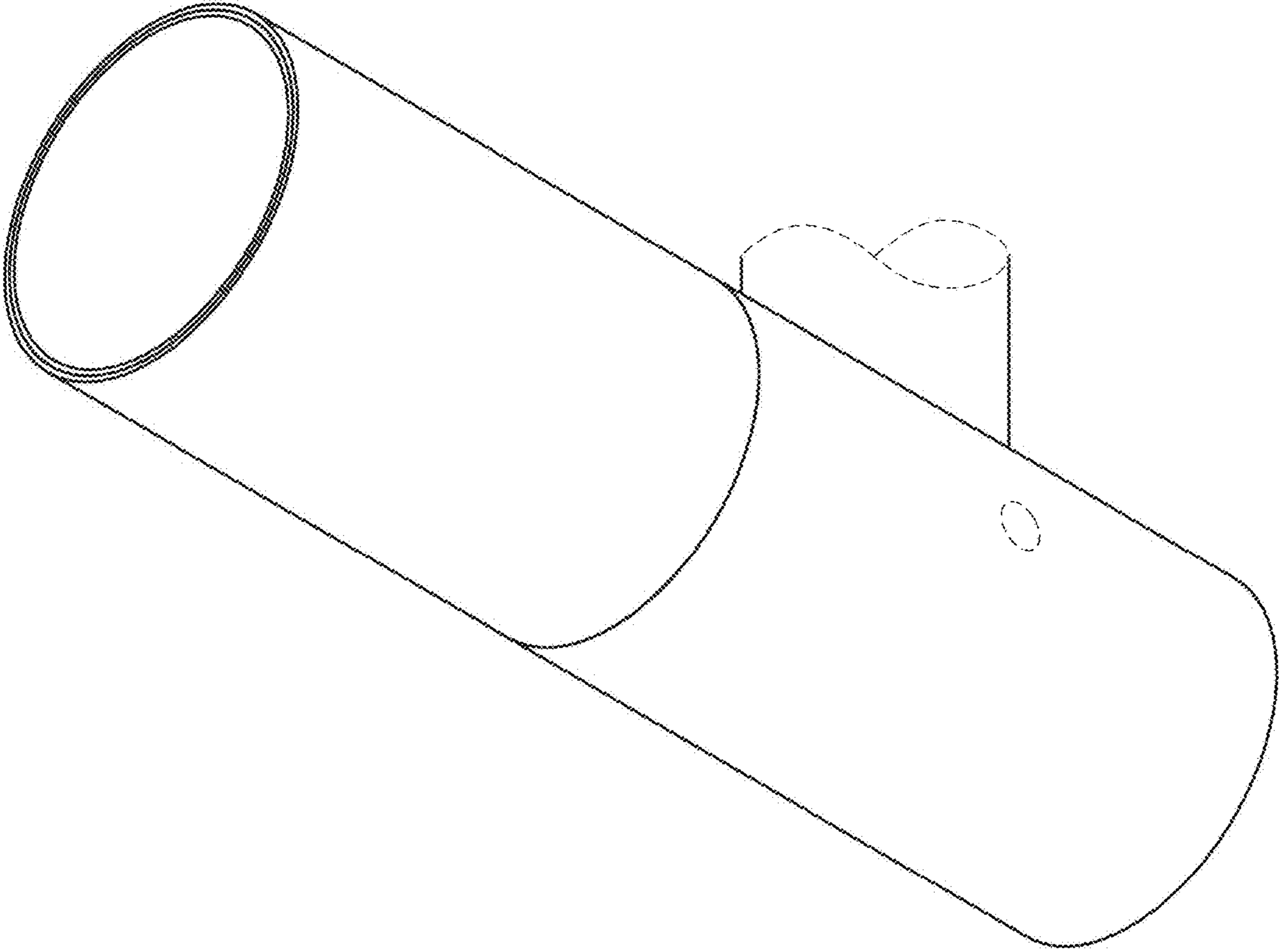


FIG.12

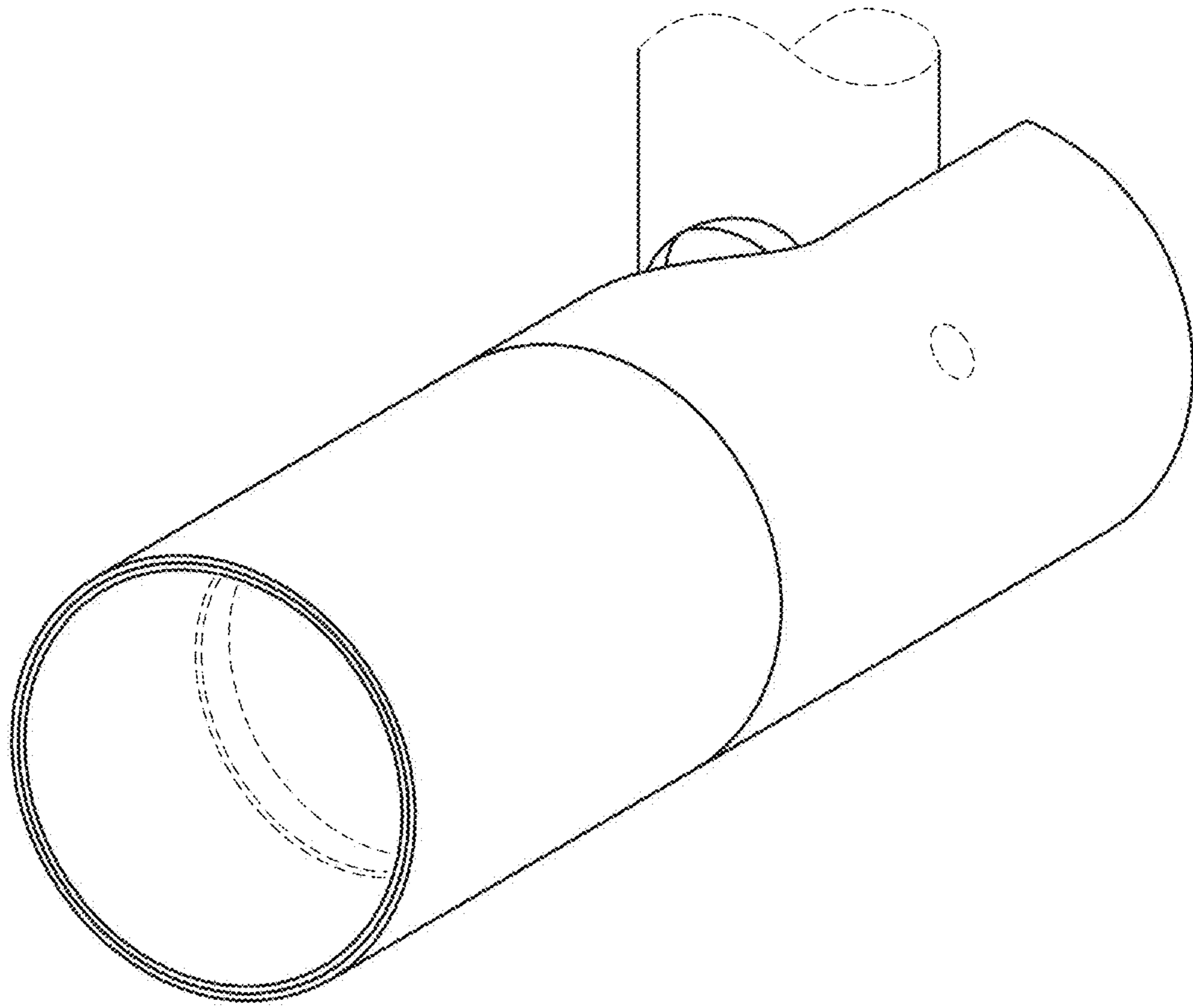


FIG.13

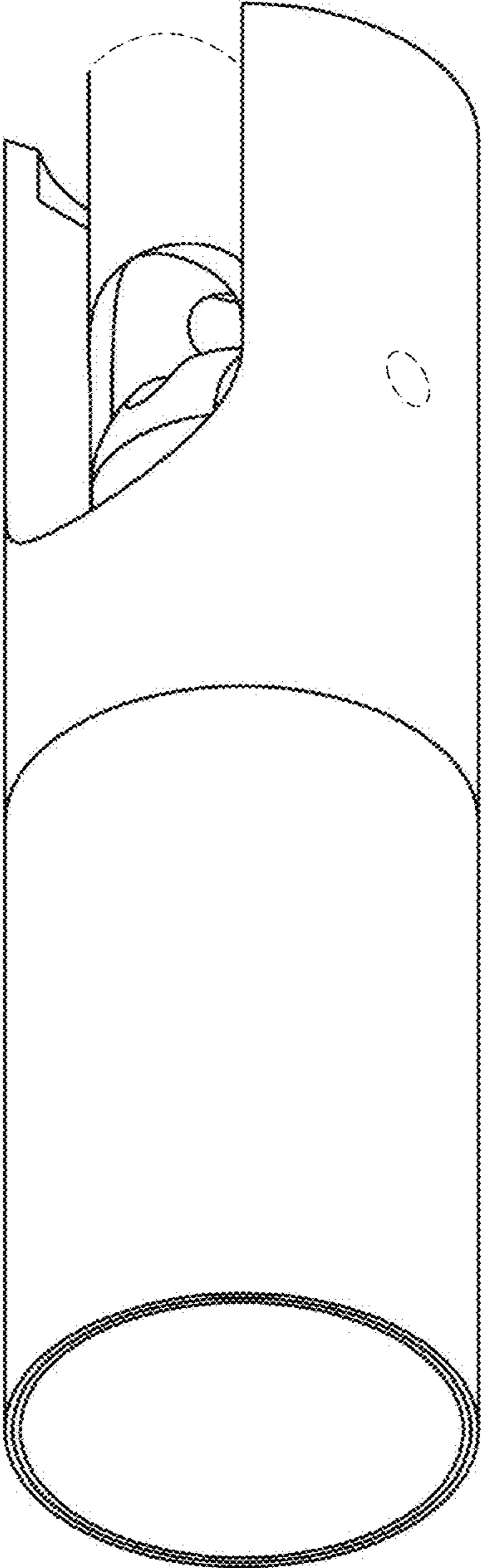


FIG.14

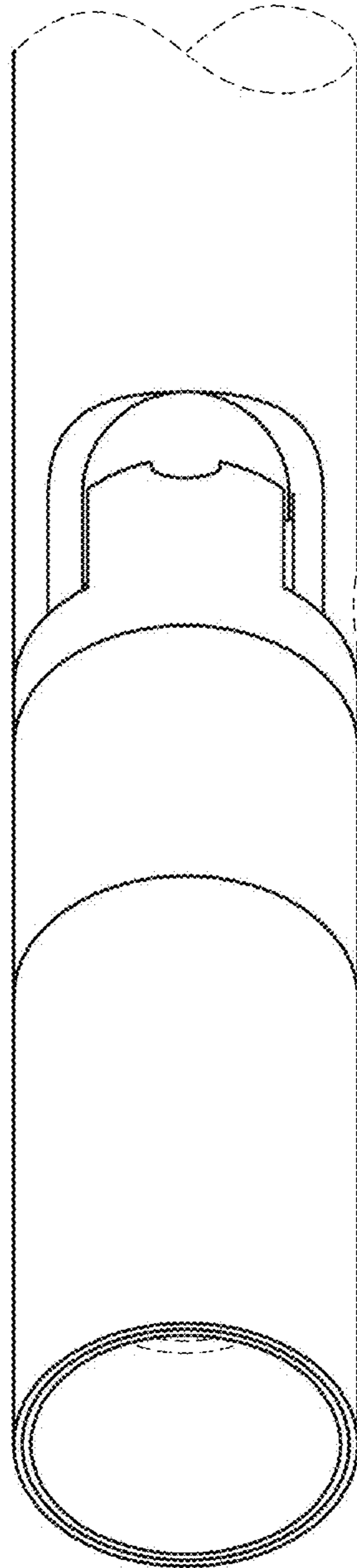


FIG. 15

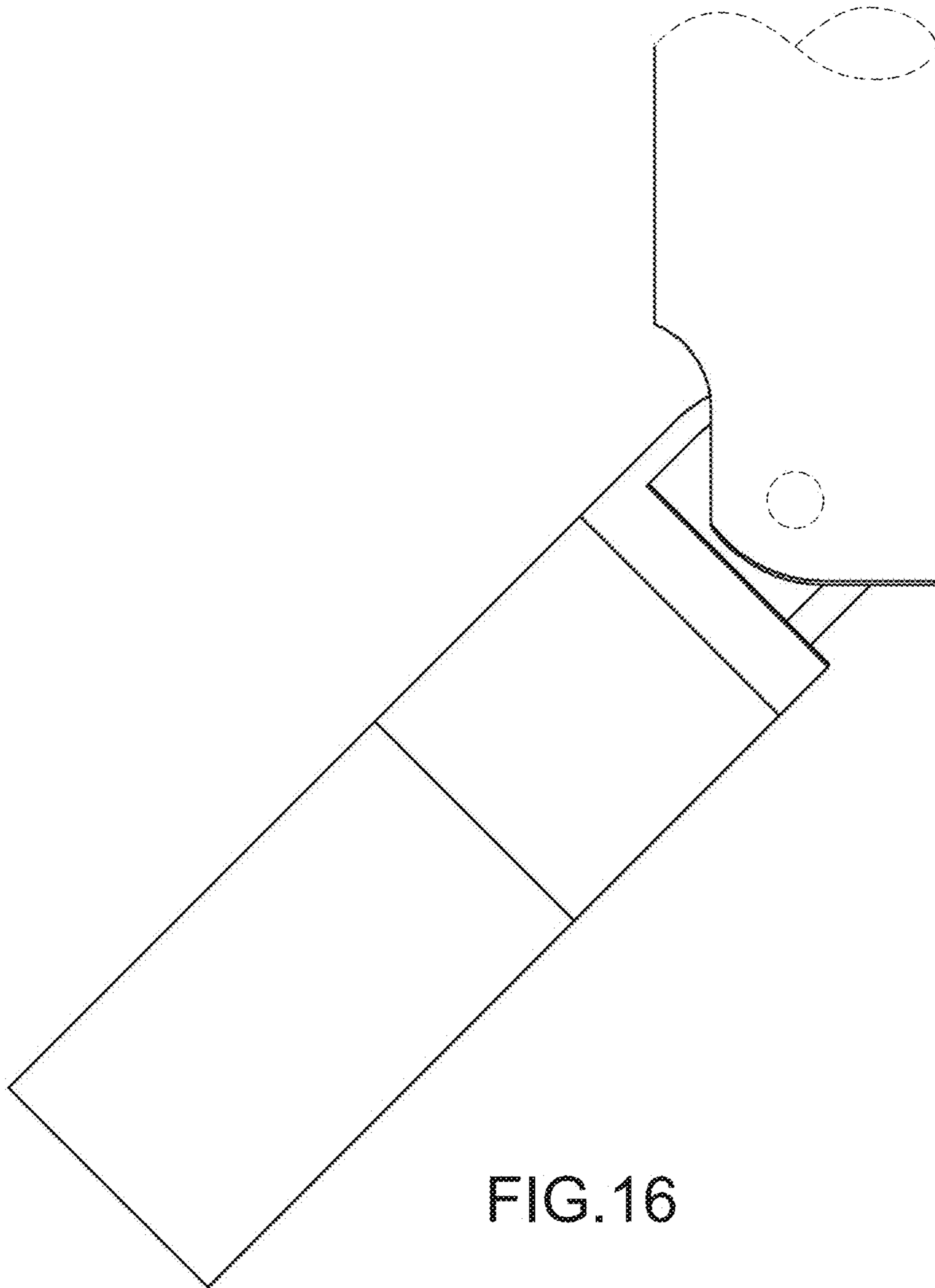


FIG. 16

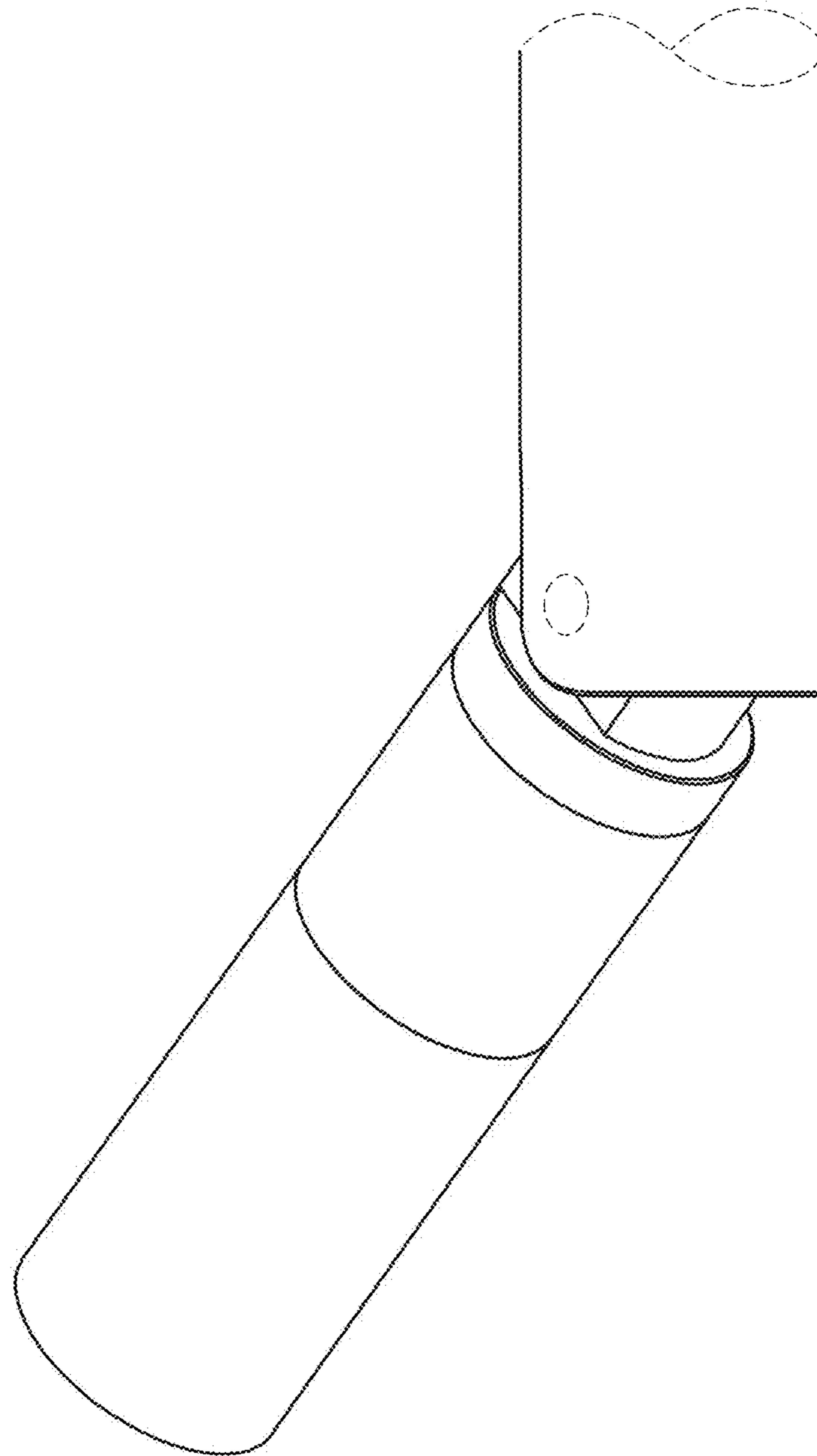


FIG. 17

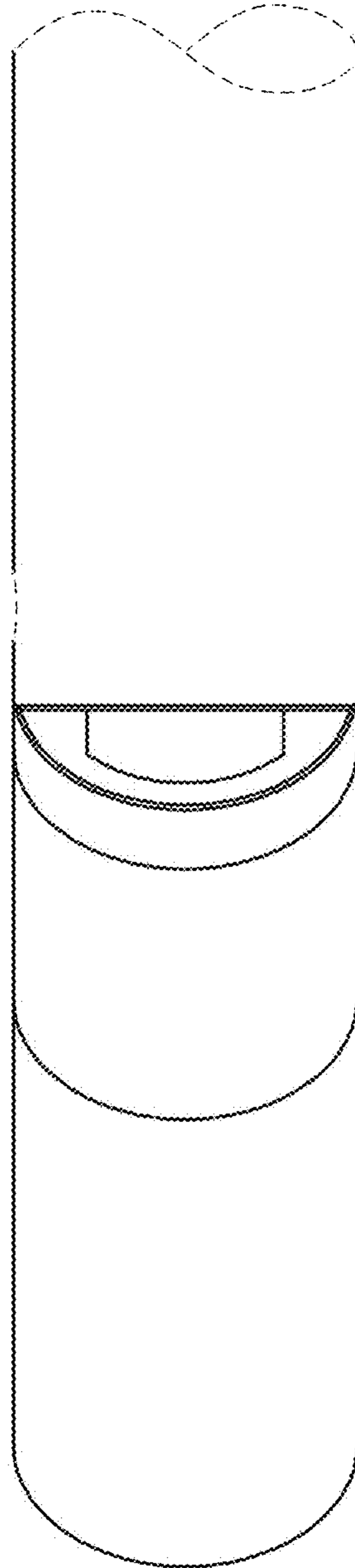


FIG.18

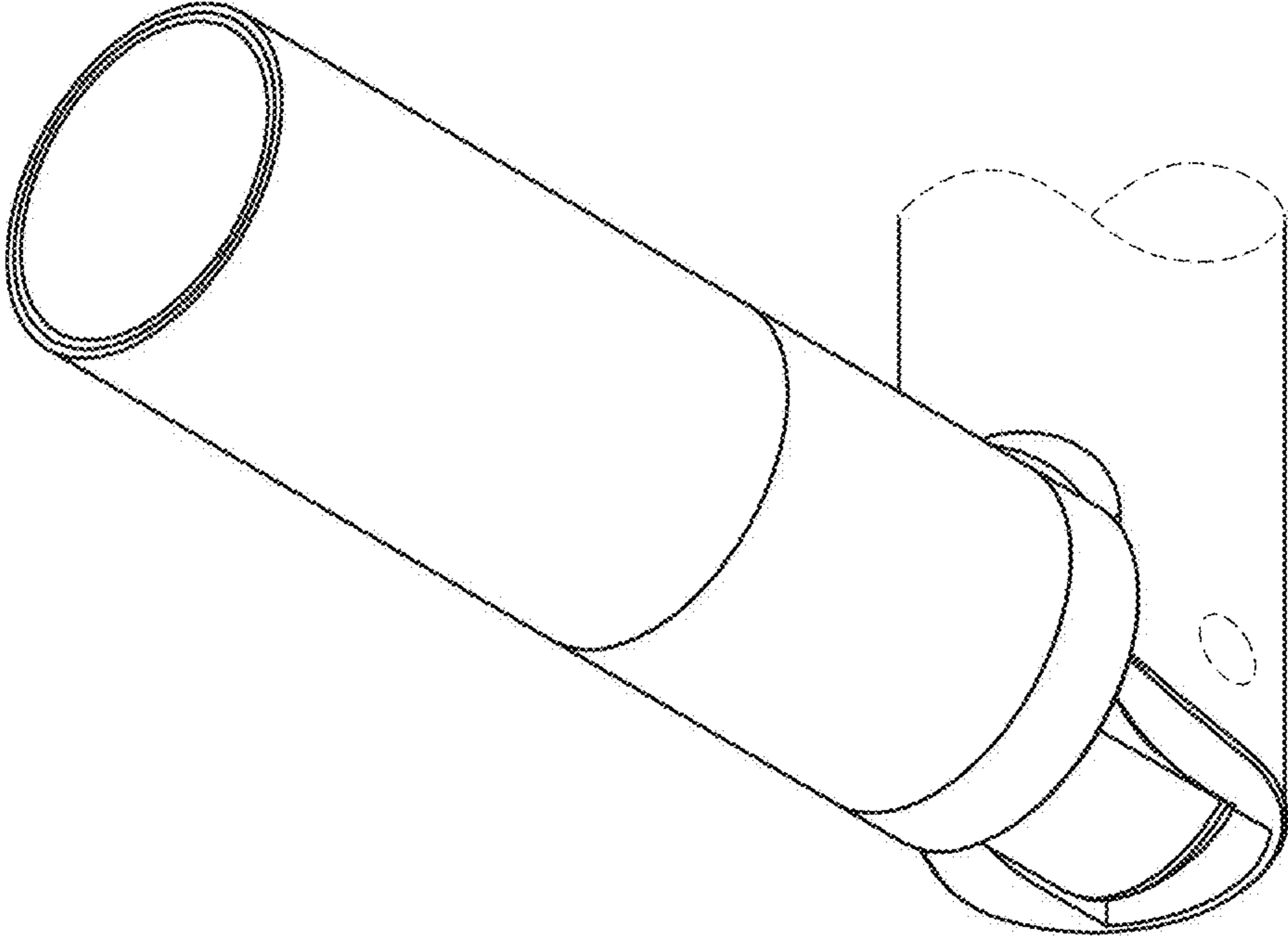


FIG.19

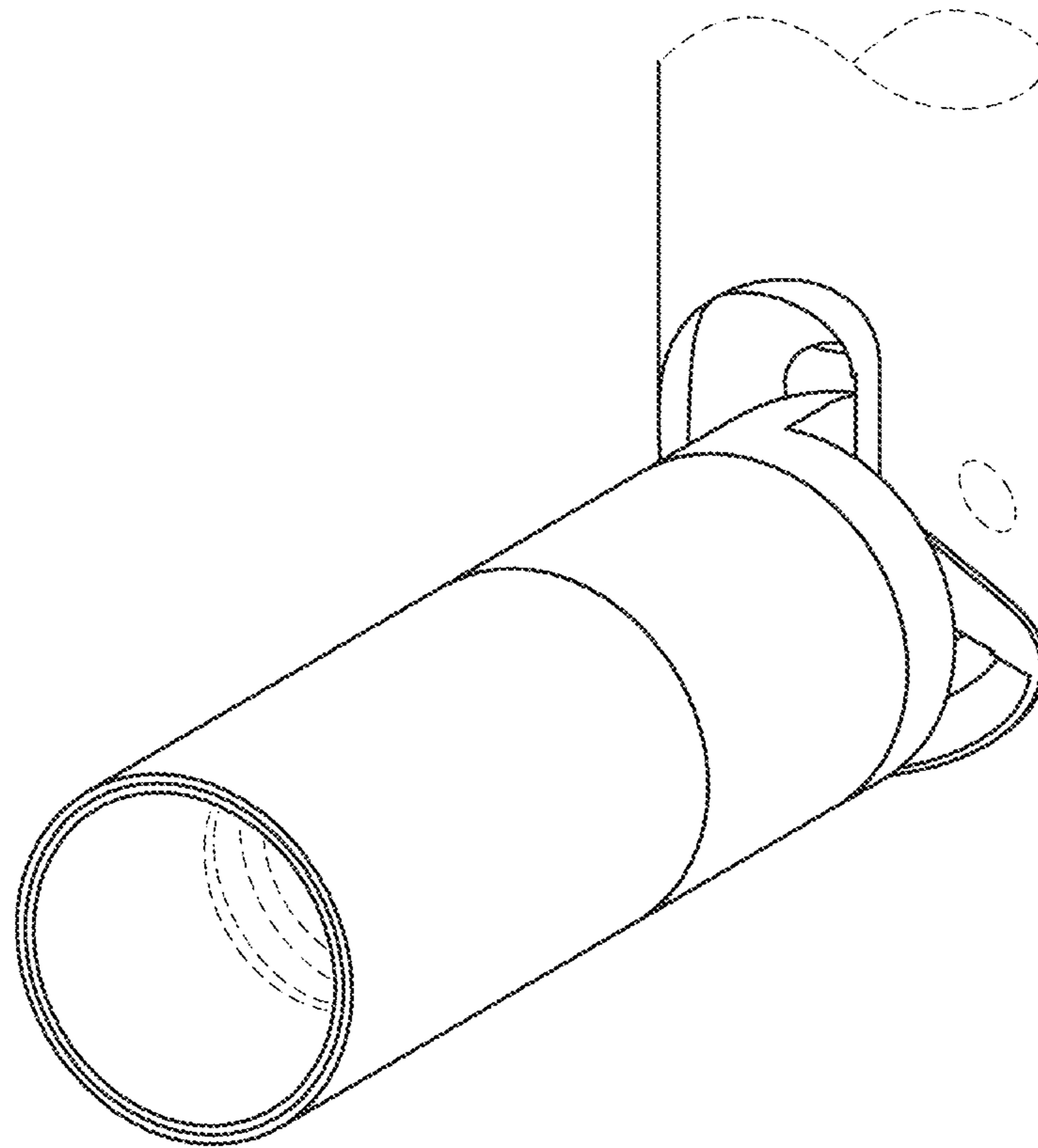


FIG.20

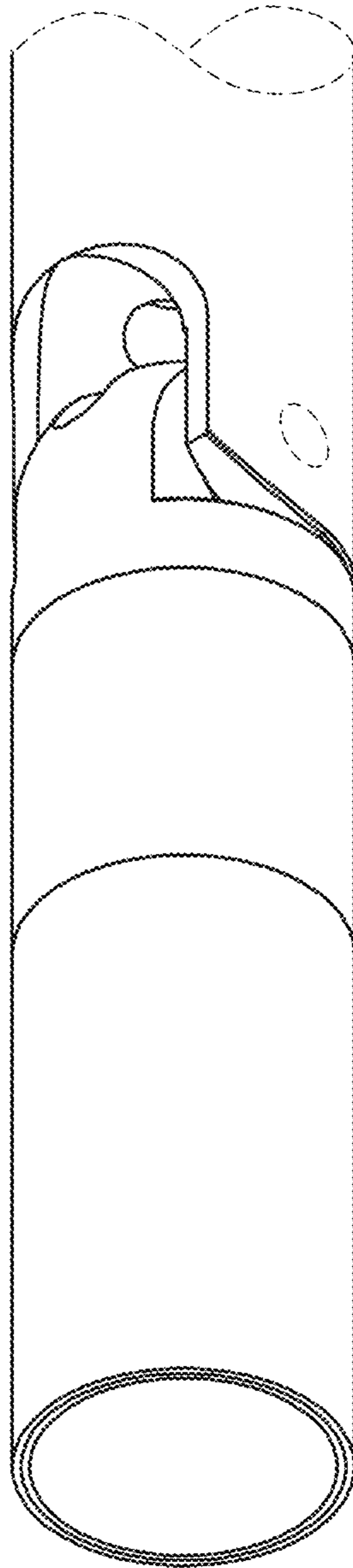


FIG. 21