



US00D887055S

(12) **United States Design Patent** (10) **Patent No.:** **US D887,055 S**  
**Espiritu et al.** (45) **Date of Patent:** **\*\* Jun. 9, 2020**

(54) **POSITIONABLE TOOL LIGHT**

A61B 1/24; A61B 1/32; A61B 1/303;  
A61B 90/30; F21L 4/00; F21L 4/025

See application file for complete search history.

(71) Applicants: **Theodore Espiritu**, Salt Lake City, UT (US); **Gregory D. Phillips, Jr.**, Steilacoom, WA (US); **Matthew N. Lamont**, Salt Lake City, UT (US); **Benjamin H Timmins**, Salt Lake City, UT (US); **Quinn Tate**, Salt Lake City, UT (US); **Jonathan L. Curtis**, Salt Lake City, UT (US)

(56) **References Cited**

U.S. PATENT DOCUMENTS

4,619,248	A	10/1986	Walsh	
D352,126	S *	11/1994	Ruud	D26/24
D443,383	S *	6/2001	Shih	D26/93
6,379,296	B1	4/2002	Baggett	
D564,124	S *	3/2008	Dickson	D26/89
7,631,981	B2	12/2009	Miller et al.	
8,388,523	B2	3/2013	Vivenzio et al.	
D775,398	S *	12/2016	Warden	D26/106
D783,394	S *	4/2017	Peterson	D8/402
D803,436	S *	11/2017	Becker	D26/28

(Continued)

FOREIGN PATENT DOCUMENTS

CA	2603203	11/2006
CN	201143201	11/2008

*Primary Examiner* — Brian N. Vinson  
(74) *Attorney, Agent, or Firm* — Dobbin IP Law P.C.;  
Geoffrey E. Dobbin

(72) Inventors: **Theodore Espiritu**, Salt Lake City, UT (US); **Gregory D. Phillips, Jr.**, Steilacoom, WA (US); **Matthew N. Lamont**, Salt Lake City, UT (US); **Benjamin H Timmins**, Salt Lake City, UT (US); **Quinn Tate**, Salt Lake City, UT (US); **Jonathan L. Curtis**, Salt Lake City, UT (US)

(\*\*) Term: **15 Years**

(21) Appl. No.: **29/671,551**

(22) Filed: **Nov. 28, 2018**

**Related U.S. Application Data**

(63) Continuation of application No. 15/799,860, filed on Oct. 31, 2017, now Pat. No. 10,174,933.

(51) **LOC (12) Cl.** ..... **26-03**

(52) **U.S. Cl.**  
USPC ..... **D26/51**

(58) **Field of Classification Search**  
USPC ..... D26/1, 24, 28, 37, 51, 60, 89, 93, 104,  
D26/106; D8/402  
CPC ... F21V 33/0068; F21V 21/0808; A61B 1/06;

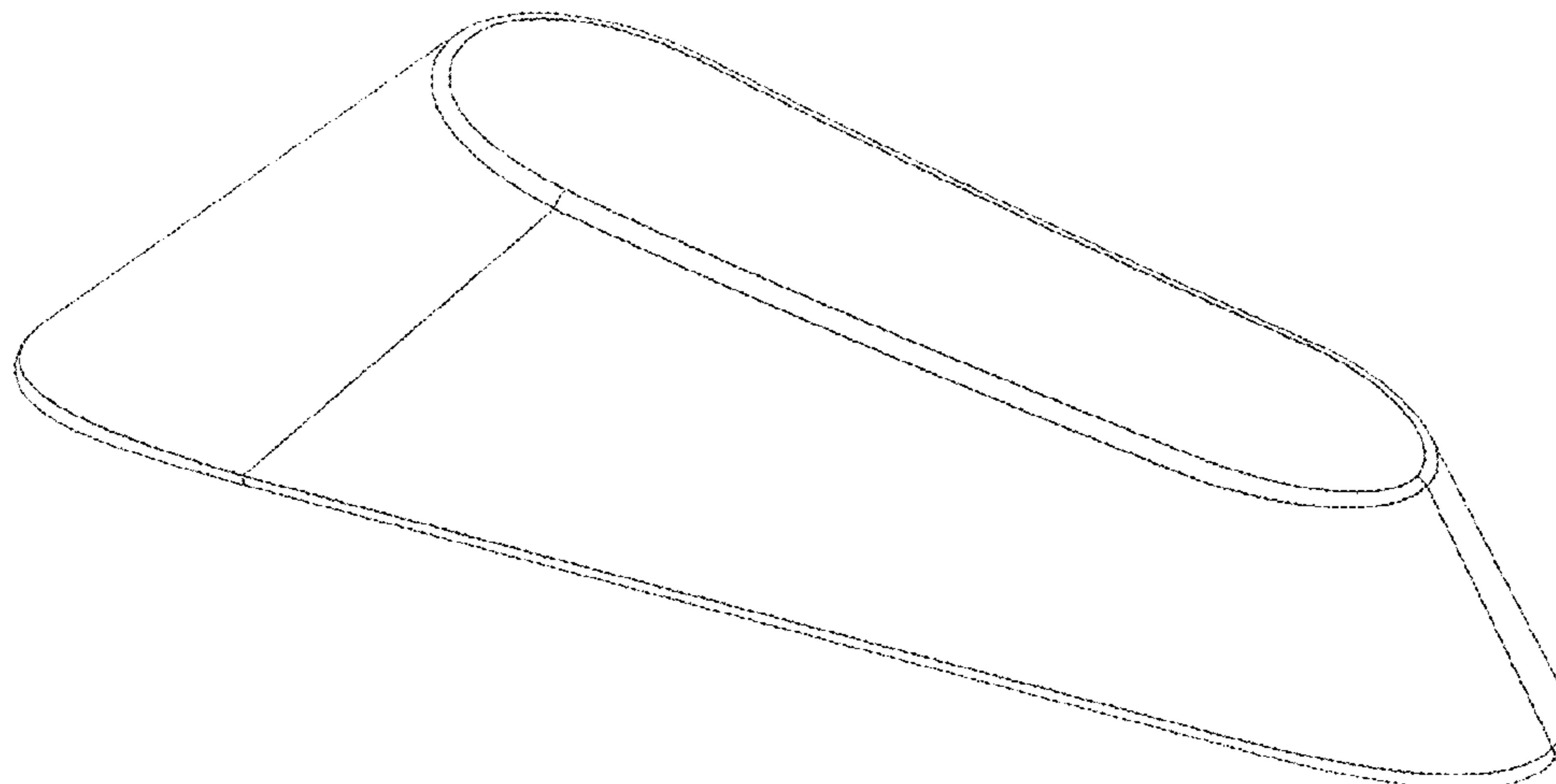
(57) **CLAIM**

The ornamental design for a positionable tool light, as shown and described.

**DESCRIPTION**

FIG. 1 is a perspective view of one embodiment of the positionable tool light.  
FIG. 2 is a side perspective view of the positionable tool light.  
FIG. 3 is a front perspective view of the positionable tool light.  
FIG. 4 is a rear perspective view of the positionable tool light.  
FIG. 5 is a top plan view of the positionable tool light; and, FIG. 6 is a bottom plan view of the positionable tool light.

(Continued)



The broken lines in FIG. 6 depict unclaimed structure which is not intended to form a part of the claimed design.

**1 Claim, 3 Drawing Sheets**

(56) **References Cited**

U.S. PATENT DOCUMENTS

D822,240	S	*	7/2018	Liu .....	D26/28
D849,294	S	*	5/2019	Ormsbee .....	D26/37
2007/0156022	A1		7/2007	Patel	
2007/0255110	A1		11/2007	Wax et al.	
2009/0076334	A1		3/2009	Chen	
2012/0108907	A1		3/2012	Fitipaldi et al.	
2014/0309499	A1		10/2014	Swift	

\* cited by examiner

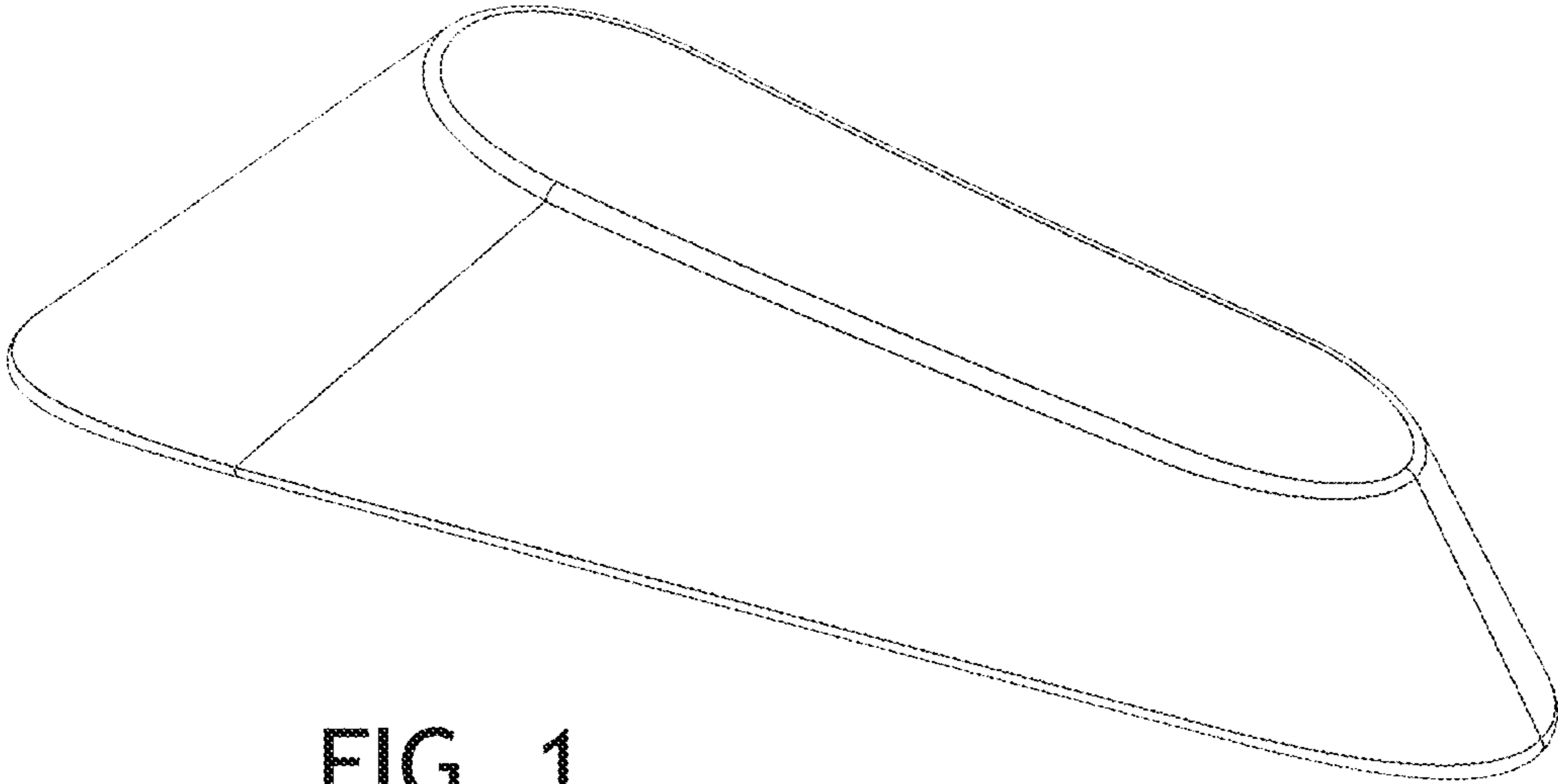


FIG. 1

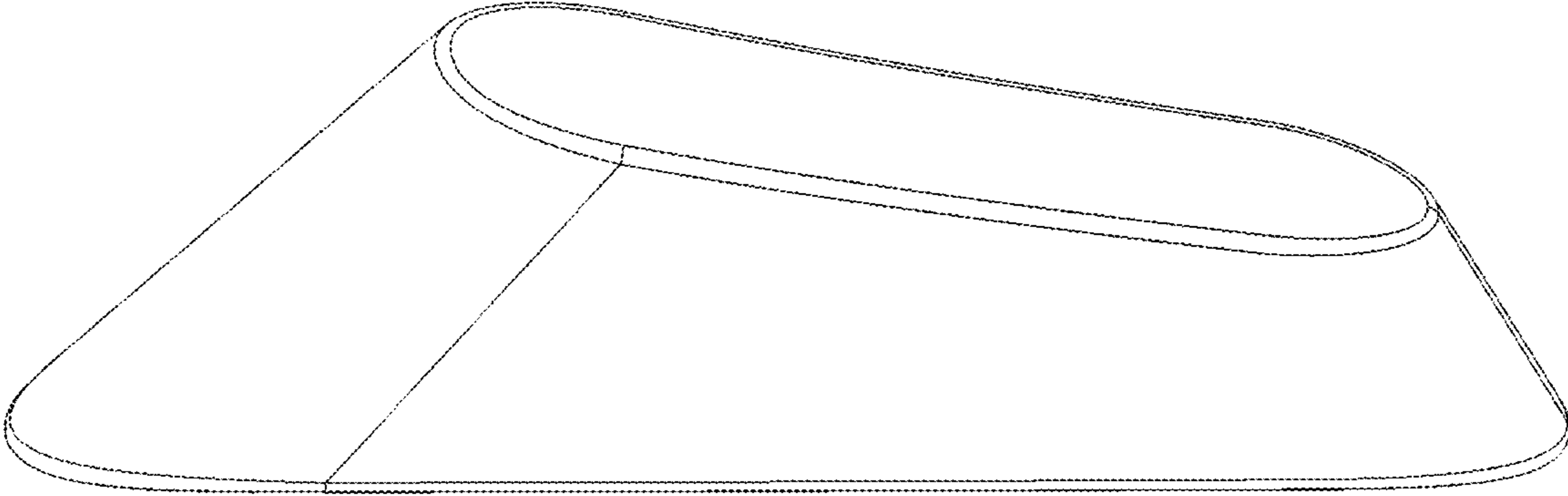


FIG. 2

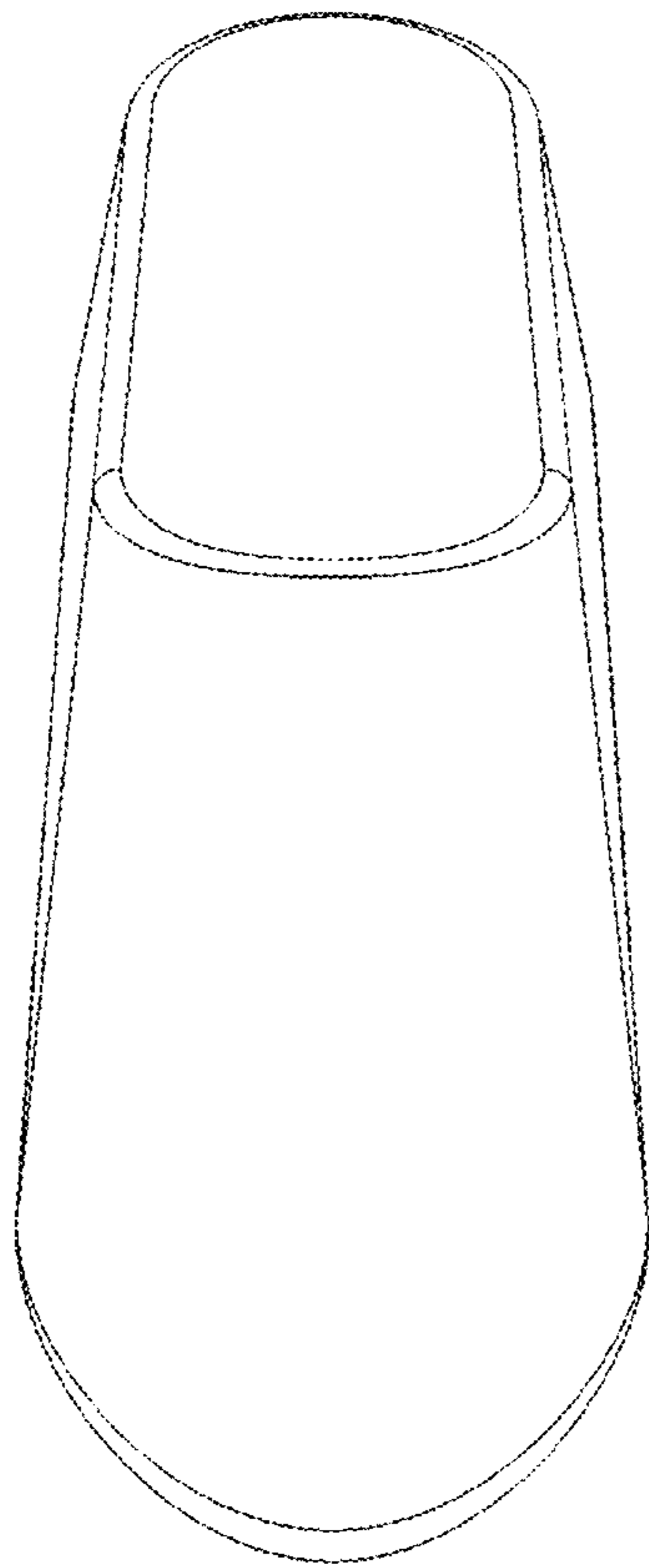


FIG. 3

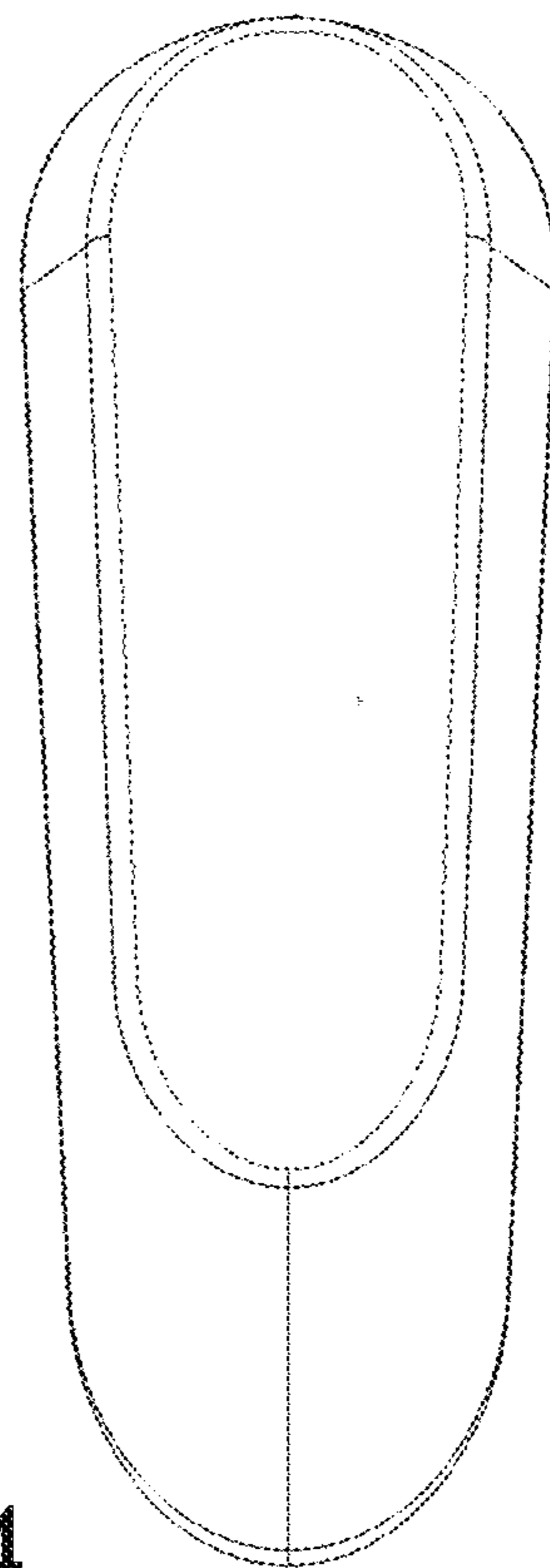


FIG. 4

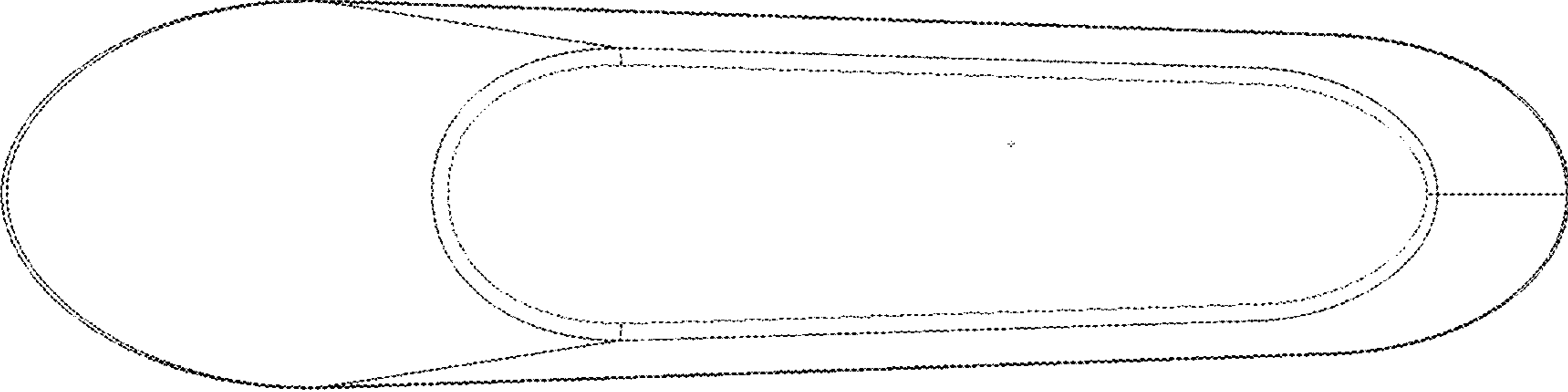


FIG. 5

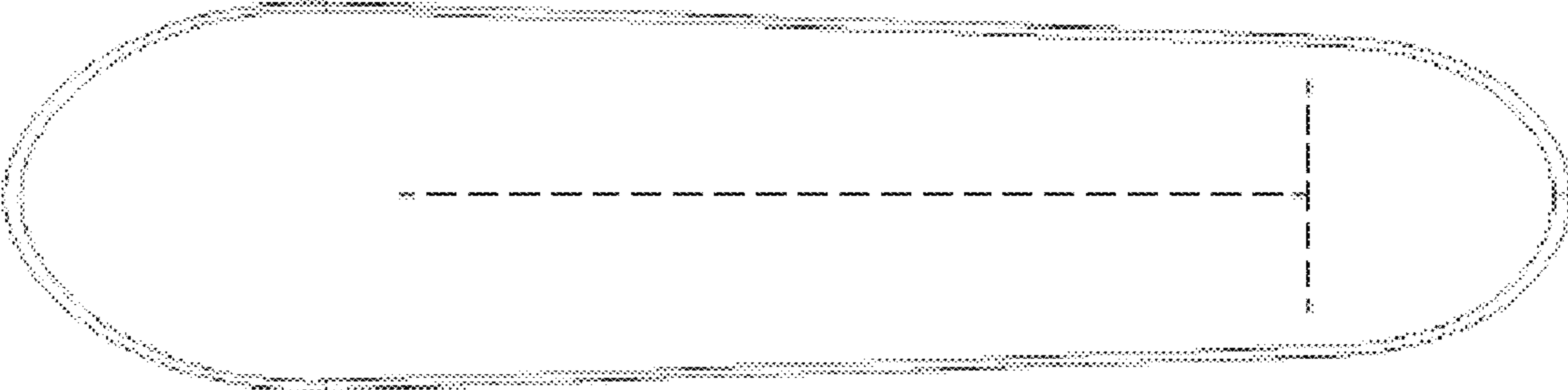


FIG. 6