



US00D887053S

(12) **United States Design Patent**
Fultz

(10) **Patent No.:** **US D887,053 S**
(45) **Date of Patent:** **** Jun. 9, 2020**

(54) **FLASHLIGHT AND CAMERA ASSEMBLY**

(71) Applicant: **Charles Fultz**, Fort Lauderdale, FL
(US)

(72) Inventor: **Charles Fultz**, Fort Lauderdale, FL
(US)

(**) Term: **15 Years**

(21) Appl. No.: **29/674,621**

(22) Filed: **Dec. 21, 2018**

(51) **LOC (12) Cl.** **26-02**

(52) **U.S. Cl.**
USPC **D26/39**

(58) **Field of Classification Search**

USPC D26/1, 24, 25, 43, 60, 110, 113, 28, 37,
D26/61, 85, 102, 138-140; 362/249.14,
362/311.02, 311.13

CPC F21S 4/00; F21S 4/10; F21S 4/15; F21S
4/26; F21S 2/00; F21S 8/003; F21S
8/043; F21V 11/02; F21V 11/06; F21V
17/10; F21V 17/16; F21V 21/0296; F21V
21/0054; F21V 21/008; F21V 21/00;
F21V 21/08; F21V 23/00; F21V 23/04;
F21V 33/00; F21V 21/14; F21V 21/30;
F21V 15/01; F21V 14/02; F21V 14/00;
F21V 14/06; F21W 2121/00; F21W
2121/04; F21Y 2115/10; F21L 4/00; F21L
4/02; F21L 4/04; F21L 4/08

See application file for complete search history.

(56) **References Cited**

U.S. PATENT DOCUMENTS

D407,171 S *	3/1999	Yuen	D26/41
D532,532 S *	11/2006	Maxik	D26/2
D584,838 S *	1/2009	To	D26/2
D841,840 S *	2/2019	Ding	D26/2
D846,781 S *	4/2019	Lee	D26/38

* cited by examiner

Primary Examiner — Abraham Bahta

(74) *Attorney, Agent, or Firm* — Derek Fahey

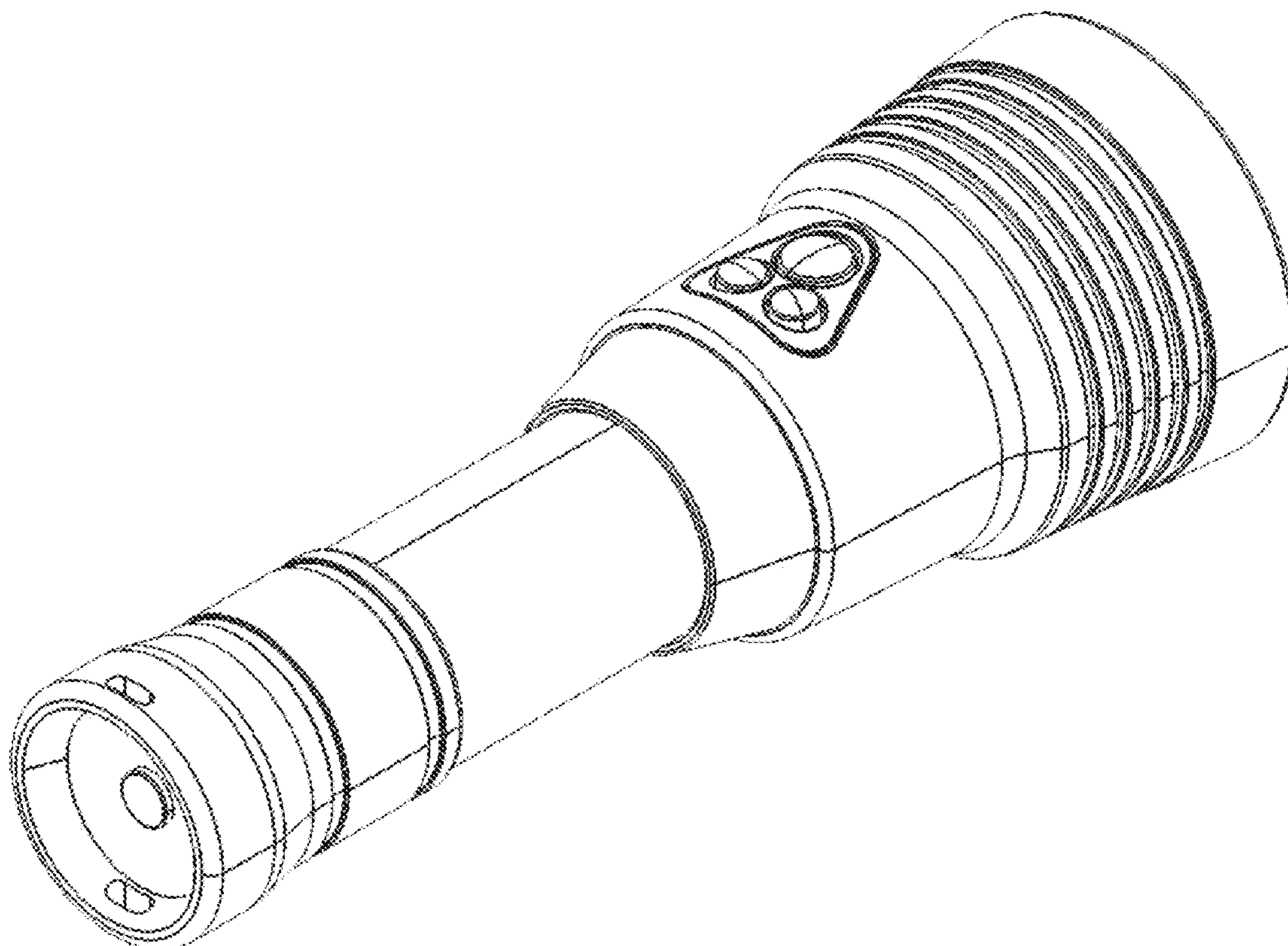
(57) **CLAIM**

The ornamental design for a flashlight and camera assembly,
as shown and described.

DESCRIPTION

FIG. 1 is a rear perspective view of a flashlight and camera
assembly showing my new design;
FIG. 2 is a top view thereof;
FIG. 3 is a bottom view thereof;
FIG. 4 is a first side view thereof;
FIG. 5 is a second side view thereof;
FIG. 6 is a front view thereof;
FIG. 7 is a rear view thereof; and,
FIG. 8 is a front perspective view water thereof.

1 Claim, 8 Drawing Sheets



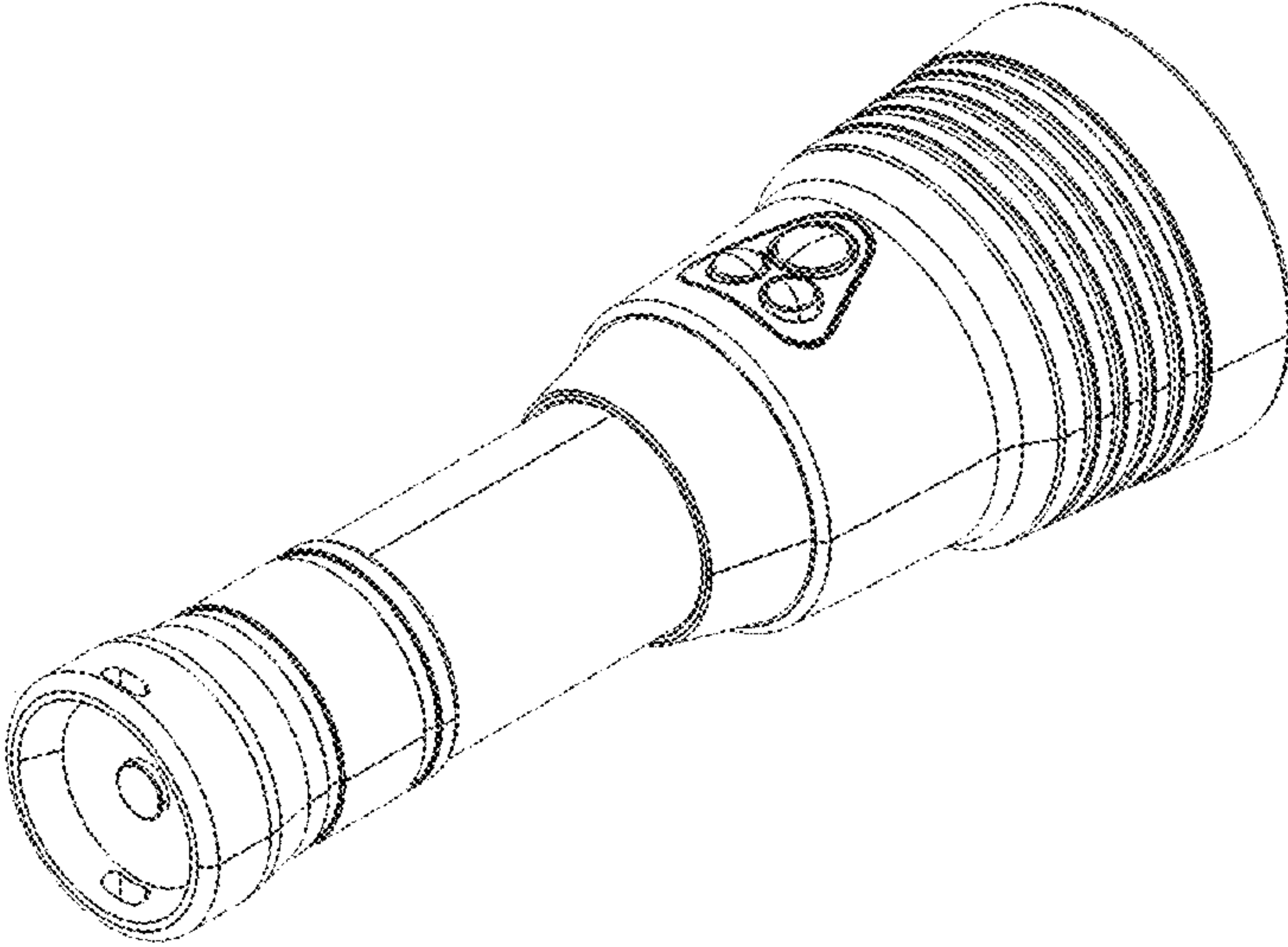


FIG. 1

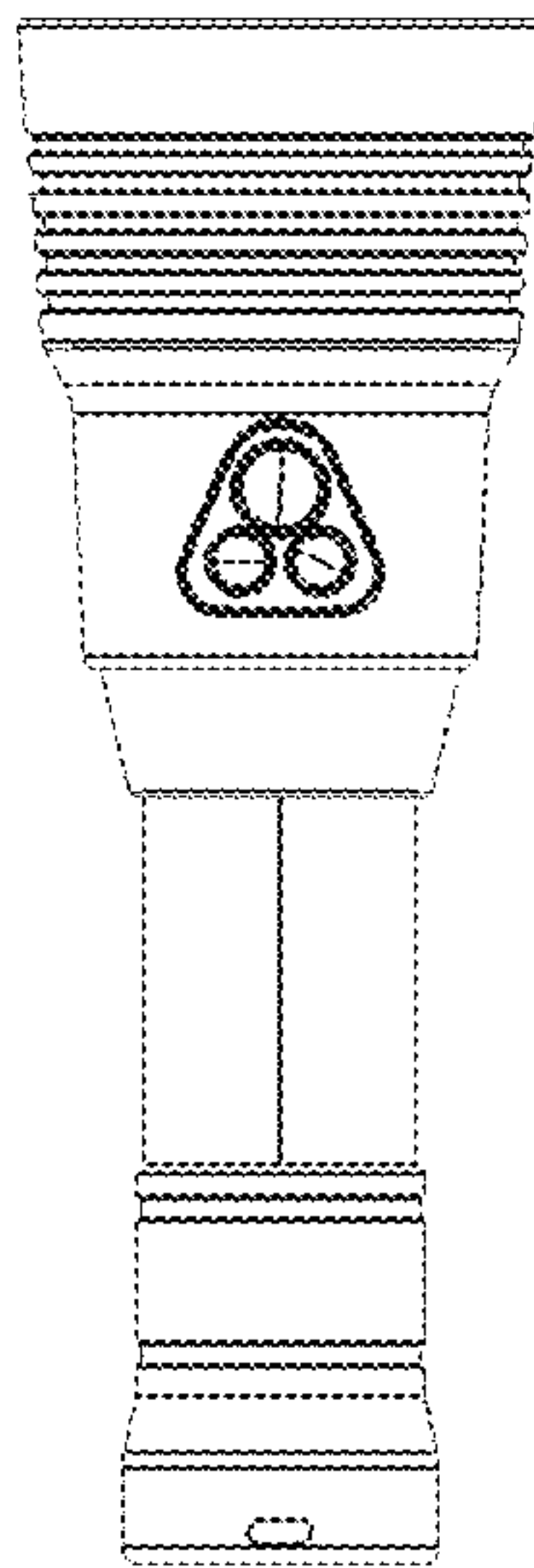


FIG. 2

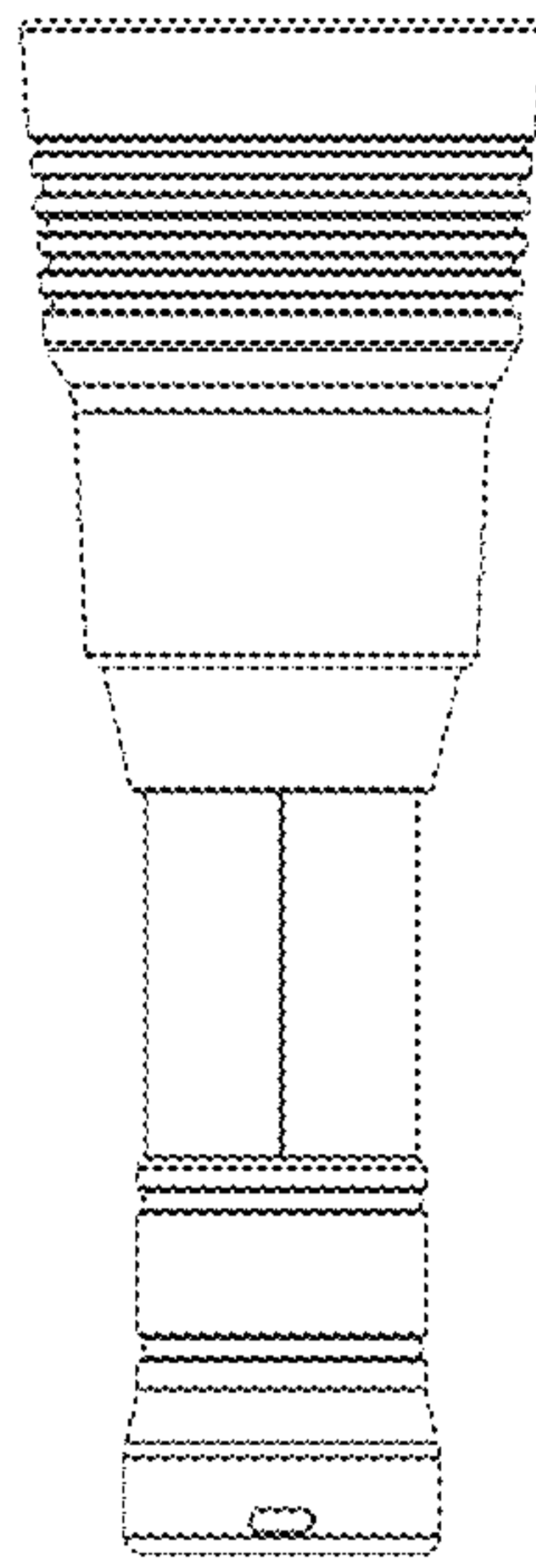


FIG. 3

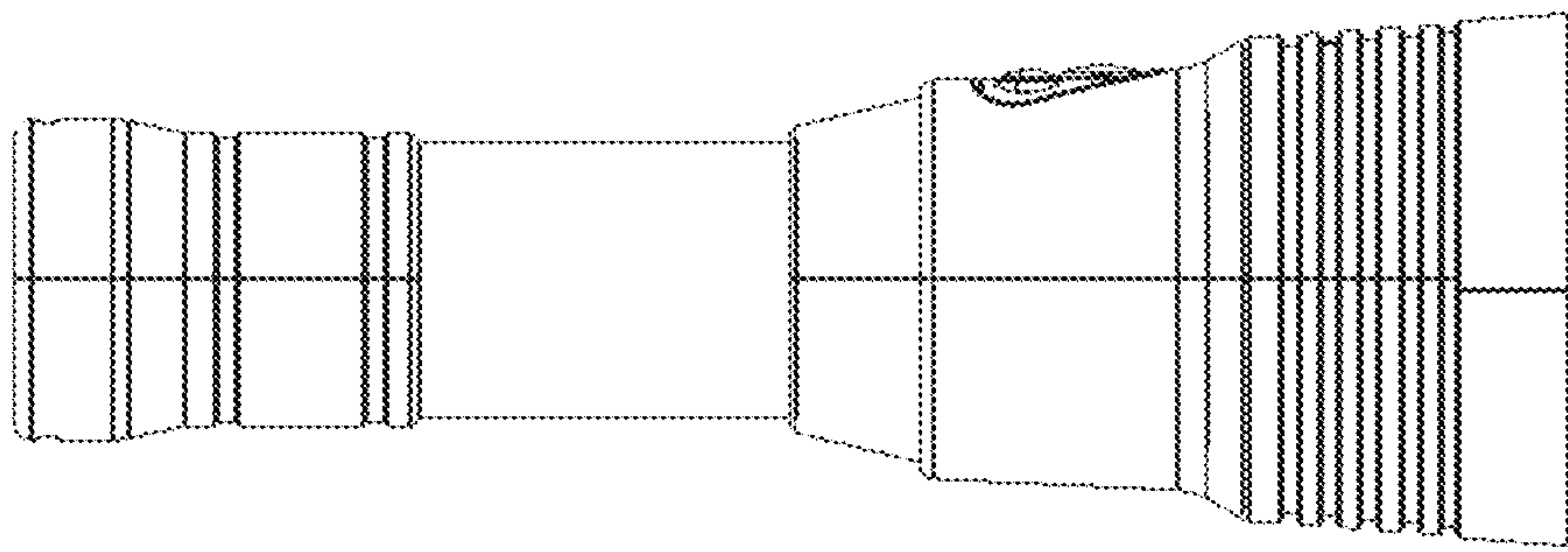


FIG. 4

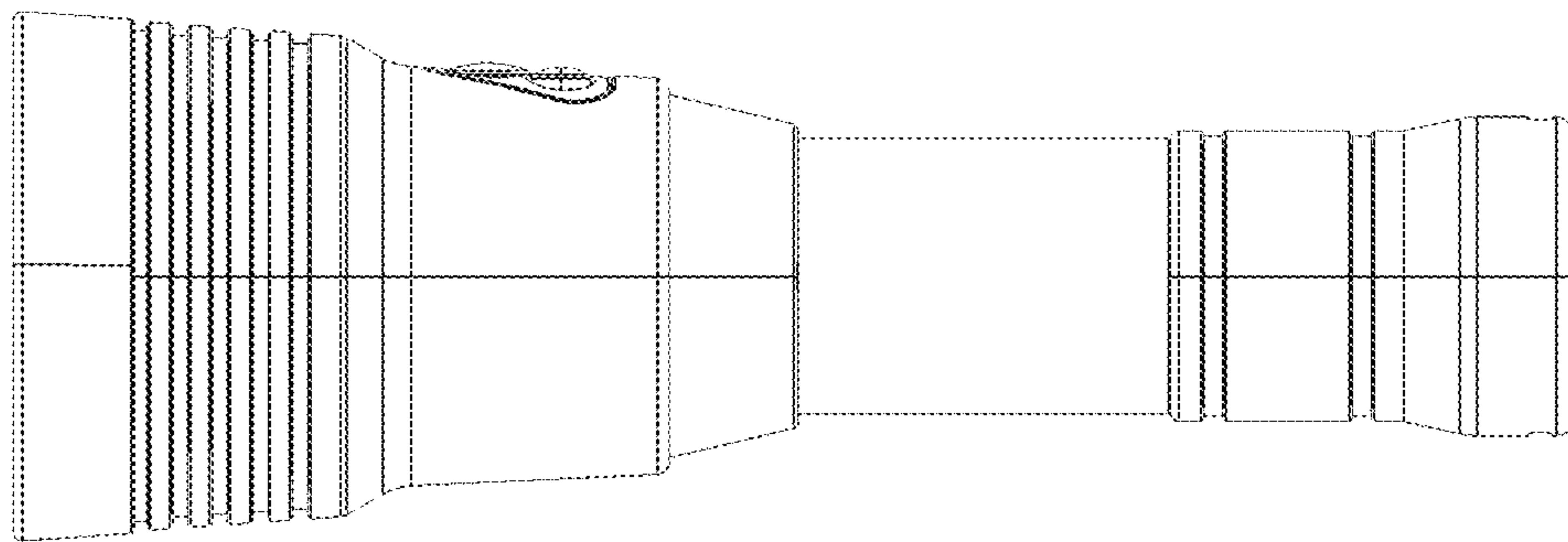


FIG. 5

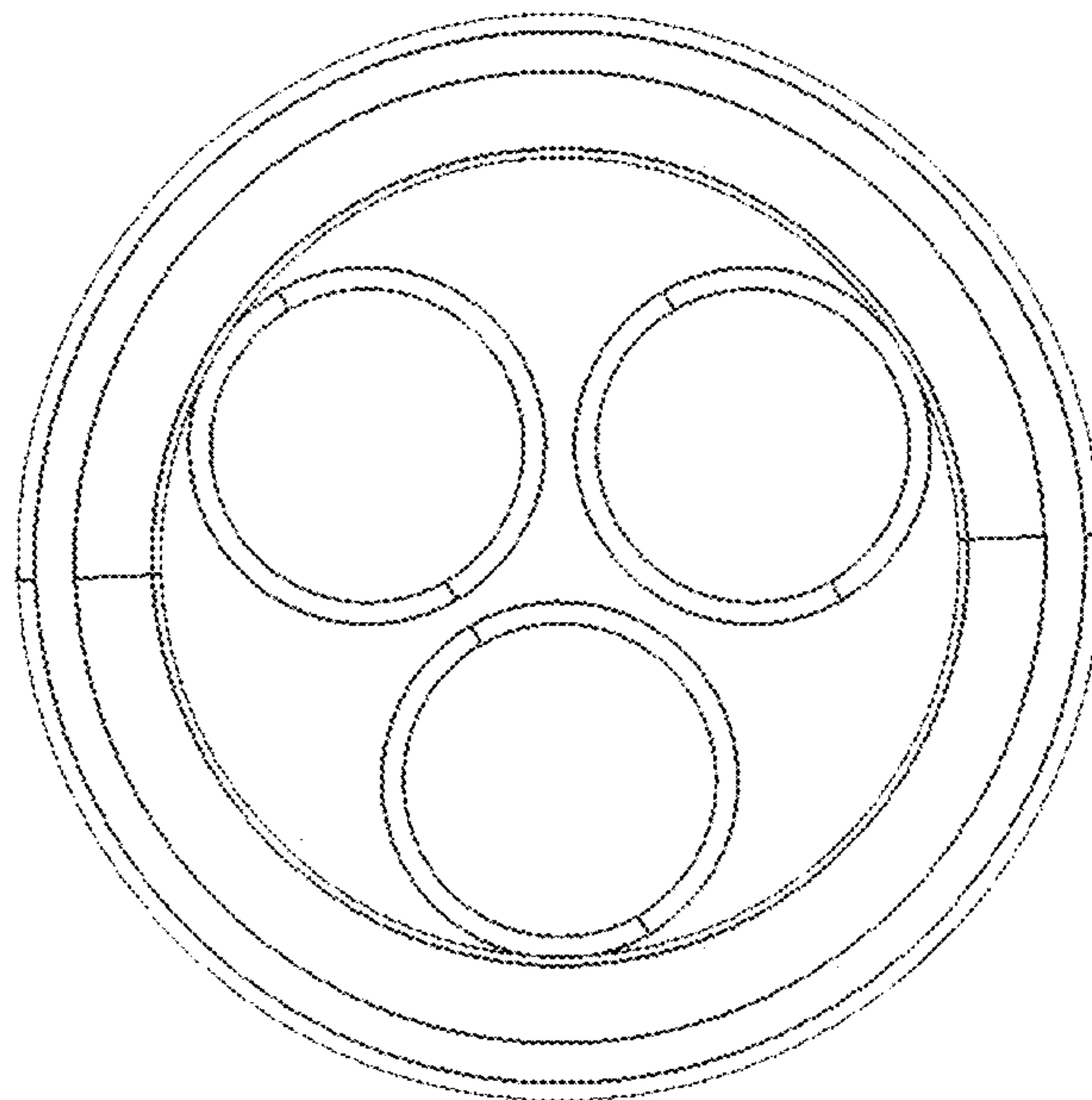


FIG. 6 FRONT

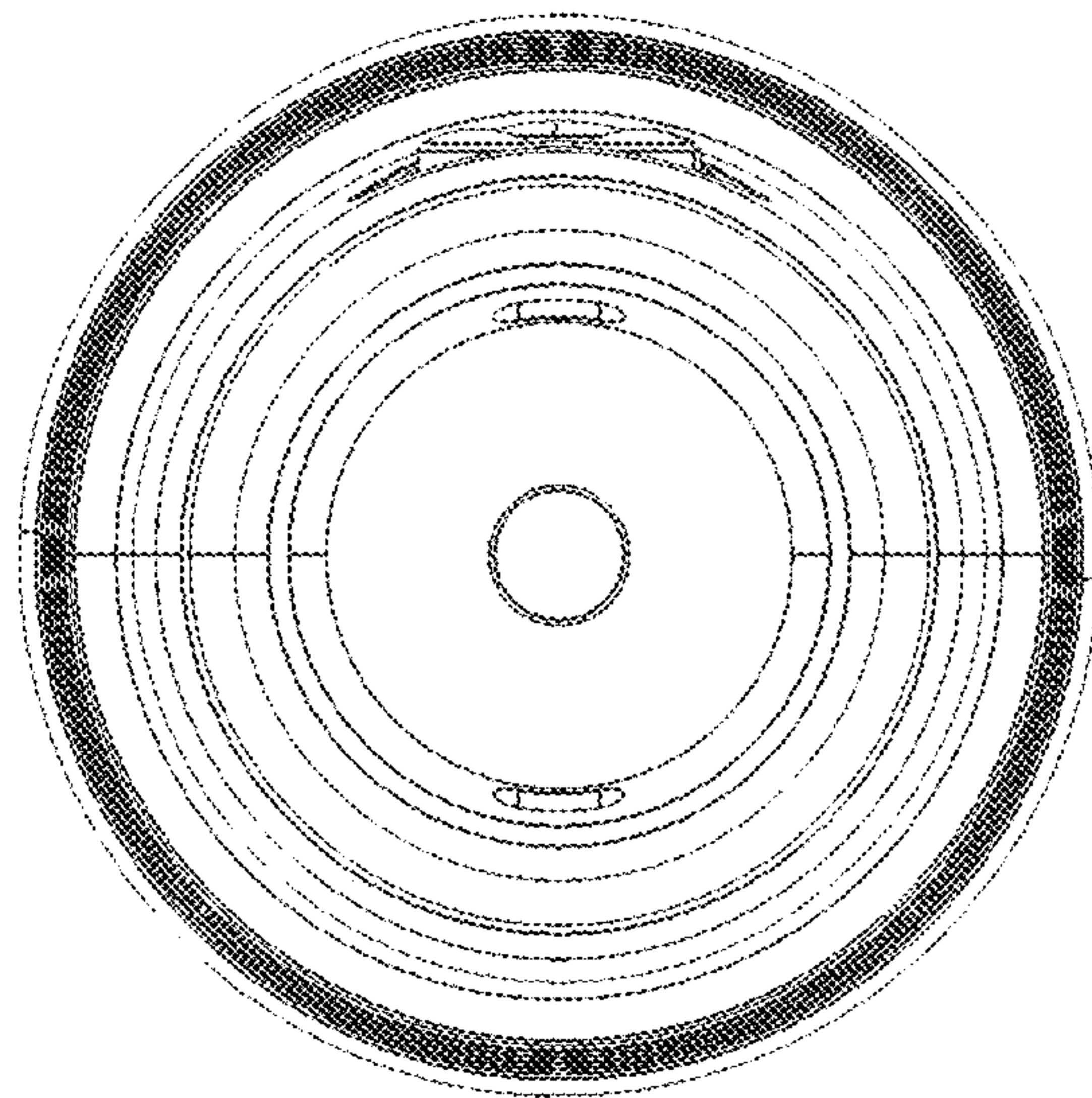


FIG. 7 BACK

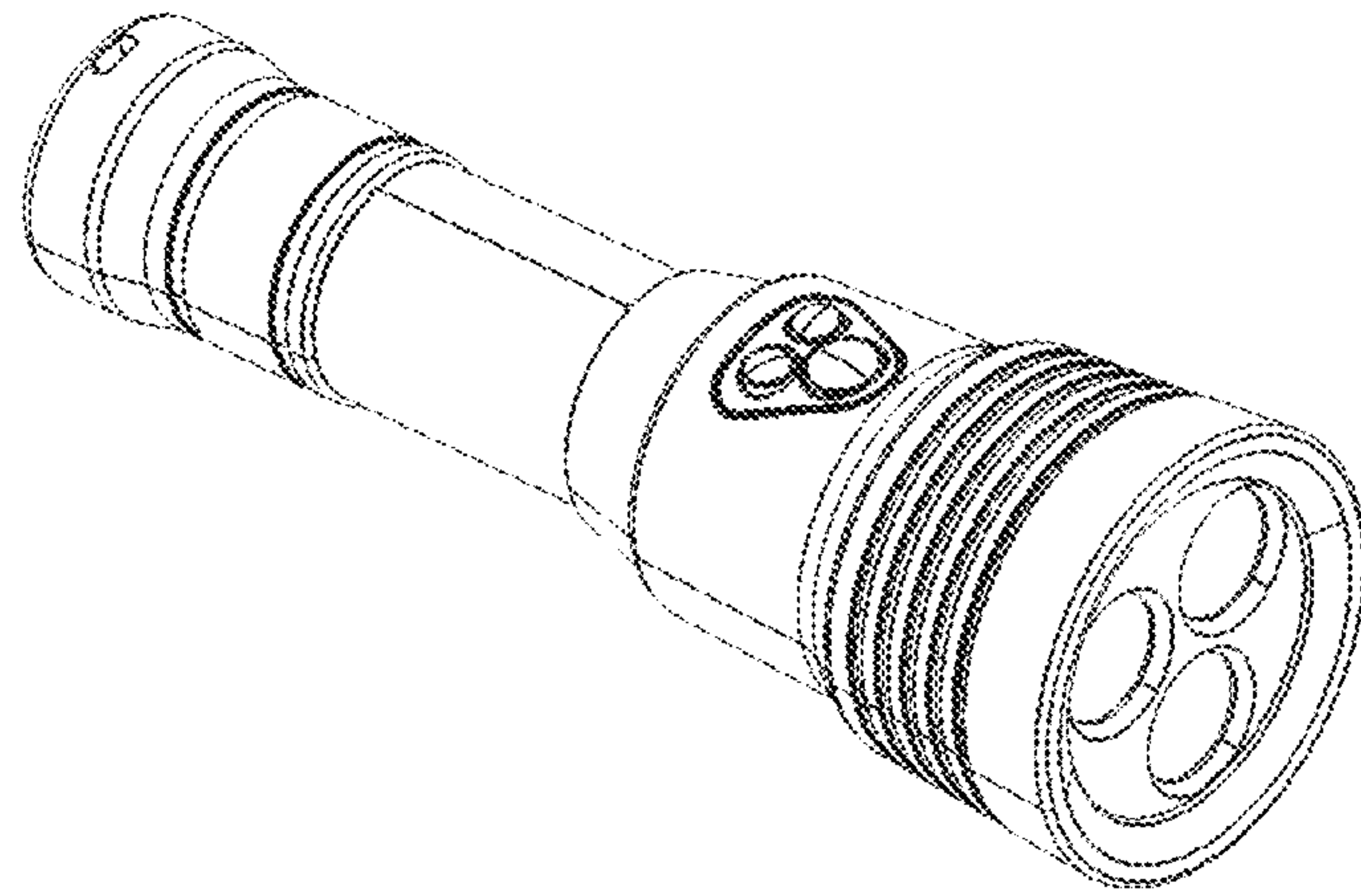


FIG. 8