



US00D887052S

(12) **United States Design Patent** (10) **Patent No.:** **US D887,052 S**
Xu (45) **Date of Patent:** **** Jun. 9, 2020**

(54) **SELFIE RING LIGHT**

(56) **References Cited**

(71) Applicant: **Jiling Xu**, Henan (CN)

U.S. PATENT DOCUMENTS

(72) Inventor: **Jiling Xu**, Henan (CN)

D509,618 S * 9/2005 Baarman D26/106
D619,287 S * 7/2010 Liu D26/62
D773,105 S * 11/2016 Feit D26/106
D854,227 S * 7/2019 Yu D26/106
D855,242 S * 7/2019 Chen D26/106
D869,719 S * 12/2019 Liu D26/61

(**) Term: **15 Years**

* cited by examiner

(21) Appl. No.: **29/672,186**

(22) Filed: **Dec. 4, 2018**

Primary Examiner — Abraham Bahta

(51) **LOC (12) Cl.** **26-02**

(57) **CLAIM**

(52) **U.S. Cl.**

The ornamental design for a selfie ring light, as shown and described.

USPC **D26/39**

(58) **Field of Classification Search**

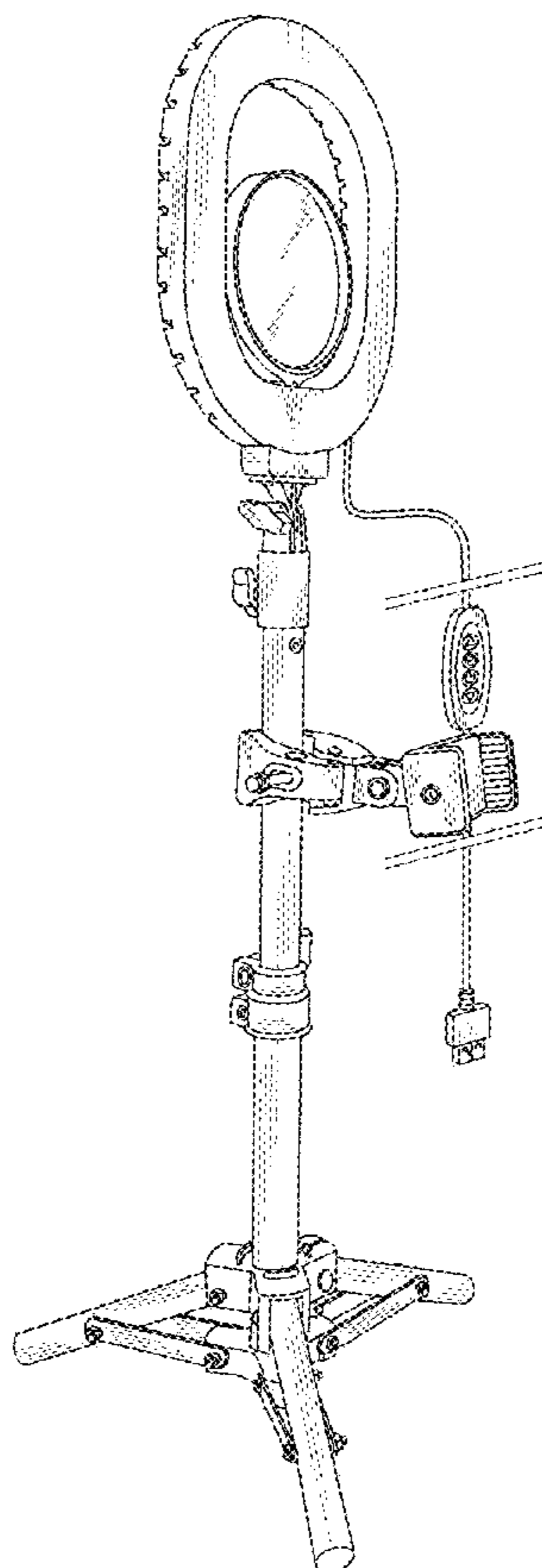
DESCRIPTION

USPC D26/1, 24, 25, 43, 60, 110, 113, 28, 37,
D26/61, 85, 102, 138-140, 39;
362/249.14, 311.02, 311.13

CPC F21S 4/00; F21S 4/10; F21S 4/15; F21S
4/26; F21S 8/00; F21S 8/033; F21S
8/036; F21S 9/037; F21S 9/02; F21S
9/022; F21V 11/02; F21V 11/06; F21V
17/10; F21V 17/16; F21V 23/00; F21V
23/04; F21V 33/00; F21V 1/00; F21V
1/10; F21V 1/143; F21V 5/00; F21V
5/02; F21V 5/043; F21W 2121/00; F21W
2121/04; F21Y 2115/10; F21L 4/00; F21L
4/02; F21L 4/04; F21L 4/08

See application file for complete search history.

1 Claim, 7 Drawing Sheets



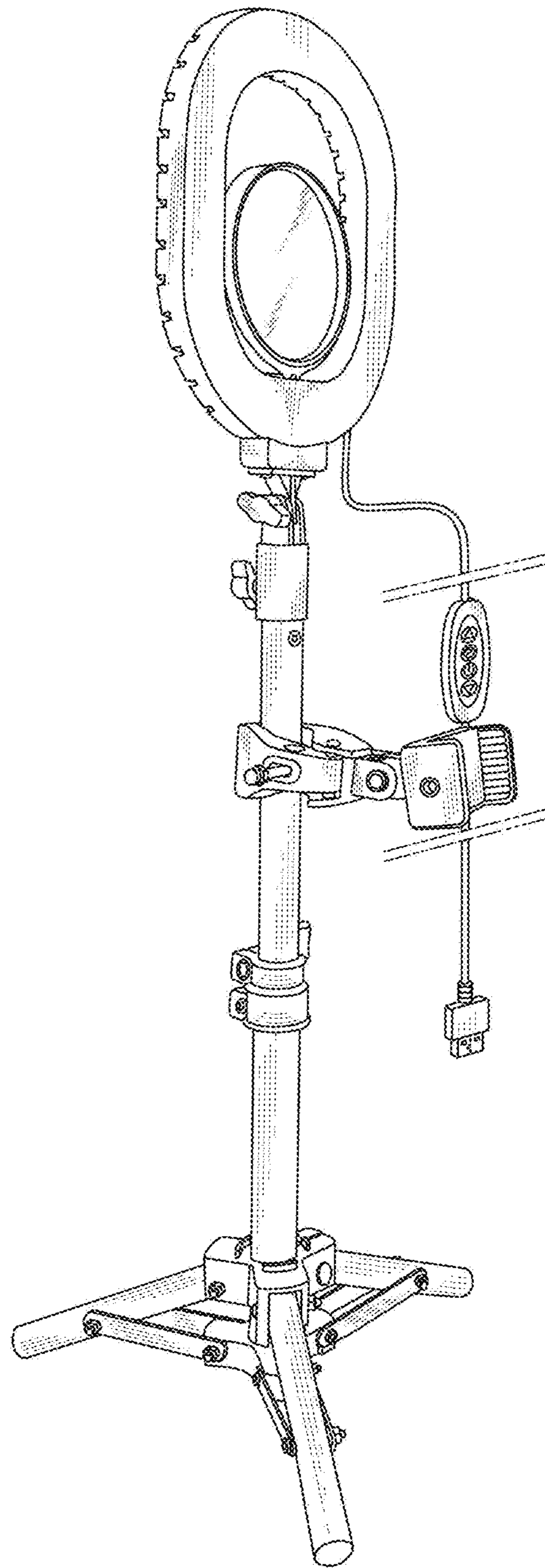


FIG.1

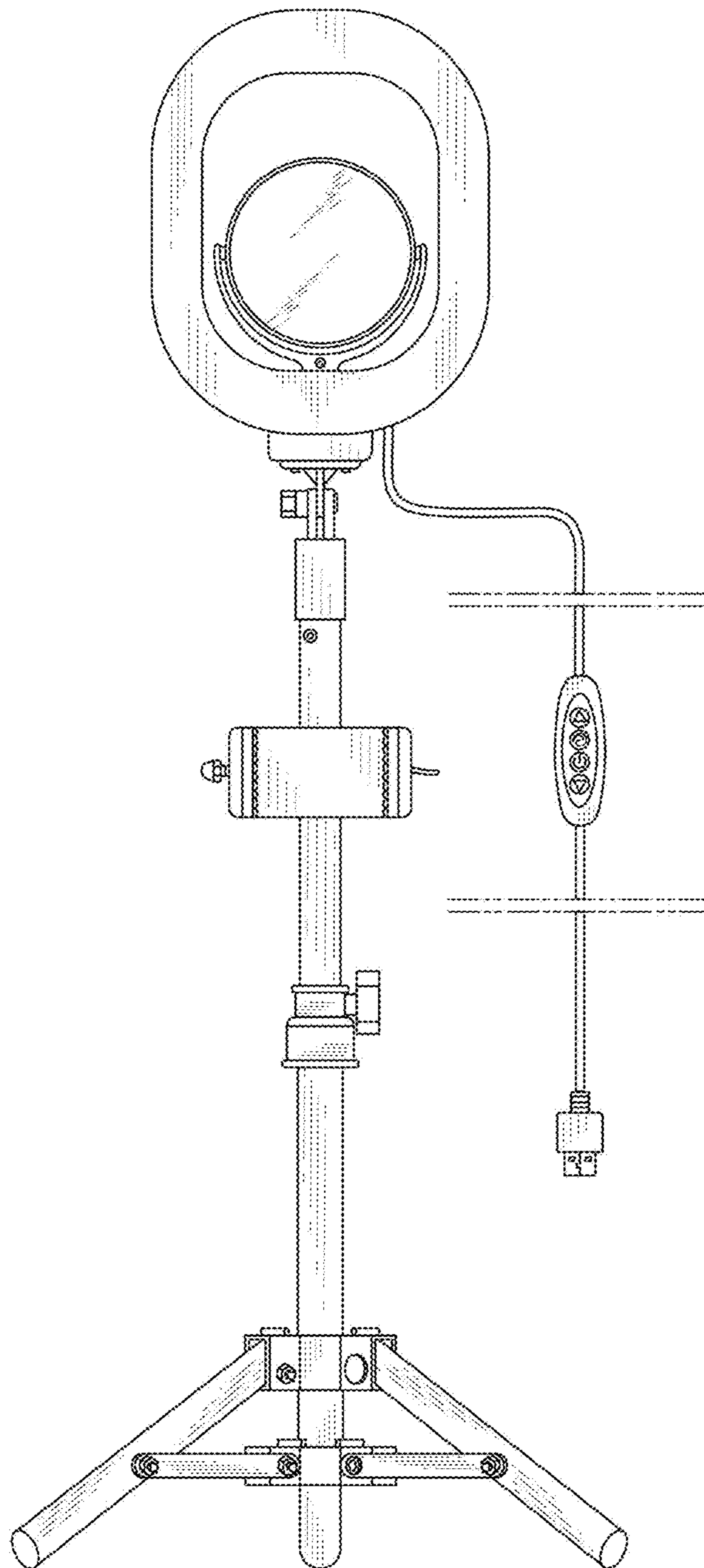


FIG.2

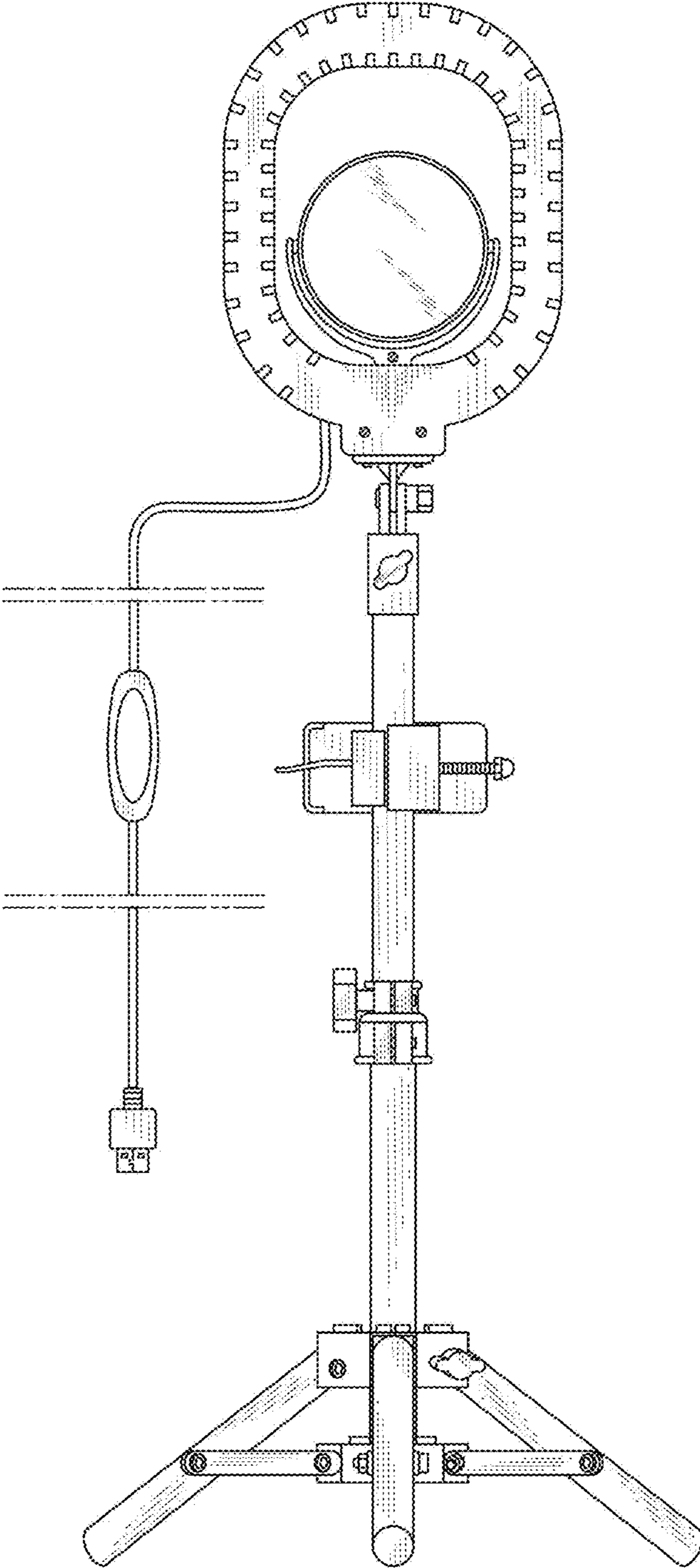


FIG.3

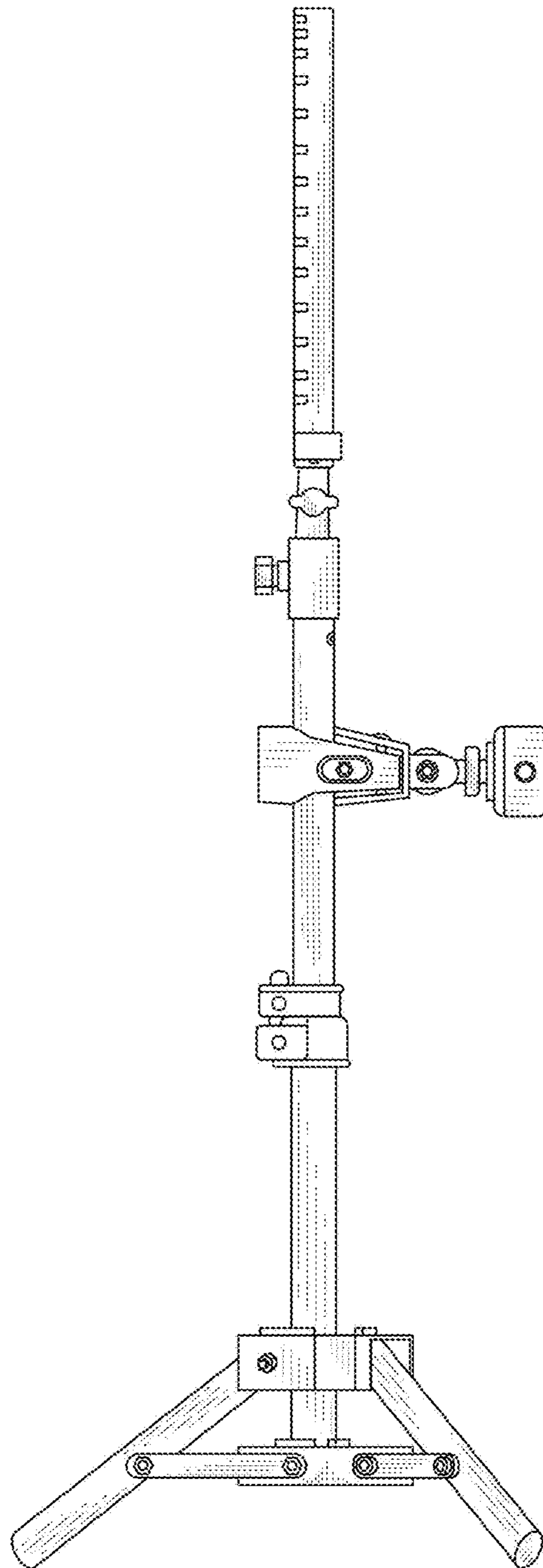


FIG.4

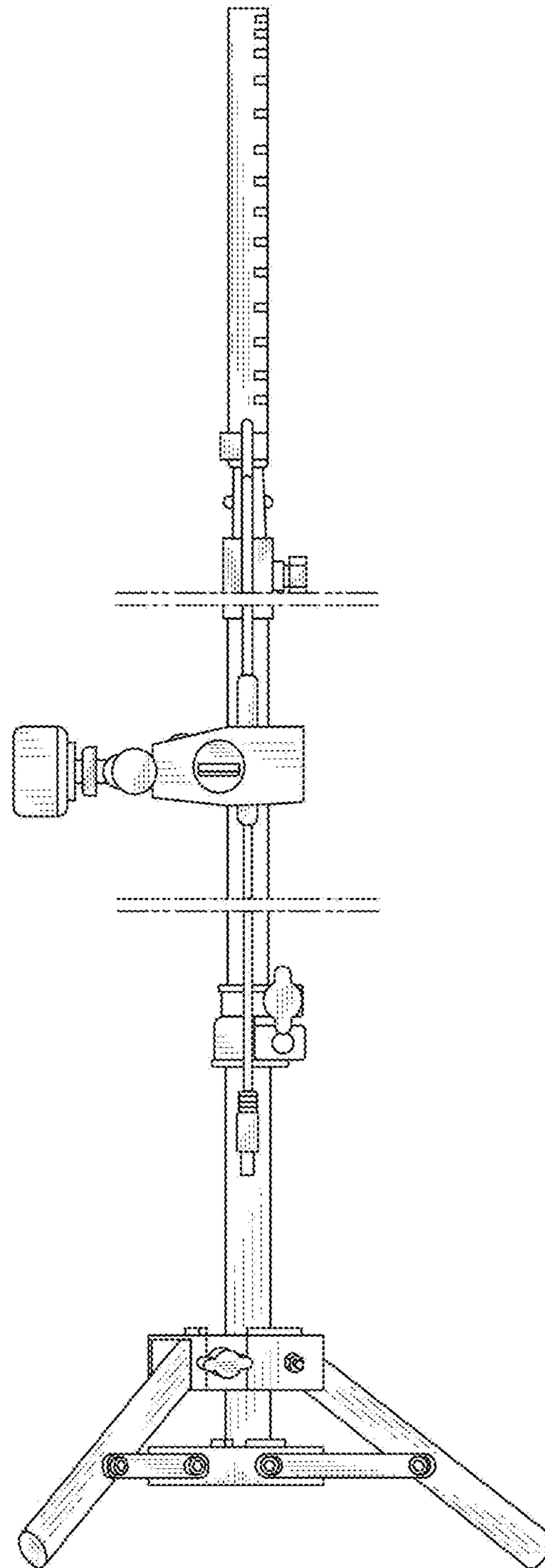


FIG.5

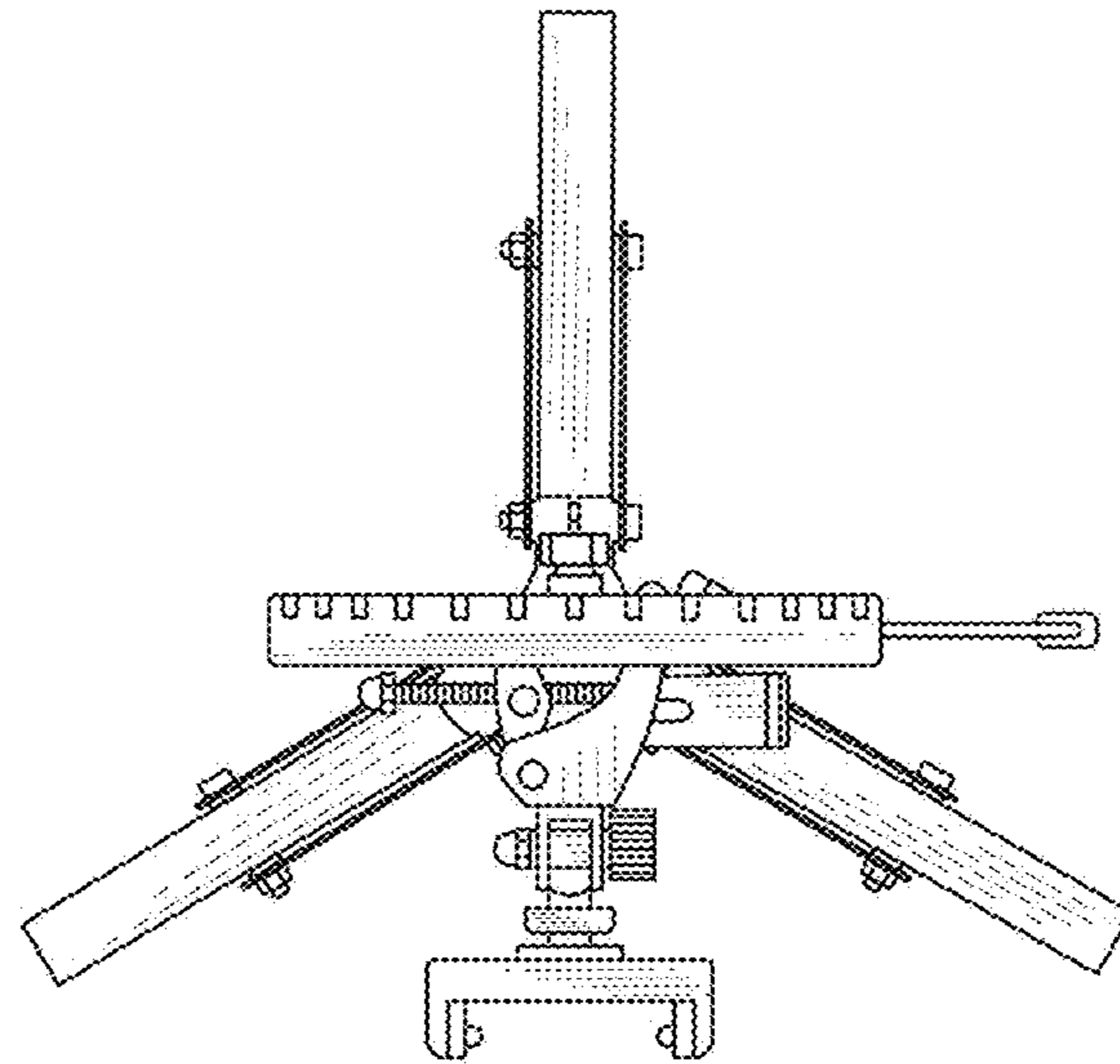


FIG.6

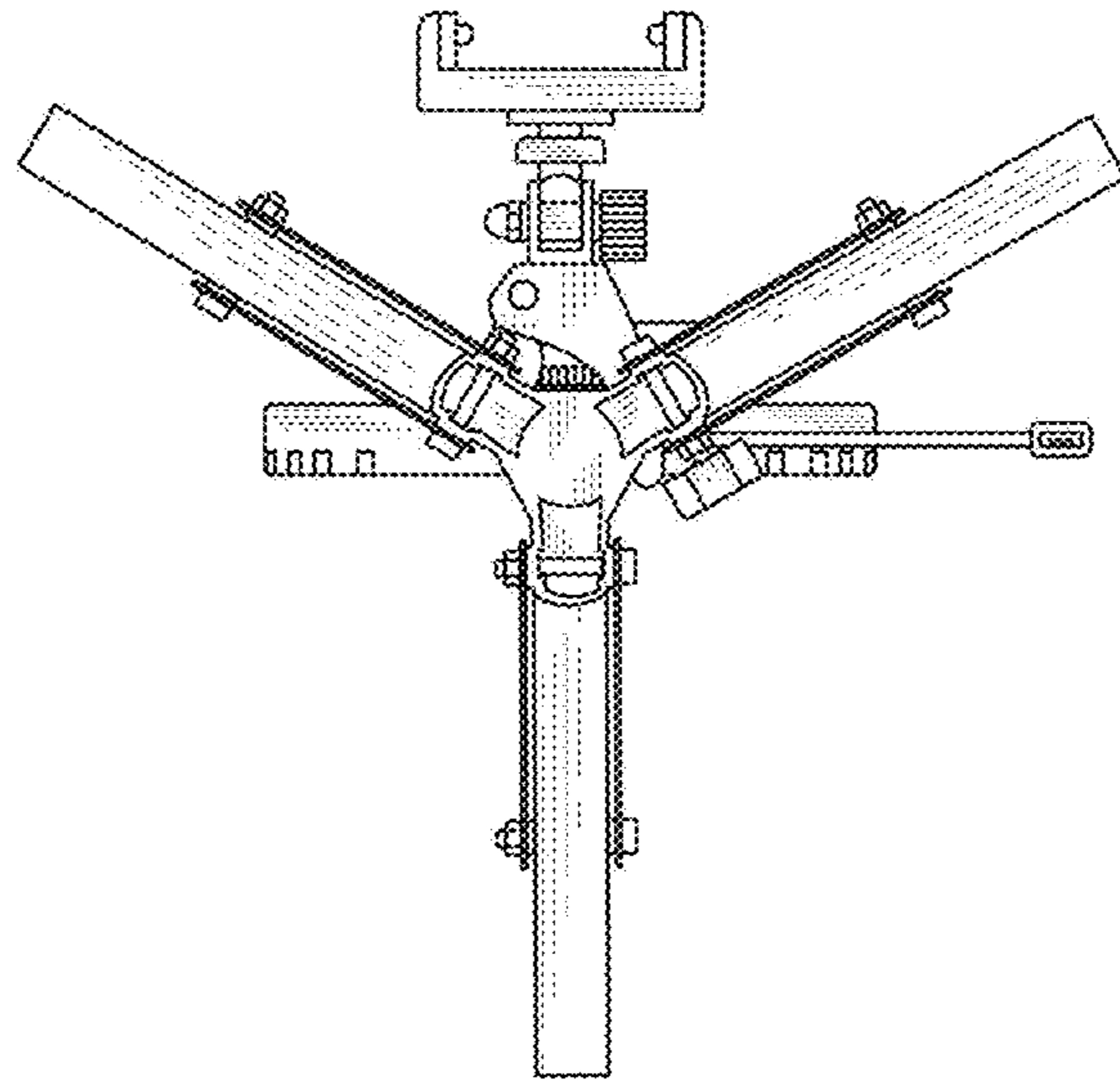


FIG.7