



US00D887049S

(12) **United States Design Patent**  
**Lin**

(10) **Patent No.:** **US D887,049 S**  
(45) **Date of Patent:** **\*\* Jun. 9, 2020**

- (54) **AUTOMOBILE HEADLIGHT**
- (71) Applicant: **Chi-Chung Lin**, Hsinchu (TW)
- (72) Inventor: **Chi-Chung Lin**, Hsinchu (TW)
- (\*\*) Term: **15 Years**
- (21) Appl. No.: **29/706,358**
- (22) Filed: **Sep. 19, 2019**
- (51) **LOC (12) Cl.** ..... **26-06**
- (52) **U.S. Cl.**  
USPC ..... **D26/28**
- (58) **Field of Classification Search**  
USPC ..... D26/28, 29, 30, 31, 32, 33, 34, 35, 36;  
362/459-468, 475-478, 485-487  
CPC ..... F21S 48/00; F21S 48/10; F21S 48/115;  
F21S 48/225; F21S 48/1233; F21S  
48/1266; F21S 48/1388; F21S 48/2268;  
F21V 21/04  
See application file for complete search history.

D765,282 S *	8/2016	Lai	.....	D26/28
D792,619 S	7/2017	Wu		
D807,547 S	1/2018	Lin		
D807,549 S	1/2018	Lin		
D815,768 S	4/2018	Park		
D820,482 S *	6/2018	Huang	.....	D26/28
D832,476 S	10/2018	Yang		
D842,510 S *	3/2019	Kang	.....	D26/28
D851,301 S *	6/2019	Lin	.....	D26/28
D851,302 S *	6/2019	Lin	.....	D26/28
D853,000 S *	7/2019	Lin	.....	D26/28
D855,848 S *	8/2019	Lai	.....	D26/28
D857,258 S *	8/2019	Lin	.....	D26/28
2014/0192548 A1	7/2014	Kracker		

\* cited by examiner

*Primary Examiner* — Angela J Lee

(74) *Attorney, Agent, or Firm* — Alexander Chen, Esq.

(57) **CLAIM**

The ornamental design for an automobile headlight, as shown and described.

**DESCRIPTION**

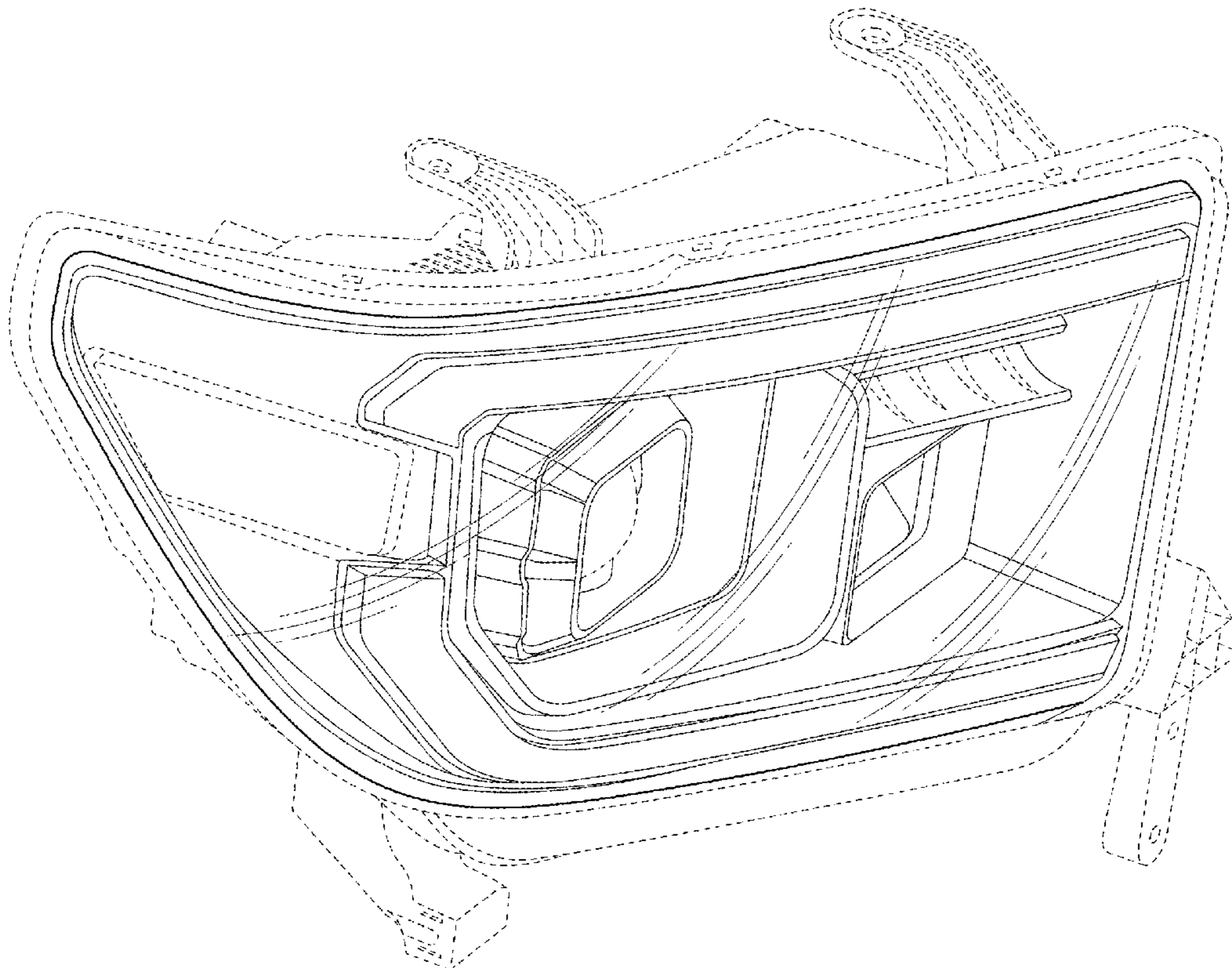
FIG. 1 is a perspective view of an automobile headlight; FIG. 2 is a front view thereof; and, FIG. 3 is a side view thereof.

The broken lines are included to show environmental structure and form no part of the claimed design. The drawings and descriptions represent the left side embodiment. The claim is also for a mirror image right side embodiment.

**1 Claim, 3 Drawing Sheets**

(56) **References Cited**  
U.S. PATENT DOCUMENTS

D588,724 S	3/2009	Hsu		
D637,323 S *	5/2011	Yang	.....	D26/28
D658,320 S *	4/2012	Goplen	.....	D26/28
D678,567 S *	3/2013	Lai	.....	D26/28
D685,937 S *	7/2013	Suzuki	.....	D26/28
D686,356 S *	7/2013	Morgenstern	.....	D26/28



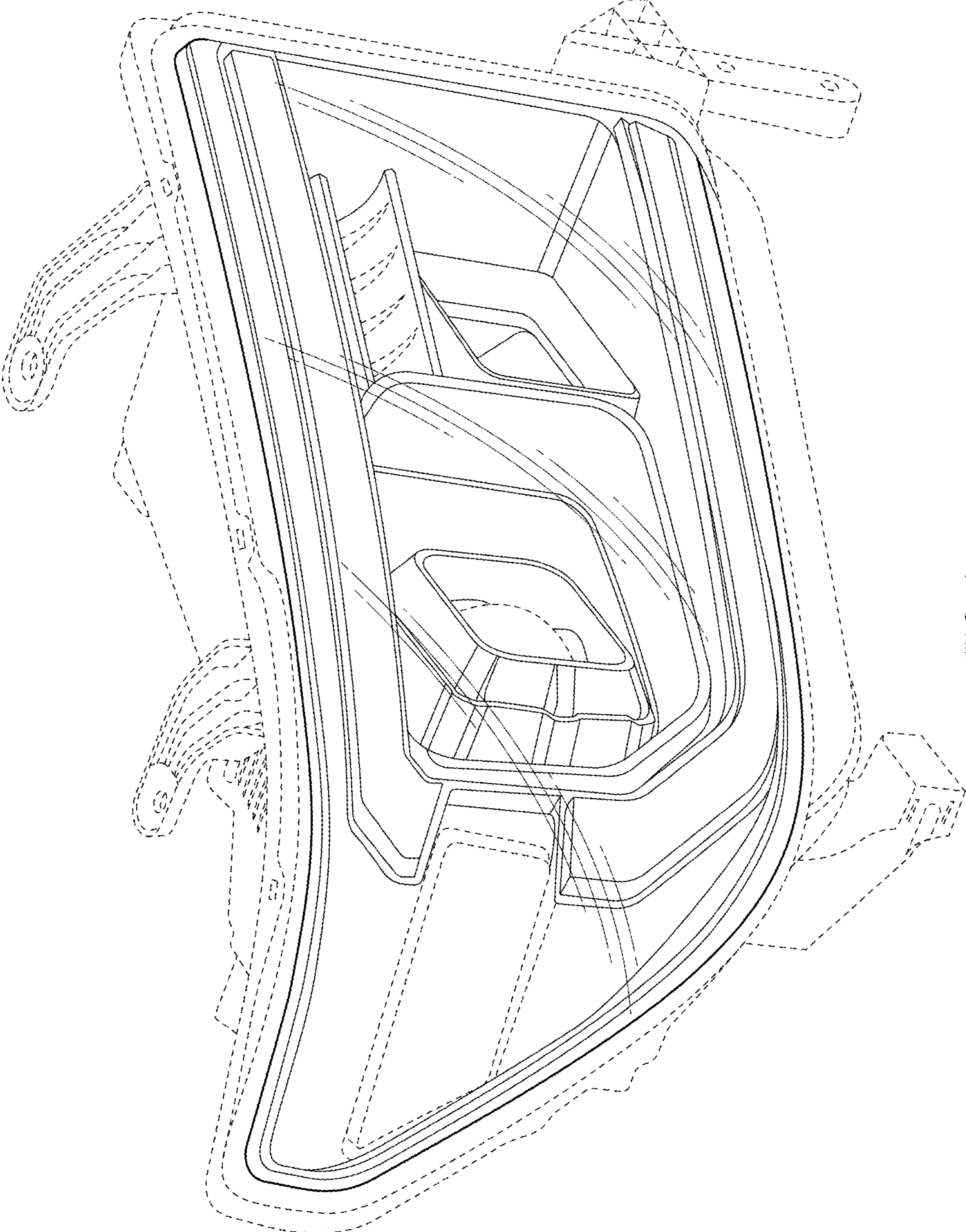


FIG. 1

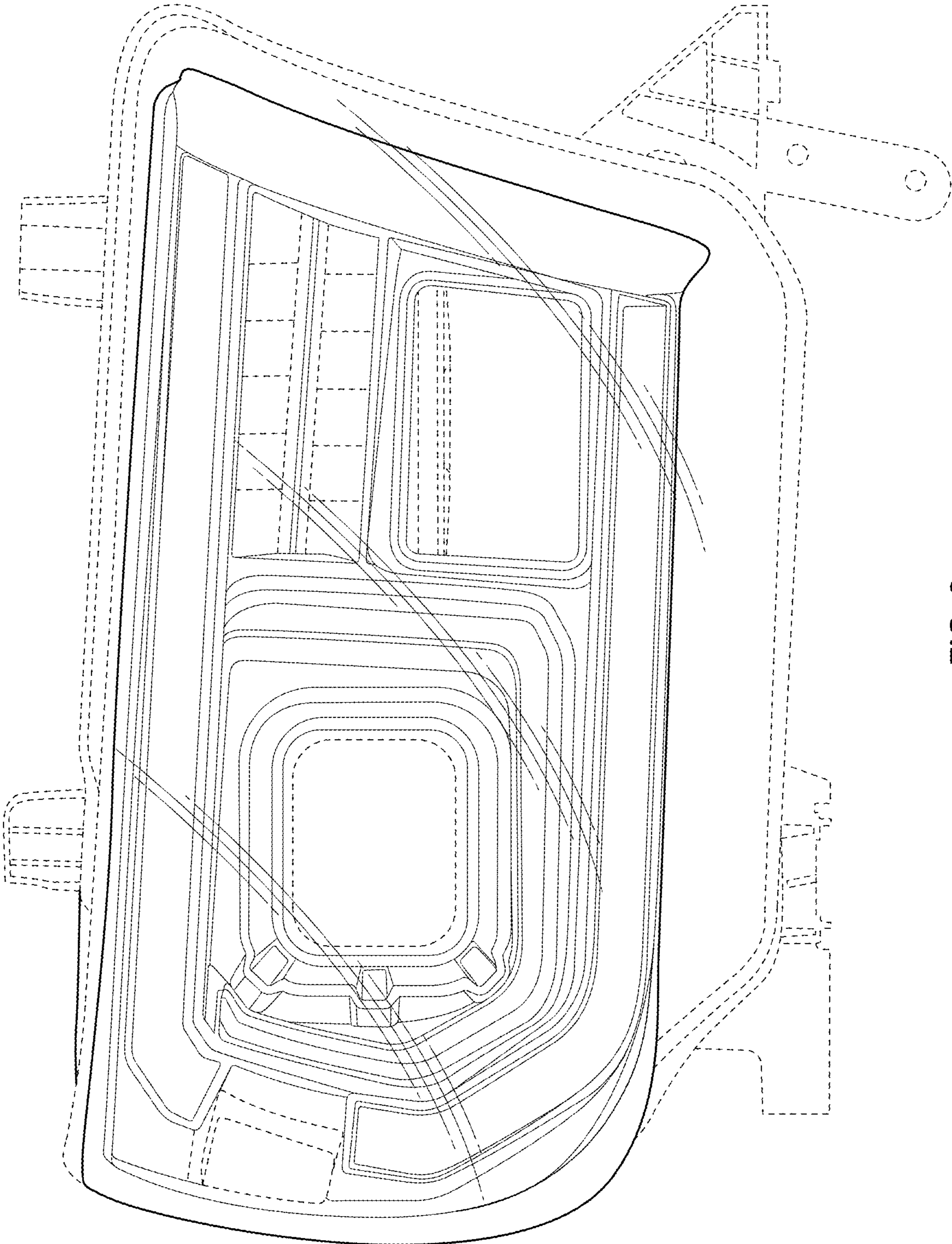


FIG. 2

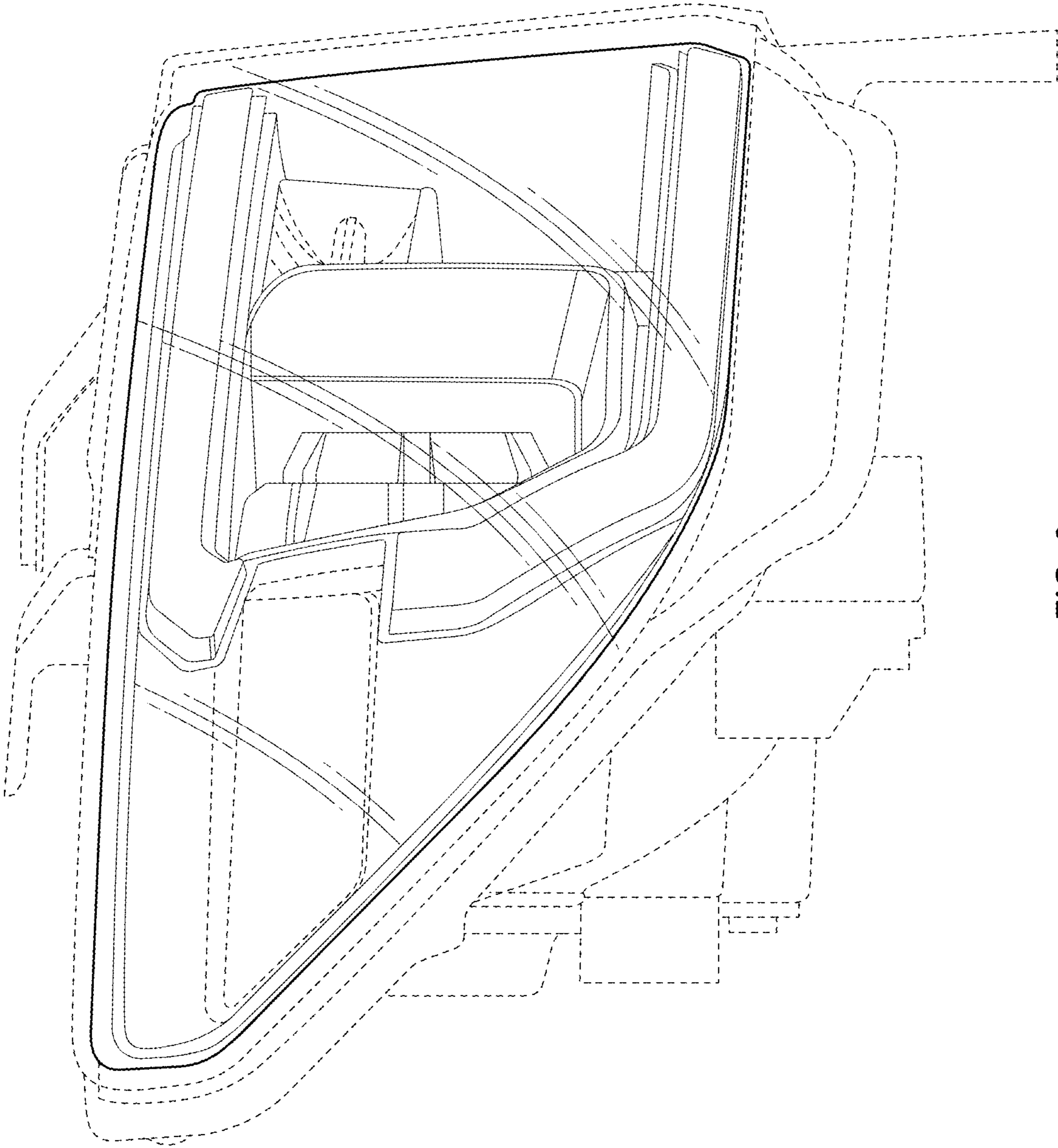


FIG. 3