



US00D887047S

(12) **United States Design Patent**
Wang et al.

(10) **Patent No.:** **US D887,047 S**
(45) **Date of Patent:** **** Jun. 9, 2020**

(54) **VEHICLE TAIL LIGHT**

(56) **References Cited**

(71) Applicant: **CH-AUTO TECHNOLOGY CO., LTD.**, Beijing (CN)

U.S. PATENT DOCUMENTS

(72) Inventors: **Kejian Wang**, Beijing (CN); **Julien Stephane Monborgne**, Beijing (CN)

D681,245 S	*	4/2013	Colborne	D26/28
D710,523 S	*	8/2014	Kaneda	D26/28
D713,572 S	*	9/2014	Campbell	D26/28
D763,487 S	*	8/2016	Kwon	D26/28
D846,773 S	*	4/2019	Keskin	D26/28
D846,774 S	*	4/2019	Keskin	D26/28

(73) Assignee: **CH-AUTO TECHNOLOGY CO., LTD.**, Beijing (CN)

* cited by examiner

(**) Term: **15 Years**

Primary Examiner — Marcus A Jackson

(21) Appl. No.: **29/678,378**

(74) *Attorney, Agent, or Firm* — Hodgson Russ LLP

(22) Filed: **Jan. 28, 2019**

(57) **CLAIM**

The ornamental design for a vehicle tail light, as shown and described.

(30) **Foreign Application Priority Data**

DESCRIPTION

Jul. 30, 2018 (CN) 2018 3 0414086

(51) **LOC (12) Cl.** **26-06**

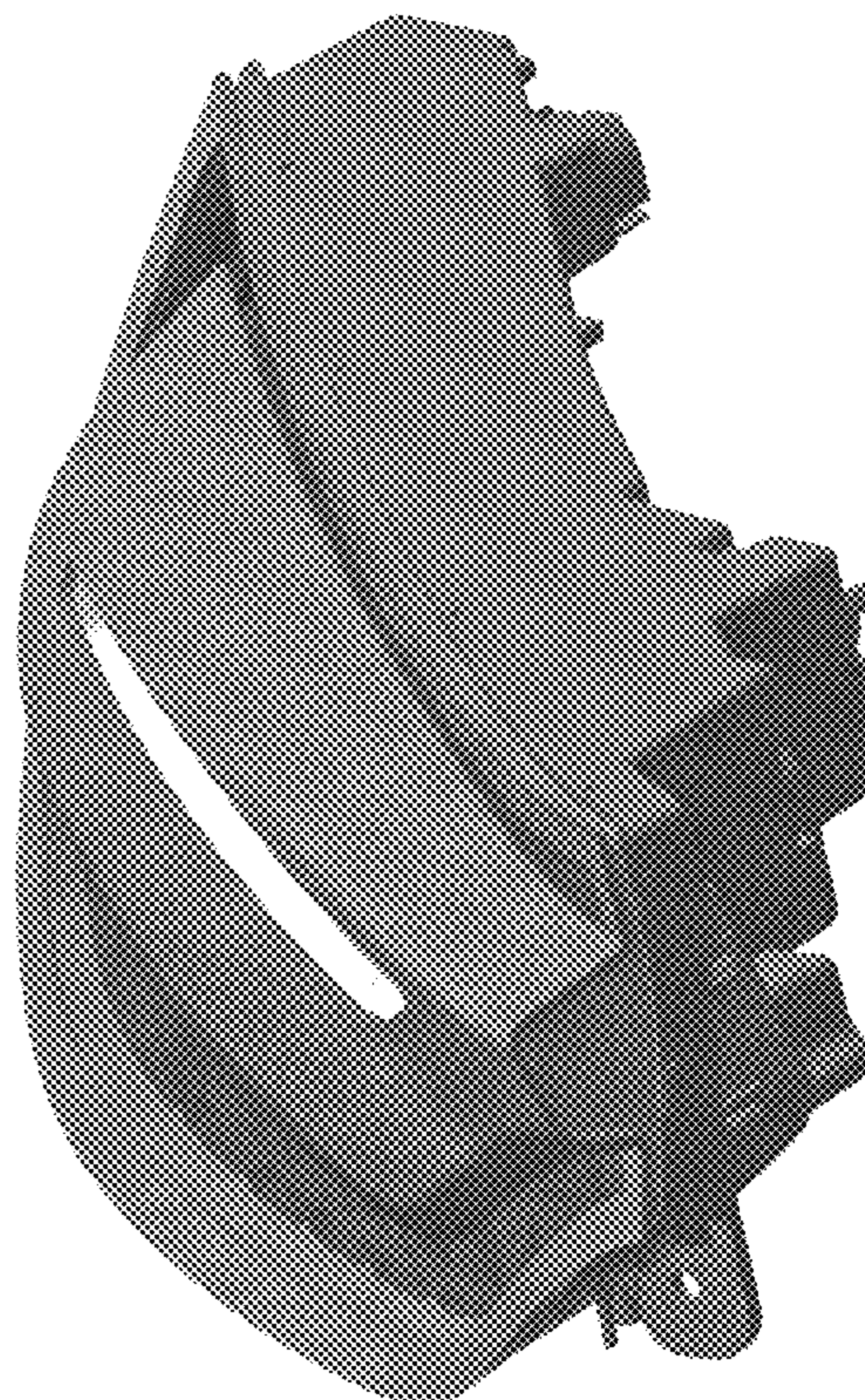
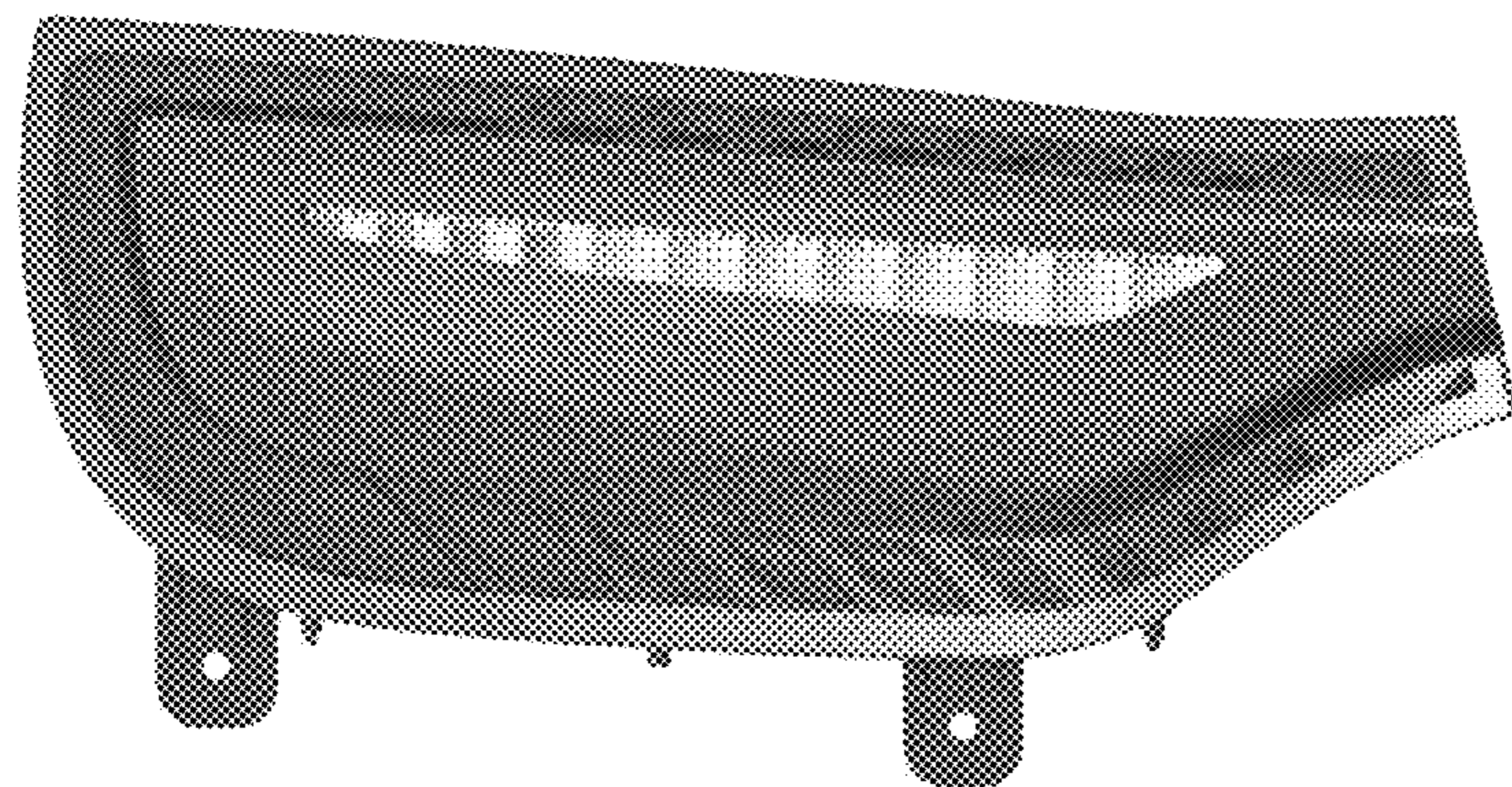
(52) **U.S. Cl.**
USPC **D26/28**

(58) **Field of Classification Search**
USPC D26/28-36, 139
CPC F21S 48/00; F21S 48/10; F21S 48/115;
F21S 48/225; F21S 48/1233; F21S 48/1266; F21S 48/1388; F21S 48/2268;
F21V 21/04; F21V 29/004; B60Q 9/13;
B60Q 9/135; B60Q 9/1375

FIG. 1 is a front elevation view of a vehicle tail light, showing our new design;
FIG. 2 is a rear elevation view thereof;
FIG. 3 is a right side elevation view thereof;
FIG. 4 is a left side elevation view thereof;
FIG. 5 is a top plan view thereof;
FIG. 6 is a bottom plan view thereof;
FIG. 7 is a front-top-left perspective view thereof;
FIG. 8 is a front-top-right perspective view thereof;
FIG. 9 is a front-bottom perspective view thereof;
FIG. 10 is a front-bottom-left perspective view thereof; and,
FIG. 11 is a front-top-right perspective view thereof.

See application file for complete search history.

1 Claim, 8 Drawing Sheets



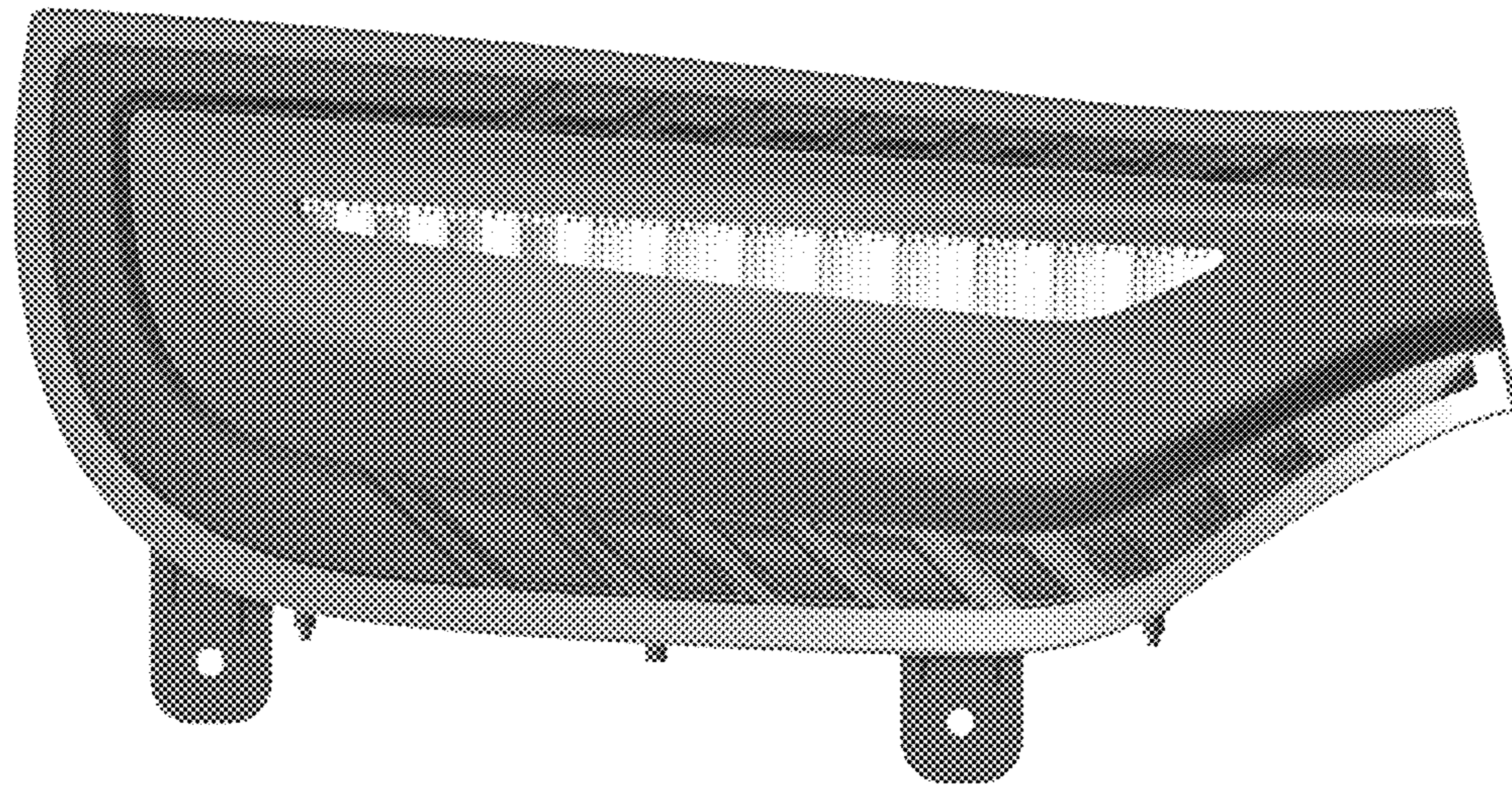


Fig. 1

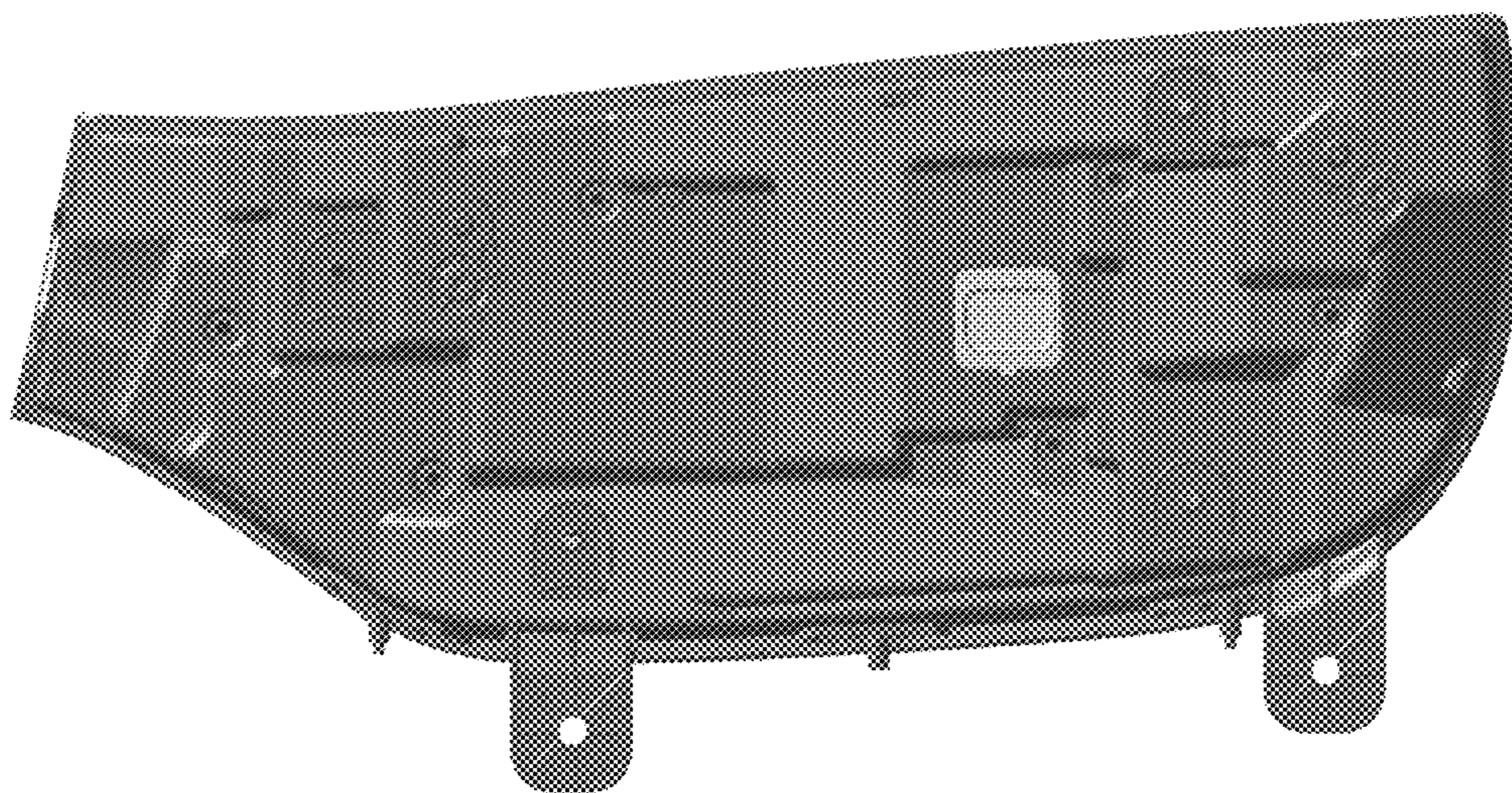


Fig. 2

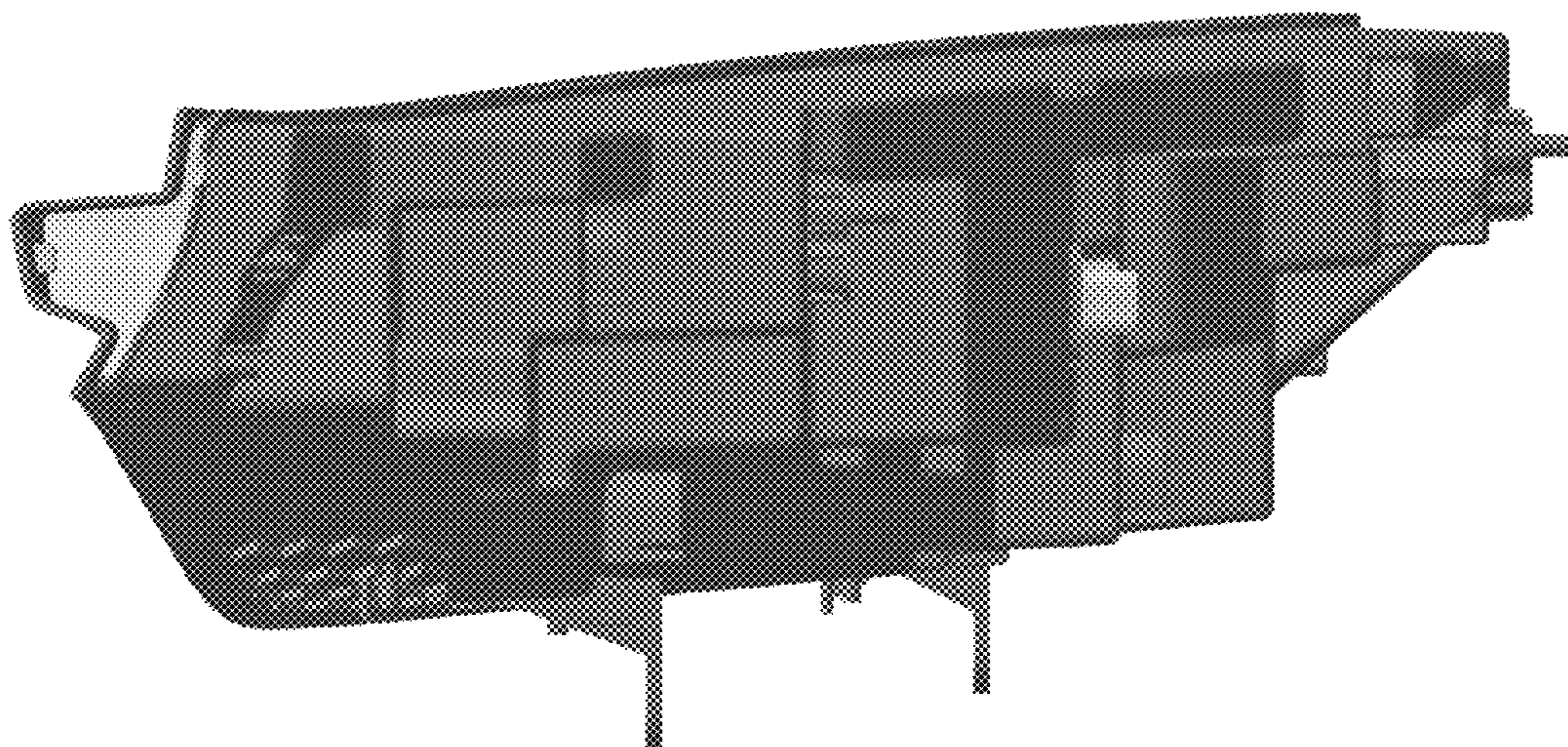


Fig. 3

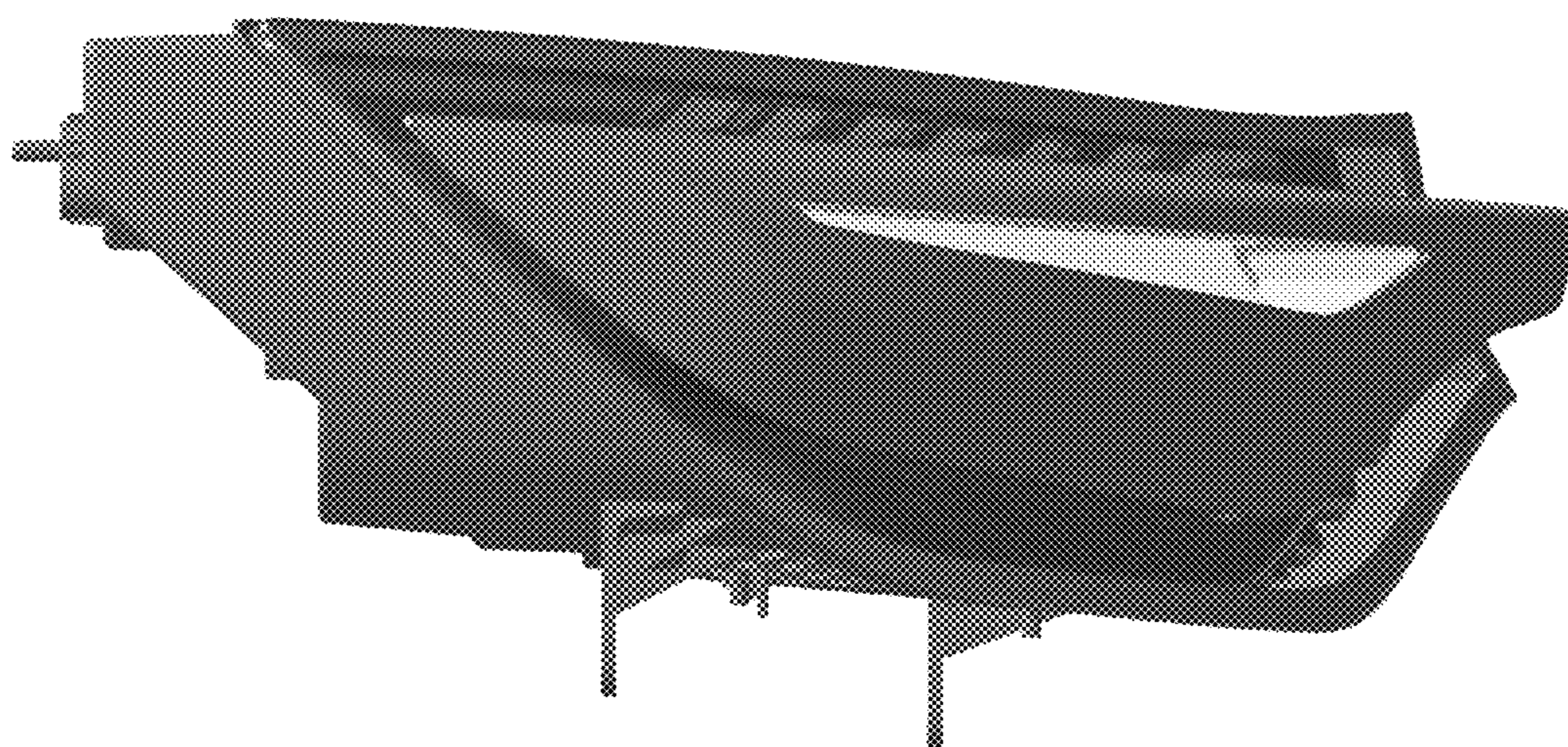


Fig. 4

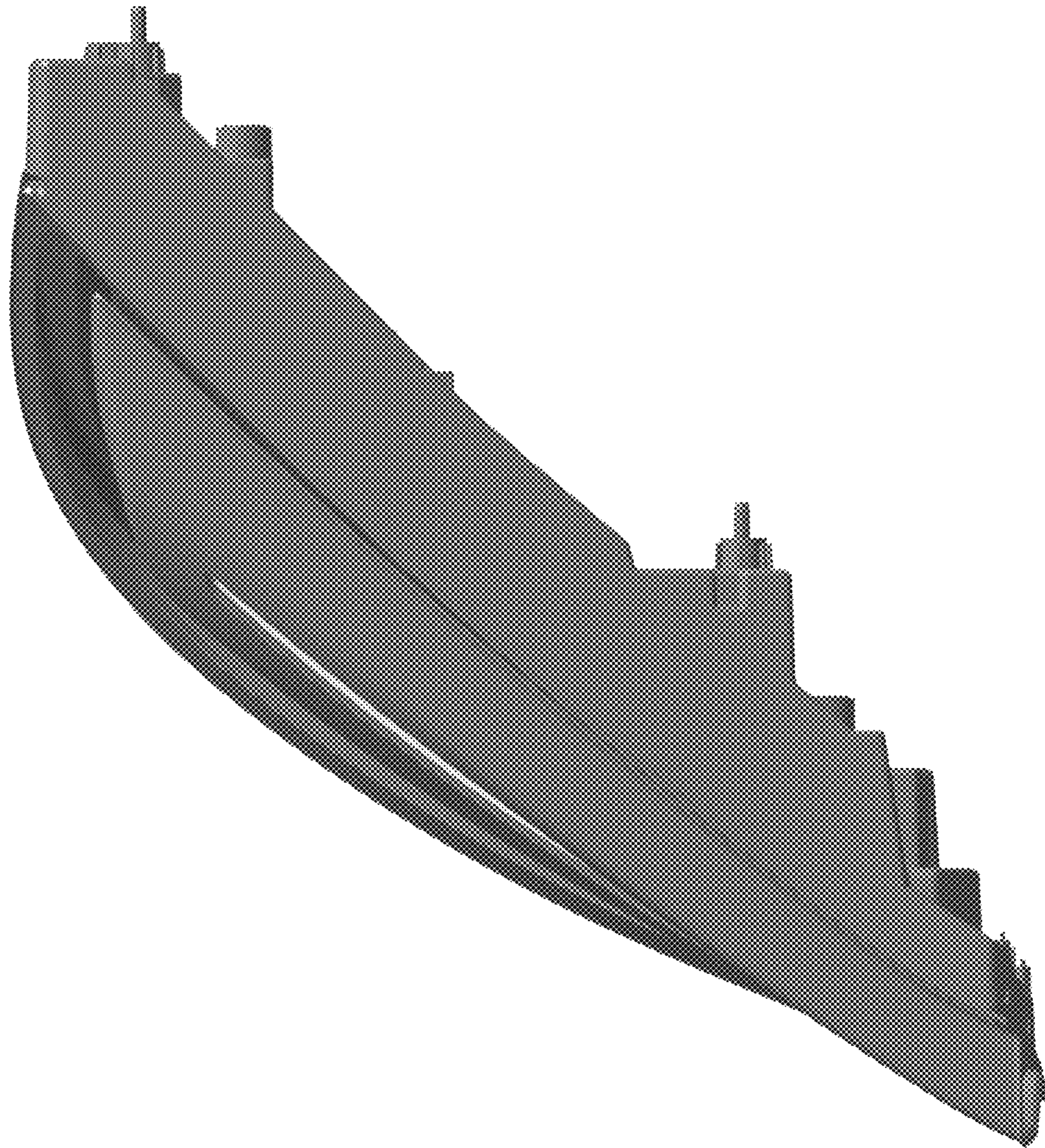


Fig. 5

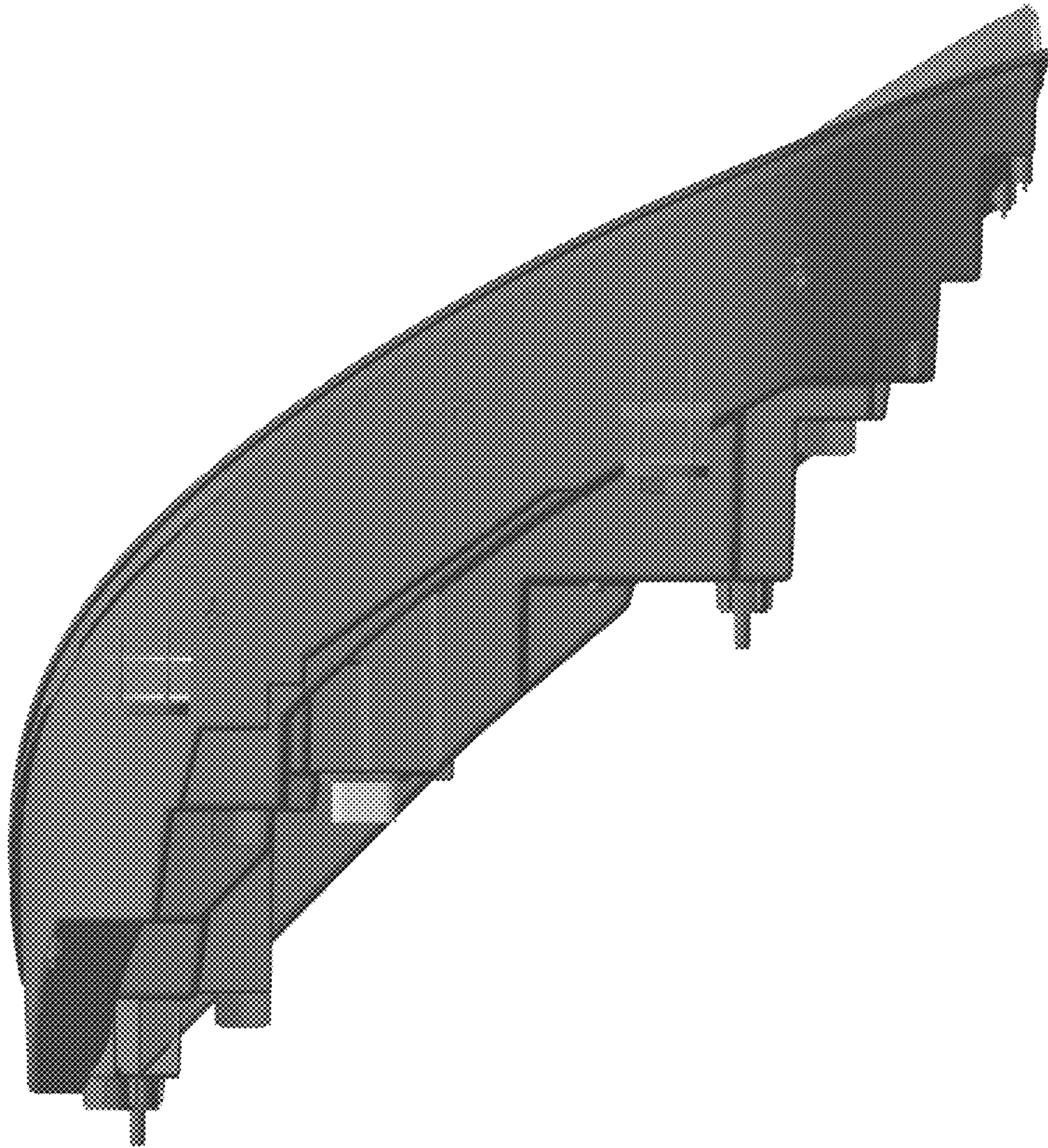


Fig. 6

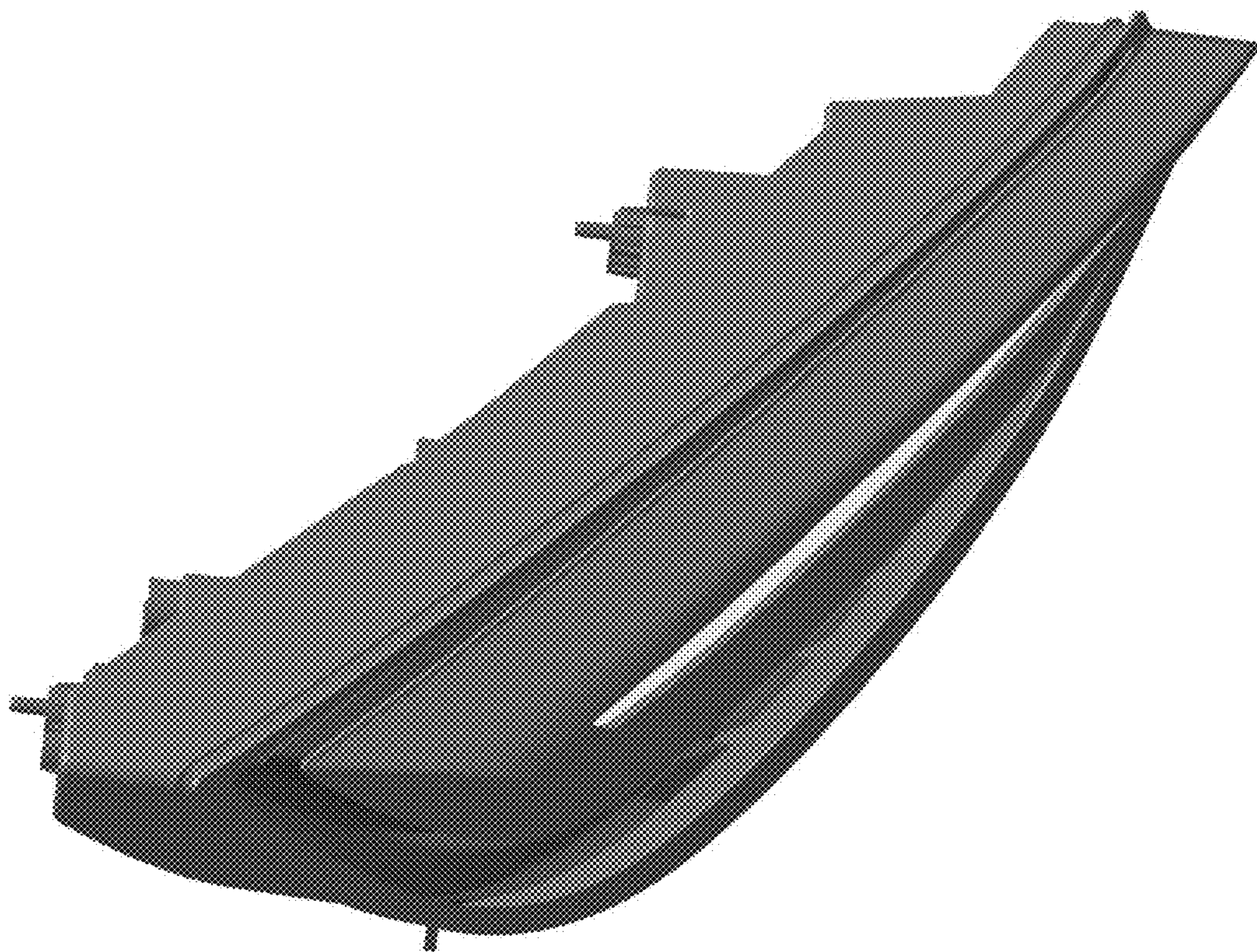


Fig. 7

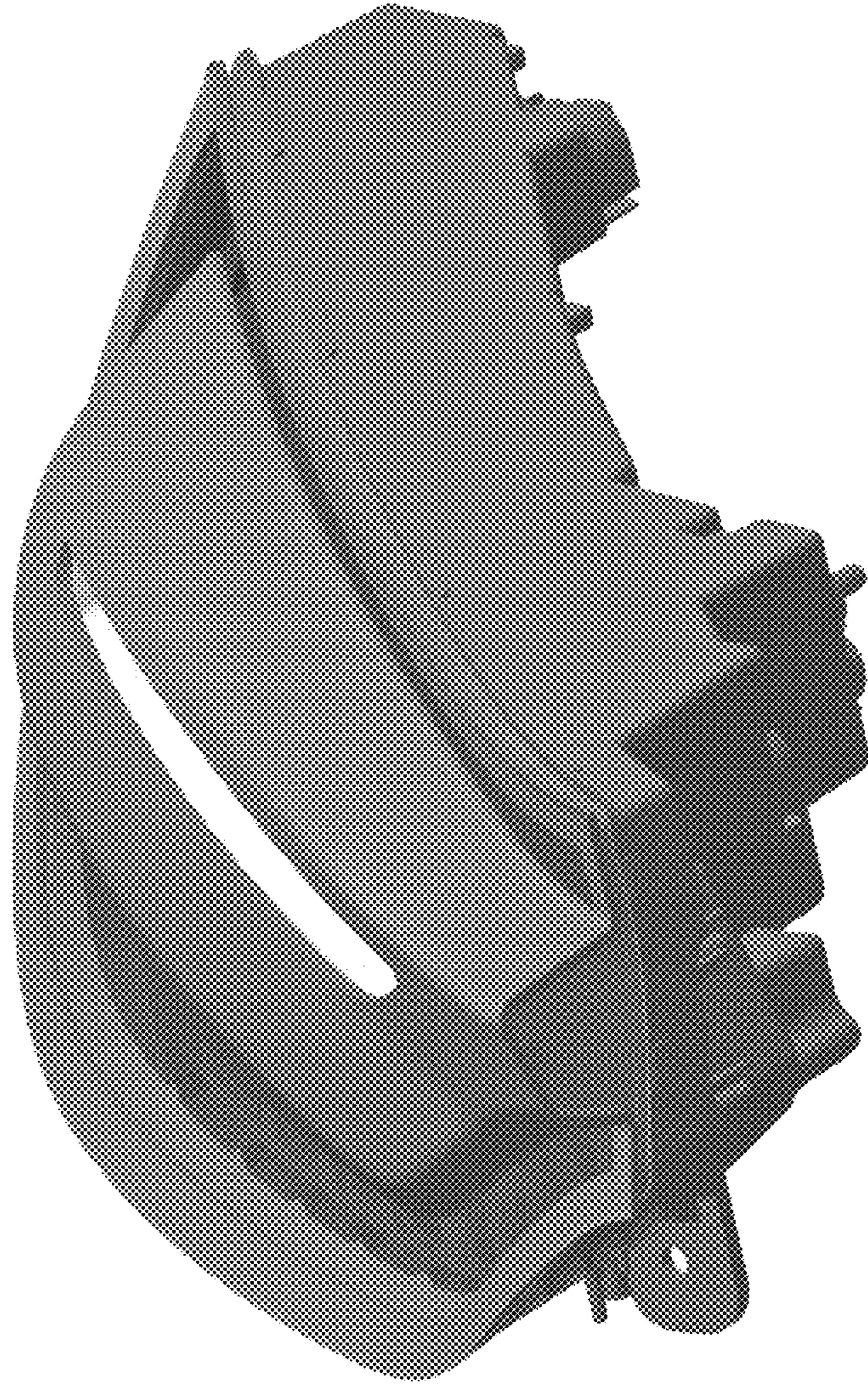


Fig. 8

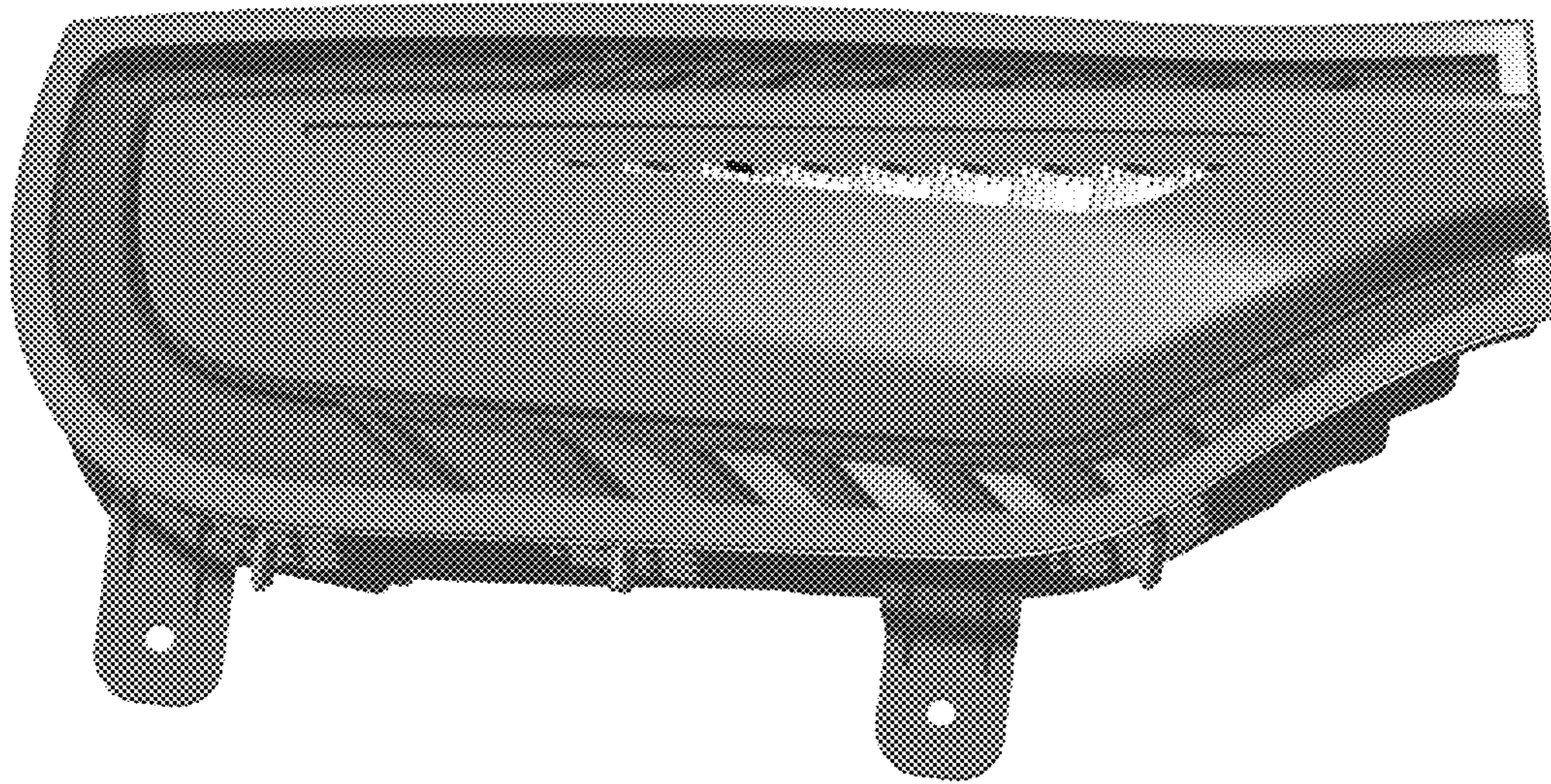


Fig. 9

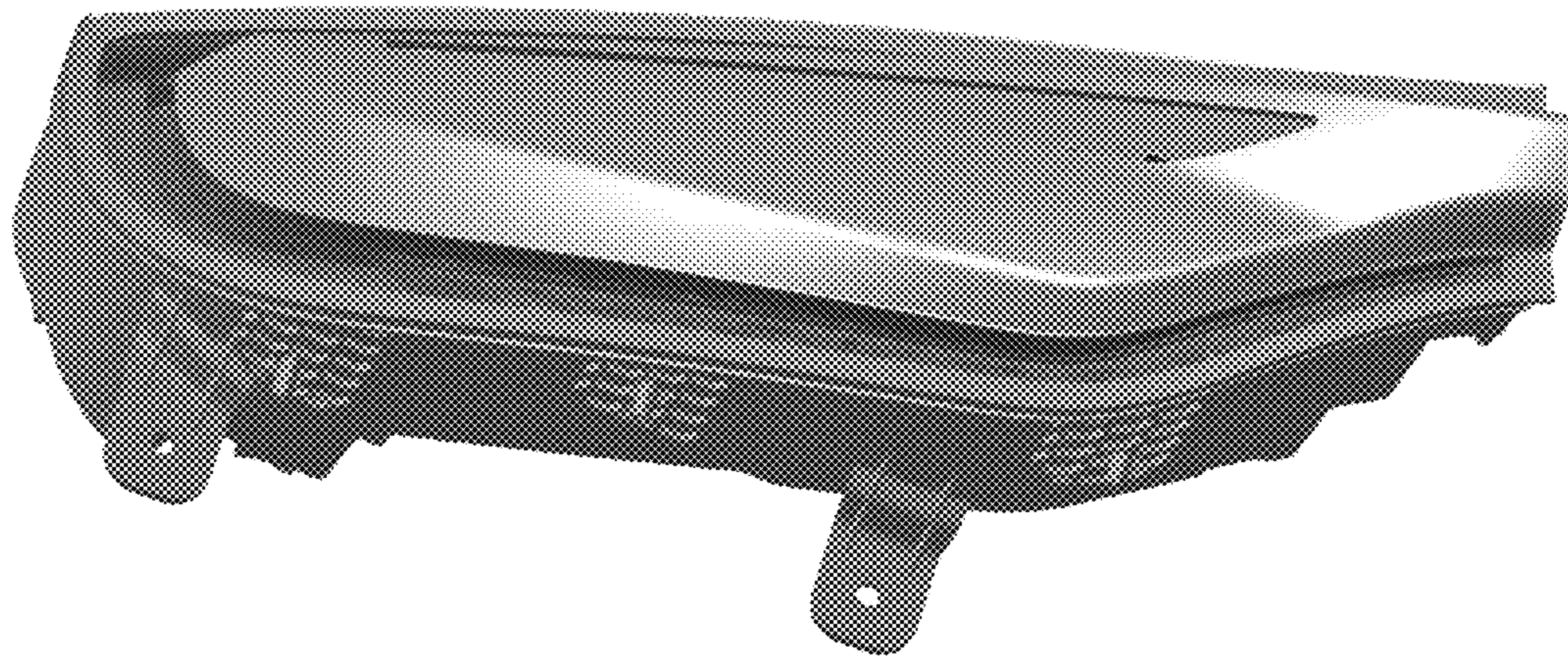


Fig. 10

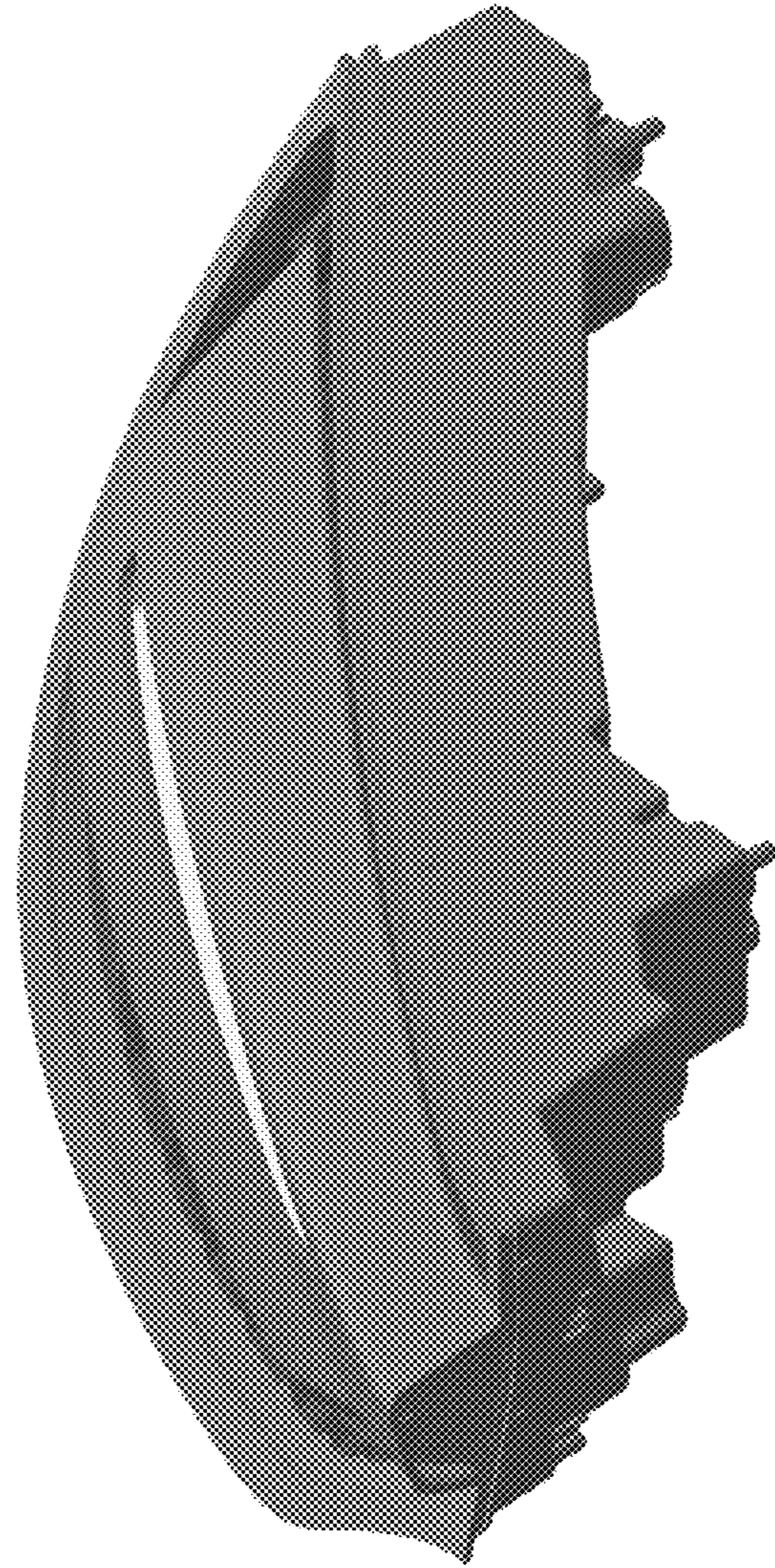


Fig. 11