



US00D887044S

(12) **United States Design Patent**
Lin

(10) **Patent No.:** **US D887,044 S**
(45) **Date of Patent:** **** Jun. 9, 2020**

- (54) **AUTOMOBILE BACK LIGHT**
- (71) Applicant: **Chi-Chung Lin**, Hsinchu (TW)
- (72) Inventor: **Chi-Chung Lin**, Hsinchu (TW)
- (**) Term: **15 Years**
- (21) Appl. No.: **29/676,221**
- (22) Filed: **Jan. 9, 2019**
- (51) **LOC (12) Cl.** **26-06**
- (52) **U.S. Cl.**
USPC **D26/28**
- (58) **Field of Classification Search**
USPC D26/28, 29, 30, 31, 32, 33, 34, 35, 36;
362/459-468, 475-478, 485-487
CPC F21S 48/00; F21S 48/10; F21S 48/115;
F21S 48/225; F21S 48/1233; F21S
48/1266; F21S 48/1388; F21S 48/2268;
F21V 21/04
See application file for complete search history.

| | | | | |
|--------------|---------|----------|-------|--------|
| D844,199 S * | 3/2019 | Lin | | D26/28 |
| D849,290 S * | 5/2019 | Lin | | D26/28 |
| D857,263 S * | 8/2019 | Goodrich | | D26/28 |
| D857,264 S * | 8/2019 | Goodrich | | D26/28 |
| D866,818 S * | 11/2019 | Lindholm | | D26/28 |

* cited by examiner

Primary Examiner — Angela J Lee

(74) *Attorney, Agent, or Firm* — Alexander Chen, Esq.

(57) **CLAIM**

The ornamental design for an automobile back light, as shown and described.

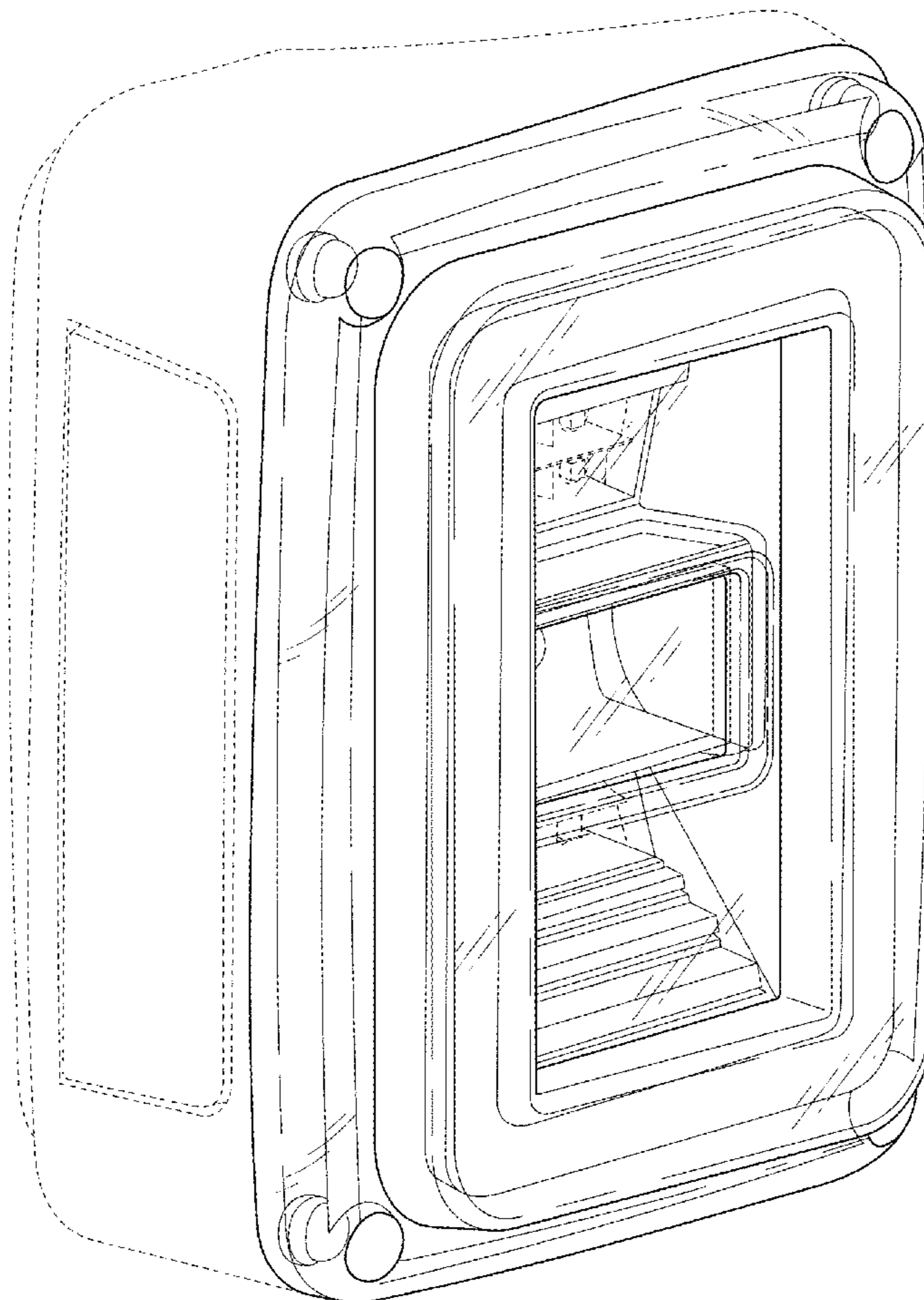
DESCRIPTION

FIG. 1 is a perspective view of an automobile back light; and,
 FIG. 2 is a front view thereof.
 The broken lines are included to show environmental structure and form no part of the claimed design. The drawings and descriptions represent the left side embodiment. The claim is also for a mirror image right side embodiment.

(56) **References Cited**
 U.S. PATENT DOCUMENTS

| | | | | |
|--------------|--------|------|-------|--------|
| D765,285 S * | 8/2016 | Lai | | D26/28 |
| D842,503 S * | 3/2019 | Yang | | D26/28 |

1 Claim, 2 Drawing Sheets



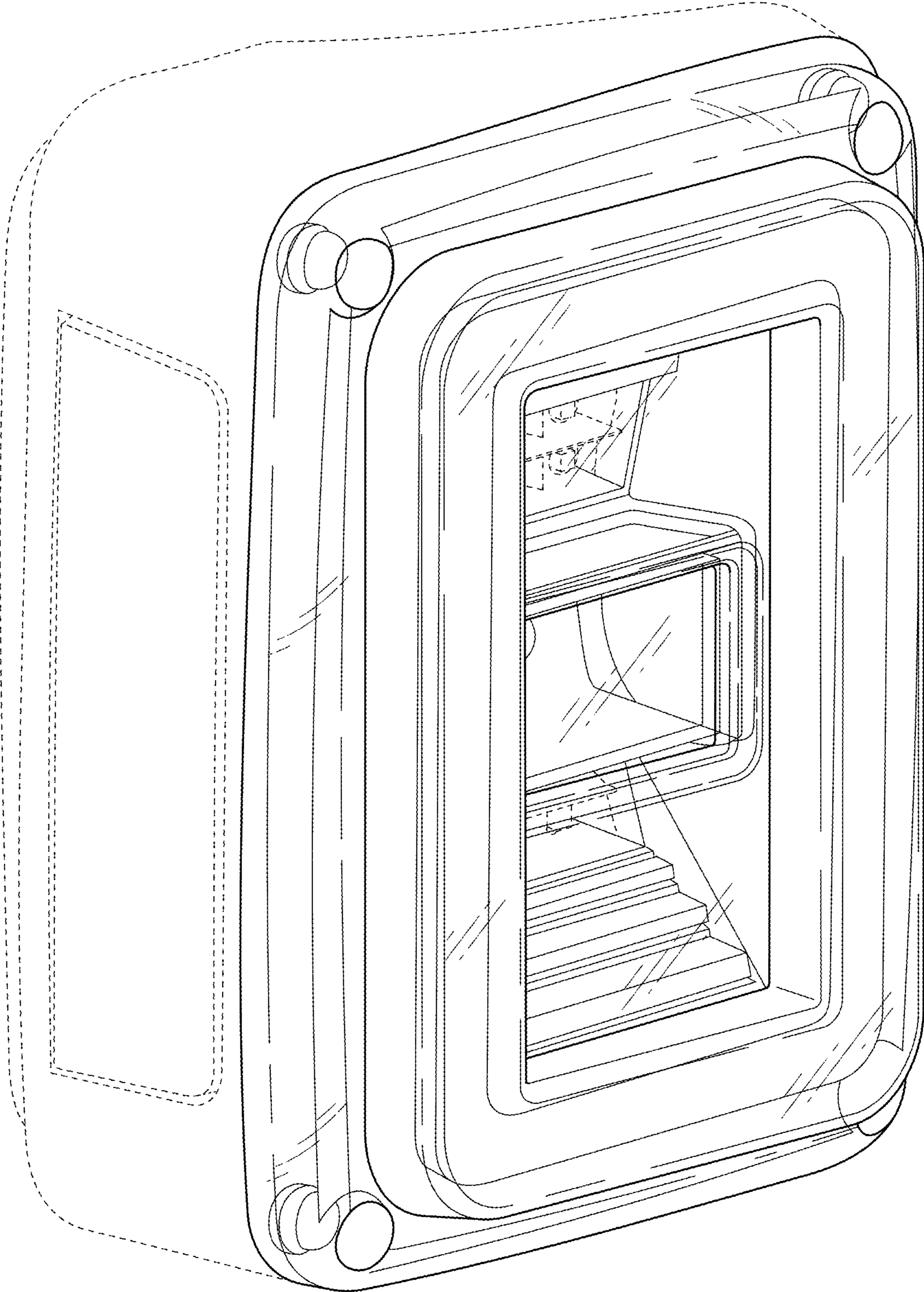


FIG. 1

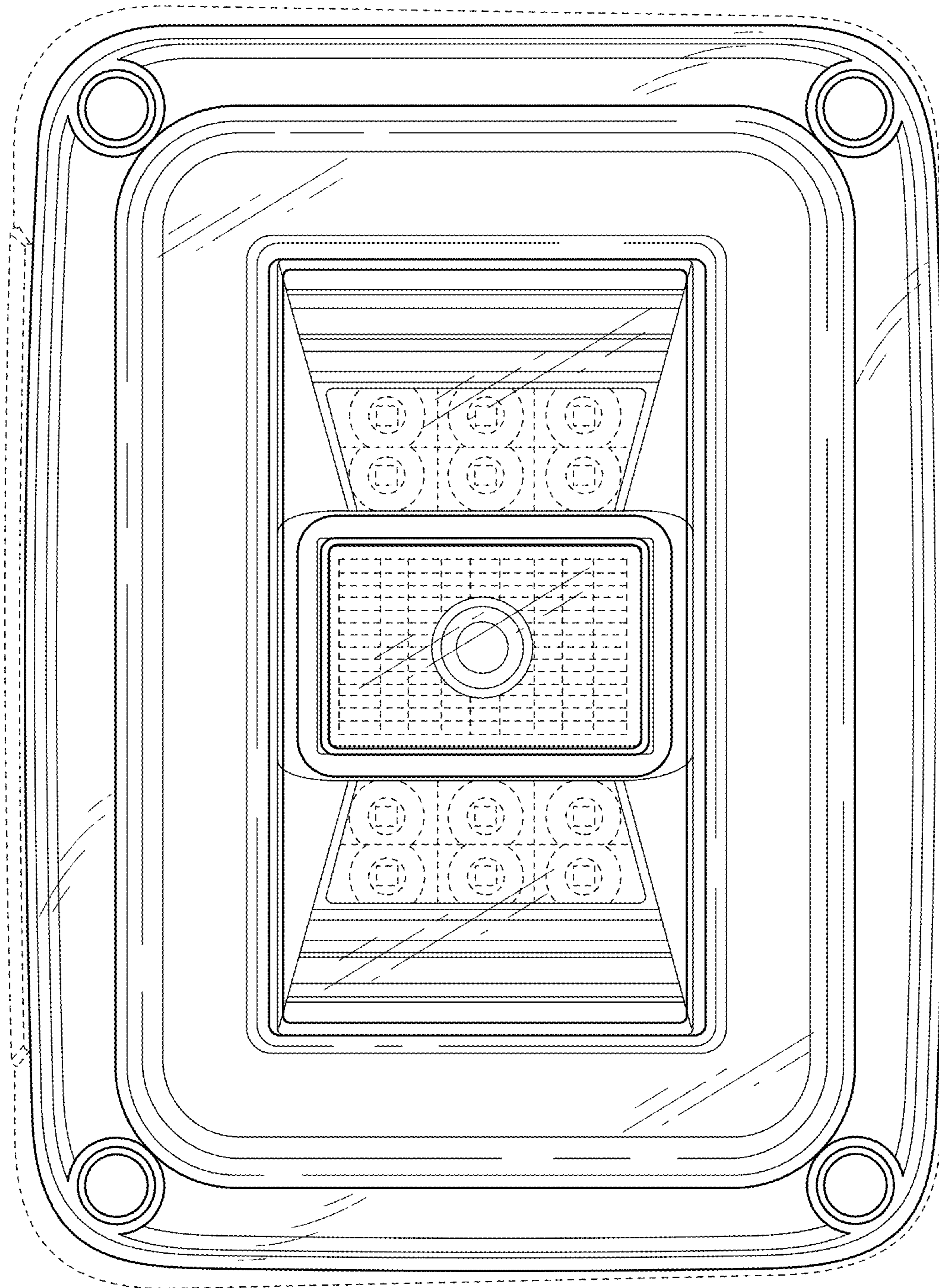


FIG. 2