



US00D887043S

(12) **United States Design Patent** (10) **Patent No.:** **US D887,043 S**  
**Ye** (45) **Date of Patent:** **\*\* Jun. 9, 2020**

(54) **DRIVING LAMP FOR GOLF CART**

(56) **References Cited**

(71) Applicant: **CHONGQING RICHLAND MOLD CORP.**, Chongqing (CN)

U.S. PATENT DOCUMENTS

(72) Inventor: **Lin Ye**, Chongqing (CN)

D490,172 S *	5/2004	Yamamoto .....	D26/28
D564,683 S *	3/2008	Roach .....	D26/28
D626,670 S *	11/2010	Metzger .....	D26/28
D688,400 S *	8/2013	Haumann .....	D26/28
D716,477 S *	10/2014	Chu .....	D26/28
D718,478 S *	11/2014	Adams .....	D26/28

(73) Assignee: **CHONGQING RICHLAND MOLD CORP.**, Chongqing (CN)

\* cited by examiner

(\*\*) Term: **15 Years**

*Primary Examiner* — Marcus A Jackson

(21) Appl. No.: **29/672,013**

(74) *Attorney, Agent, or Firm* — Cheng-Ju Chiang

(22) Filed: **Nov. 30, 2018**

(57) **CLAIM**

(30) **Foreign Application Priority Data**

The ornamental design for a driving lamp for golf cart, as shown and described.

Oct. 16, 2018 (CN) ..... 2018 3 0575784

**DESCRIPTION**

(51) **LOC (12) Cl.** ..... **26-06**

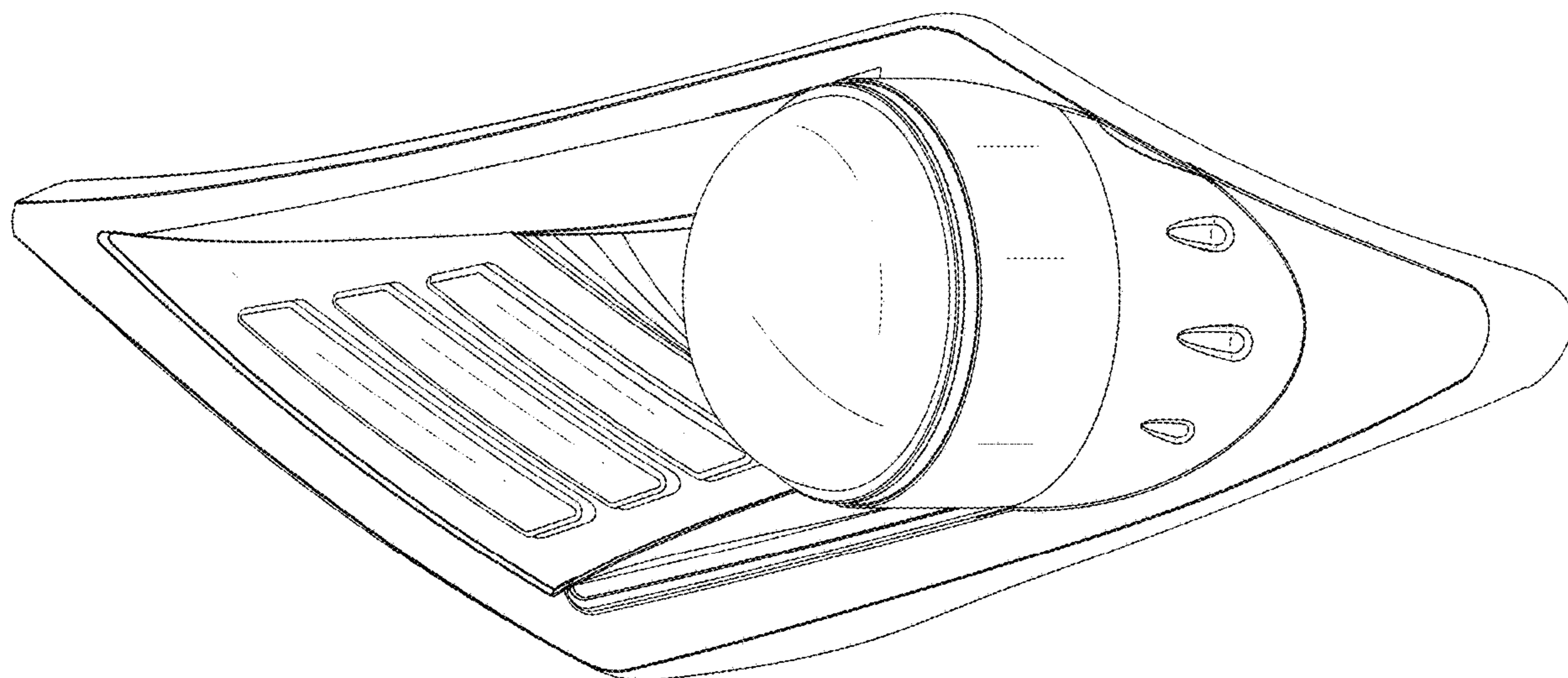
(52) **U.S. Cl.**  
USPC ..... **D26/28**

(58) **Field of Classification Search**  
USPC ..... D26/28-36, 139  
CPC ..... F21S 48/00; F21S 48/10; F21S 48/115;  
F21S 48/225; F21S 48/1233; F21S  
48/1266; F21S 48/1388; F21S 48/2268;  
F21V 21/04; B60Q 9/13; B60Q 9/135;  
B60Q 9/1375

FIG. 1 is a front, bottom and right perspective view of a driving lamp for golf cart showing my new design;  
FIG. 2 is a front elevational view thereof;  
FIG. 3 is a back elevational view thereof;  
FIG. 4 is a left side elevational view thereof;  
FIG. 5 is a right side elevational view thereof;  
FIG. 6 is a top plan view thereof; and,  
FIG. 7 is a bottom plan view thereof.

See application file for complete search history.

**1 Claim, 7 Drawing Sheets**



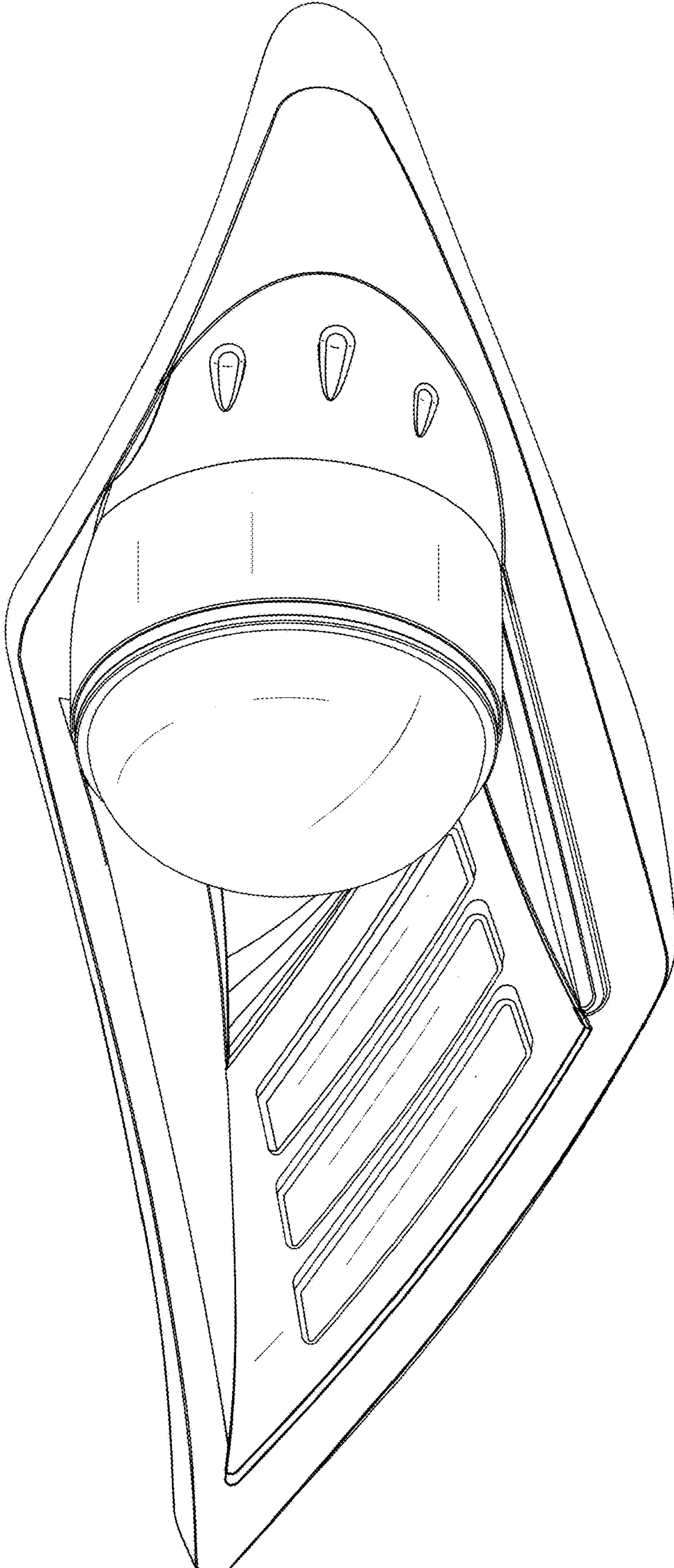


FIG. 1

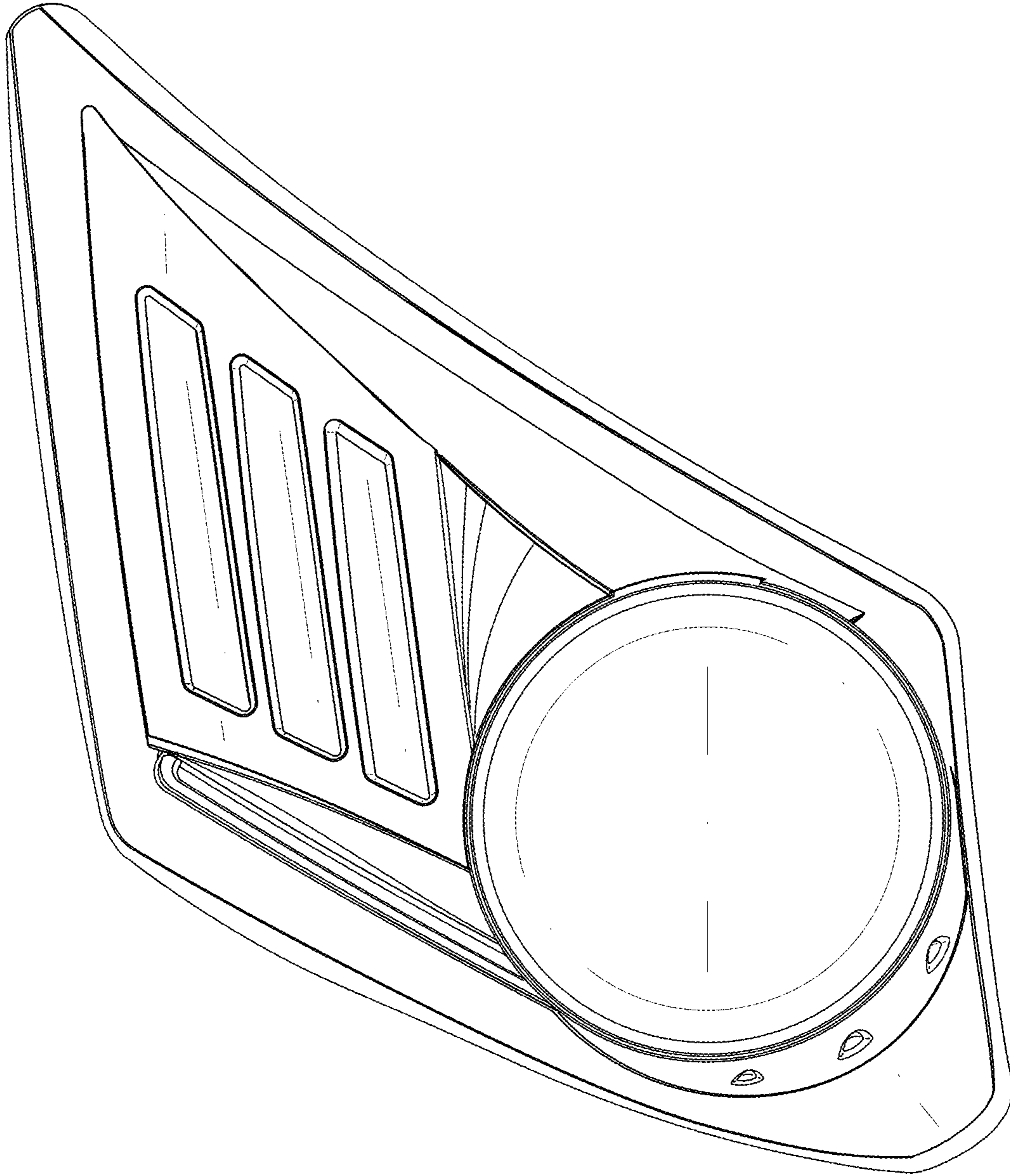


FIG. 2

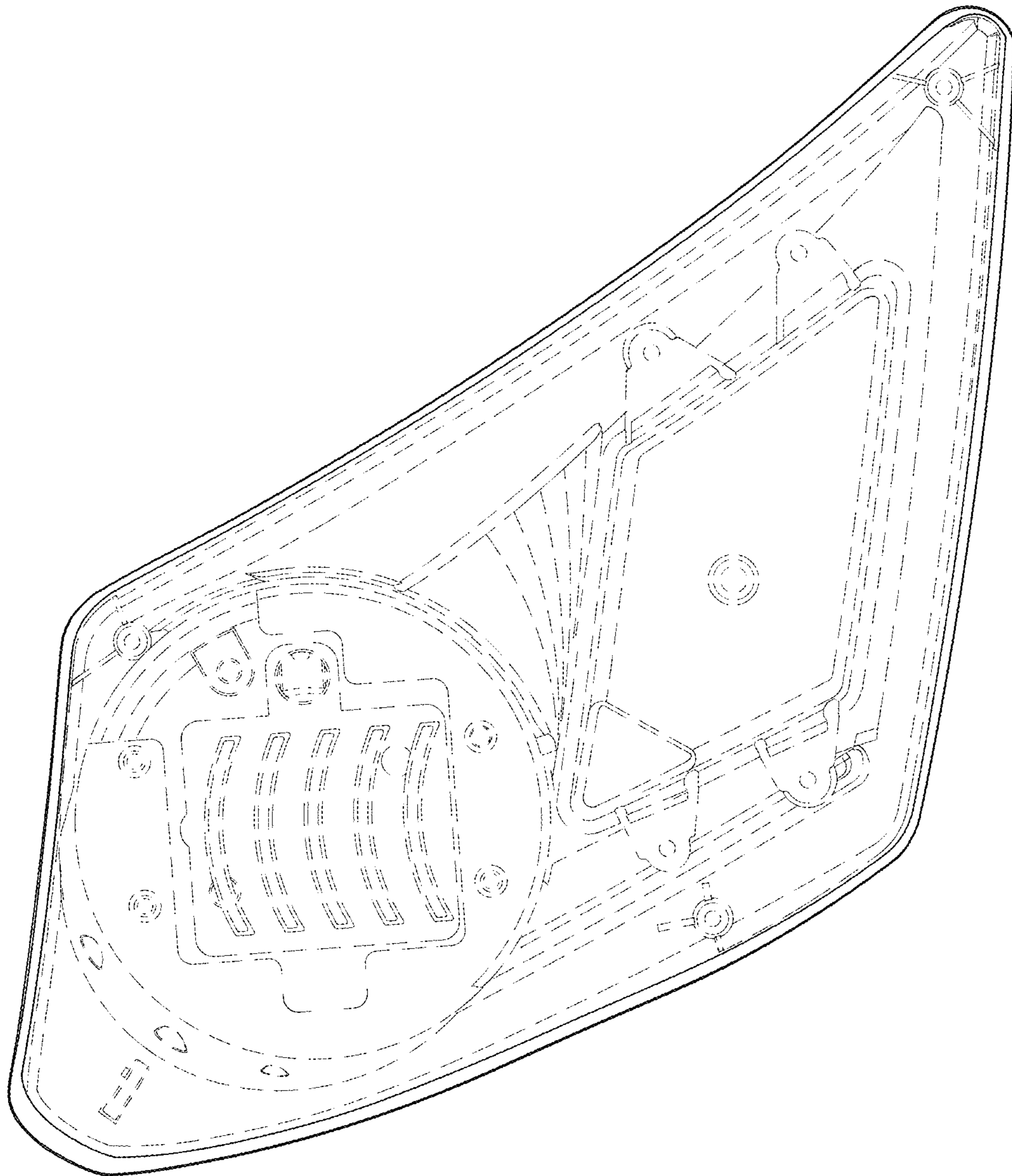


FIG. 3

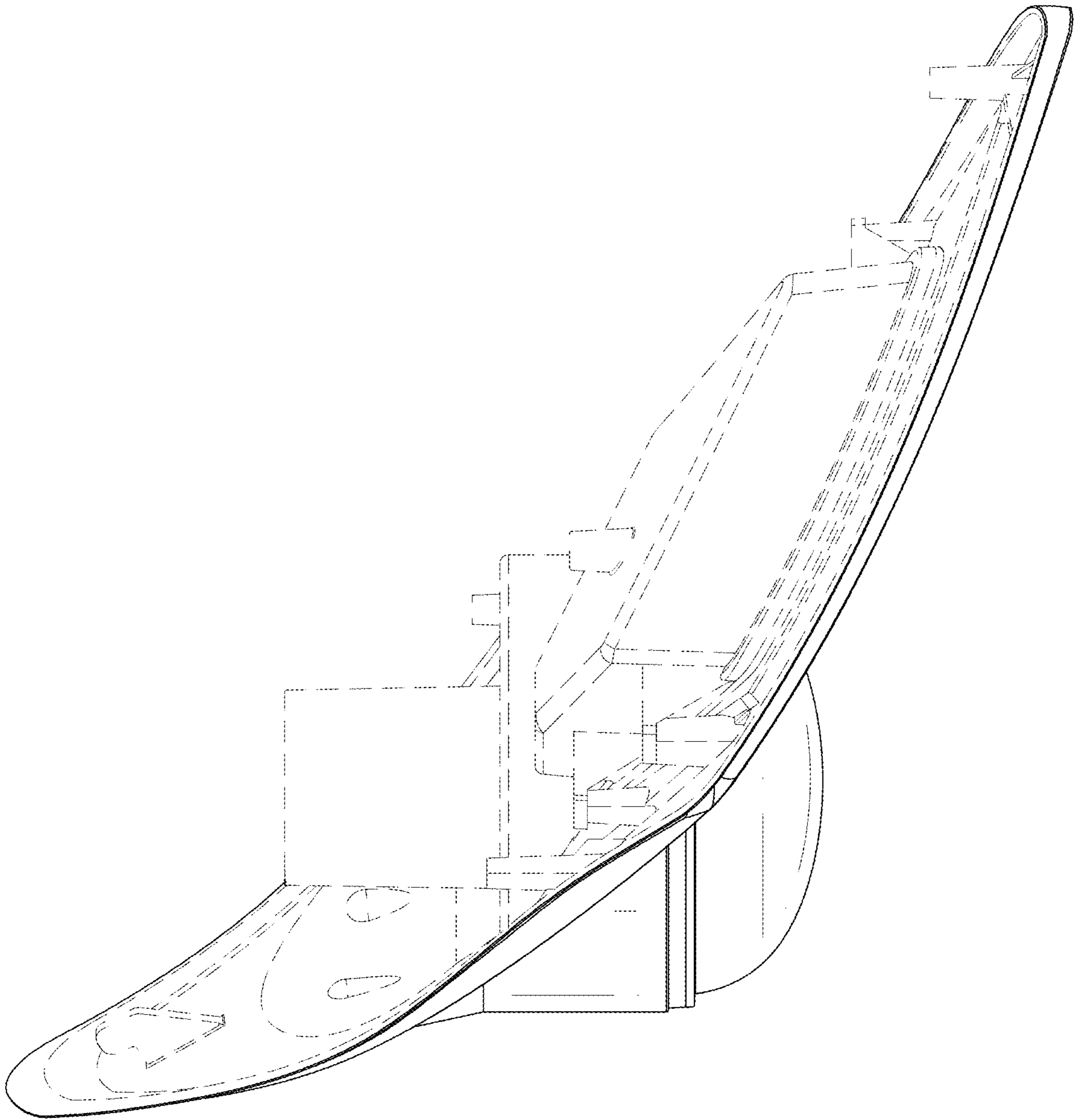


FIG. 4

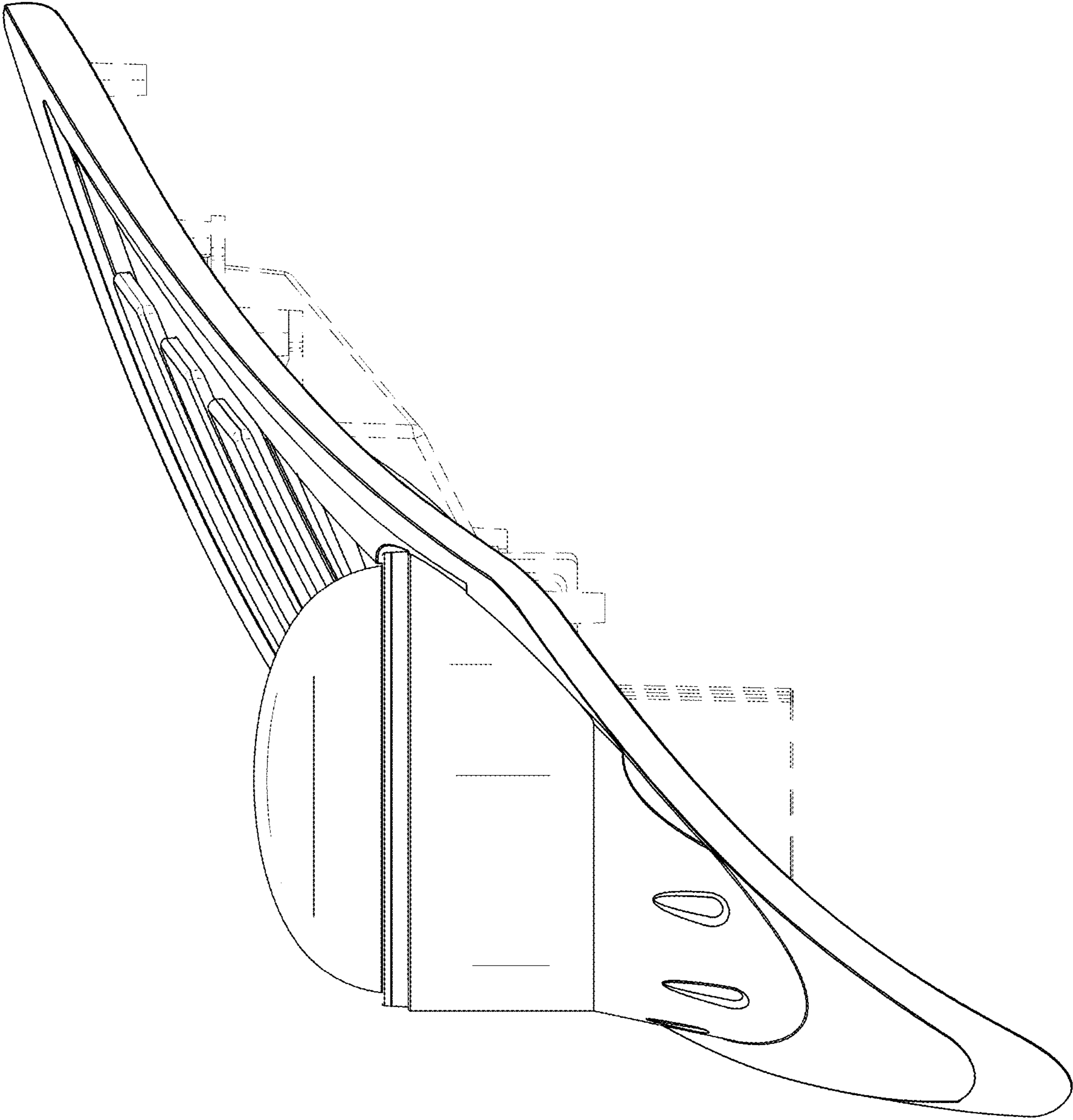


FIG. 5

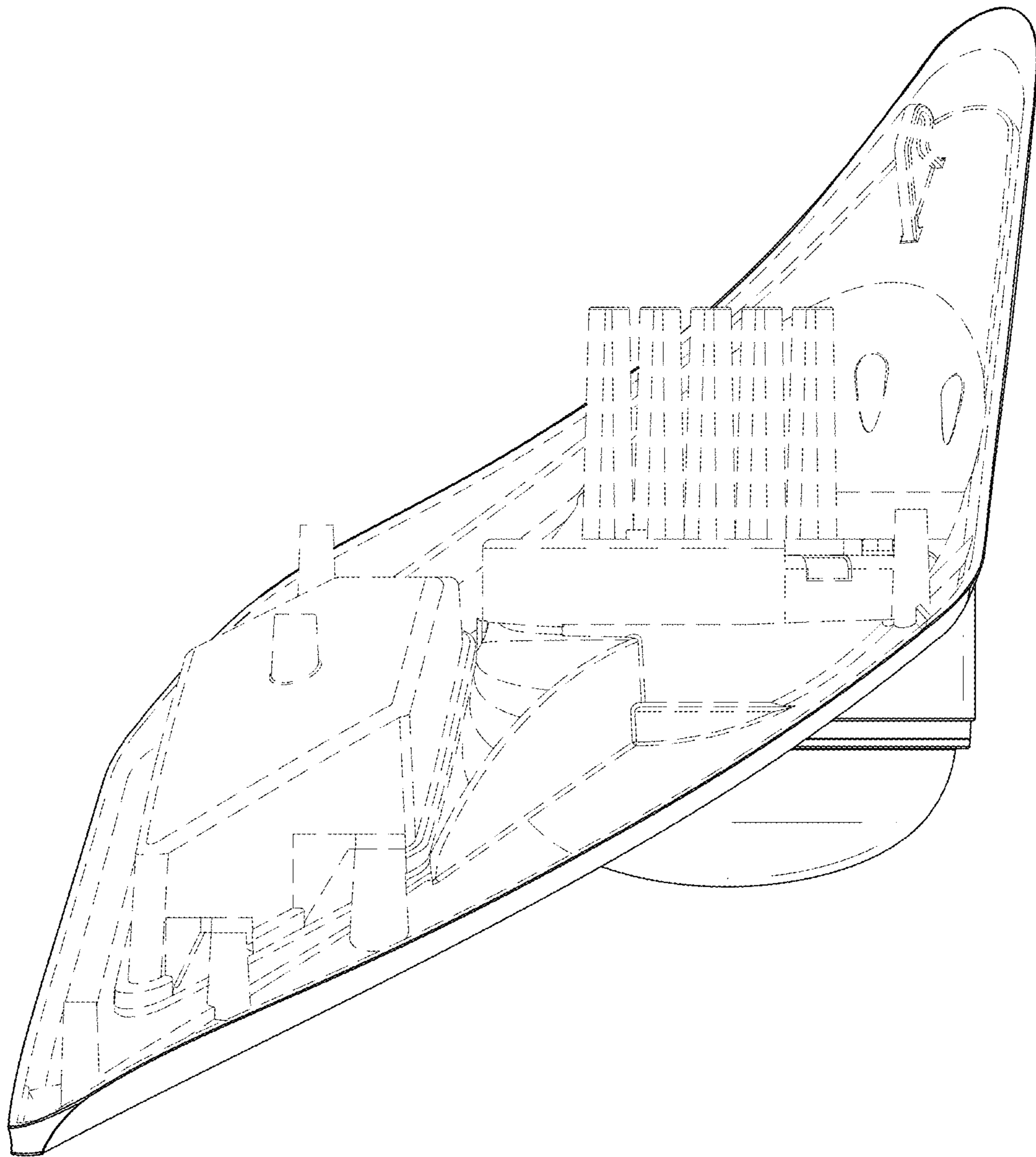


FIG. 6

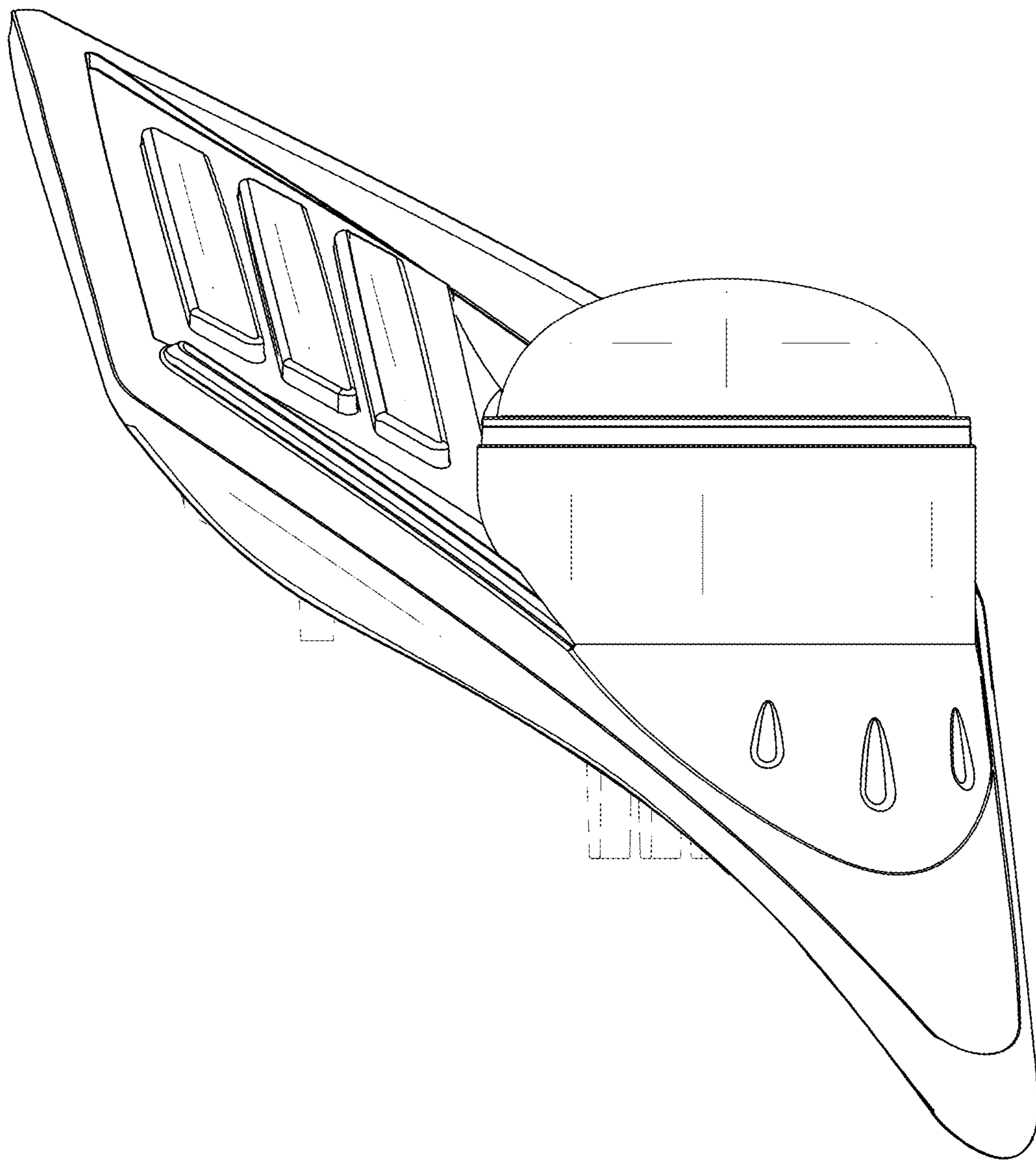


FIG. 7