



US00D887042S

(12) **United States Design Patent**  
**Jiang**

(10) **Patent No.:** **US D887,042 S**  
(45) **Date of Patent:** **\*\* Jun. 9, 2020**

(54) **VEHICLE HEADLIGHT**

(71) Applicant: **Guangzhou Tai Da Electric Appliance Co., Ltd**, Guangzhou, Guangdong (CN)

(72) Inventor: **Qian Jiang**, Guangdong (CN)

(73) Assignee: **GUANGZHOU TAI DA ELECTRIC APPLIANCE CO., LTD**, Guangzhou (CN)

(\*\*) Term: **15 Years**

(21) Appl. No.: **29/671,650**

(22) Filed: **Nov. 28, 2018**

(51) **LOC (12) Cl.** ..... **26-06**

(52) **U.S. Cl.**  
USPC ..... **D26/28**

(58) **Field of Classification Search**  
USPC ..... D26/28-36, 139  
CPC ..... F21S 48/00; F21S 48/10; F21S 48/115;  
F21S 48/225; F21S 48/1233; F21S 48/1266; F21S 48/1388; F21S 48/2268;  
F21V 21/04; B60Q 9/13; B60Q 9/135;  
B60Q 9/1375

See application file for complete search history.

(56) **References Cited**

**U.S. PATENT DOCUMENTS**

D720,483 S \* 12/2014 Saddig ..... D26/28  
D740,984 S \* 10/2015 Chen ..... D26/28

D769,487 S \* 10/2016 Ma ..... D26/28  
D769,490 S \* 10/2016 Ma ..... D26/28  
D777,961 S \* 1/2017 Wu ..... D26/28

\* cited by examiner

*Primary Examiner* — Marcus A Jackson

(74) *Attorney, Agent, or Firm* — Patent Masters LLC; Rui Wu

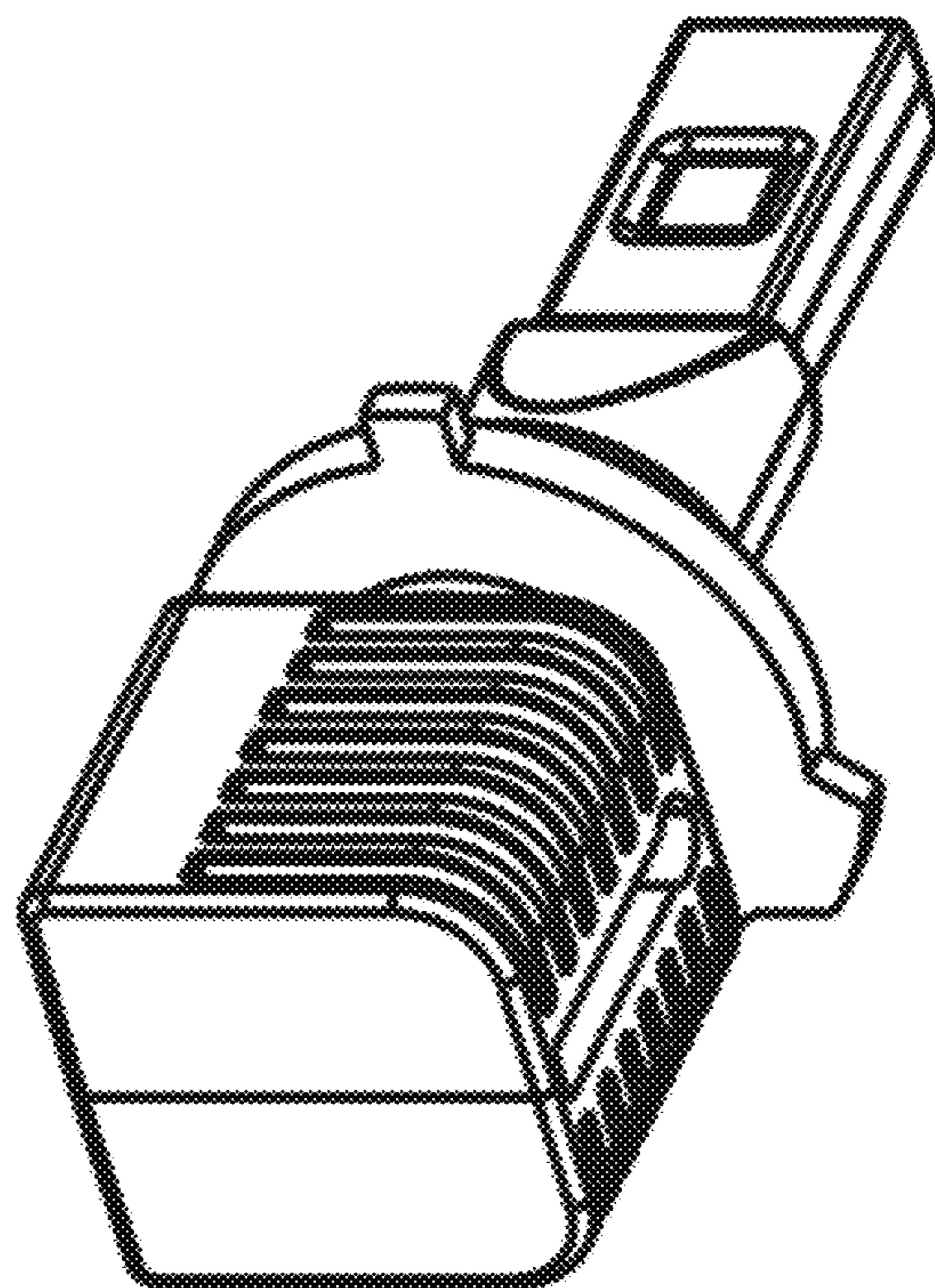
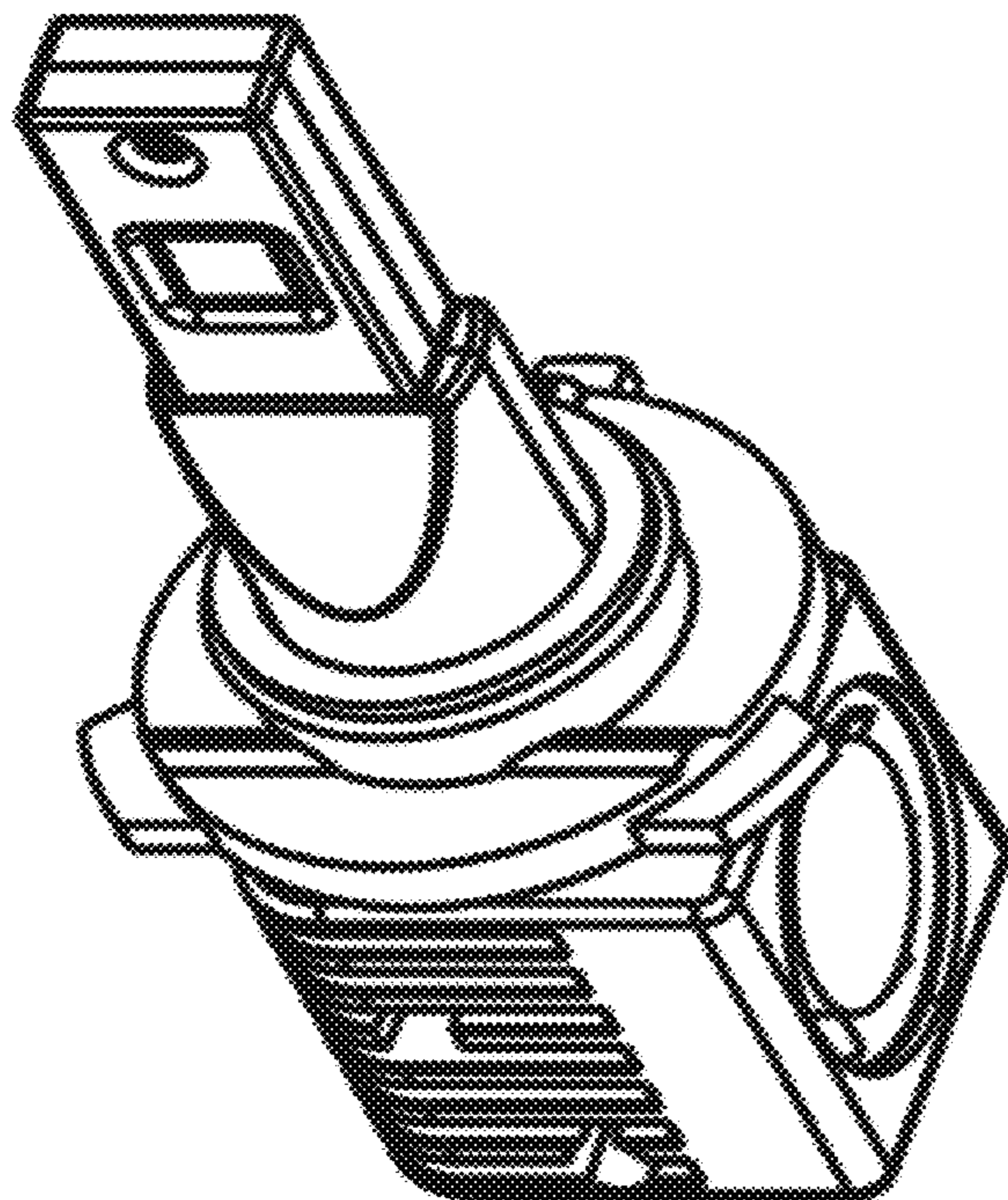
(57) **CLAIM**

The ornamental design of a vehicle headlight, as shown and described.

**DESCRIPTION**

FIG. 1 is a perspective view of a new design for a vehicle headlight;  
FIG. 2 is another perspective view of the vehicle headlight shown in FIG. 1;  
FIG. 3 is a front elevational view of the vehicle headlight shown in FIG. 1;  
FIG. 4 is a back elevational view of the vehicle headlight shown in FIG. 3;  
FIG. 5 is a side elevational view of the vehicle headlight shown in FIG. 3;  
FIG. 6 is the opposite side elevational view of the vehicle headlight shown in FIG. 3;  
FIG. 7 is a top view of the vehicle headlight shown in FIG. 3; and,  
FIG. 8 is a bottom view of the vehicle headlight shown in FIG. 3.

**1 Claim, 4 Drawing Sheets**



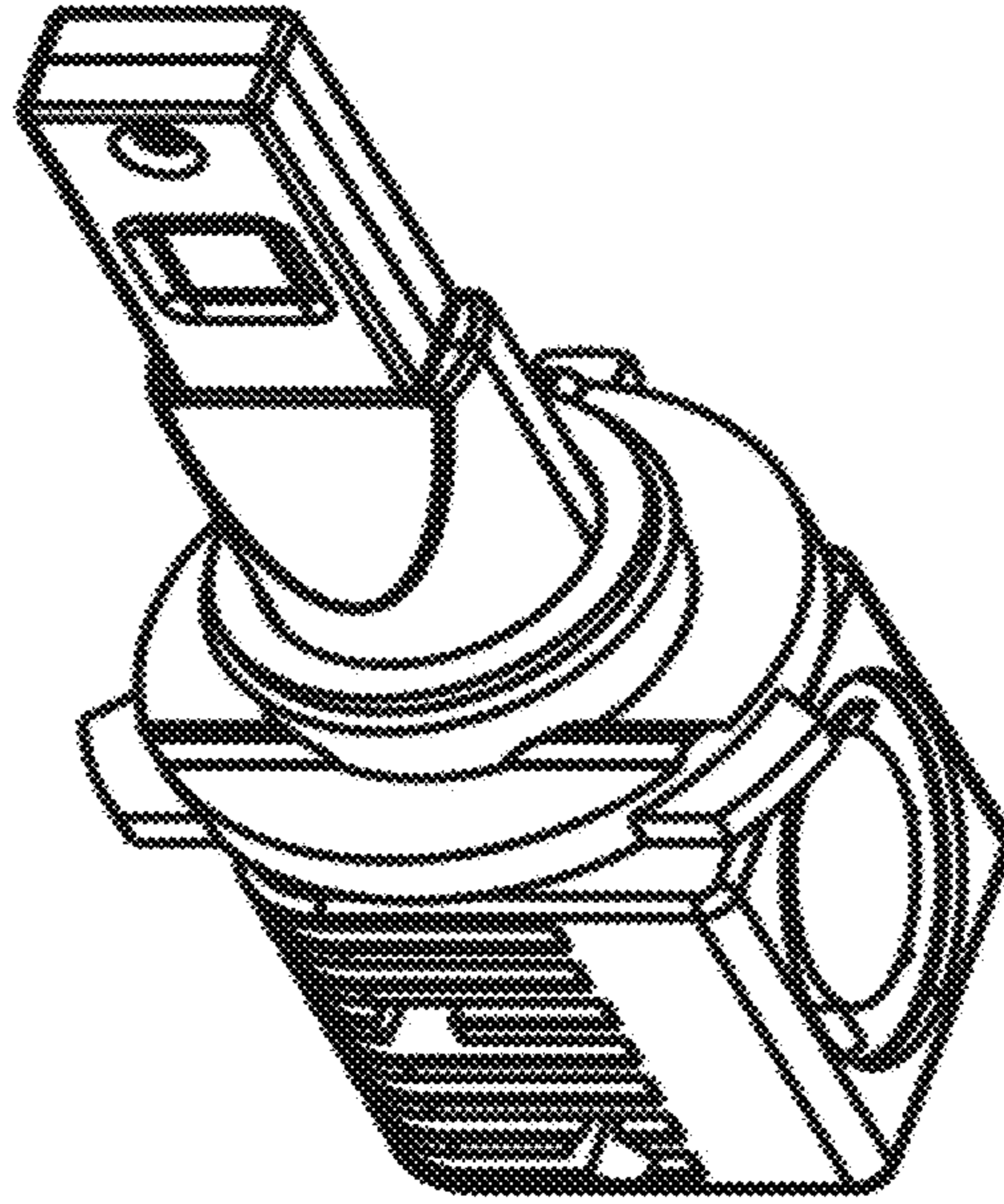


FIG. 1

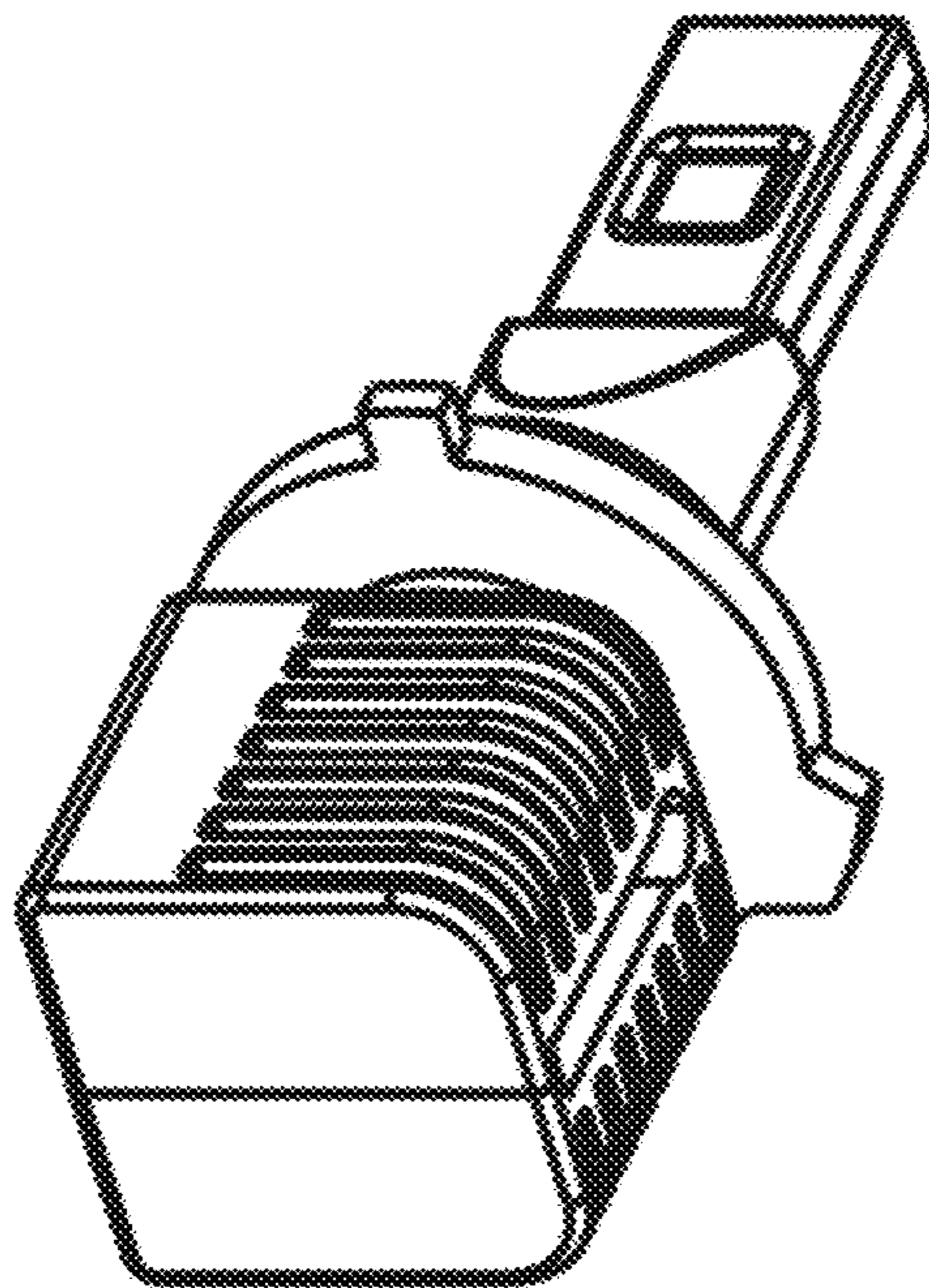


FIG. 2

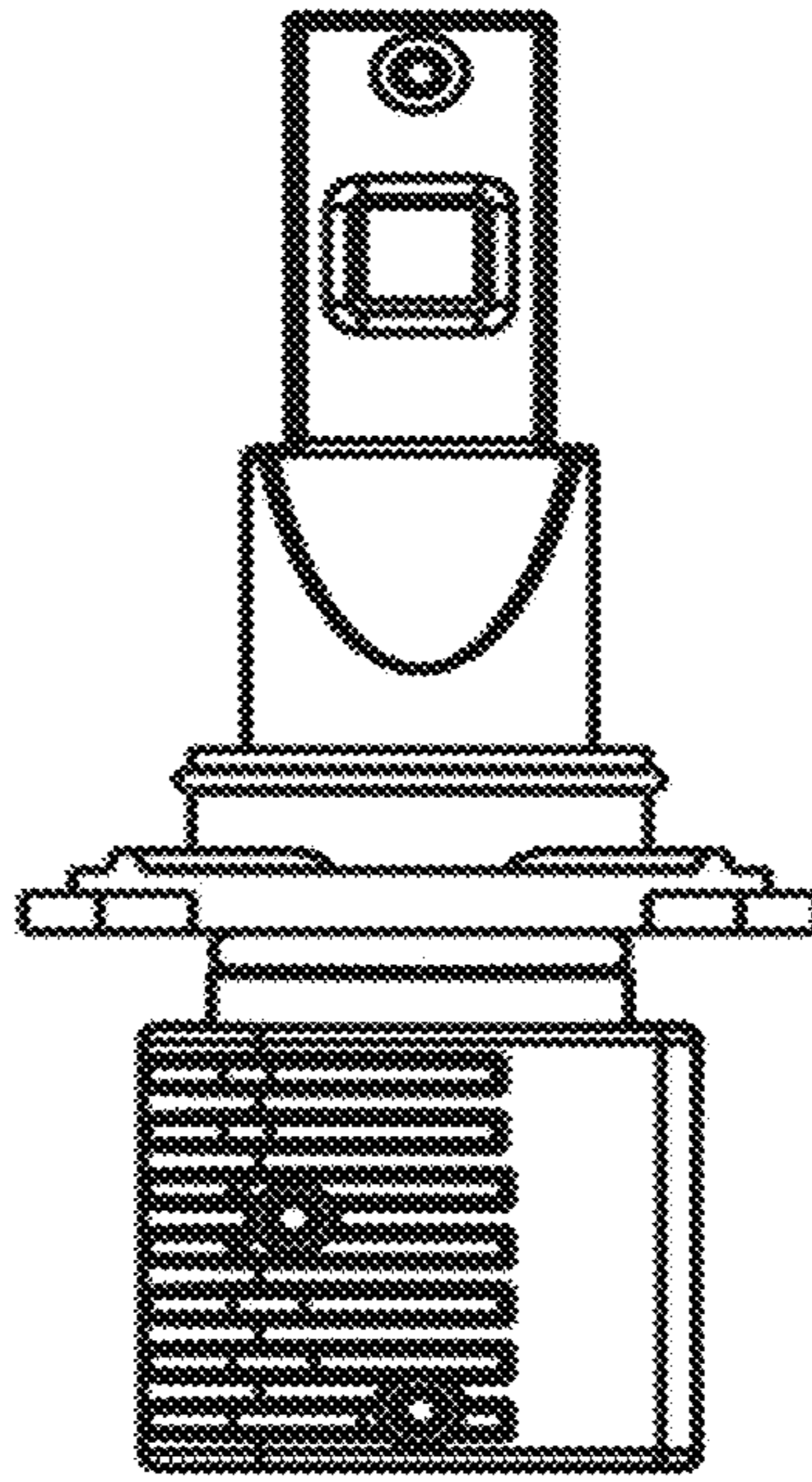


FIG. 3

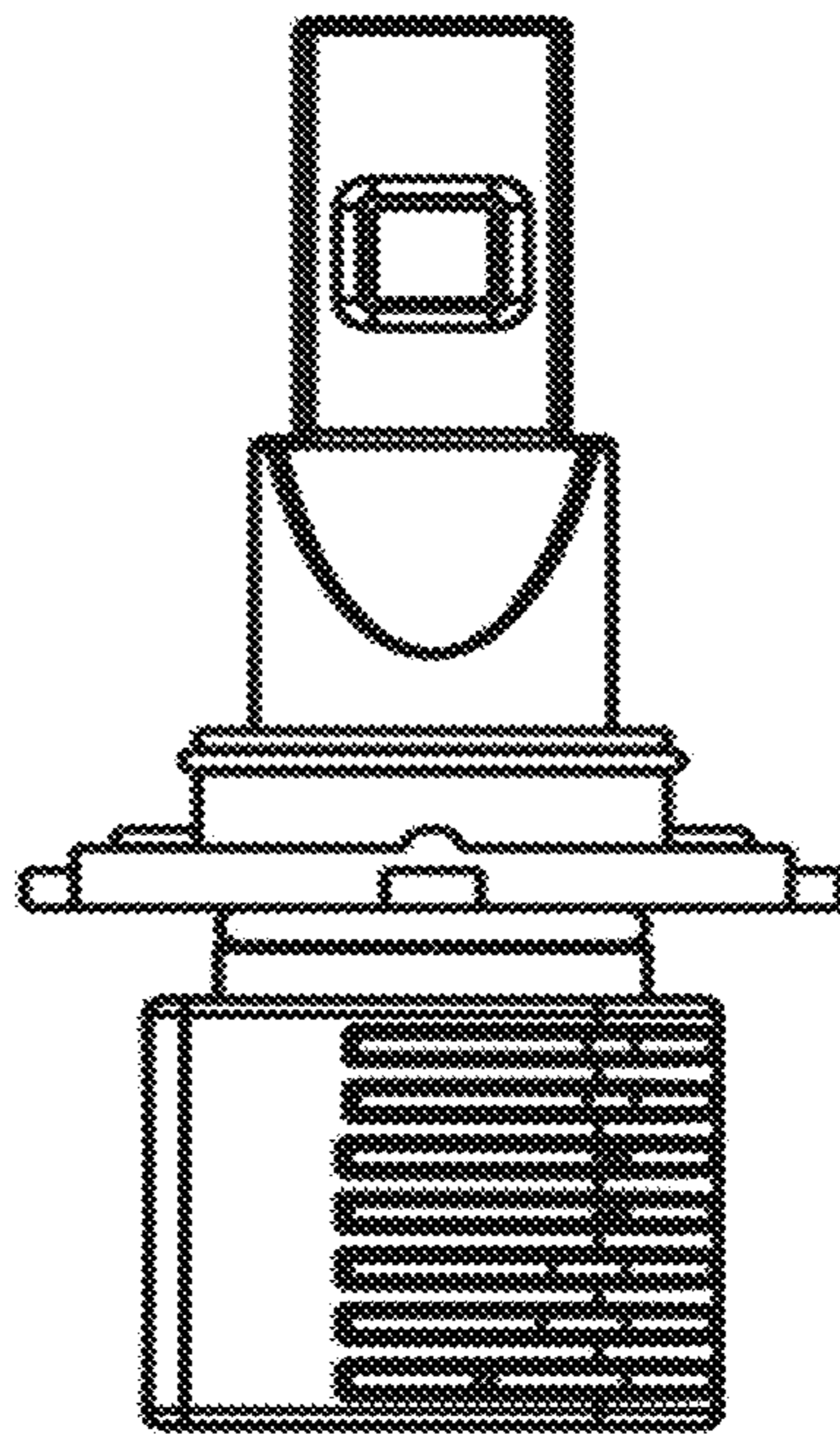


FIG. 4

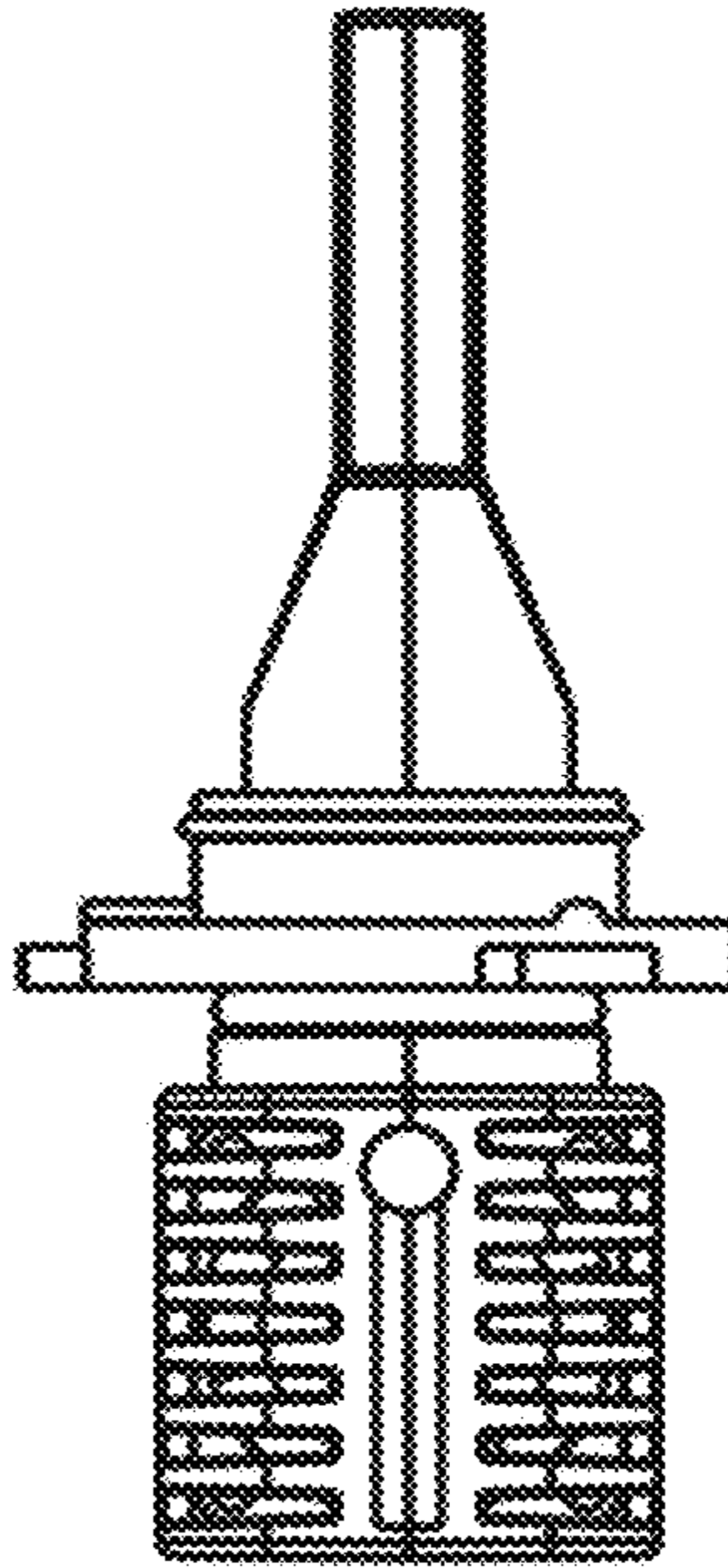


FIG. 5

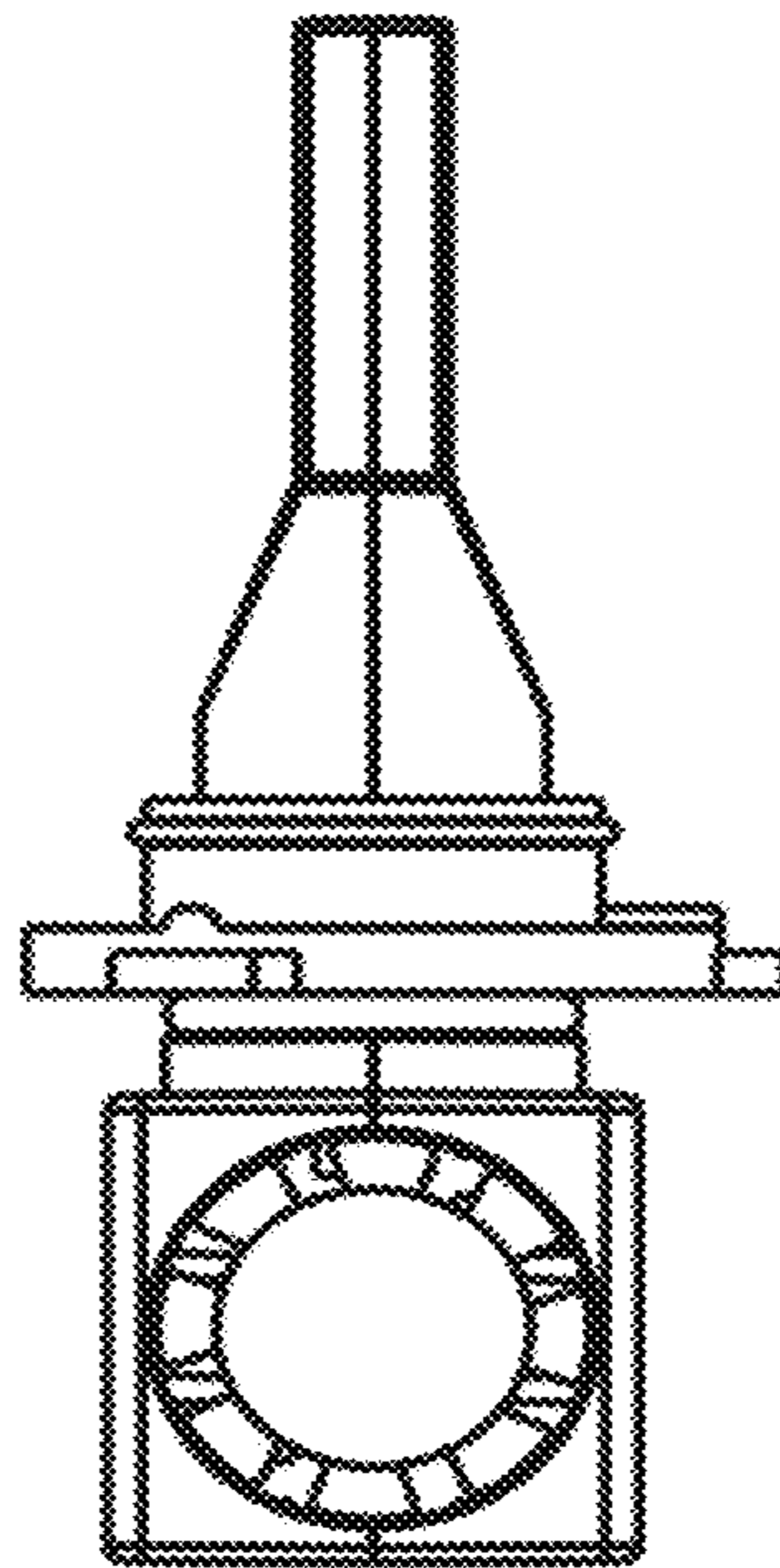


FIG. 6

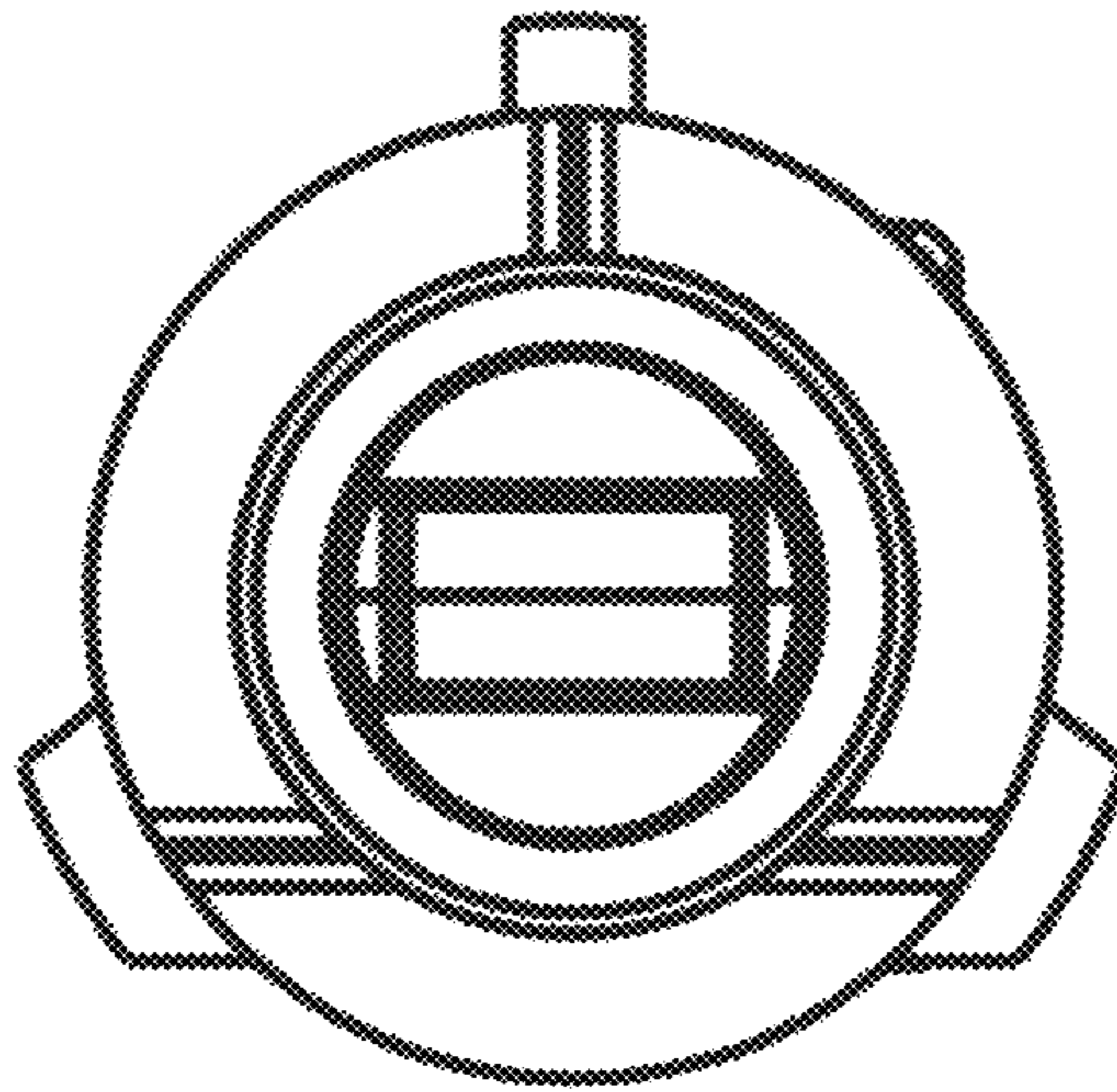


FIG. 7

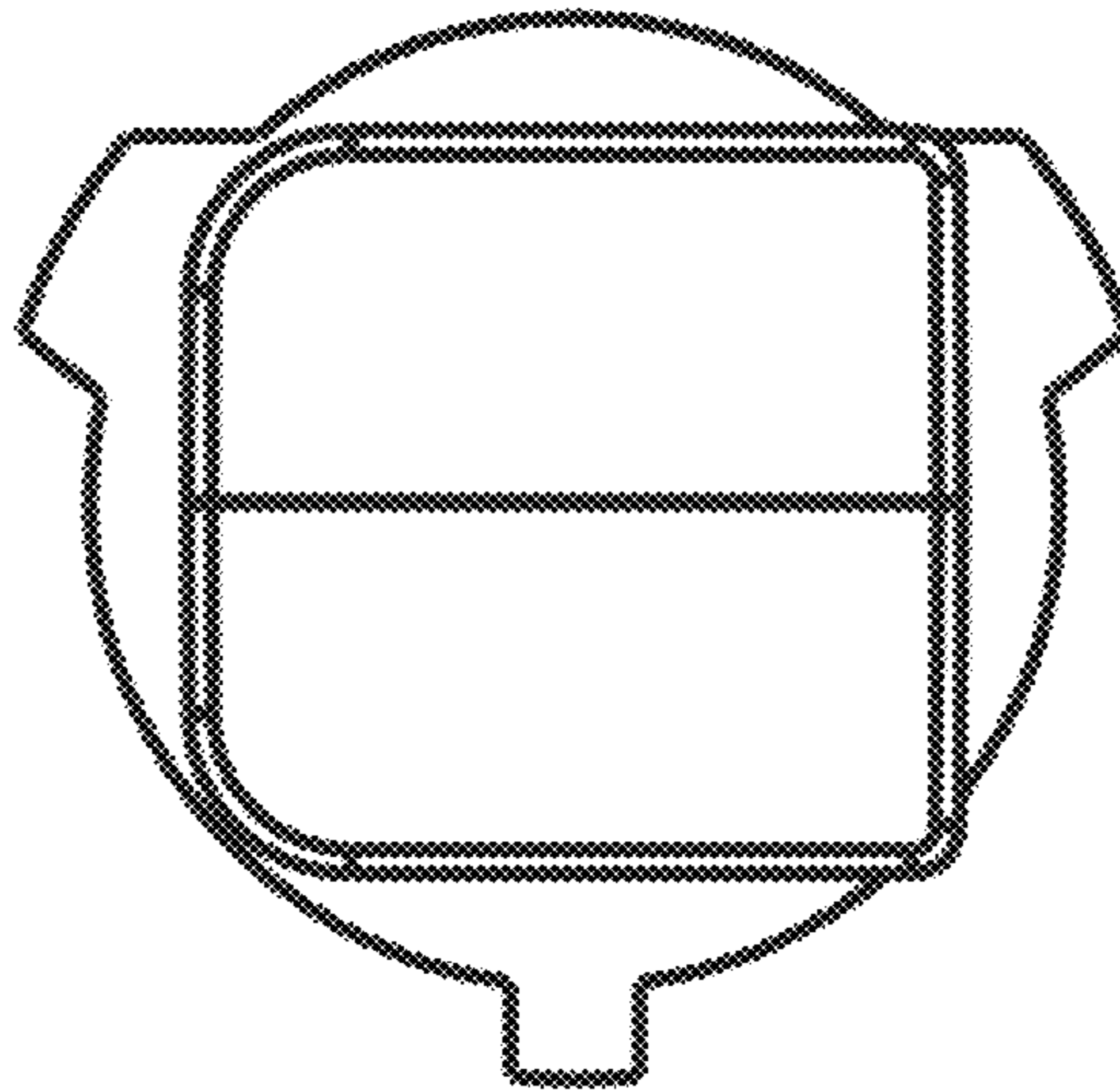


FIG. 8