



US00D887041S

(12) **United States Design Patent**
Lin

(10) **Patent No.:** **US D887,041 S**

(45) **Date of Patent:** **** Jun. 9, 2020**

(54) **VEHICLE REAR TAILLIGHT**

(71) Applicant: **Chi-Chung Lin**, Hsinchu (TW)

(72) Inventor: **Chi-Chung Lin**, Hsinchu (TW)

(**) Term: **15 Years**

(21) Appl. No.: **29/671,156**

(22) Filed: **Nov. 23, 2018**

(51) **LOC (12) Cl.** **26-06**

(52) **U.S. Cl.**
USPC **D26/28**

(58) **Field of Classification Search**
USPC D26/28-36, 139
CPC F21S 48/00; F21S 48/10; F21S 48/115;
F21S 48/225; F21S 48/1233; F21S
48/1266; F21S 48/1388; F21S 48/2268;
F21V 21/04; B60Q 9/13; B60Q 9/135;
B60Q 9/1375

See application file for complete search history.

(56) **References Cited**

U.S. PATENT DOCUMENTS

D752,783 S * 3/2016 Whang D26/28
D761,979 S * 7/2016 Wu D26/28

D774,226 S * 12/2016 McCabe D26/28
D787,727 S * 5/2017 Lai D26/28
D797,324 S * 9/2017 Lai D26/28
D798,477 S * 9/2017 Lai D26/28

OTHER PUBLICATIONS

<http://www.trucktrend.com/truck-reviews/1307-2014-toyota-4runner-first-drive/>.

* cited by examiner

Primary Examiner — Marcus A Jackson

(74) *Attorney, Agent, or Firm* — Alexander Chen, Esq.

(57) **CLAIM**

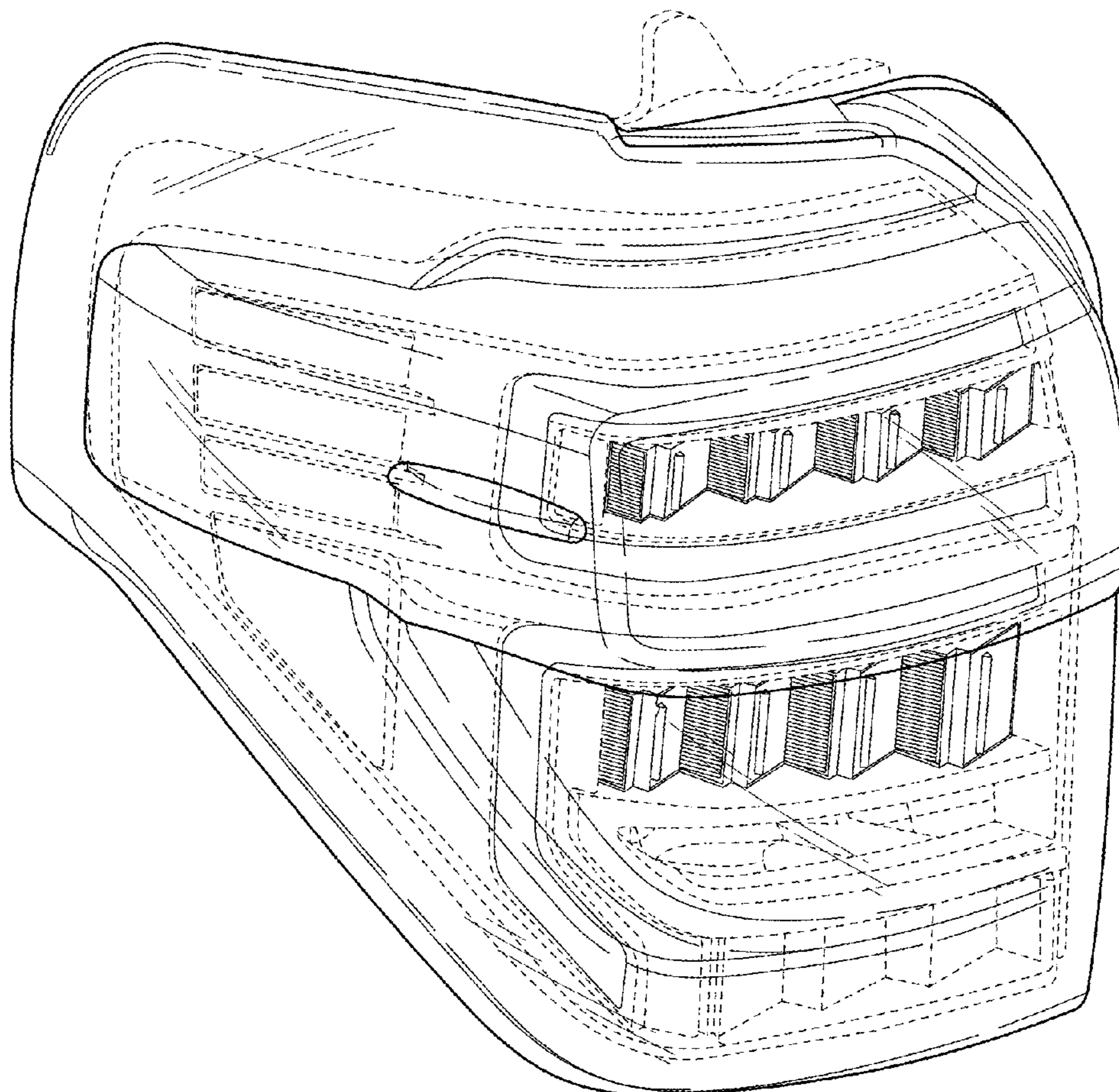
The ornamental design for an vehicle rear taillight, as shown and described.

DESCRIPTION

FIG. 1 is a perspective view of an vehicle rear taillight; FIG. 2 is a side view thereof; and, FIG. 3 is a front view thereof.

The broken lines are included to show environmental structure and form no part of the claimed design. The drawings and descriptions represent the left side embodiment. The claim is also for a mirror image right side embodiment.

1 Claim, 3 Drawing Sheets



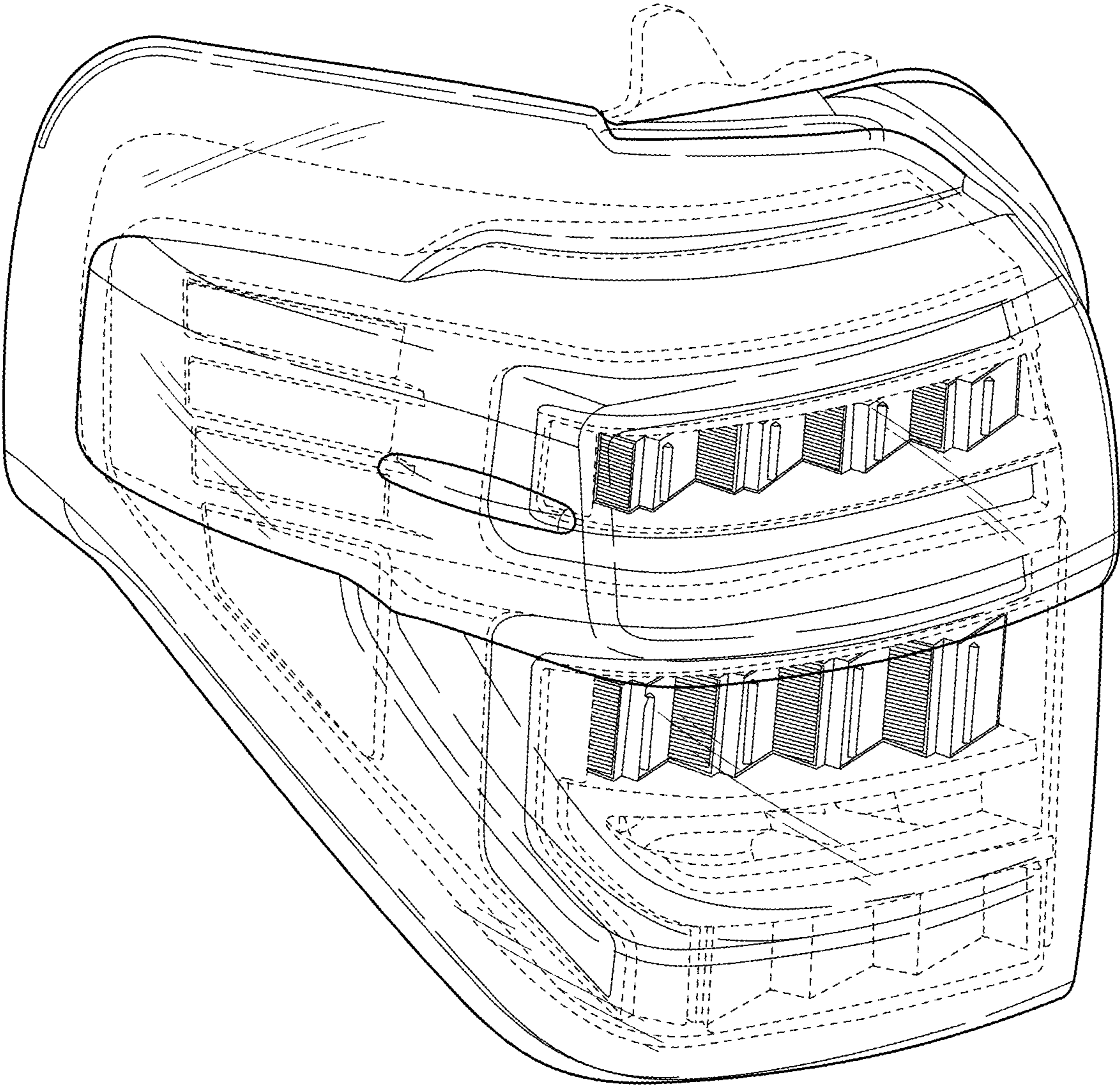


FIG. 1

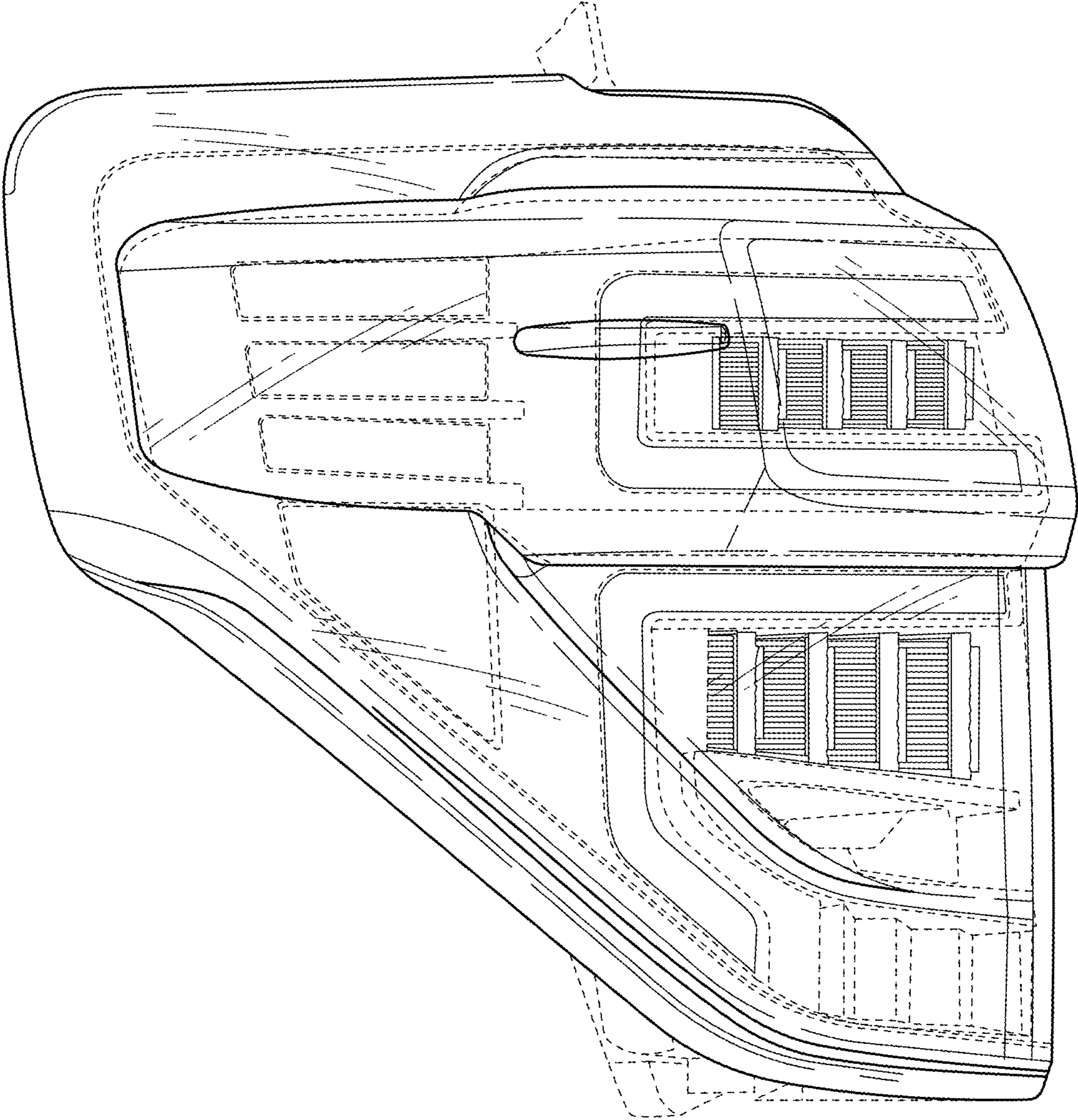


FIG. 2

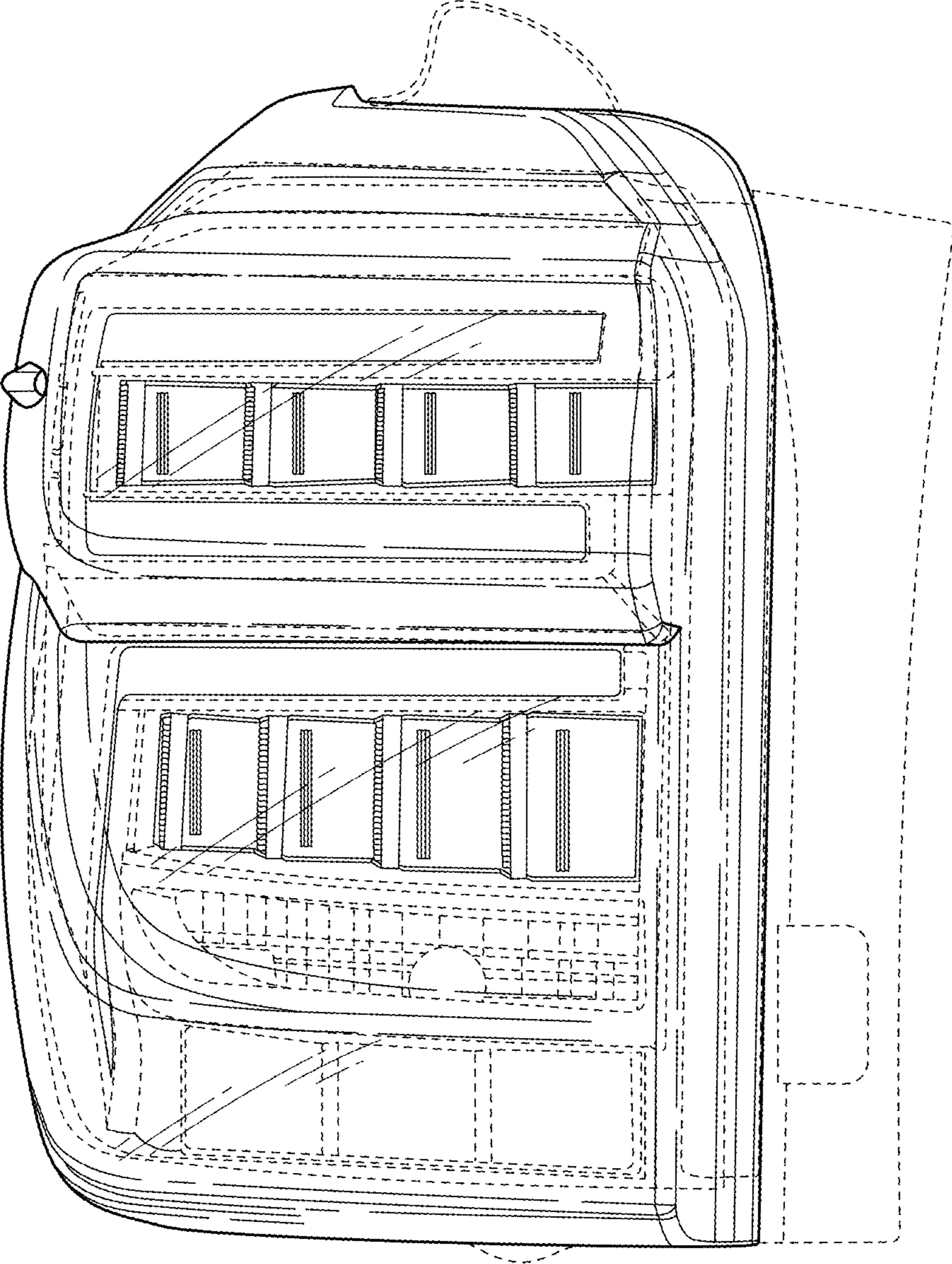


FIG. 3