



US00D887037S

(12) **United States Design Patent**
McLellan

(10) **Patent No.:** **US D887,037 S**

(45) **Date of Patent:** **** Jun. 9, 2020**

- (54) **LIGHT ASSEMBLY**
- (71) Applicant: **Race, LLC**, Martinez, CA (US)
- (72) Inventor: **Brant C. McLellan**, Phoenix, AZ (US)
- (73) Assignee: **Race, LLC**, Martinez, CA (US)
- (**) Term: **15 Years**
- (21) Appl. No.: **29/645,979**
- (22) Filed: **Apr. 30, 2018**

D696,801	S	*	12/2013	He	D26/24
D756,548	S	*	5/2016	Wang	D26/24
9,506,609	B1	*	11/2016	Groves	F21V 31/005
D823,496	S	*	7/2018	Farnsworth	D26/24
D858,809	S	*	9/2019	Kang	D26/24
2004/0196663	A1	*	10/2004	Ishida	H01L 25/0753 362/539
2006/0146531	A1	*	7/2006	Reo	F21V 5/008 362/244
2009/0267533	A1	*	10/2009	Lee	G09F 9/33 315/294
2012/0224369	A1	*	9/2012	Beghelli	F21S 8/02 362/235

Related U.S. Application Data

- (63) Continuation of application No. 15/798,244, filed on Oct. 30, 2017, now Pat. No. 10,378,733, which is a continuation of application No. 15/798,211, filed on Oct. 30, 2017.
- (51) **LOC (12) Cl.** **26-01**
- (52) **U.S. Cl.**
USPC **D26/24**
- (58) **Field of Classification Search**
USPC D12/86, 90-92, 114, 163, 169, 171-173,
D12/181, 190, 196, 197, 199, 400;
D26/24-36
CPC ... B62J 6/02; B62J 6/00; B60Q 3/0279; F21S
48/00; F21S 48/10; F21S 48/115; F21S
48/225; F21S 48/1233; F21S 48/1266;
F21S 48/1388; F21S 48/2268; F21V
21/04

See application file for complete search history.

(56) **References Cited**

U.S. PATENT DOCUMENTS

D243,273	S	*	2/1977	Braucht	D26/35
D288,969	S	*	3/1987	Palmer	D26/35
4,774,646	A	*	9/1988	L'Heureux	F21S 2/005 362/145
D349,167	S	*	7/1994	Uchida	D26/28
8,240,875	B2	*	8/2012	Roberts	F21V 5/002 362/217.05

OTHER PUBLICATIONS

Baja Designs | Products | LED Light Bars, posted by Maija Kappler on Mar. 9, 2013, © 2020 Baja Designs, Inc. [online], [site visited Jan. 21, 2020]. Available from Internet, <URL: <https://www.bajadesigns.com/products/led-light-bars.asp/>>.*

* cited by examiner

Primary Examiner — Philip S Hyder
Assistant Examiner — Cary M Robinson

(74) *Attorney, Agent, or Firm* — Perry S. Clegg; Kunzler Bean & Adamson, PC

(57) **CLAIM**

The ornamental design for a light assembly, as shown and described.

DESCRIPTION

FIG. 1 is a front perspective view of the light assembly showing my new design;
FIG. 2 is a rear perspective view thereof;
FIG. 3 is a front elevation view thereof;
FIG. 4 is a rear elevation view thereof;
FIG. 5 is a right elevation view thereof;
FIG. 6 is a left elevation view thereof;
FIG. 7 is a top plan view thereof; and,
FIG. 8 is a bottom plan view thereof.

1 Claim, 5 Drawing Sheets

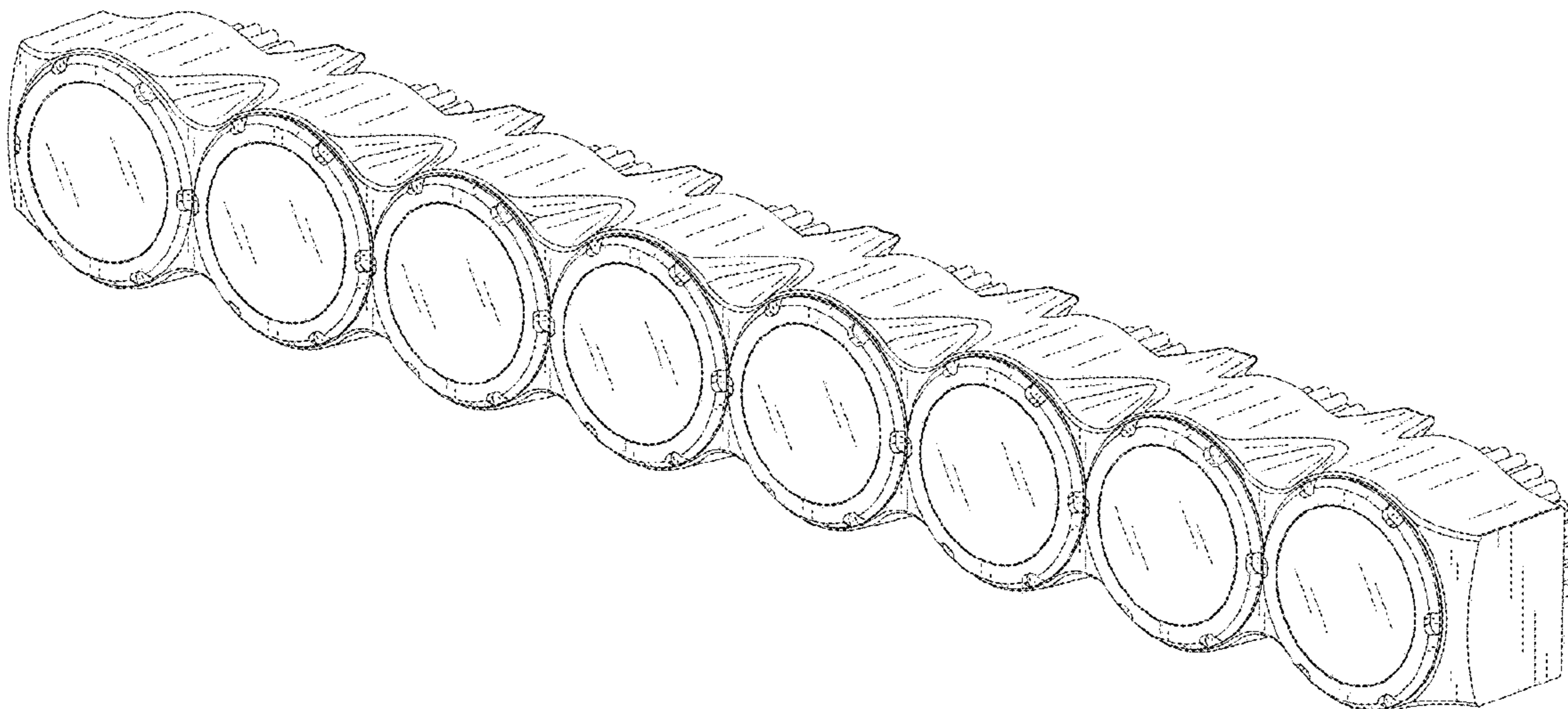




FIG. 1



FIG. 2

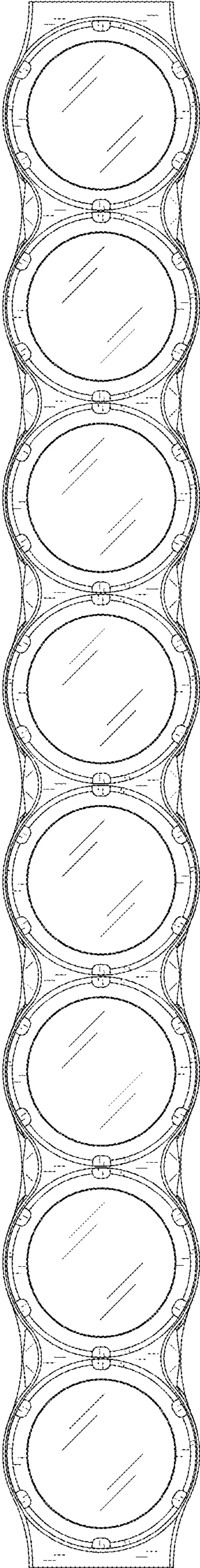


FIG. 3

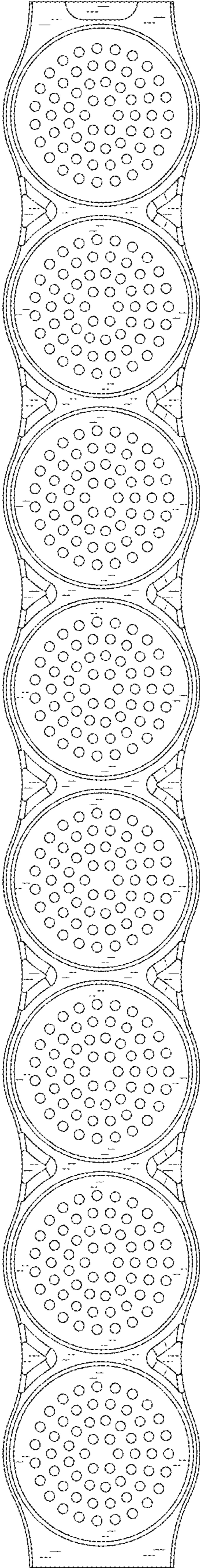


FIG. 4

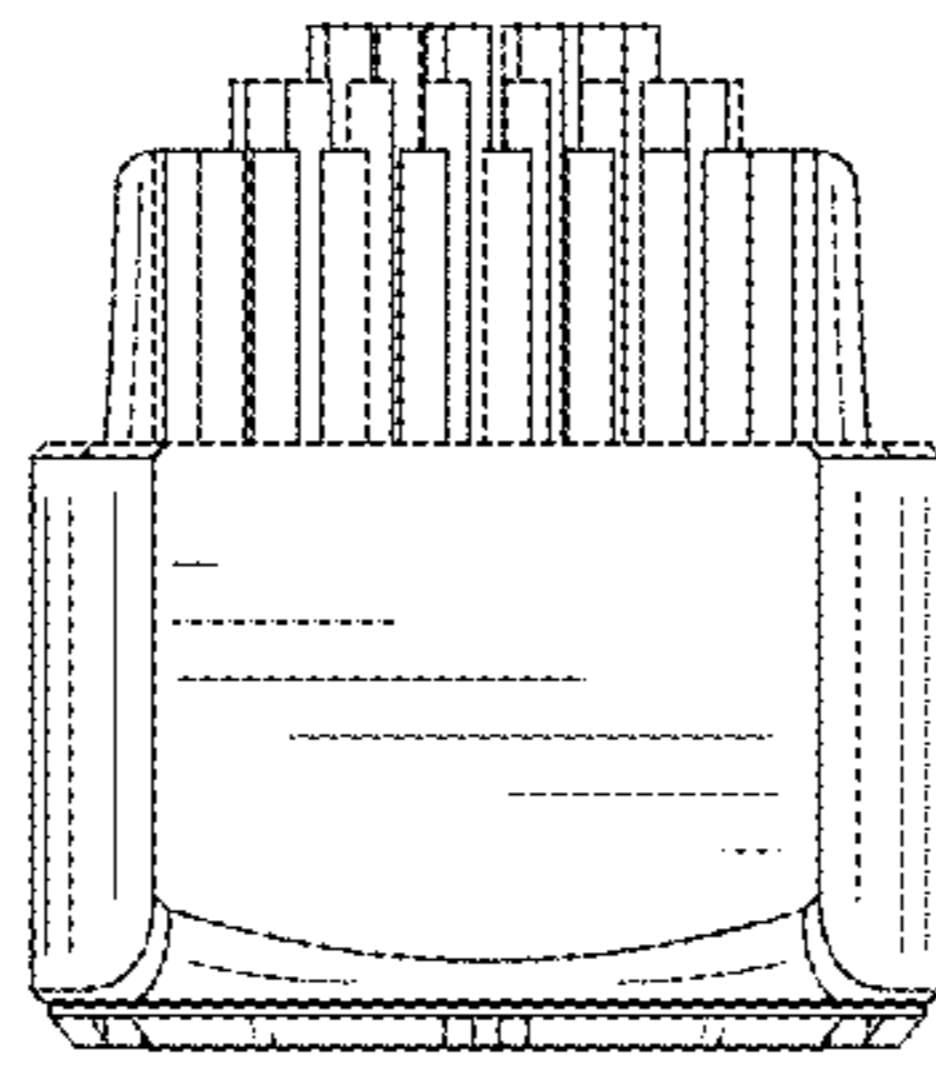


FIG. 6

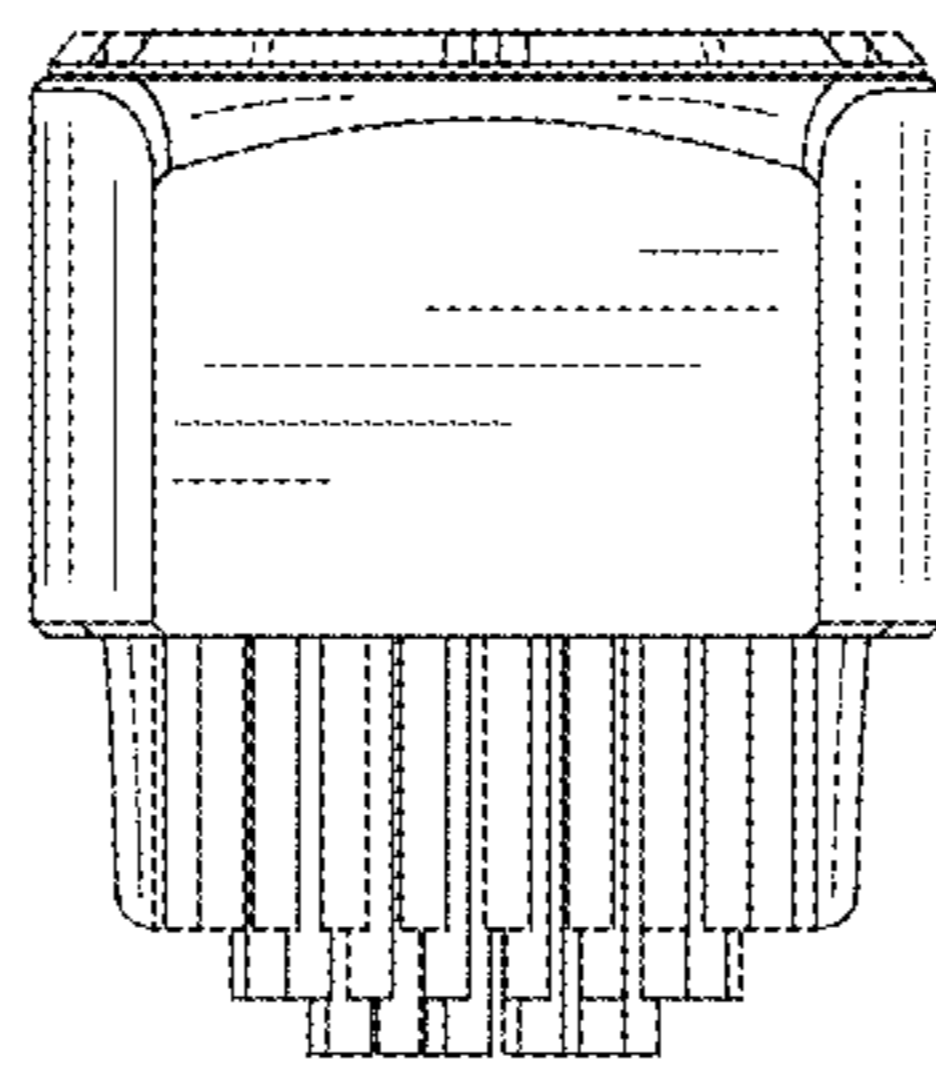


FIG. 5

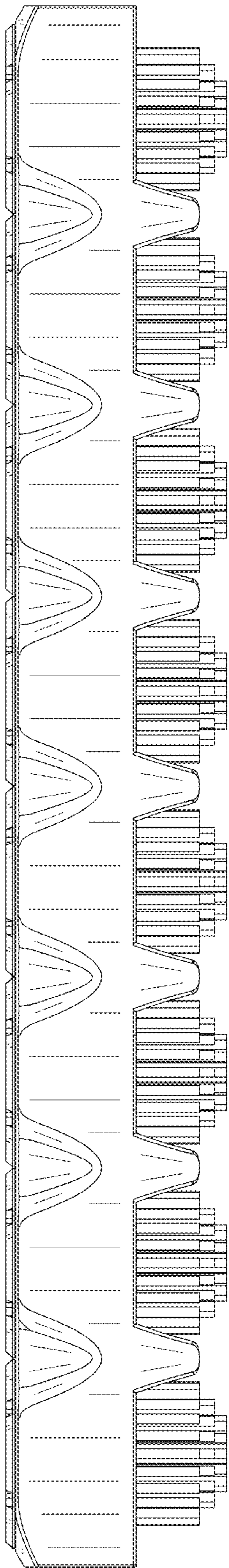


FIG. 7

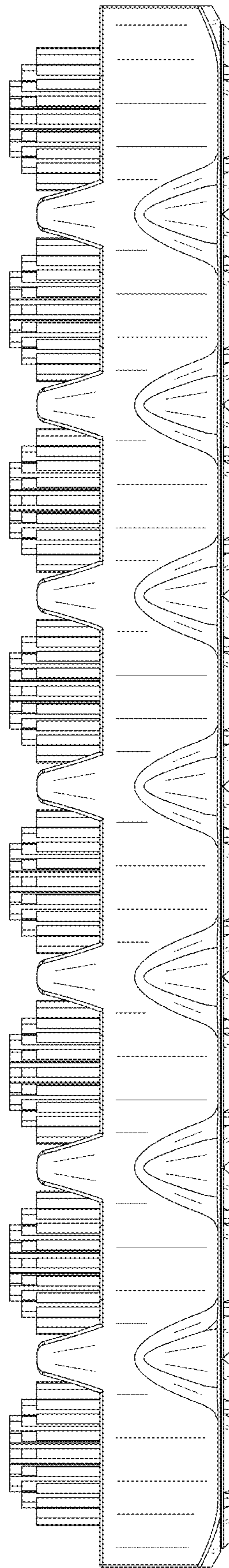


FIG. 8