



US00D887036S

(12) **United States Design Patent**
Elwell

(10) **Patent No.:** **US D887,036 S**

(45) **Date of Patent:** **** Jun. 9, 2020**

(54) **CANDLE HOLDER**

(71) Applicant: **Jean D. Elwell**, Roscoe, IL (US)

(72) Inventor: **Jean D. Elwell**, Roscoe, IL (US)

(**) Term: **15 Years**

(21) Appl. No.: **29/705,342**

(22) Filed: **Sep. 11, 2019**

(51) **LOC (12) Cl.** **26-01**

(52) **U.S. Cl.**
USPC **D26/9**

(58) **Field of Classification Search**
USPC D26/9, 10, 11, 23; D3/302, 304;
D6/512, 524, 525, 531, 535, 536, 540,
D6/556; 248/309.1, 311.2, 310;
211/88.01
CPC F21V 35/00; A47K 2201/02; F21S 8/036;
F21W 2121/00; F21W 2121/004; A47B
81/007

See application file for complete search history.

(56) **References Cited**

U.S. PATENT DOCUMENTS

D243,874 S *	3/1977	Smith	D26/11
5,028,026 A	7/1991	Philipps et al.		
D371,735 S	7/1996	Motta		
D386,343 S *	11/1997	Moore	D6/532
D412,997 S *	8/1999	Wise	D26/23
D419,810 S *	2/2000	John	D6/556
D424,349 S *	5/2000	Duggan	D6/540
6,092,772 A	7/2000	Garcia et al.		
D432,837 S *	10/2000	Gastelum	D6/540
D437,159 S *	2/2001	Fiegl	D6/353
D440,801 S *	4/2001	Gottwald	D6/540
D441,236 S *	5/2001	Gottwald	D6/540
D441,237 S *	5/2001	Gottwald	D6/540
D441,238 S *	5/2001	Gottwald	D6/540
D447,012 S *	8/2001	Owens	D7/620
D450,512 S *	11/2001	Gottwald	D6/524

D451,326 S *	12/2001	Gottwald	D6/524
D492,526 S *	7/2004	Ayers	D6/534
D493,646 S *	8/2004	Hoernig	D6/534
D494,397 S *	8/2004	Ayers	D6/534
D604,543 S *	11/2009	Urquiola	D6/535
D605,445 S *	12/2009	De Bonis	D6/540
7,651,063 B2	1/2010	Jensen		
7,654,822 B2 *	2/2010	Soller	F23D 3/16 431/289
D661,826 S *	6/2012	Jorgensen	D26/9
2009/0308995 A1 *	12/2009	Kuo	A47K 10/10 248/231.91
2014/0368320 A1 *	12/2014	Hyland	G08B 21/245 340/10.4
2015/0014505 A1 *	1/2015	Edwards	A47K 1/09 248/251

(Continued)

Primary Examiner — Shannon W Morgan

Assistant Examiner — Keith Frank

(74) *Attorney, Agent, or Firm* — Scherrer Patent &
Trademark Law, P.C.; Stephen T. Scherrer; Monique A.
Morneault

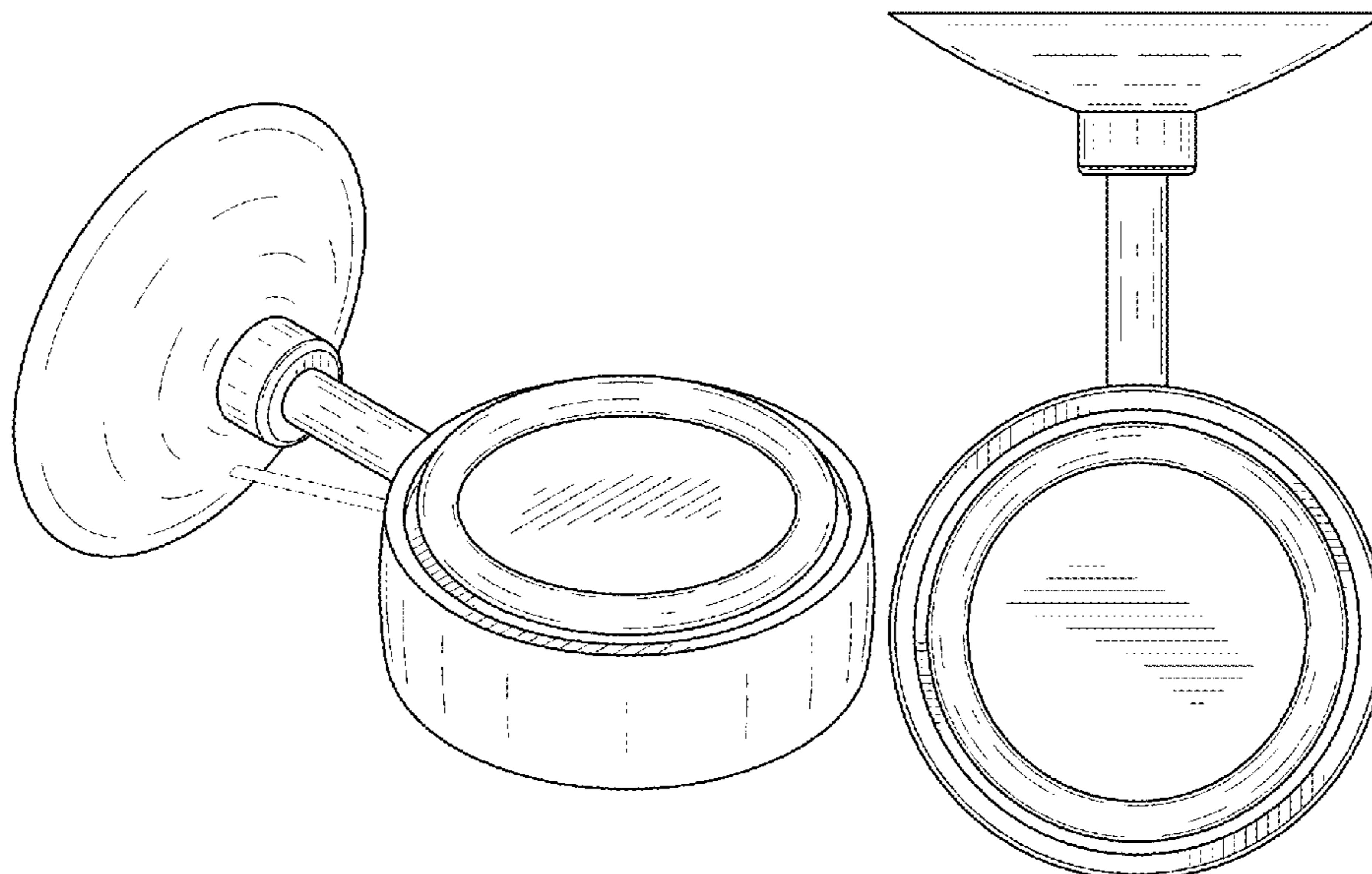
(57) **CLAIM**

The ornamental design for a candle holder, as shown and described.

DESCRIPTION

FIG. 1 is a top perspective view of a candle holder showing my new design;
FIG. 2 is a bottom perspective view thereof;
FIG. 3 is a top plan view thereof;
FIG. 4 is a bottom plan view thereof;
FIG. 5 is a left side elevation view thereof;
FIG. 6 is a front elevation view thereof; and,
FIG. 7 is a rear elevation view thereof.
The broken lines in the drawings showing the candle holder illustrate the portions of the candle holder that form no part of the claimed design.

1 Claim, 3 Drawing Sheets



(56)

References Cited

U.S. PATENT DOCUMENTS

2017/0251609 A1* 9/2017 Szpendyk A47G 7/044
2019/0118948 A1* 4/2019 Fullerton B64D 11/02

* cited by examiner

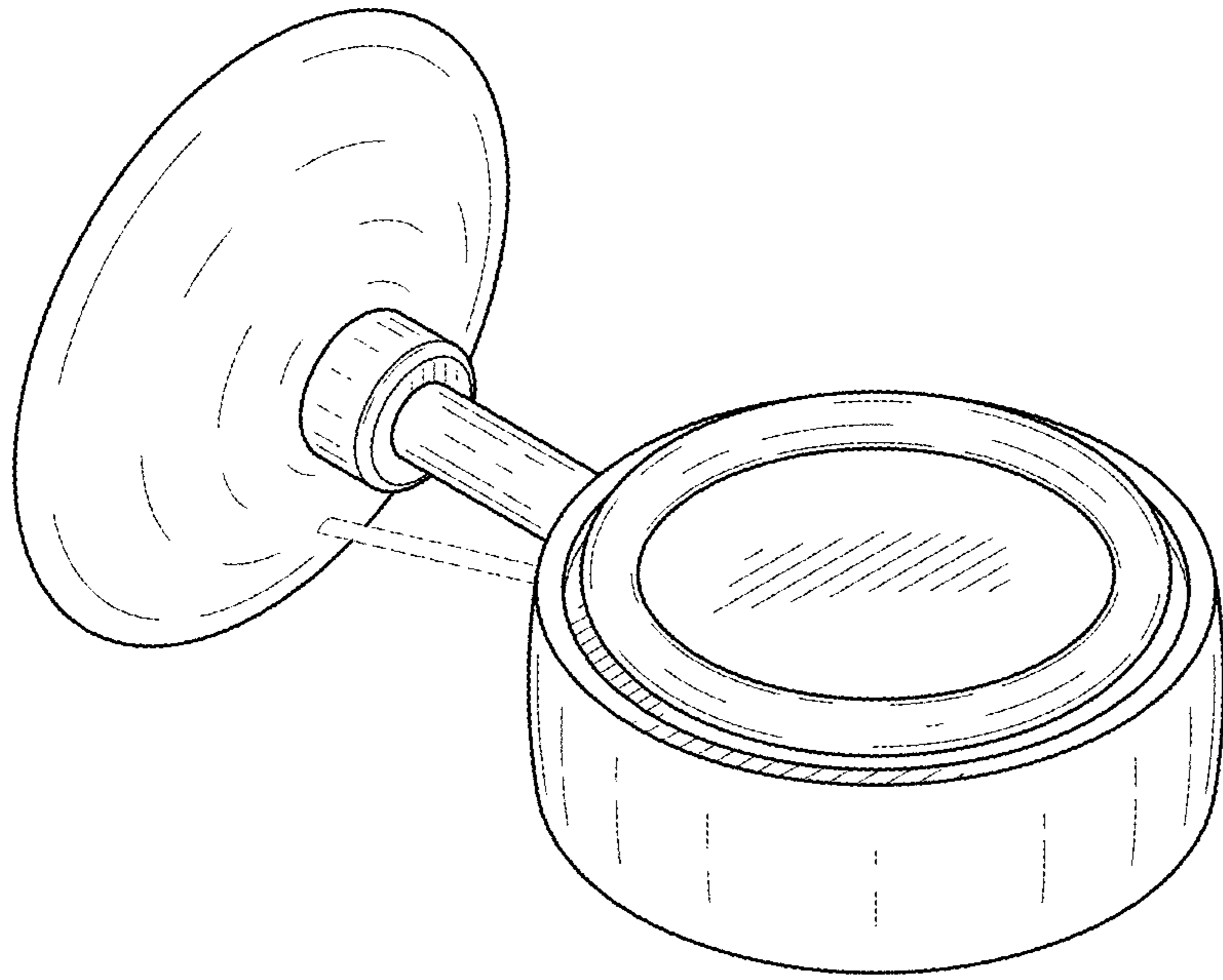


FIG. 1

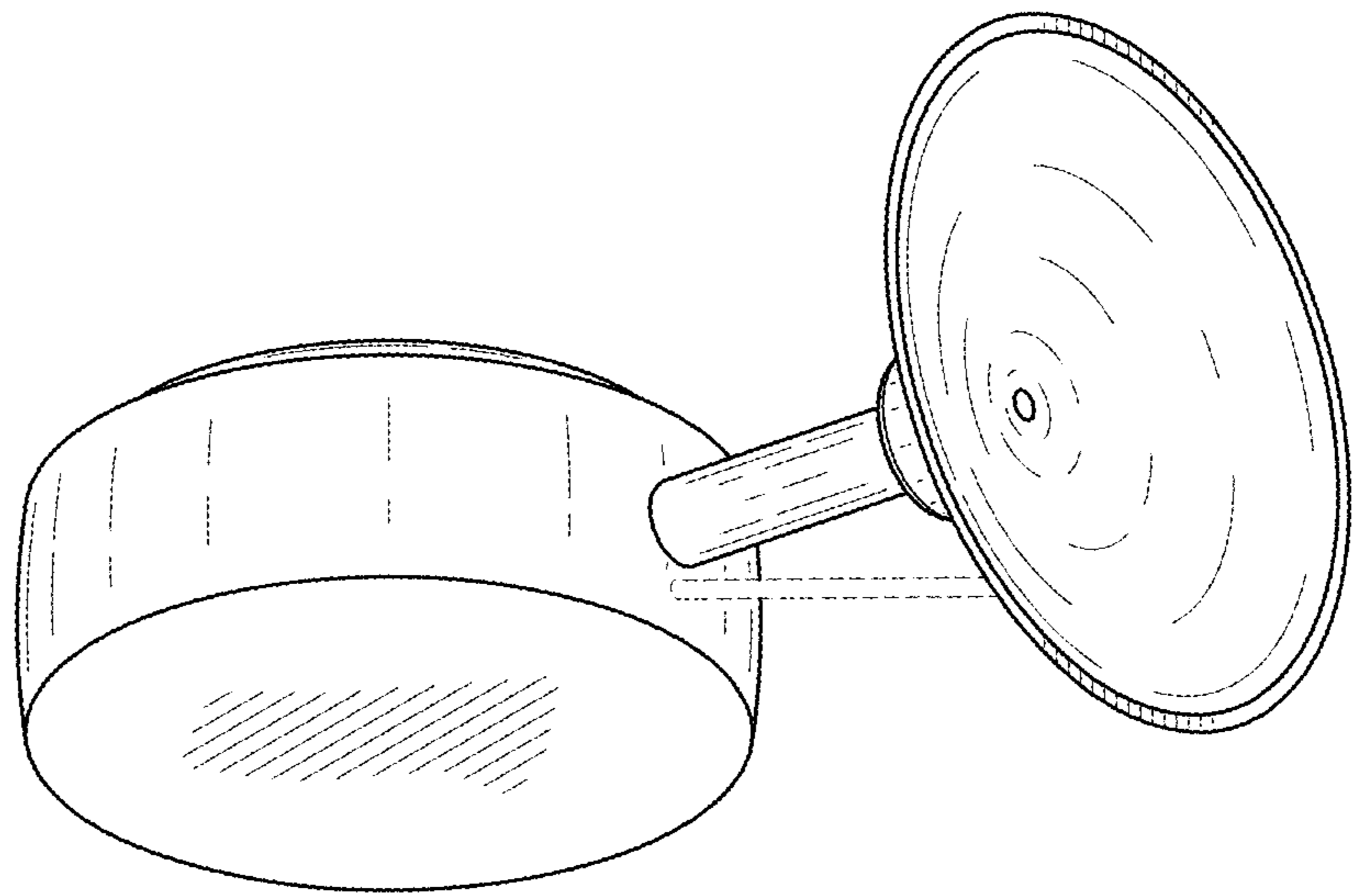


FIG. 2

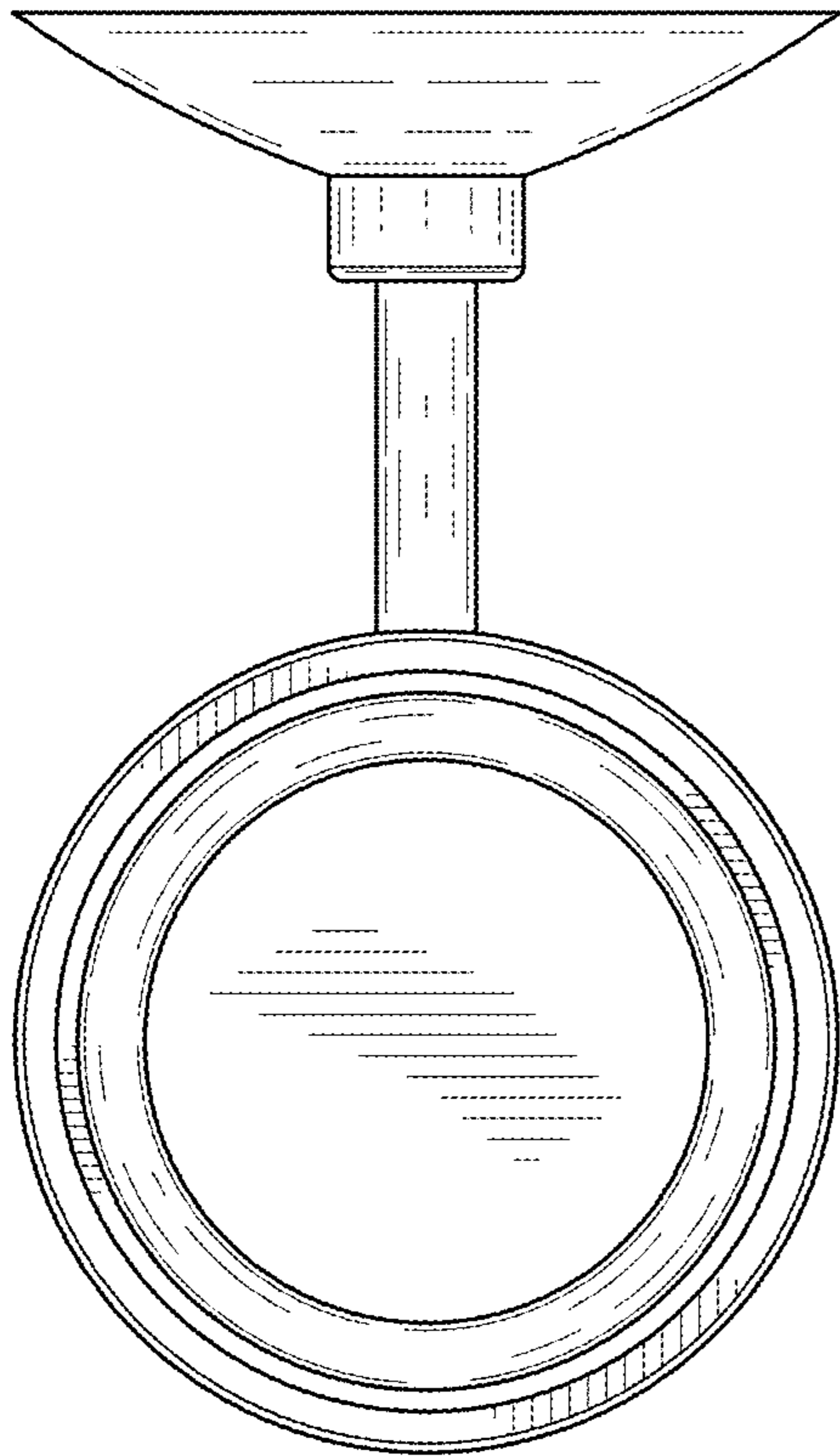


FIG. 3

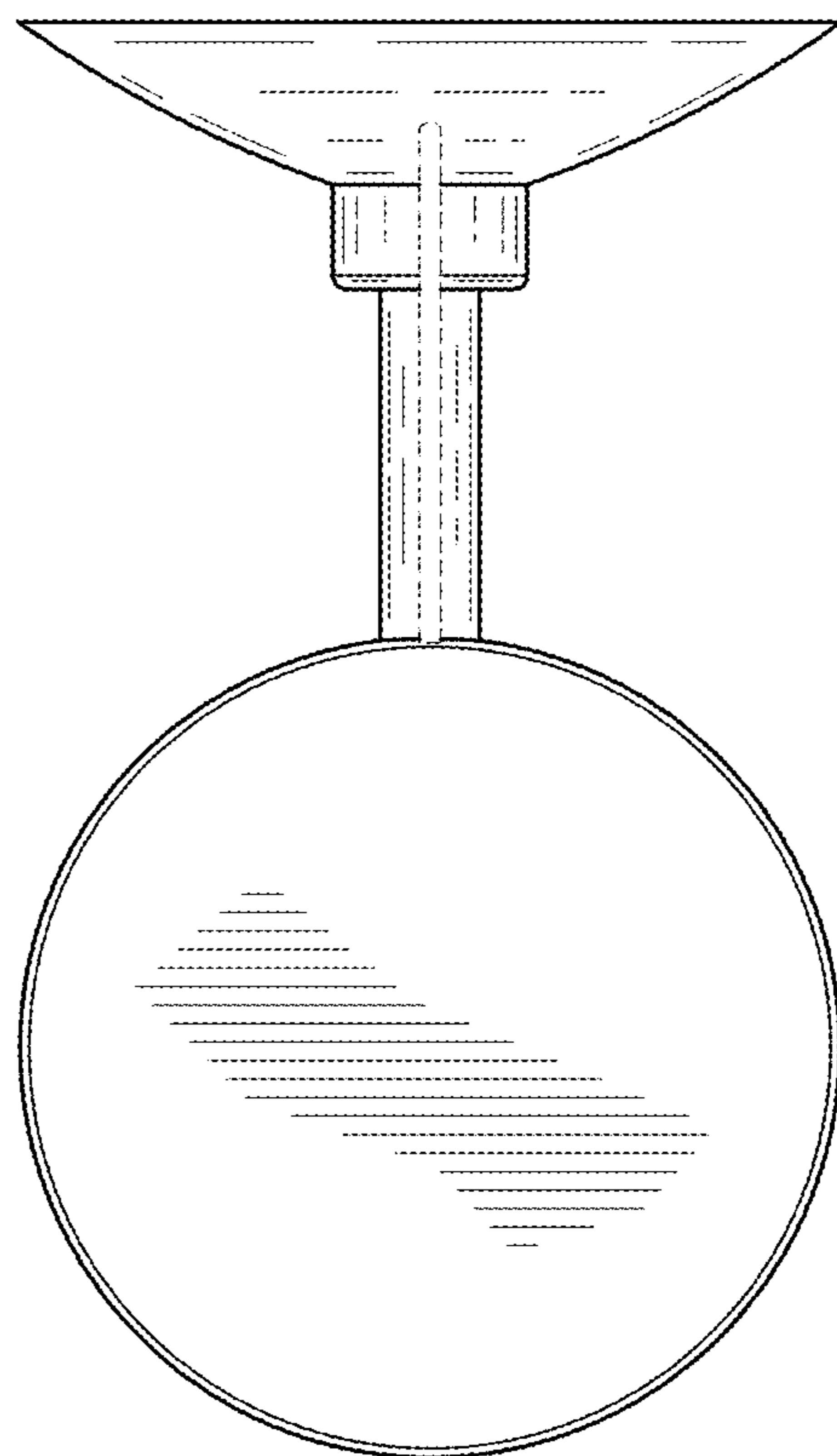


FIG. 4

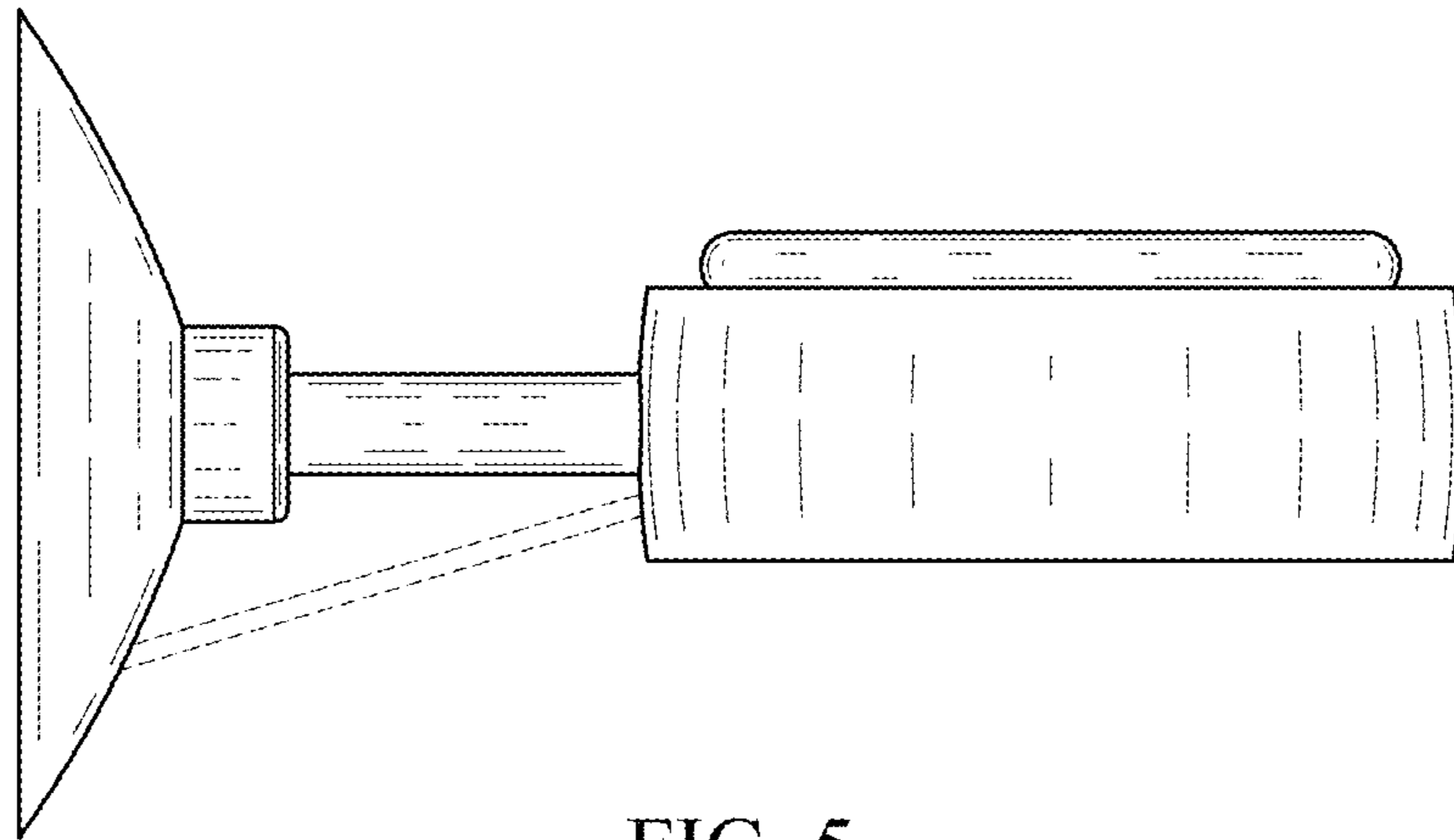


FIG. 5

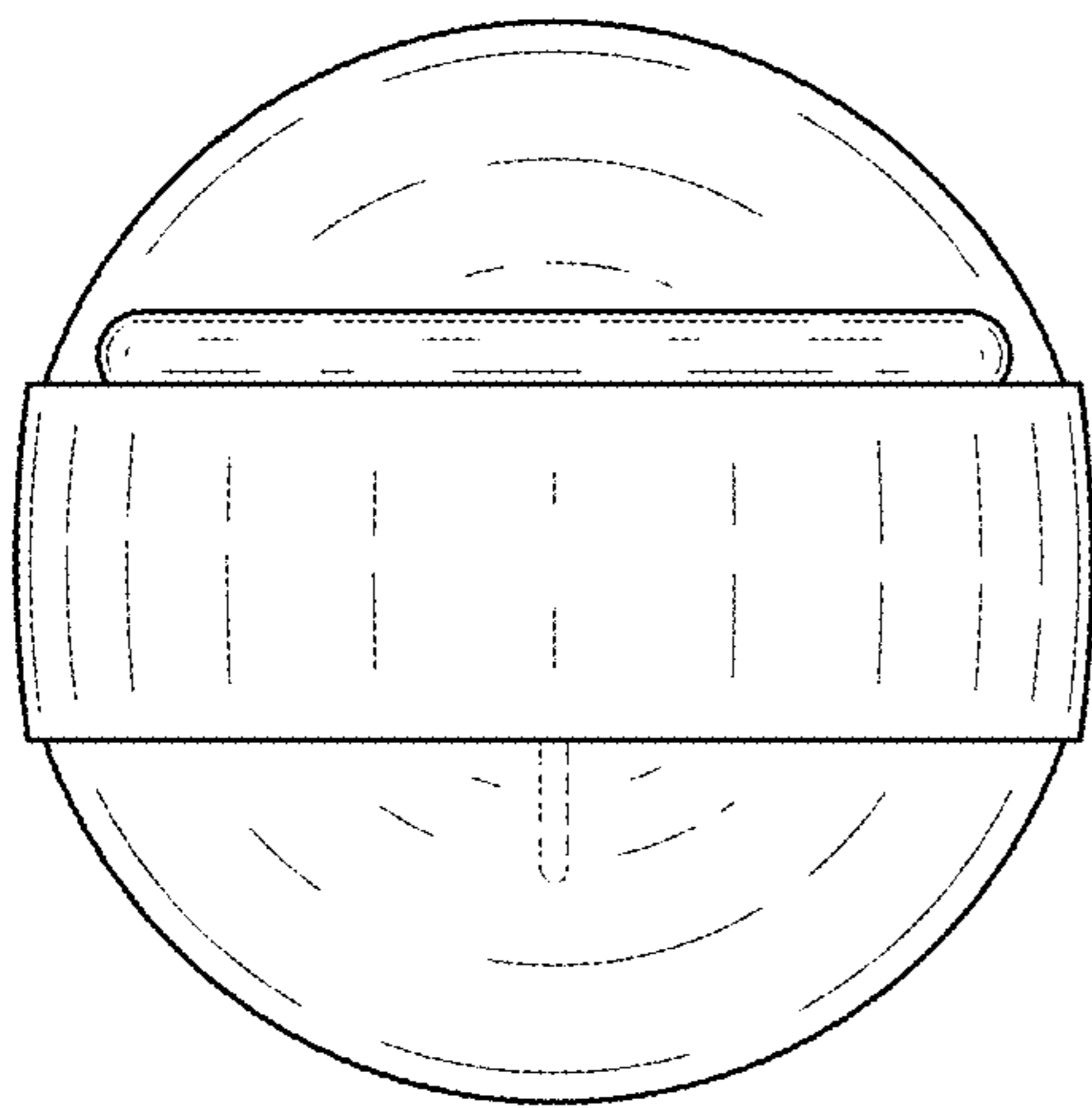


FIG. 6

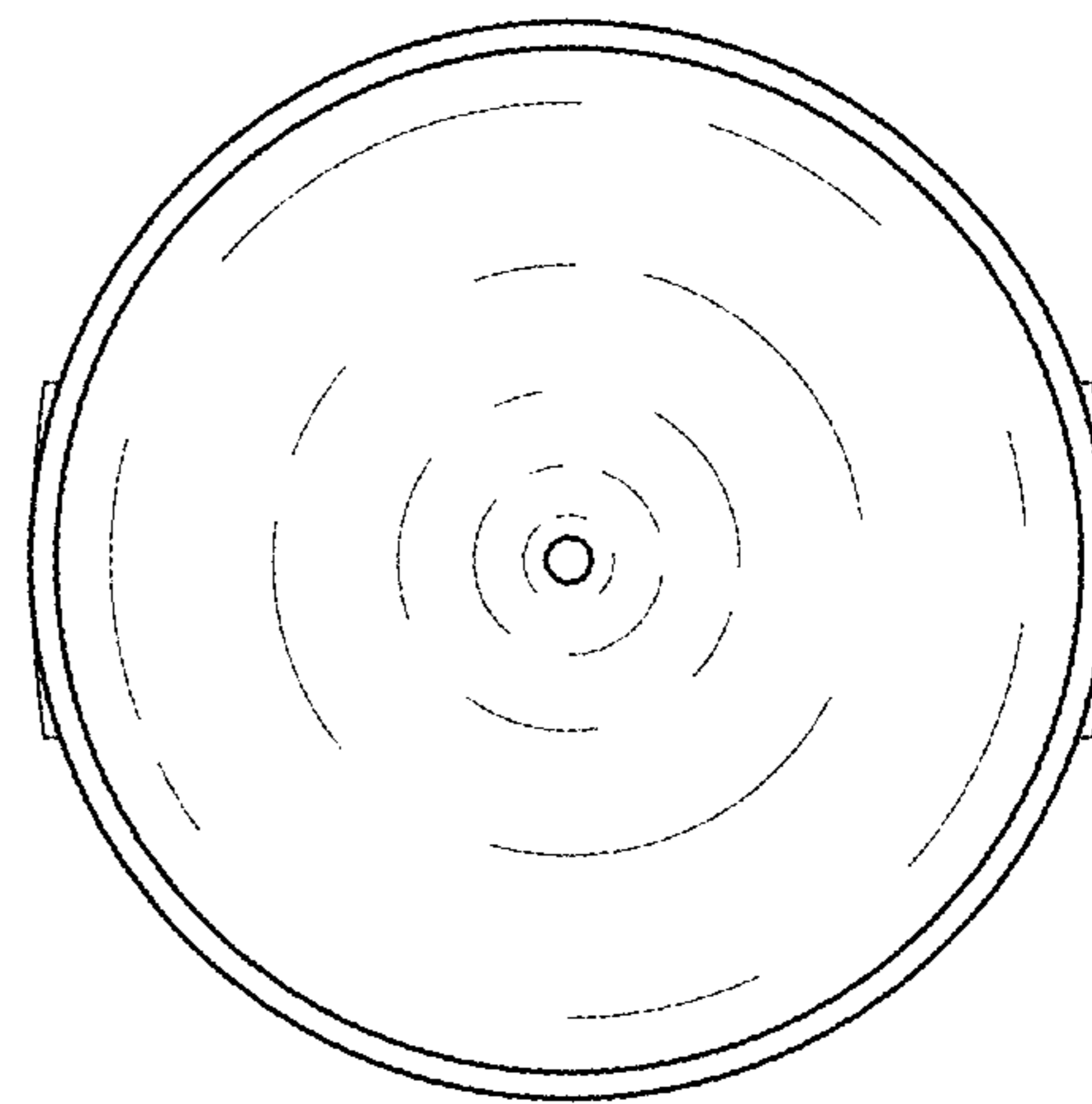


FIG. 7