



US00D887034S

(12) **United States Design Patent** (10) **Patent No.:** **US D887,034 S**
Chelf (45) **Date of Patent:** **** Jun. 9, 2020**

(54) **FILAMENT-STYLE LED ARRAY LIGHT**

OTHER PUBLICATIONS

- (71) Applicant: **Robert Bentley Chelf**, Kalispell, MT (US)
- (72) Inventor: **Robert Bentley Chelf**, Kalispell, MT (US)
- (**) Term: **15 Years**
- (21) Appl. No.: **29/679,919**
- (22) Filed: **Feb. 11, 2019**

- 6 Lights, Model 1903-PG-C, Tapered, obtained prior to Apr. 23, 2016, 1 pg.
- 6 Lights, Model 1903-PG-C, obtained prior to Apr. 23, 2016, 1 pg.
- 6 Luminaires, Model GX42222-BK, obtained prior to Apr. 23, 2016, 1 pg.
- Solar Pathway Lights, Model GX-12204-3, obtained prior to Apr. 23, 2016, 1 pg.
- Solar Pathway Lights, Model GX2268, obtained prior to Apr. 23, 2016, 1 pg.
- Solar Pathway Lights, Model GX-4220-6pk, obtained prior to Apr. 23, 2016, 1 pg.
- Solar Pathway Lights, Model N-S-1855, obtained prior to Apr. 23, 2016, 1 pg.
- Solar Pathway Lights, Model N-S-2269, obtained prior to Apr. 23, 2016, 1 pg.
- Various Light Images, Next Technology LLC, 15 pgs, obtained prior to Apr. 23, 2016, 15 pgs.
- “Hampton Bay Black Solar LED Pathway Outdoor Light (6-Pack)”, The Home Depot, Located Apr. 4, 2017, 2 pgs.

Related U.S. Application Data

- (63) Continuation of application No. 29/601,607, filed on Apr. 24, 2017, now Pat. No. Des. 840,581.
- (51) **LOC (12) Cl.** **26-01**
- (52) **U.S. Cl.**
USPC **D26/2**
- (58) **Field of Classification Search**
USPC D26/1-3
CPC F21V 29/004; F21V 13/00
See application file for complete search history.

* cited by examiner

Primary Examiner — Brian N. Vinson
(74) *Attorney, Agent, or Firm* — KPPB LLP

(56) **References Cited**

(57) **CLAIM**

U.S. PATENT DOCUMENTS

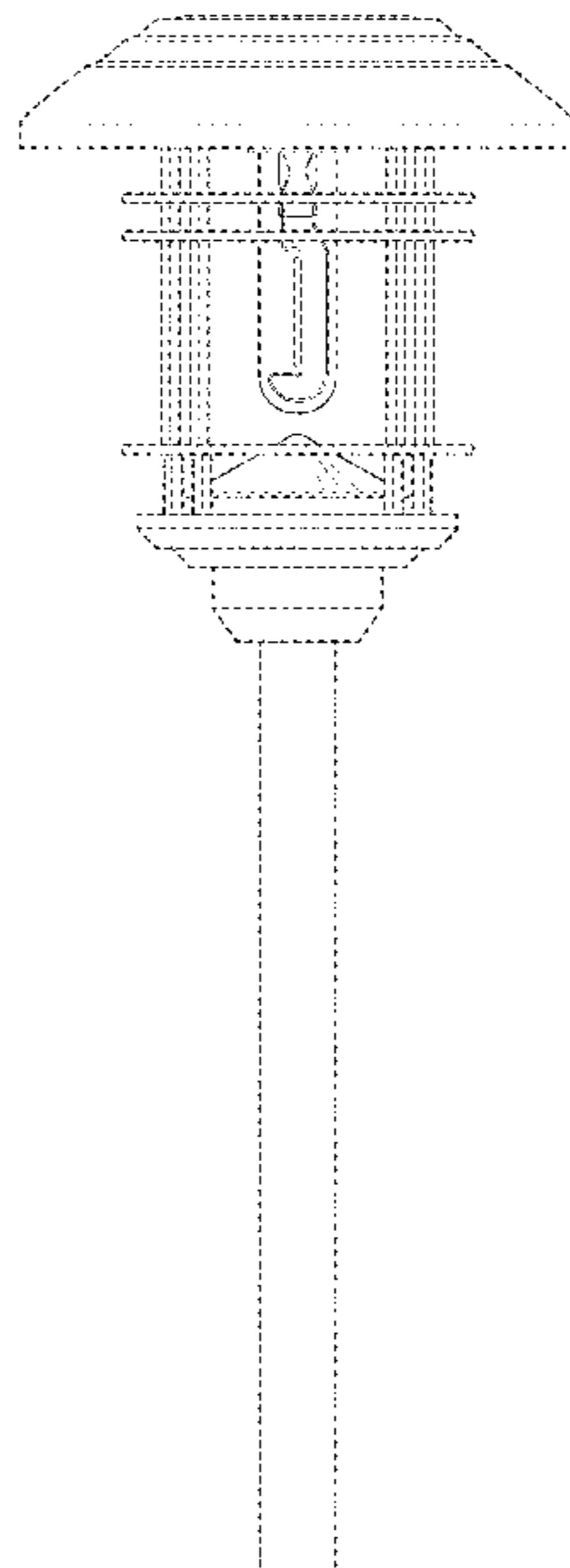
The ornamental design for a filament-style LED array light, as shown and described.

D496,484 S	9/2004	Lam	
D640,407 S	6/2011	Chen	
D671,663 S *	11/2012	Matsuda	D26/2
D707,380 S	6/2014	Sooferian	
D716,988 S	11/2014	Sooferian	
D751,747 S	3/2016	Nankil	
D793,585 S *	8/2017	Zhang	D26/2
D794,235 S	8/2017	Green	
D814,092 S	3/2018	Chen	
D815,770 S	4/2018	Galipeau et al.	
D821,015 S	6/2018	Peng	
D827,163 S *	8/2018	Jiang	D26/2
D869,008 S *	12/2019	Wang	D26/2

DESCRIPTION

FIG. 1 is a front elevation view of a filament-style LED array light, according to an embodiment of the invention. FIG. 2 is a top plan view of the embodiment. FIG. 3 is a bottom plan view of the embodiment; and, FIG. 4 is a perspective view of the embodiment. The features shown in broken lines do not form part of the claimed design.

1 Claim, 4 Drawing Sheets



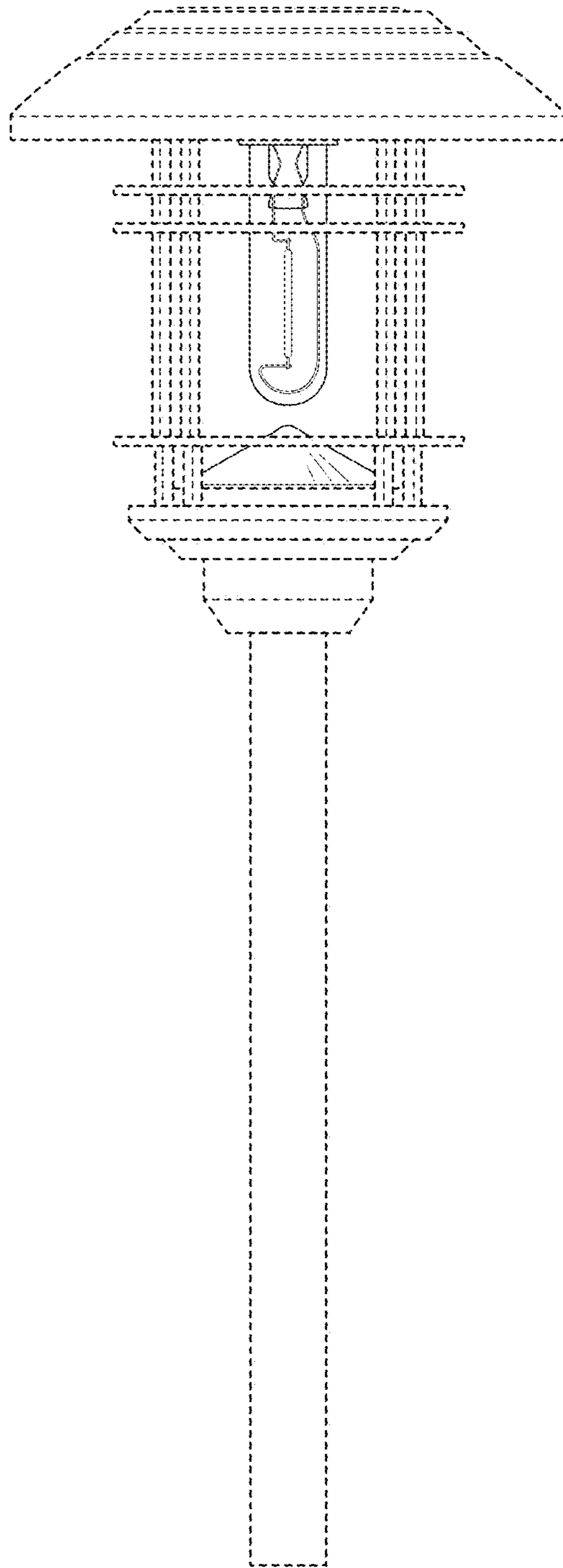


Fig. 1

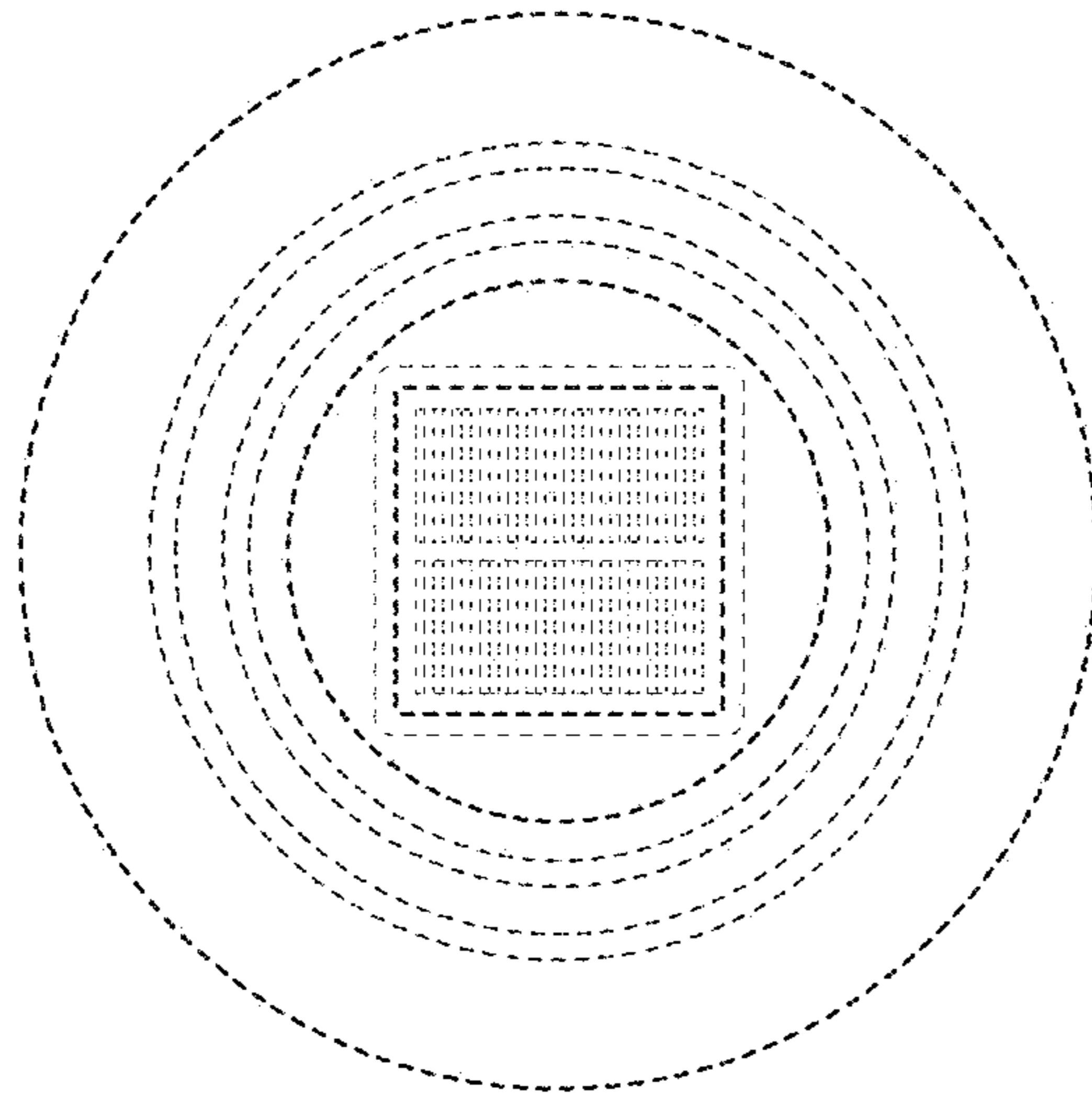


Fig. 2

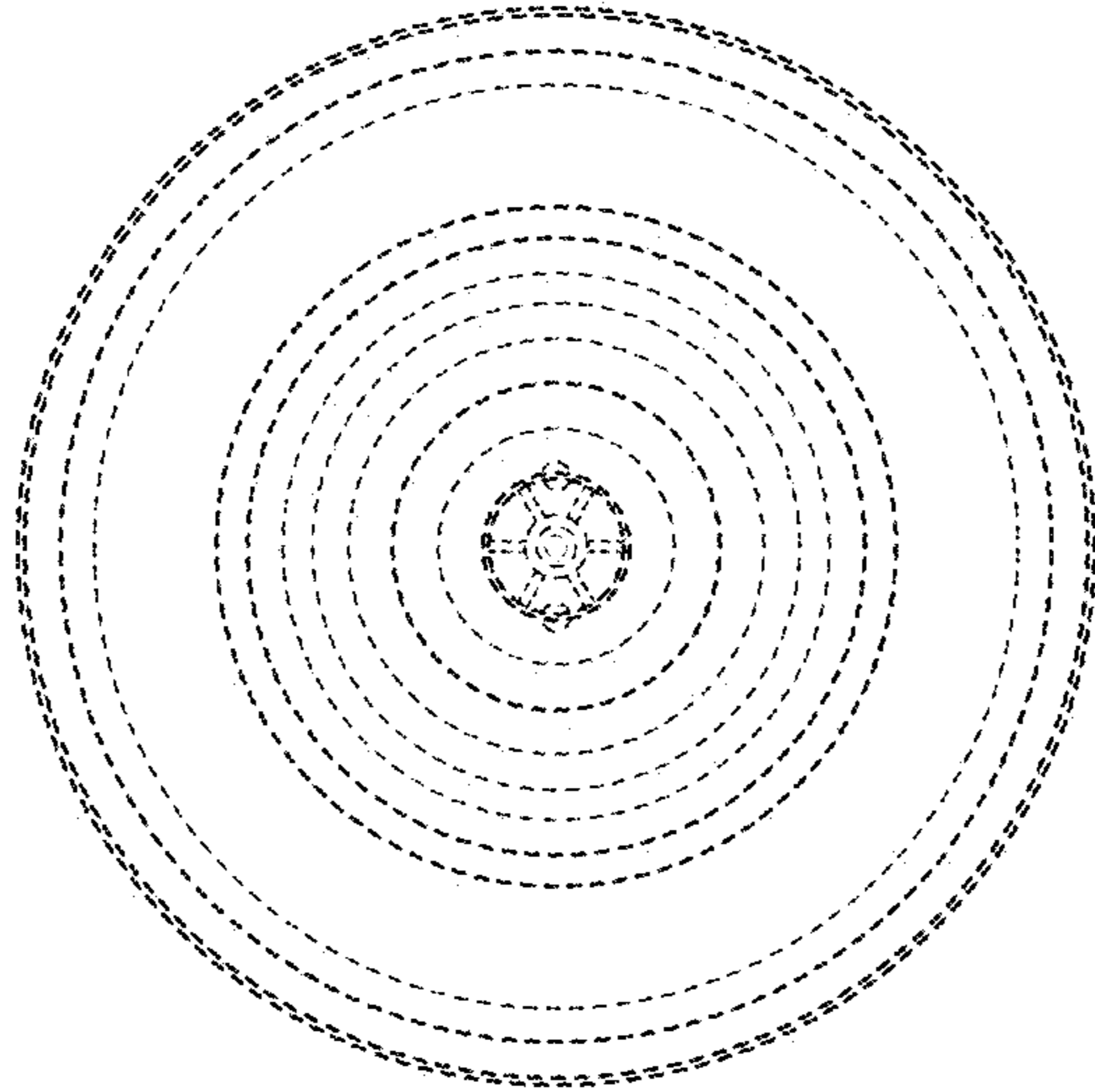


Fig. 3

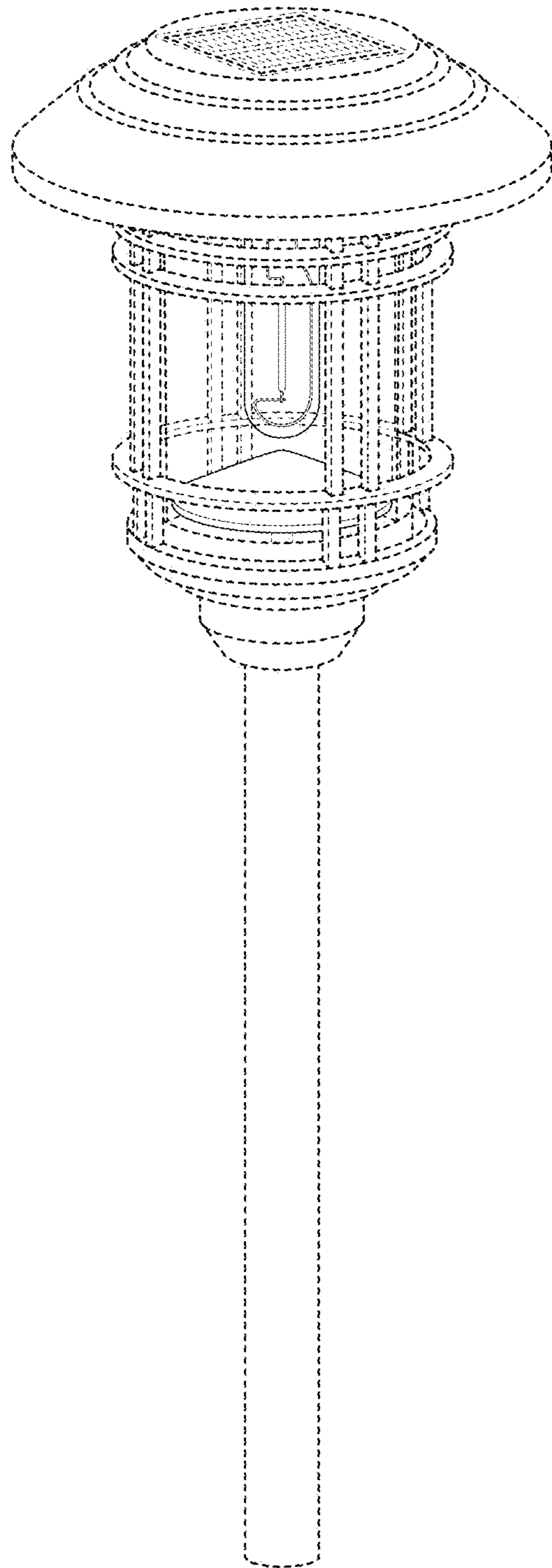


Fig. 4