



US00D887033S

(12) **United States Design Patent** (10) **Patent No.:** **US D887,033 S**
Roys et al. (45) **Date of Patent:** **** Jun. 9, 2020**

(54) **LED UNIVERSAL MOUNT WITH INTEGRATED LEDS**
(71) Applicants: **Curtis Alan Roys**, Fredericksburg, TX (US); **Sidney Howard Norton**, Odessa, TX (US)
(72) Inventors: **Curtis Alan Roys**, Fredericksburg, TX (US); **Sidney Howard Norton**, Odessa, TX (US)

6,685,385 B1 2/2004 Ledingham
7,213,941 B2 5/2007 Sloan et al.
7,478,924 B2 1/2009 Robertson
7,744,266 B2 6/2010 Higley et al.
D649,682 S 11/2011 Trzesniowski
D649,683 S 11/2011 Trzesniowski
D649,692 S 11/2011 Trzesniowski
D652,568 S 1/2012 Trzesniowski

(Continued)

(**) Term: **15 Years**

EP 1931006 A1 6/2008

(21) Appl. No.: **29/642,843**

FOREIGN PATENT DOCUMENTS

(22) Filed: **Apr. 2, 2018**

OTHER PUBLICATIONS

(51) **LOC (12) Cl.** **26-04**

U.S. Appl. No. 29/639,296, filed Mar. 5, 2018, Curtis Alan Roys.
U.S. Appl. No. 29/657,390, filed Jul. 20, 2018, Curtis Alan Roys.

(52) **U.S. Cl.** **D26/1**

USPC **D26/1**

(58) **Field of Classification Search**

USPC **D26/1-4**

CPC **H01R 5/00; H01R 13/46; H01R 13/514;**

H01R 31/048; H01R 31/02; H01J 5/00;

H01J 5/16; H01J 1/02; H01J 15/00; H01J

5/48; H01J 5/50; H01J 19/54; F21V 5/00;

F21K 9/00; F21K 29/004

See application file for complete search history.

Primary Examiner — Marcus A Jackson
(74) *Attorney, Agent, or Firm* — Scheinberg & Associates, PC; Michael O. Scheinberg

(57) **CLAIM**

We claim the ornamental design for an LED universal mount with integrated LEDs, as shown and described.

DESCRIPTION

FIG. 1 is an isometric view of an LED universal mount with integrated LEDs;

FIG. 2 is front elevation thereof;

FIG. 3 is a right elevation thereof;

FIG. 4 is a top plan view thereof;

FIG. 5 is a bottom plan view thereof; and,

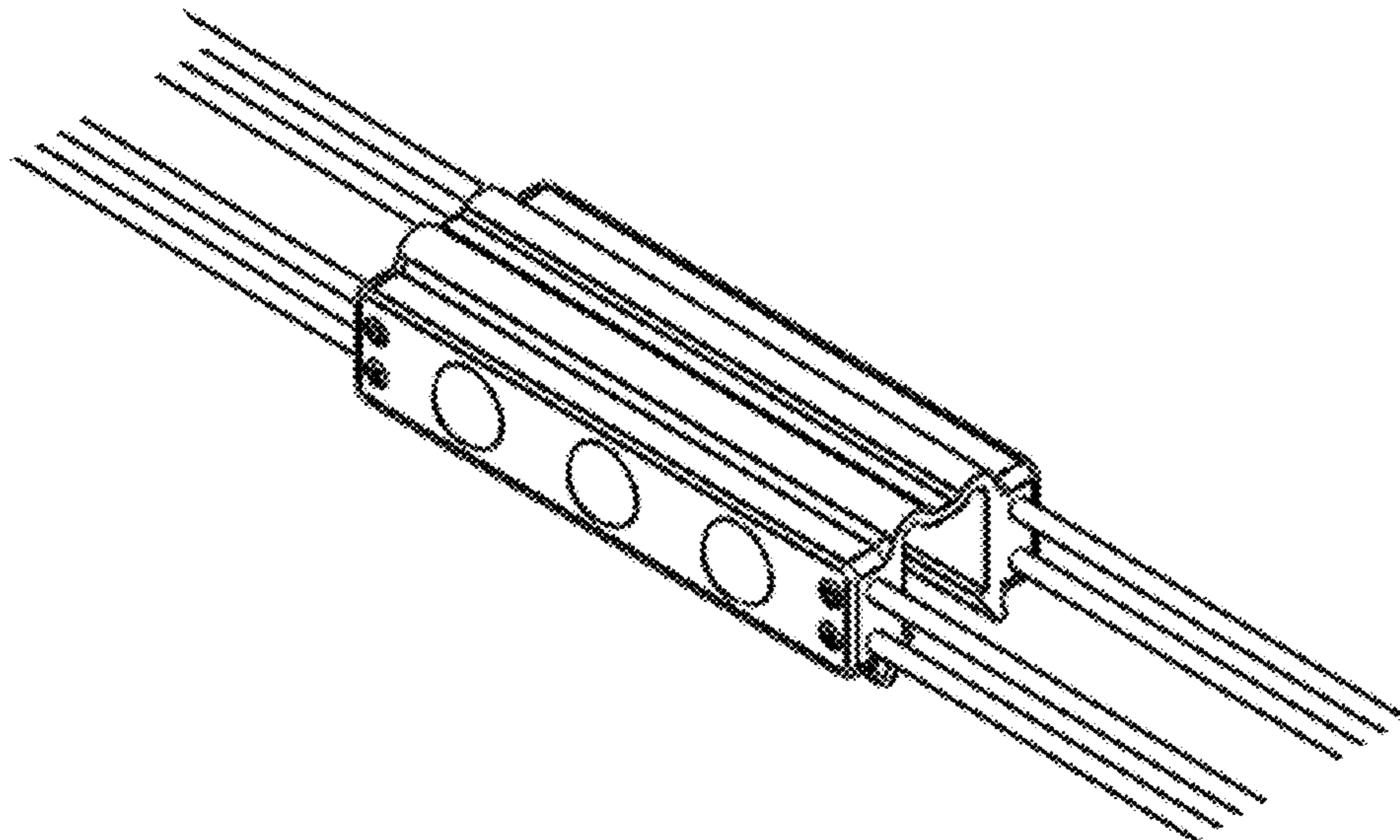
FIG. 6 is an isometric view of two LED universal mounts with integrated LEDs, each electrically connected to other. The left elevation is the same as the right elevation and the rear elevation is the same as the front elevation. The structures shown in dashed line form no part of the claimed design.

(56) **References Cited**

U.S. PATENT DOCUMENTS

799,065 A 9/1905 Kronstein
3,883,926 A 5/1975 Reynolds
3,894,225 A 7/1975 Chao
4,173,035 A 10/1979 Hoyt
4,439,818 A 3/1984 Scheib
5,288,047 A 2/1994 Pan
5,331,512 A 7/1994 Orton
5,559,681 A 9/1996 Duarte
6,056,418 A 5/2000 Hsu
6,109,765 A 8/2000 Blanton
6,216,987 B1 4/2001 Fukuo
6,267,342 B1 7/2001 Huang

1 Claim, 3 Drawing Sheets



(56)

References Cited

U.S. PATENT DOCUMENTS

D652,985 S	1/2012	Trzesniowski	D847,412 S	4/2019	Trzcielinski
D652,986 S	1/2012	Trzesniowski	D868,353 S	11/2019	Trzcielinski
D663,048 S *	7/2012	Chen D26/1	D868,355 S	11/2019	Trzcielinski
D665,518 S *	8/2012	Takahashi D26/1	10,488,020 B2	11/2019	Zanotto et al.
D666,328 S	8/2012	Morton	D869,070 S	12/2019	Trzcielinski
8,240,894 B2	8/2012	Sanroma et al.	D869,071 S	12/2019	Trzcielinski
D673,307 S *	12/2012	Moghal D26/1	D869,072 S	12/2019	Trzcielinski
8,449,145 B1	5/2013	Berry et al.	D869,073 S	12/2019	Trzcielinski
8,474,998 B2	7/2013	Wang et al.	D869,074 S	12/2019	Trzcielinski
D695,955 S	12/2013	Klus	D869,077 S	12/2019	Trzcielinski
D715,461 S *	10/2014	Chen D26/1	D869,078 S	12/2019	Trzcielinski
D724,257 S	3/2015	Klus	D869,080 S	12/2019	Trzcielinski
D724,259 S	3/2015	Klus	D869,081 S	12/2019	Trzcielinski
D724,260 S	3/2015	Klus	D876,001 S	2/2020	Sugiyama et al.
D775,409 S	12/2016	Klus	D876,714 S	2/2020	Klus
D775,410 S	12/2016	Klus	D877,402 S	3/2020	Klus
D792,017 S	7/2017	Klus	2006/0039142 A1	2/2006	Temple
D796,110 S	8/2017	Klus	2007/0242466 A1	10/2007	Wu
D798,471 S	9/2017	Tremaine et al.	2008/0158858 A1	7/2008	Madireddi et al.
D799,065 S	10/2017	Tremaine et al.	2009/0121988 A1	5/2009	Amo et al.
D802,176 S *	11/2017	Tan D26/1	2009/0146910 A1	6/2009	Gardner
D807,572 S	1/2018	Klus	2009/0296381 A1	12/2009	Dubord
D809,704 S	2/2018	Klus	2011/0019413 A1	1/2011	Zimmerman et al.
D818,187 S	5/2018	Trzesniowski	2011/0058357 A1	3/2011	Anderson
D818,188 S	5/2018	Trzesniowski	2011/0058377 A1	3/2011	Chou et al.
D818,189 S	5/2018	Trzesniowski	2011/0134640 A1	6/2011	Bertele
D818,194 S	5/2018	Trzesniowski	2012/0298813 A1	11/2012	Gibbons et al.
D831,465 S	10/2018	MacDonald et al.	2013/0333197 A1	12/2013	Schulte et al.
D834,398 S	11/2018	MacDonald et al.	2015/0144760 A1	5/2015	Paradiso
D834,399 S	11/2018	MacDonald et al.	2015/0308631 A1	10/2015	Gorman et al.
D845,516 S	4/2019	Yuan	2017/0023186 A1	1/2017	Norton et al.
			2019/0293269 A1	9/2019	Roys et al.
			2019/0309933 A1	10/2019	Norton et al.

* cited by examiner

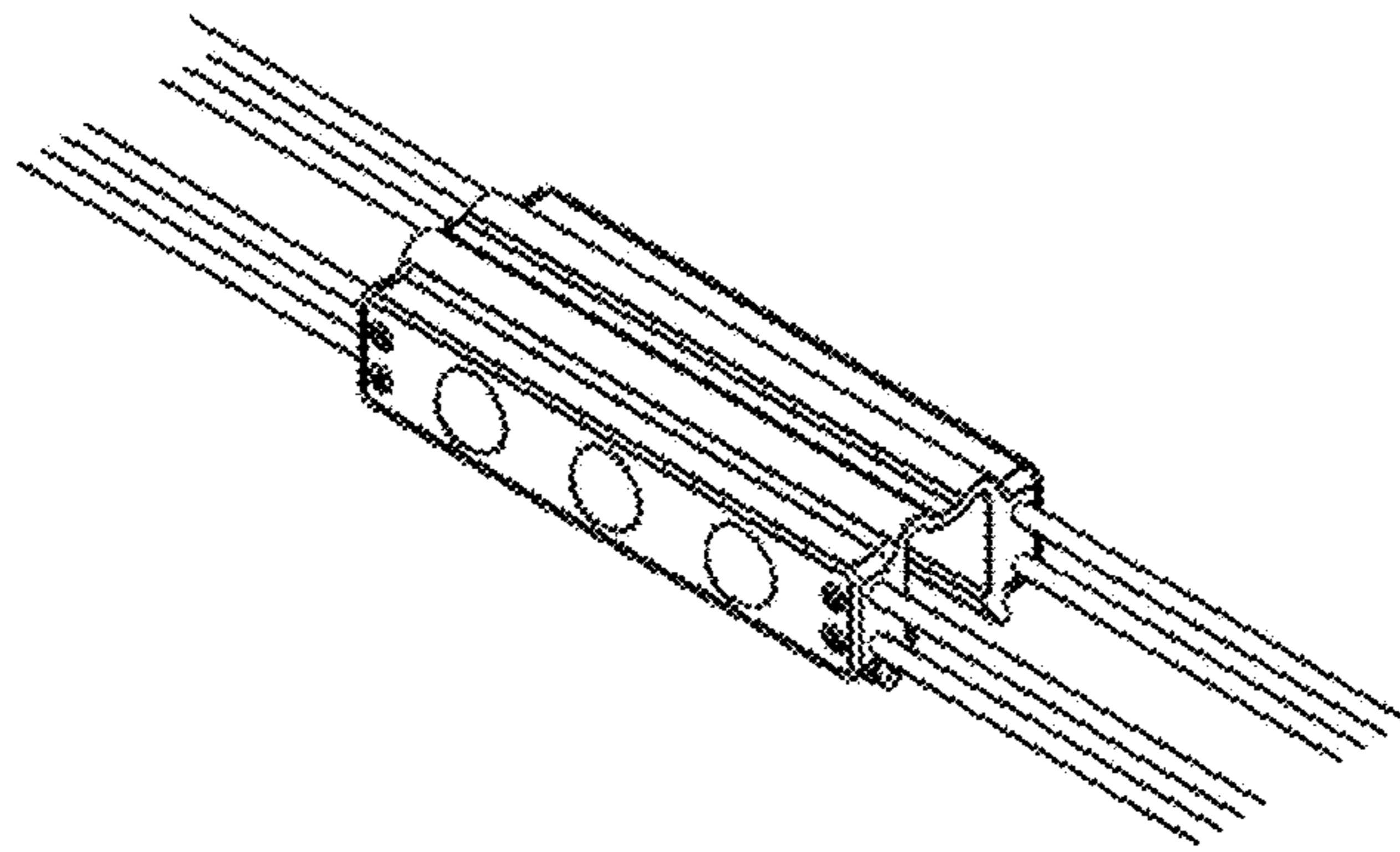


FIG. 1

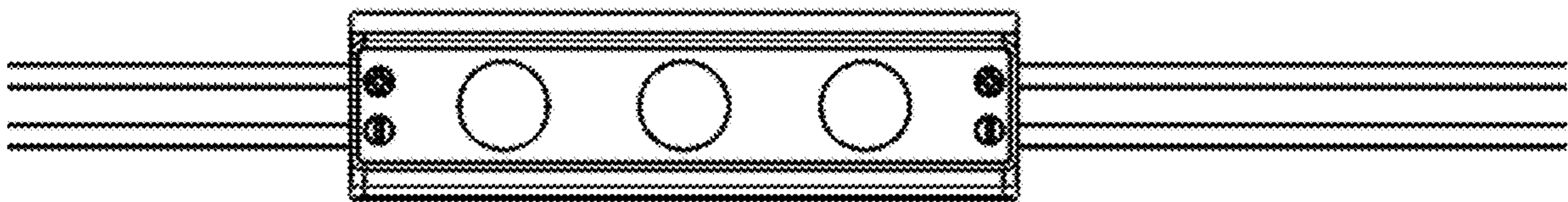


FIG. 2

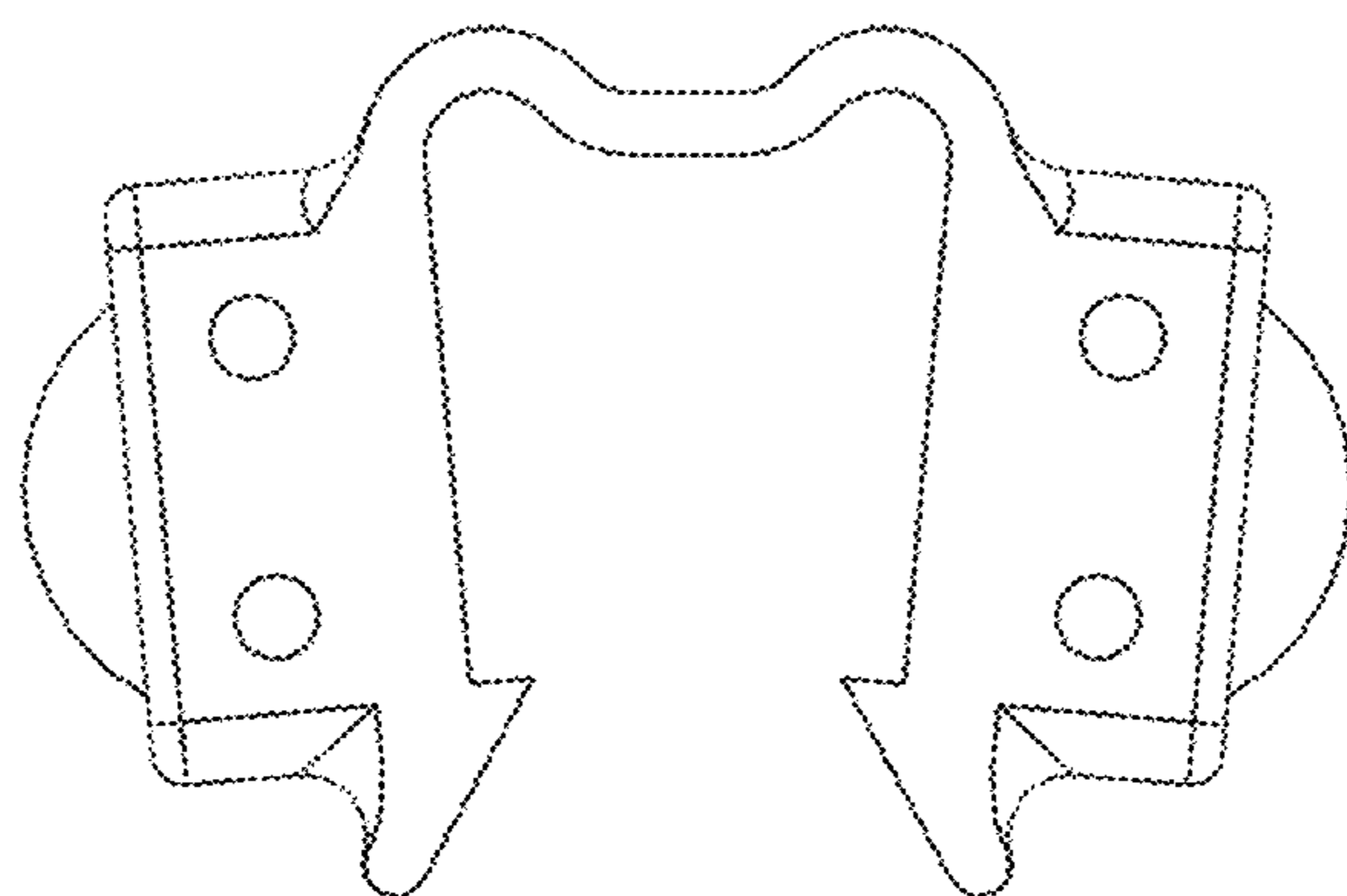


FIG. 3

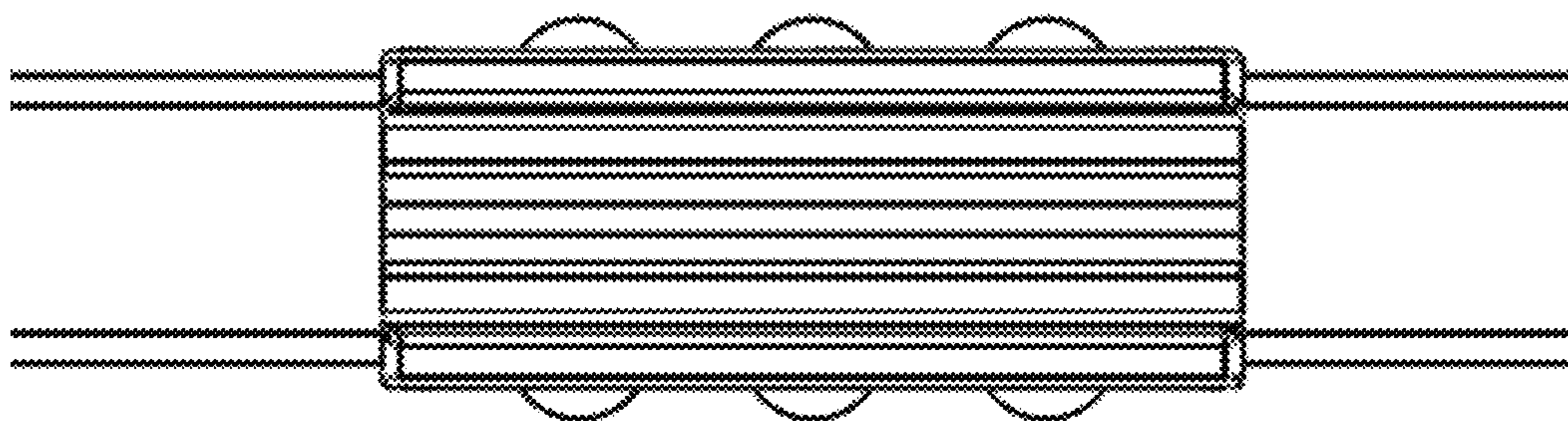


FIG. 4

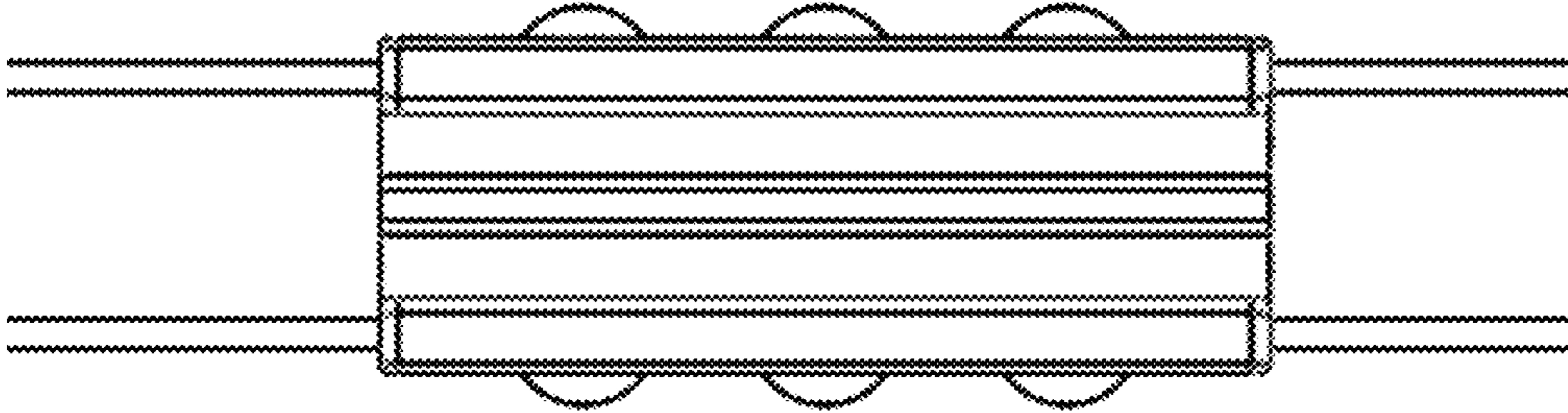


FIG. 5

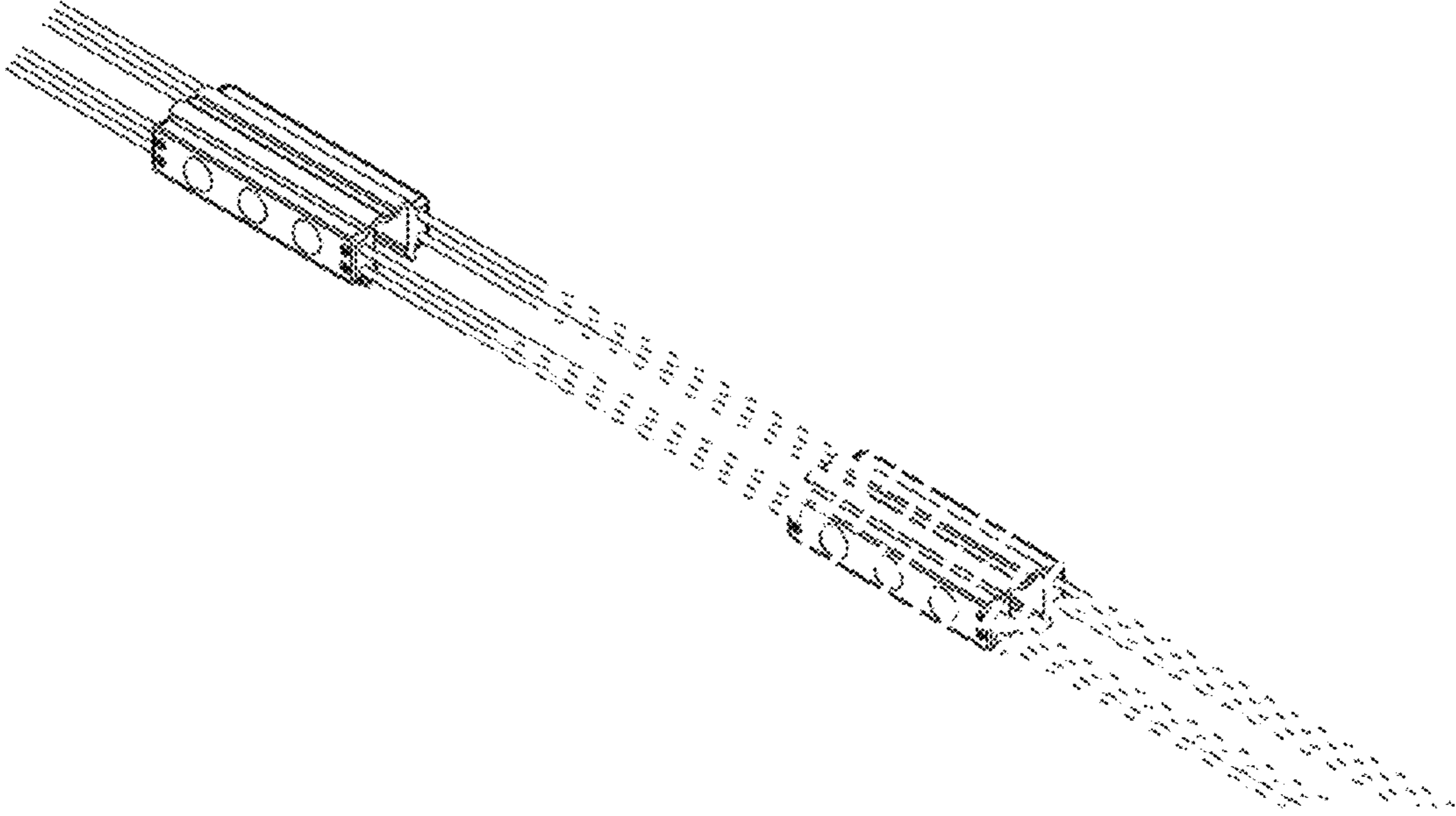


FIG. 6