



US00D887026S

(12) **United States Design Patent**
Foley

(10) **Patent No.:** **US D887,026 S**
(45) **Date of Patent:** **** Jun. 9, 2020**

(54) **MAST BASE CONNECTOR**

FOREIGN PATENT DOCUMENTS

- (71) Applicant: **P4 Infrastructure, Inc.**, Milwaukee, WI (US)
- (72) Inventor: **Christopher M. Foley**, Milwaukee, WI (US)
- (73) Assignee: **P4 Infrastructure, Inc.**, Milwaukee, WI (US)
- (**) Term: **15 Years**

EP 1617015 B1 9/2009
Primary Examiner — Samantha Q Lawrence
 (74) *Attorney, Agent, or Firm* — Reinhart Boerner Van Deuren s.c.

(57) **CLAIM**

I claim the ornamental design for a mast base connector, as shown and described.

DESCRIPTION

- (21) Appl. No.: **29/643,840**
- (22) Filed: **Apr. 12, 2018**
- (51) **LOC (12) Cl.** **25-01**
- (52) **U.S. Cl.**
USPC **D25/133**
- (58) **Field of Classification Search**
USPC D25/38, 43, 125, 126, 127, 128, 129, D25/130, 131, 132, 133, 134, 135, 136, D25/38.1; D8/354; 52/169.9; 343/798; 248/156, 346.01, 346.03, 535, 903
CPC ... E04H 12/2261; E04H 12/08; E04H 12/085; E04H 12/2269; E01F 9/696; E04C 3/32; F16B 2200/50; F16F 15/02; Y10T 403/7117
See application file for complete search history.

FIG. 1 is a top front quarter perspective view of a first embodiment of a mast base connector;
 FIG. 2 is a top rear quarter perspective view thereof;
 FIG. 3 is a bottom rear quarter perspective view thereof;
 FIG. 4 is a bottom front quarter perspective thereof;
 FIG. 5 is a front view thereof;
 FIG. 6 is a rear view thereof;
 FIG. 7 is a right view thereof;
 FIG. 8 is a left view thereof;
 FIG. 9 is a top view thereof;
 FIG. 10 is a bottom view thereof;
 FIG. 11 is a top front quarter perspective view of a first embodiment of a mast base connector;
 FIG. 12 is a top rear quarter perspective thereof;
 FIG. 13 is a bottom rear quarter perspective view thereof;
 FIG. 14 is a bottom front quarter perspective view thereof;
 FIG. 15 is a front view thereof;
 FIG. 16 is a rear view thereof;
 FIG. 17 is a right view thereof;
 FIG. 18 is a left view thereof;
 FIG. 19 is a top view thereof; and,
 FIG. 20 is a bottom view thereof.

The broken dot-dash lines shown in FIGS. 1-5, 7-9, 11, 13-15, 17 and 18 illustrate the bounds of the claim. The remaining broken lines shown in FIGS. 1-5, 7-16, and 17-20 illustrate portions of the mast base connector and form no part of the claimed design.

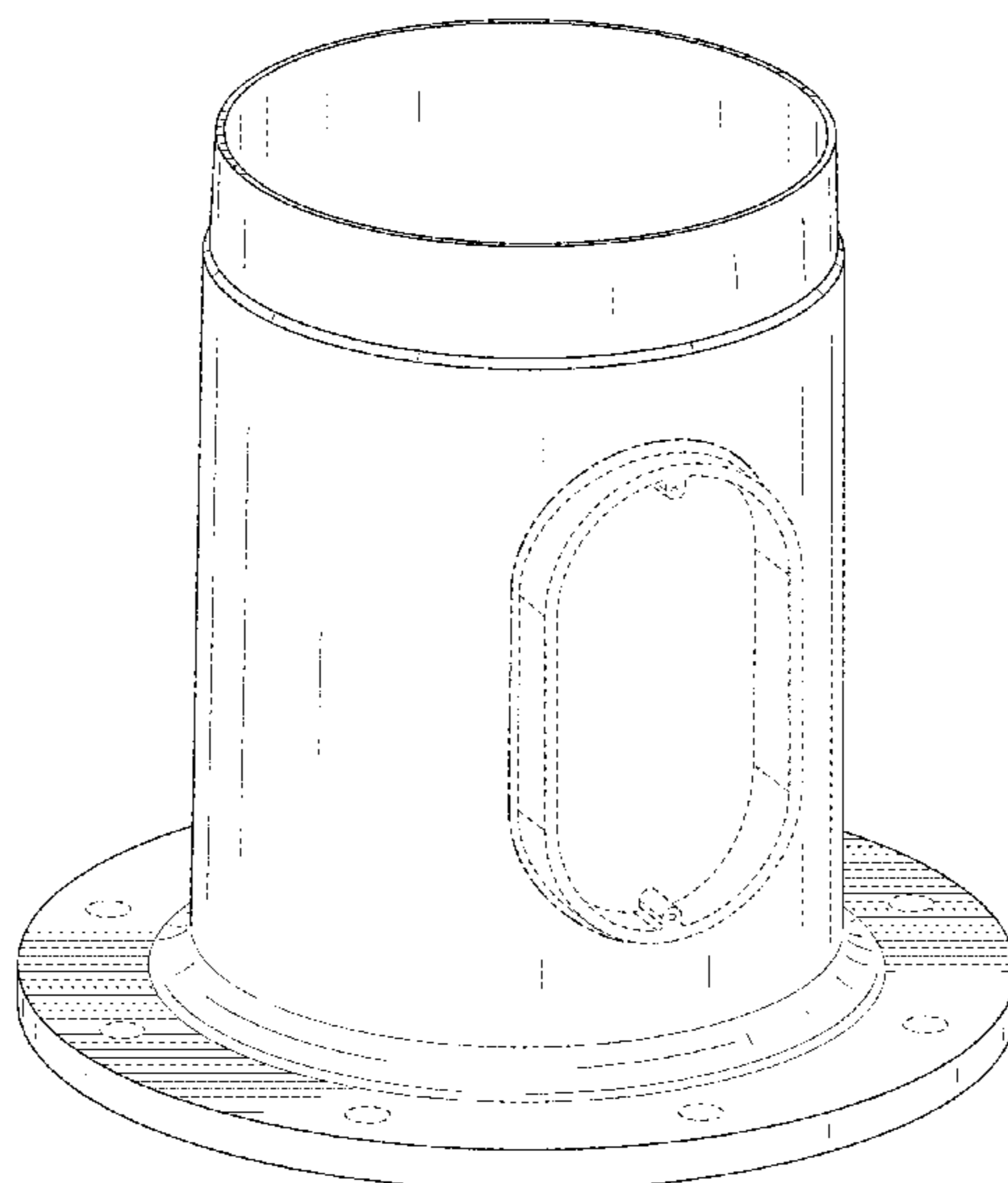
(56) **References Cited**

U.S. PATENT DOCUMENTS

- | | | | |
|----------------|---------|------------|-----------------------------|
| 3,444,512 A | 5/1969 | Reinitz | |
| 3,854,685 A | 12/1974 | Parduhn | |
| 3,952,978 A | 4/1976 | Reinitz | |
| 4,914,258 A * | 4/1990 | Jackson | E04H 12/003
138/92 |
| 5,481,846 A | 1/1996 | Macchietto | |
| 6,216,414 B1 * | 4/2001 | Feldberg | E04C 3/32
248/525 |

(Continued)

1 Claim, 20 Drawing Sheets



(56)

References Cited

U.S. PATENT DOCUMENTS

6,712,330 B1 * 3/2004 Damiano E04H 12/2261
248/519
6,820,389 B1 11/2004 Macchietto
6,833,505 B1 * 12/2004 Macchietto H02G 3/14
174/38
6,857,615 B2 2/2005 Puckett et al.
6,857,808 B1 * 2/2005 Sugimoto E04B 1/2403
403/41
D599,915 S * 9/2009 Godwin E04C 3/32
D25/133
D602,175 S * 10/2009 Droomer D25/133
7,694,476 B2 4/2010 Cook et al.
7,694,487 B1 * 4/2010 Ryan E04H 12/2269
248/156
D625,029 S * 10/2010 Badgley D25/125
8,074,955 B2 * 12/2011 Kumar E04H 12/2261
248/346.01
D673,306 S * 12/2012 Chung D25/133
D696,835 S * 12/2013 Rogerson D99/43
8,756,874 B2 6/2014 Hurlebaus et al.
8,757,598 B1 * 6/2014 Jones E04H 12/2276
248/346.03
9,343,887 B2 * 5/2016 Butler H02G 1/06
10,193,320 B1 * 1/2019 Milligan H02G 7/20
2006/0232490 A1 * 10/2006 Bisiules H01Q 1/246
343/797
2012/0240498 A1 9/2012 Hurlebaus et al.
2019/0236944 A1 * 8/2019 Diekfuss G08G 1/095

* cited by examiner

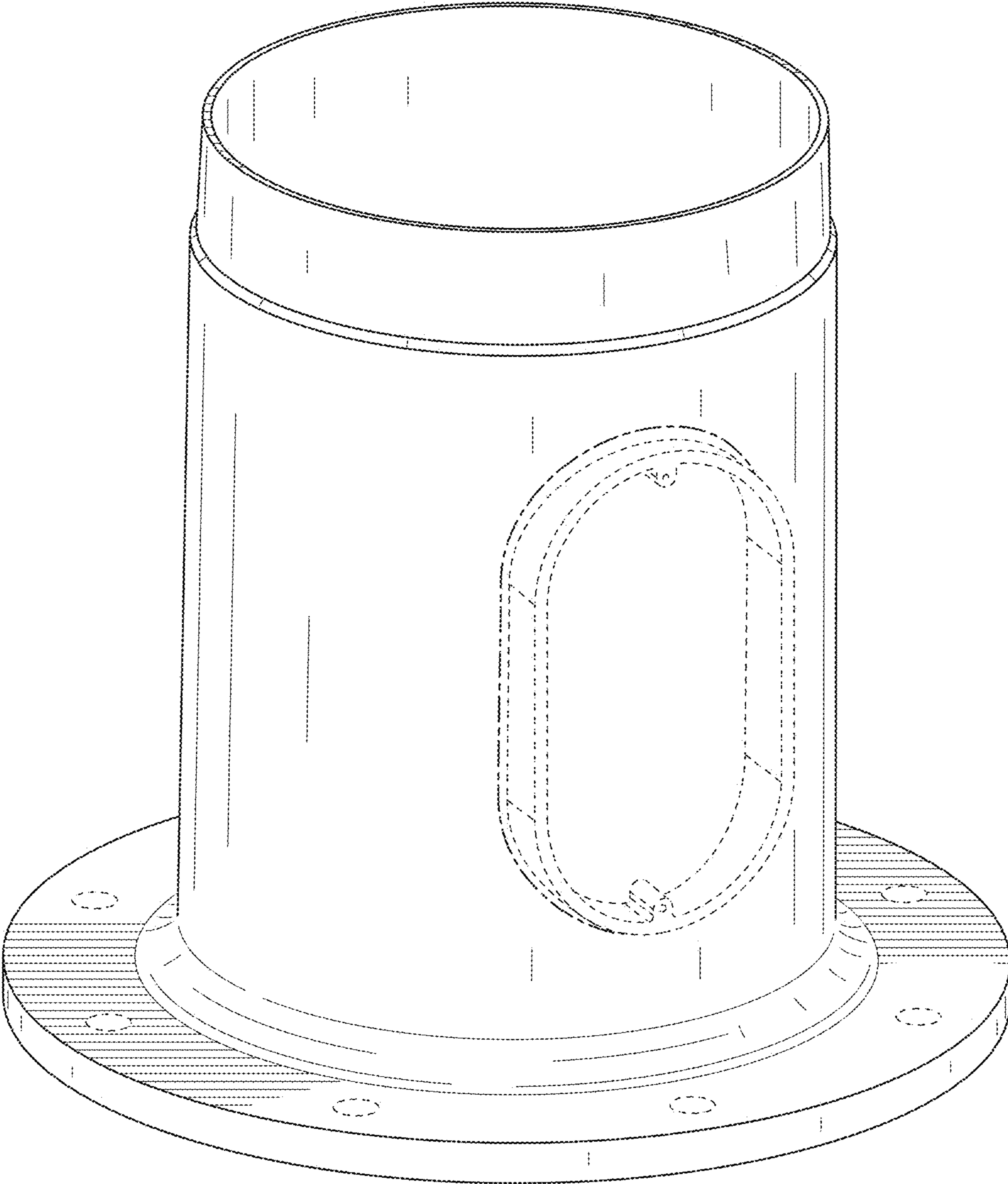


FIG. 1

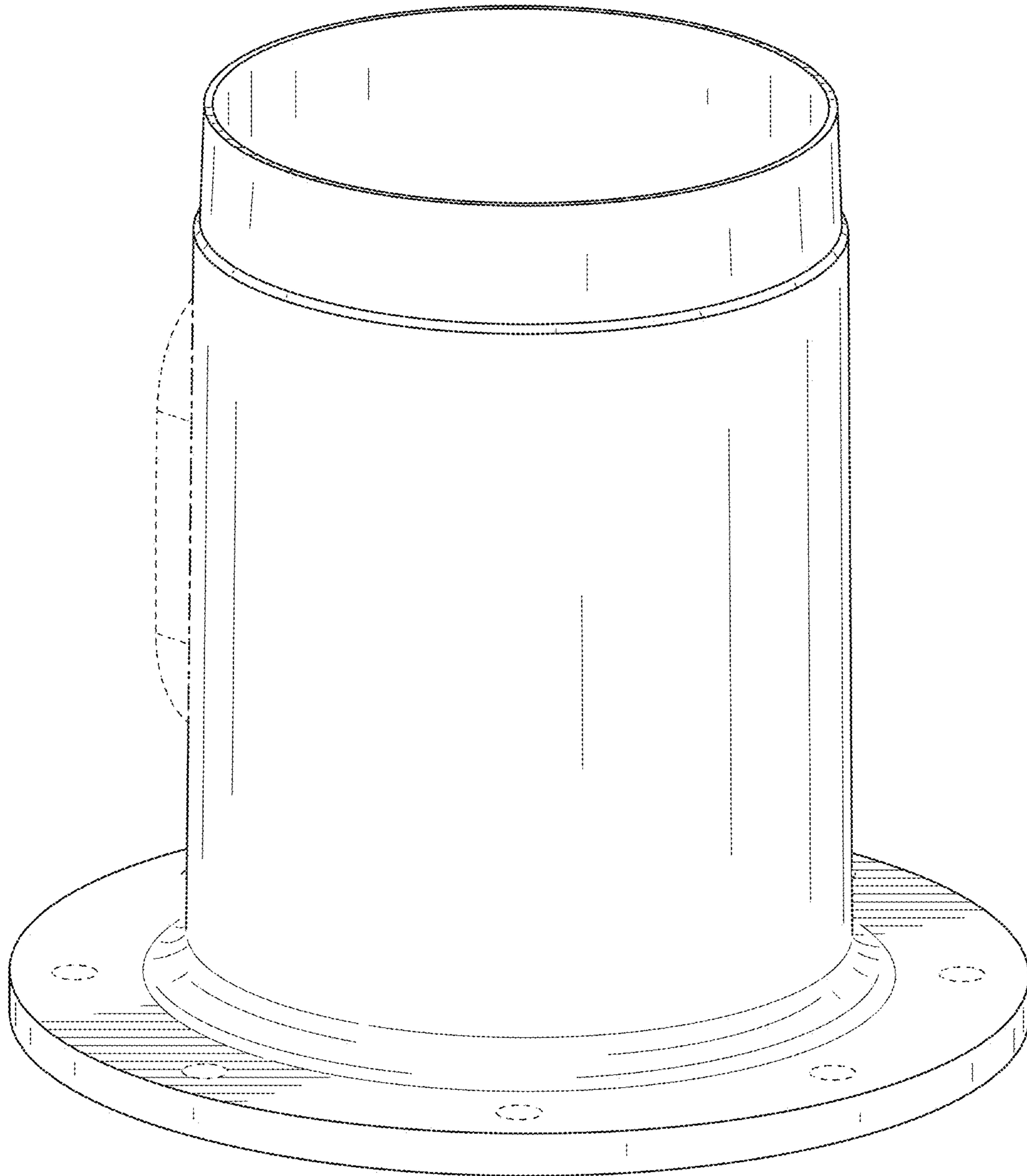


FIG. 2

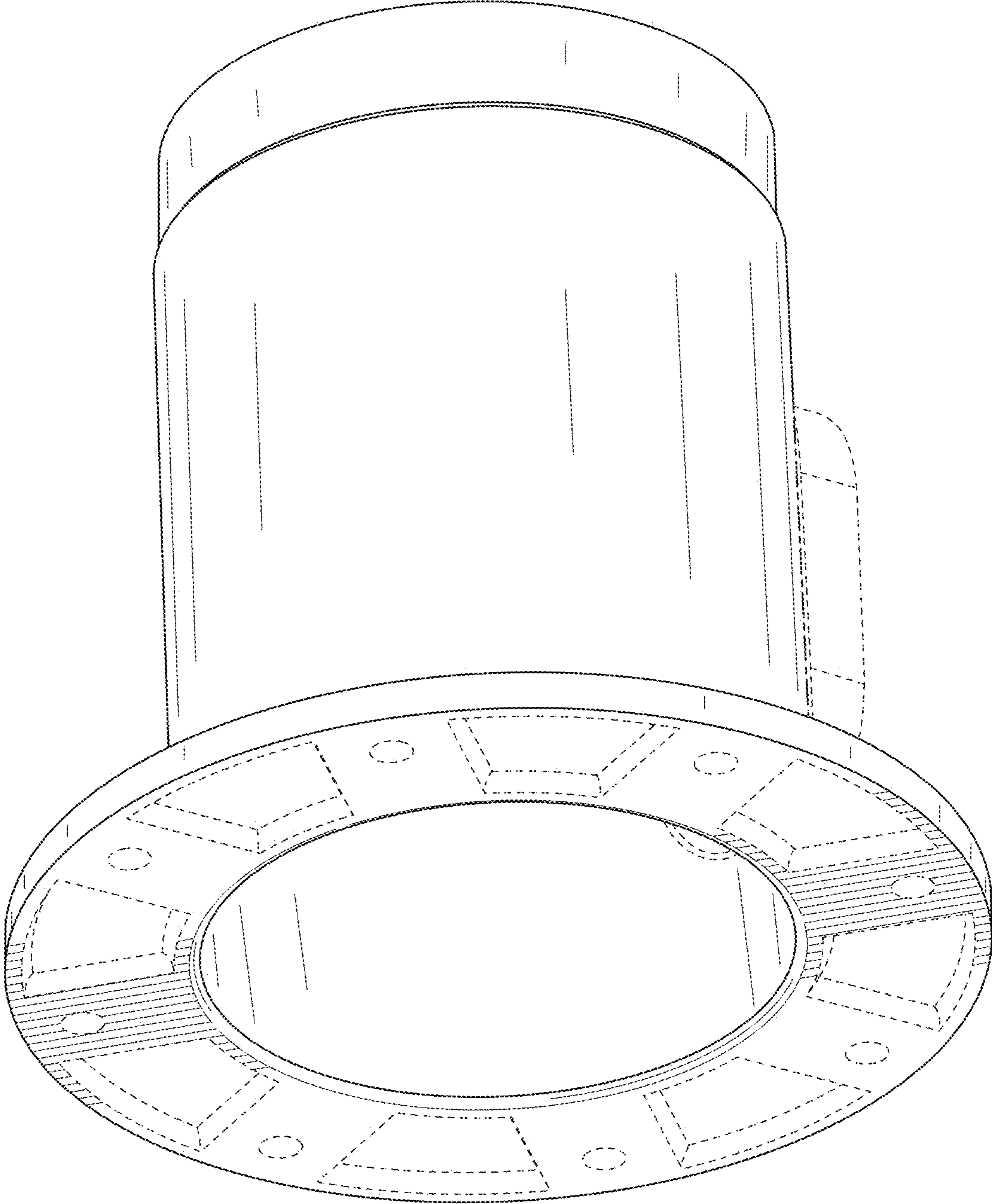


FIG. 3

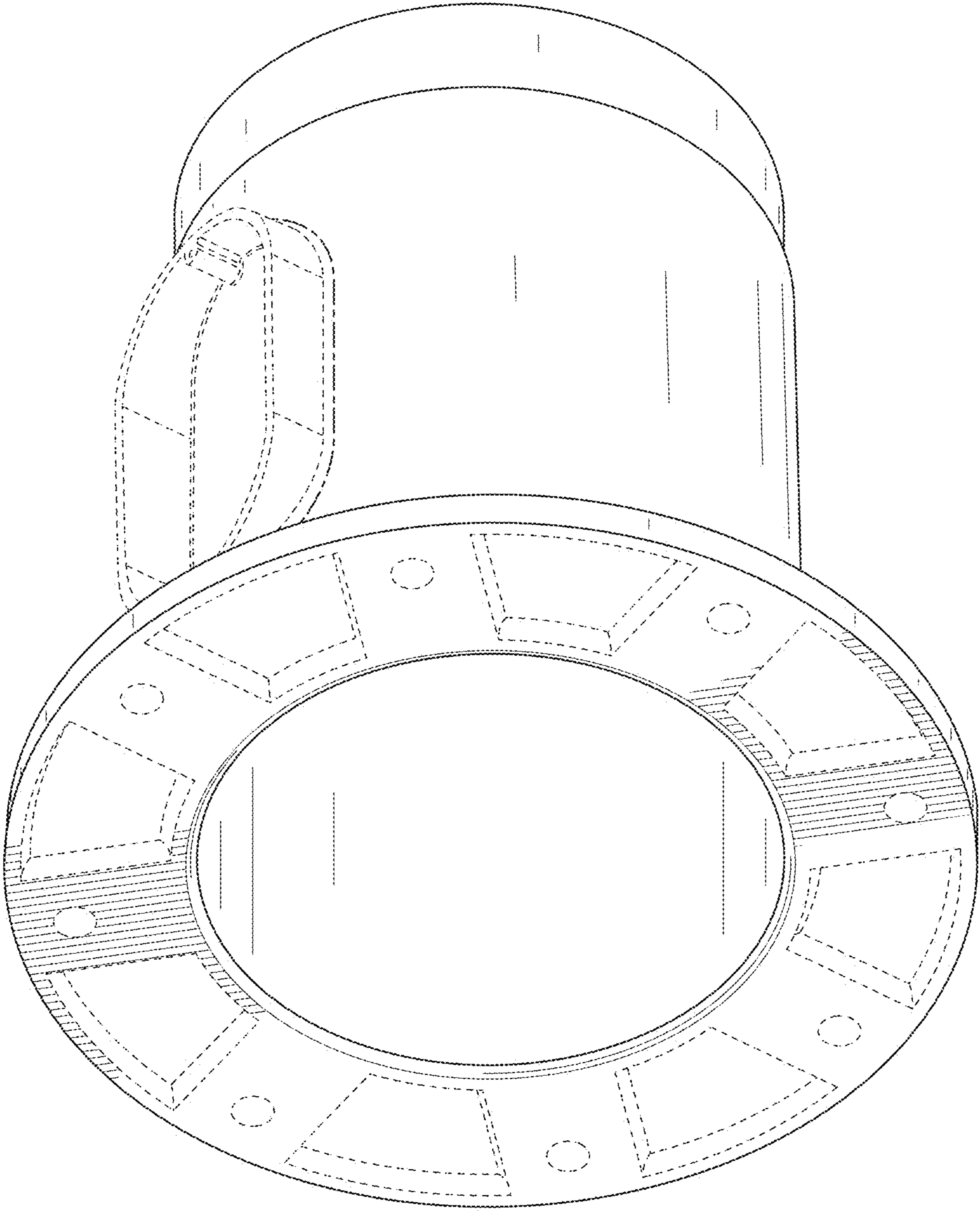


FIG. 4

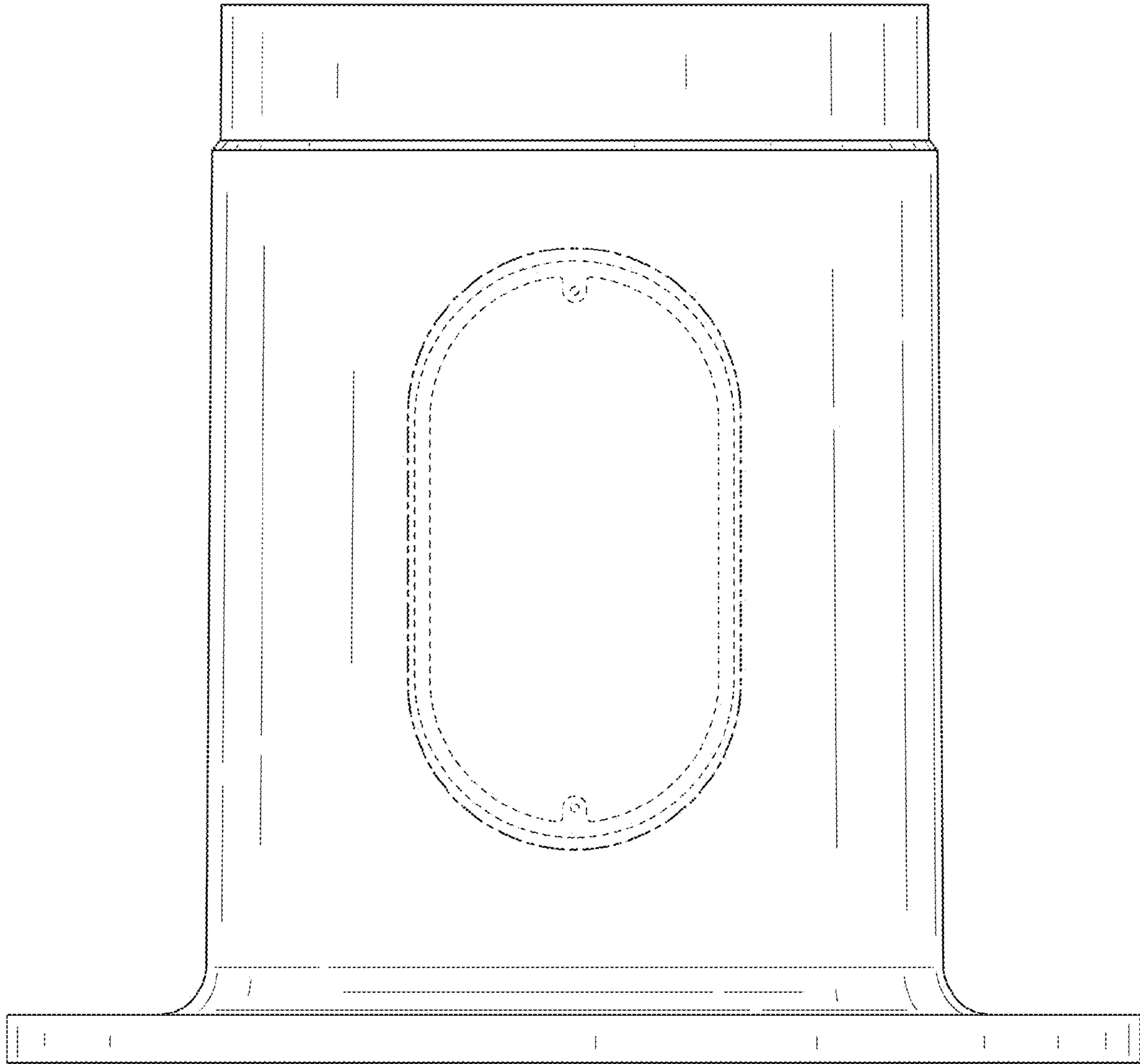


FIG. 5

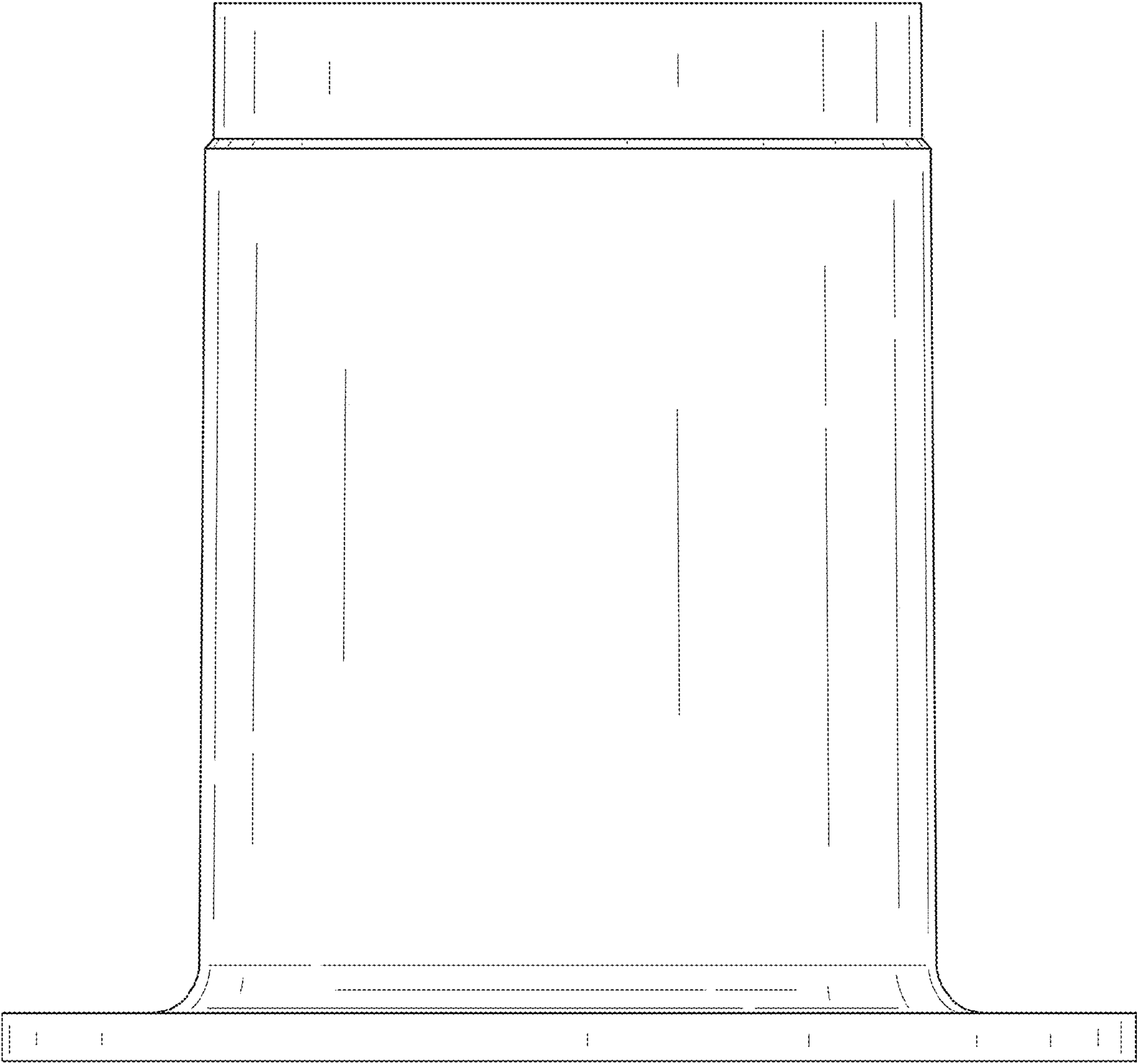


FIG. 6

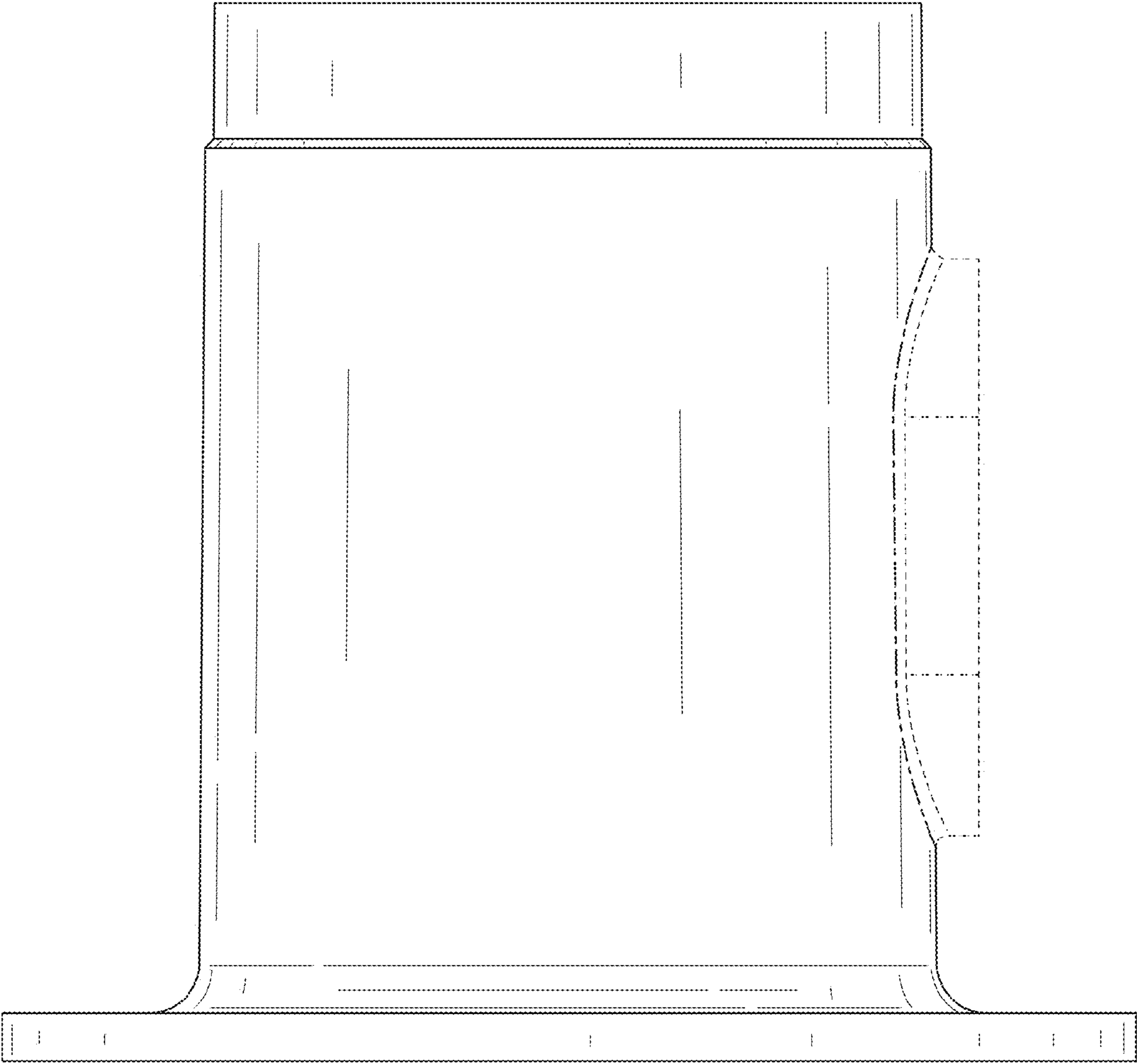


FIG. 7

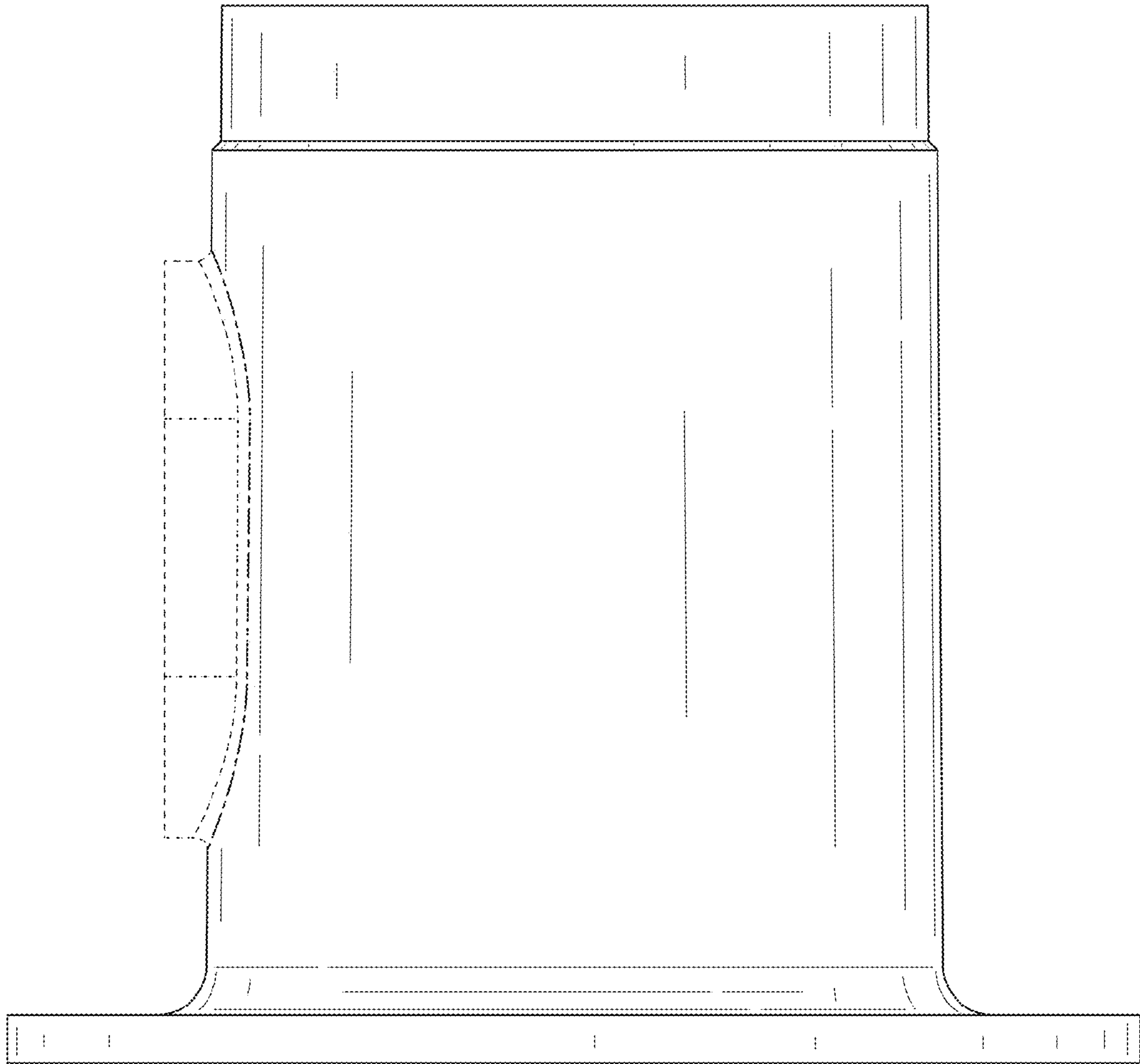


FIG. 8

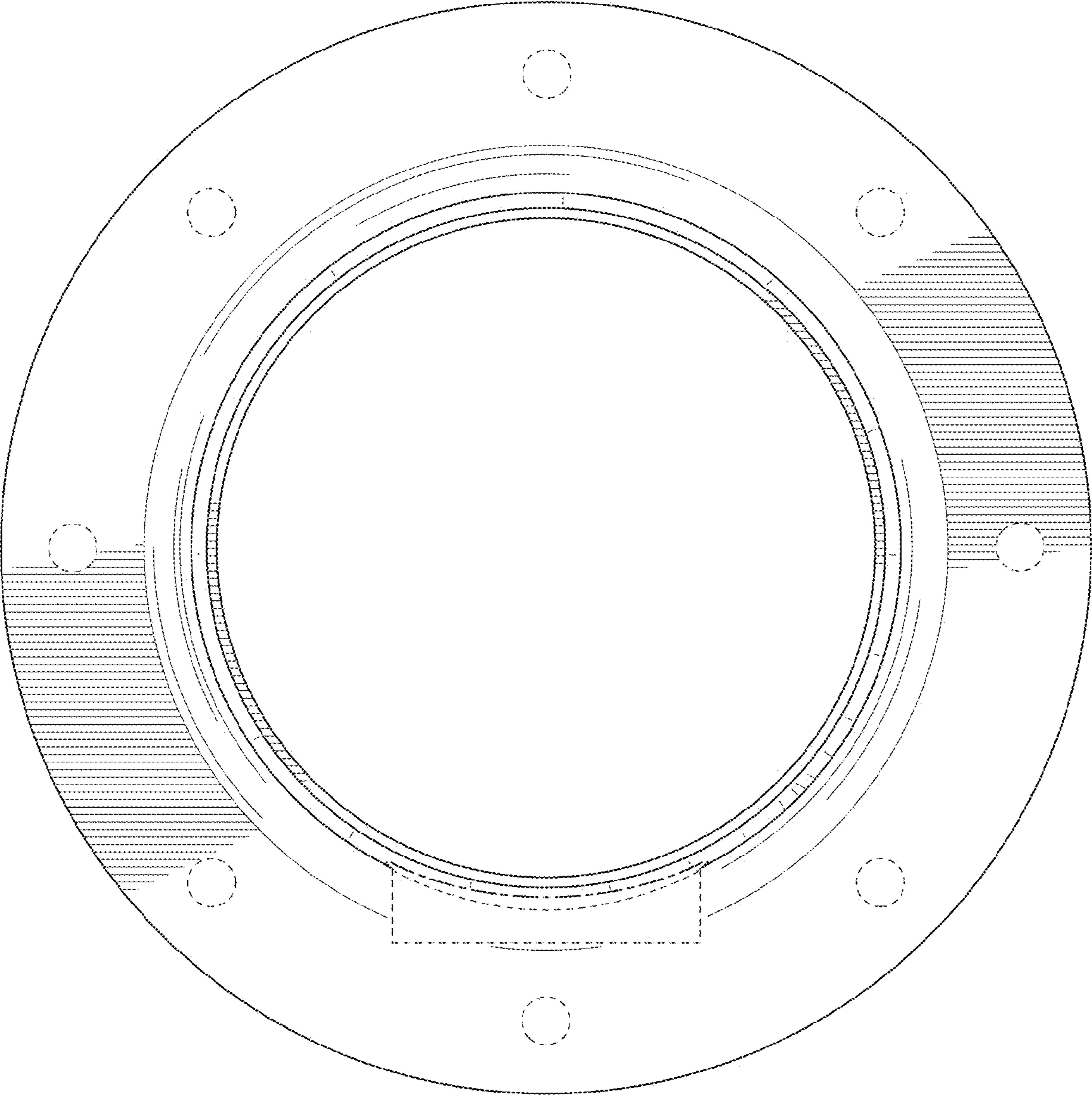


FIG. 9

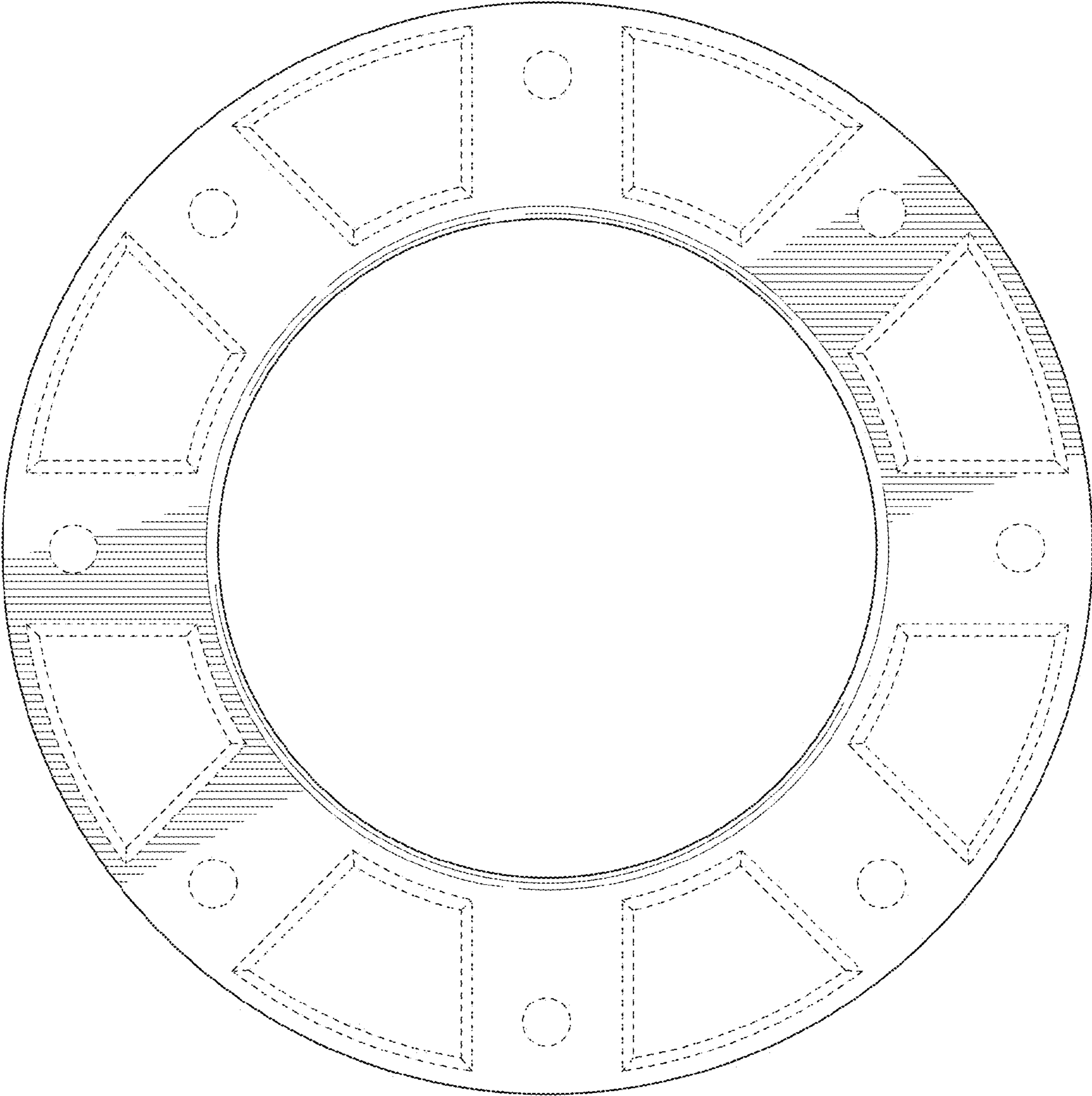


FIG. 10

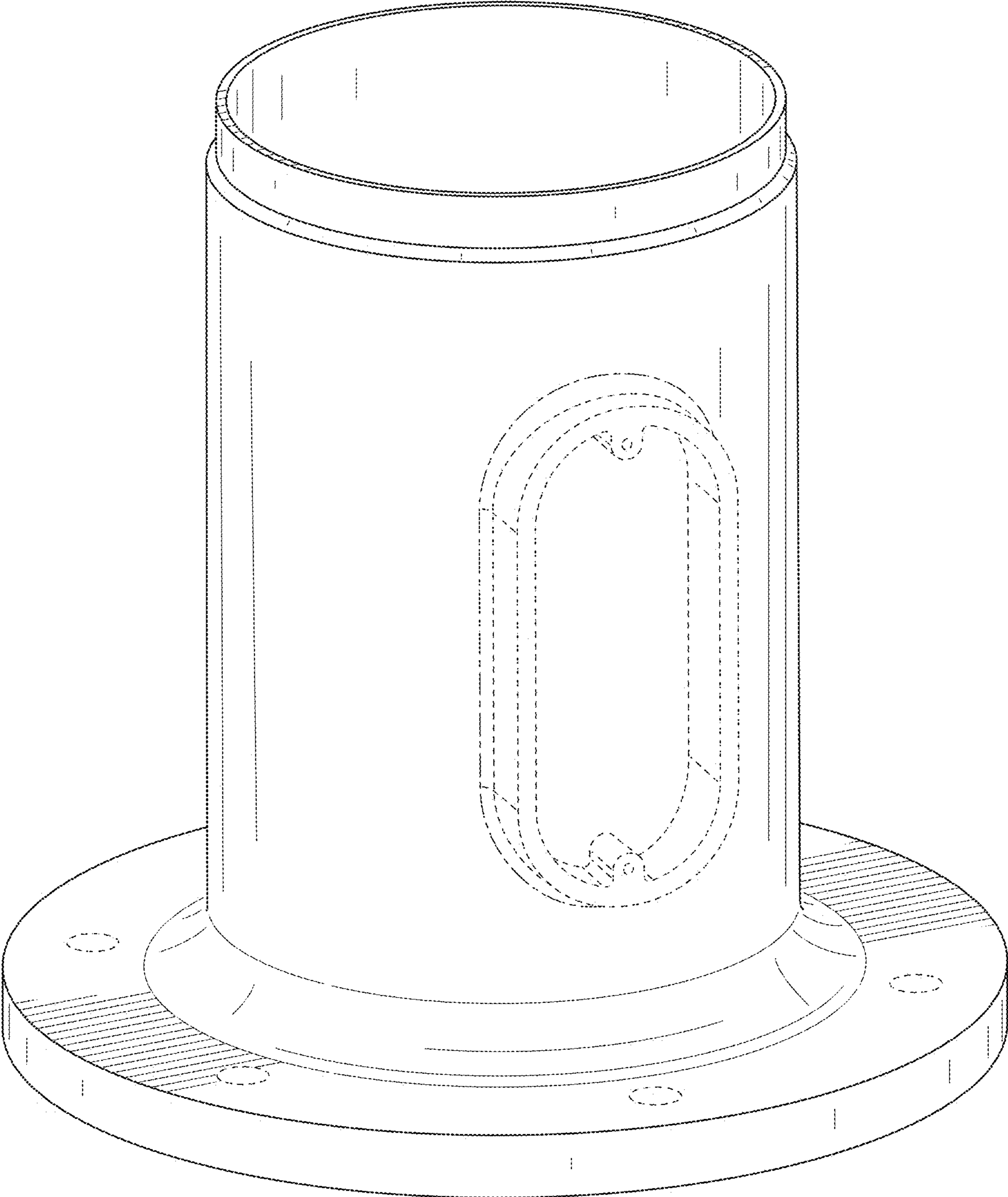


FIG. 11

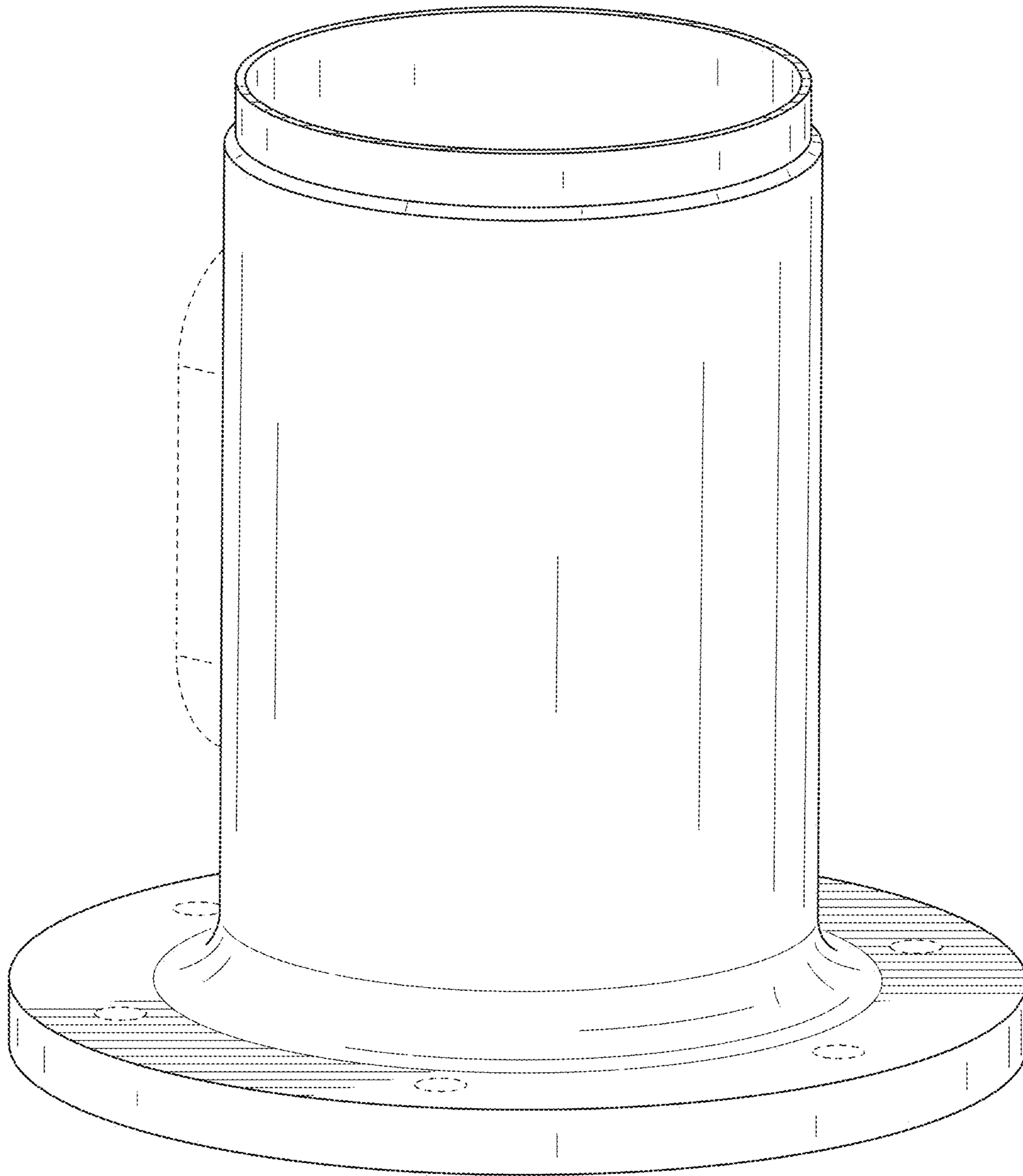


FIG. 12

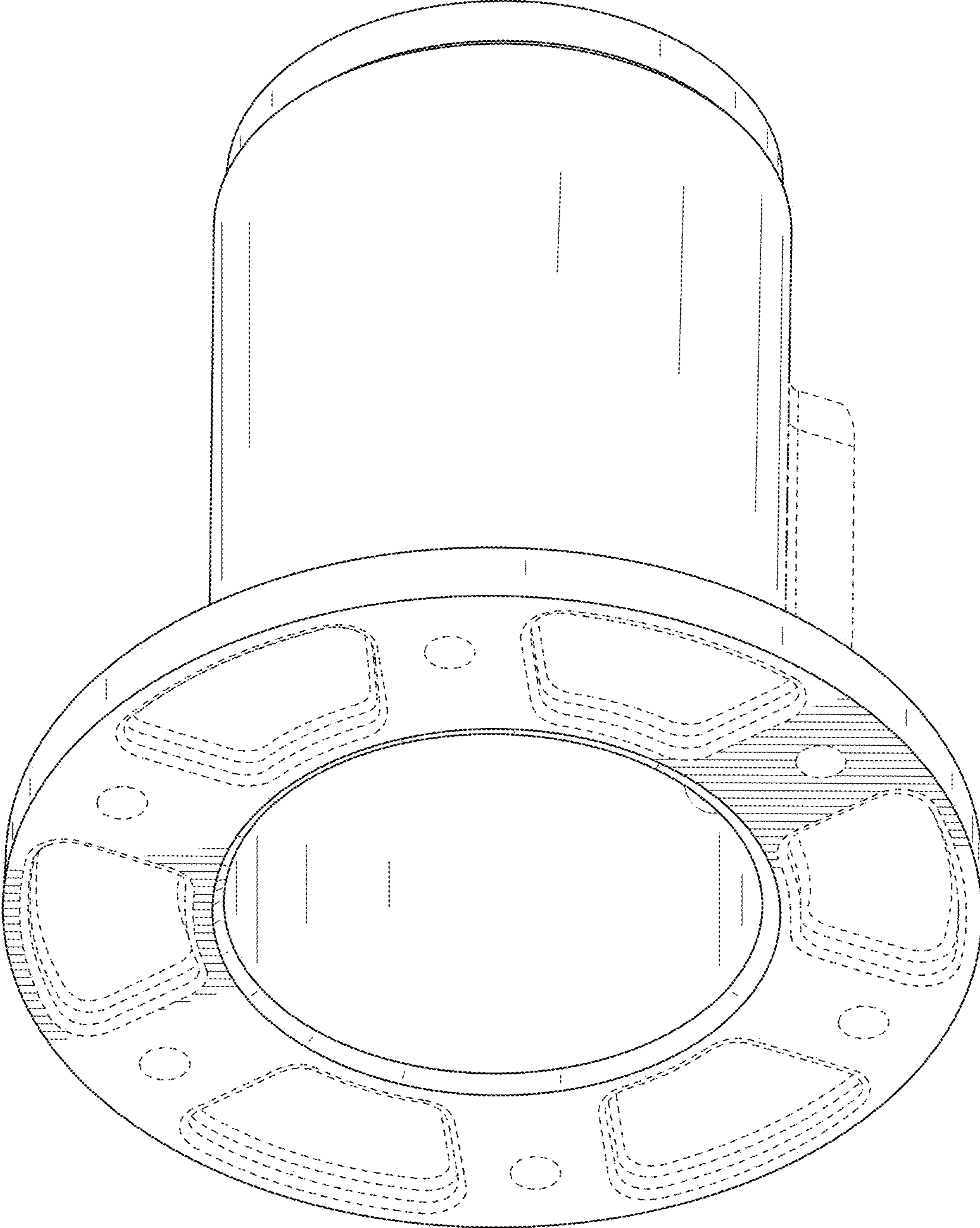


FIG. 13

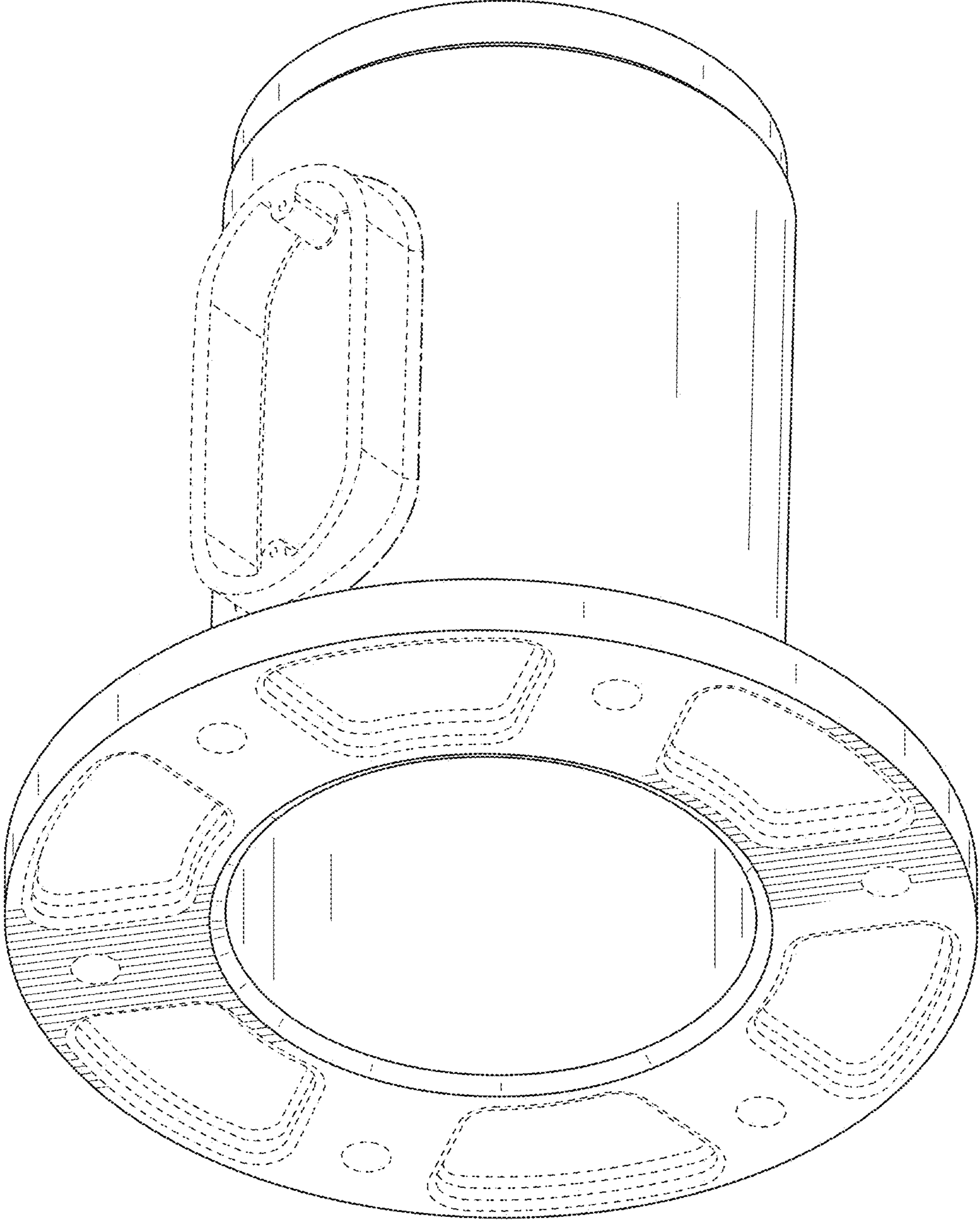


FIG. 14

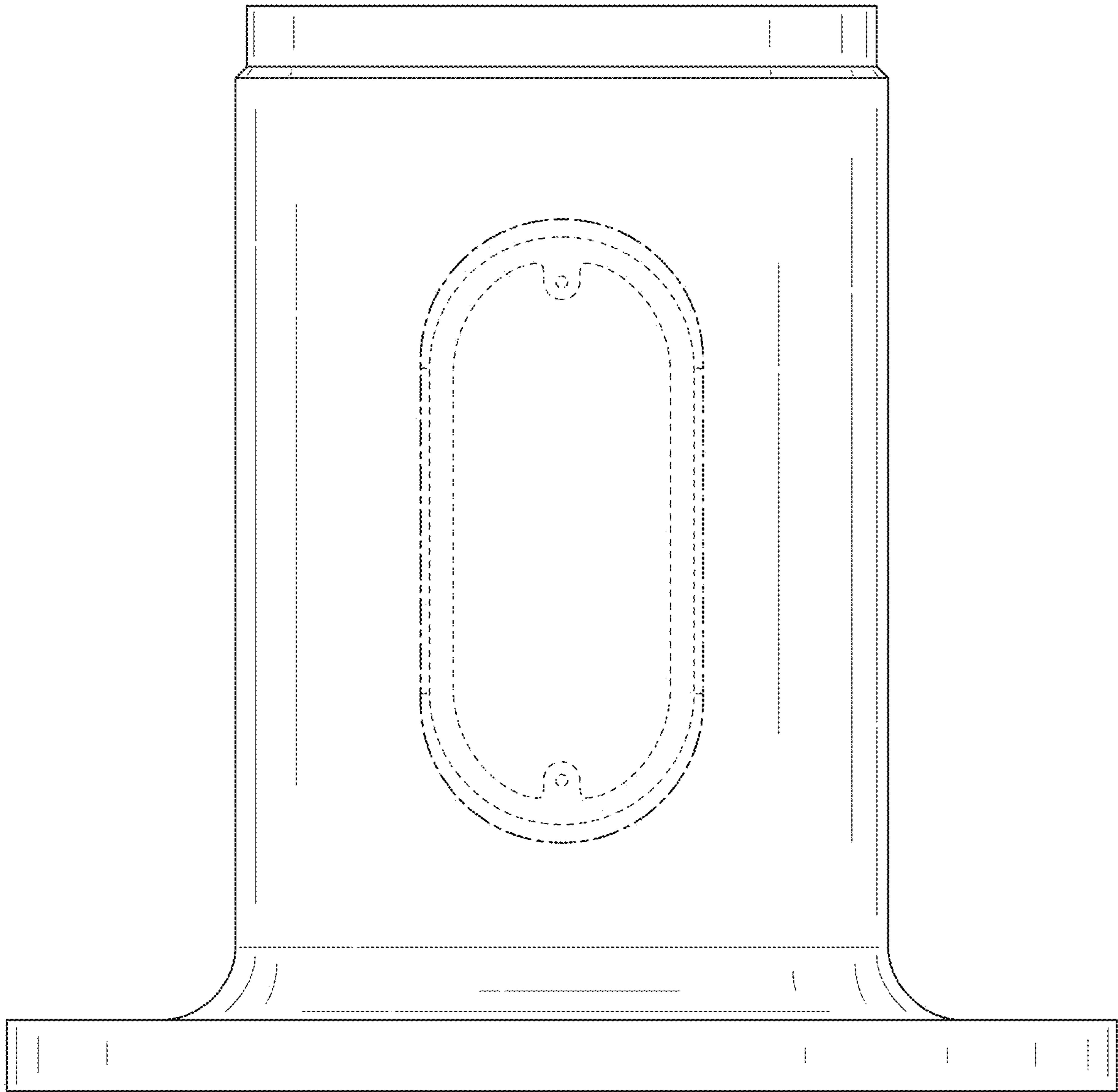


FIG. 15

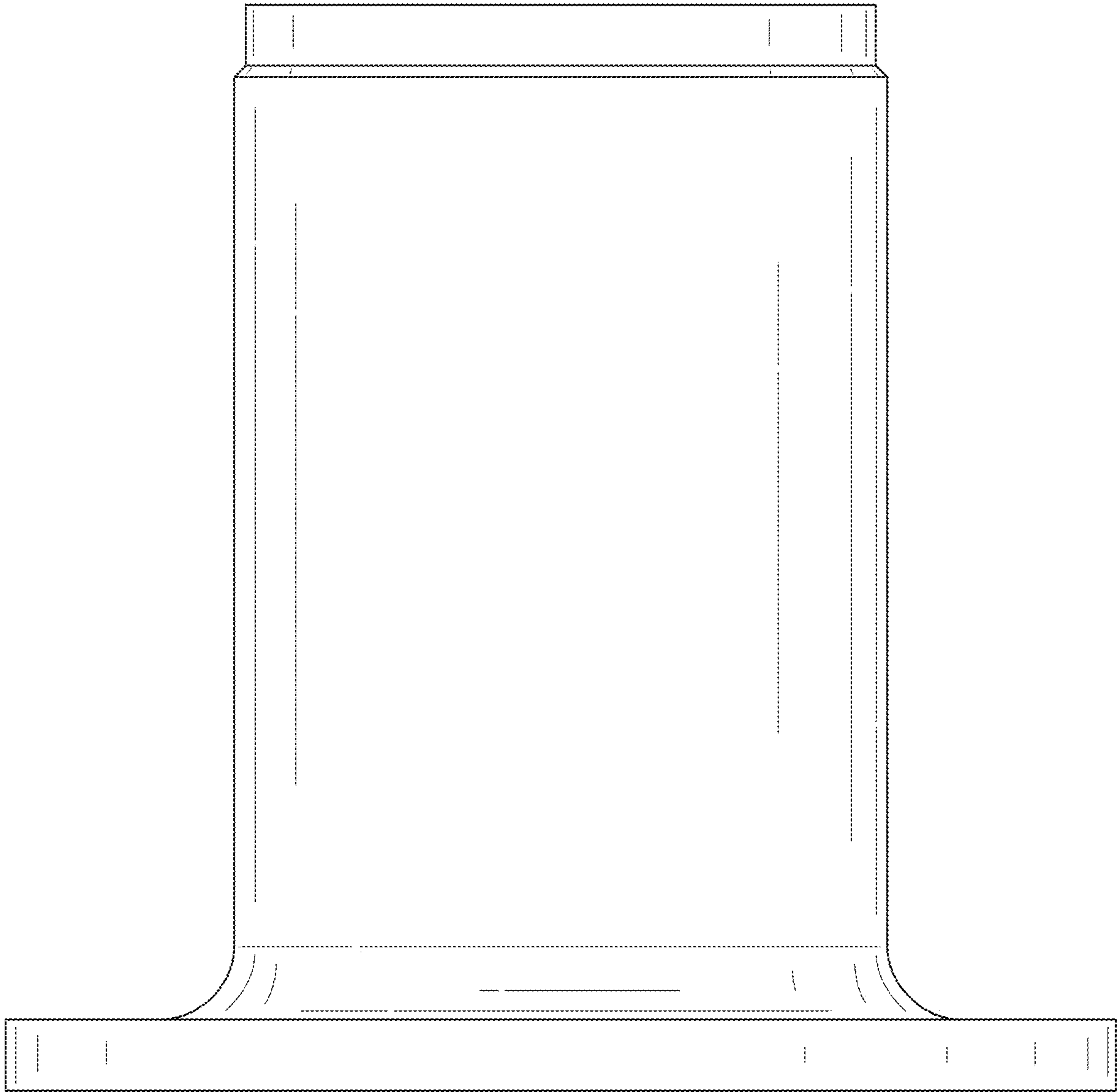


FIG. 16

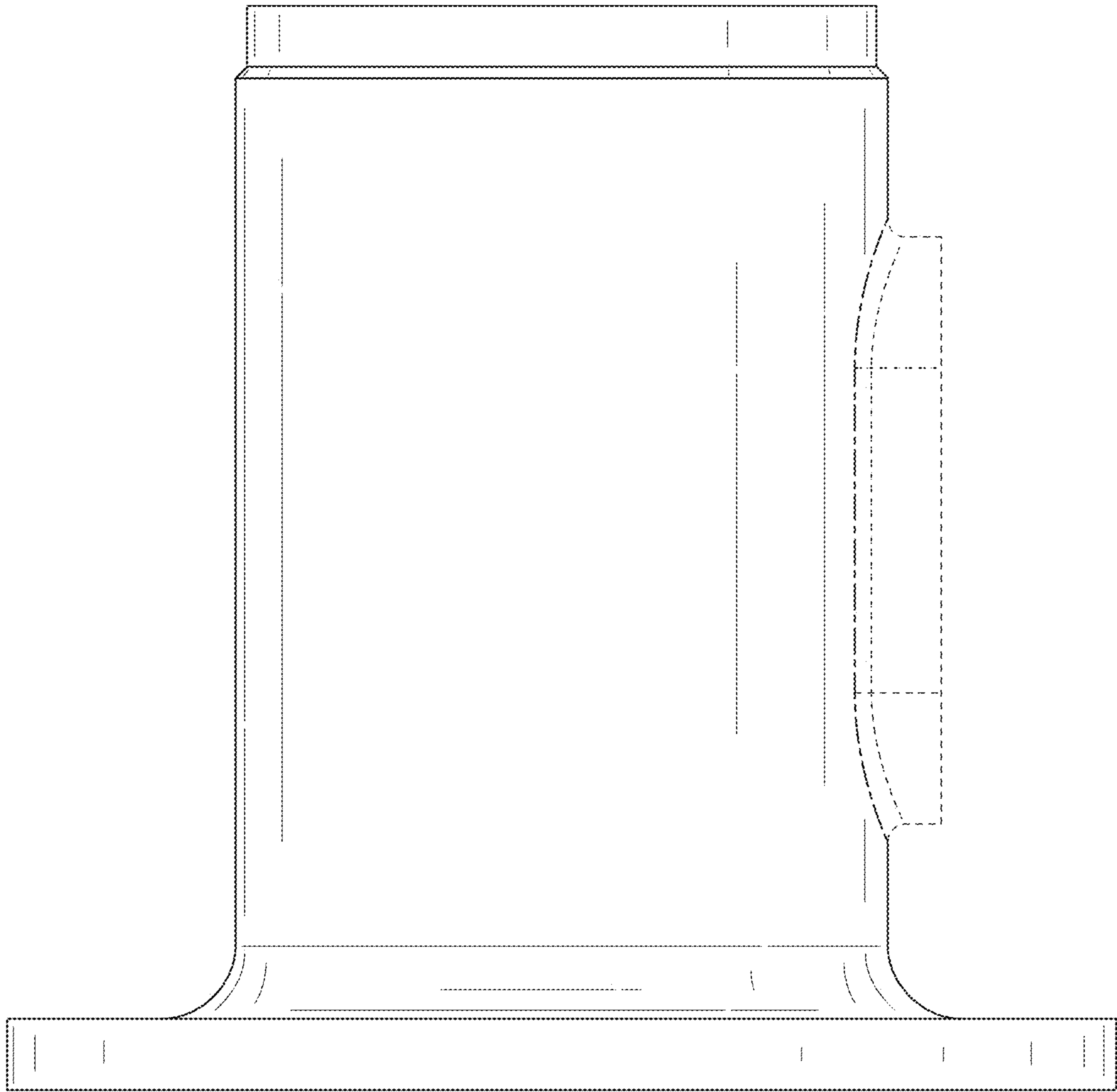


FIG. 17

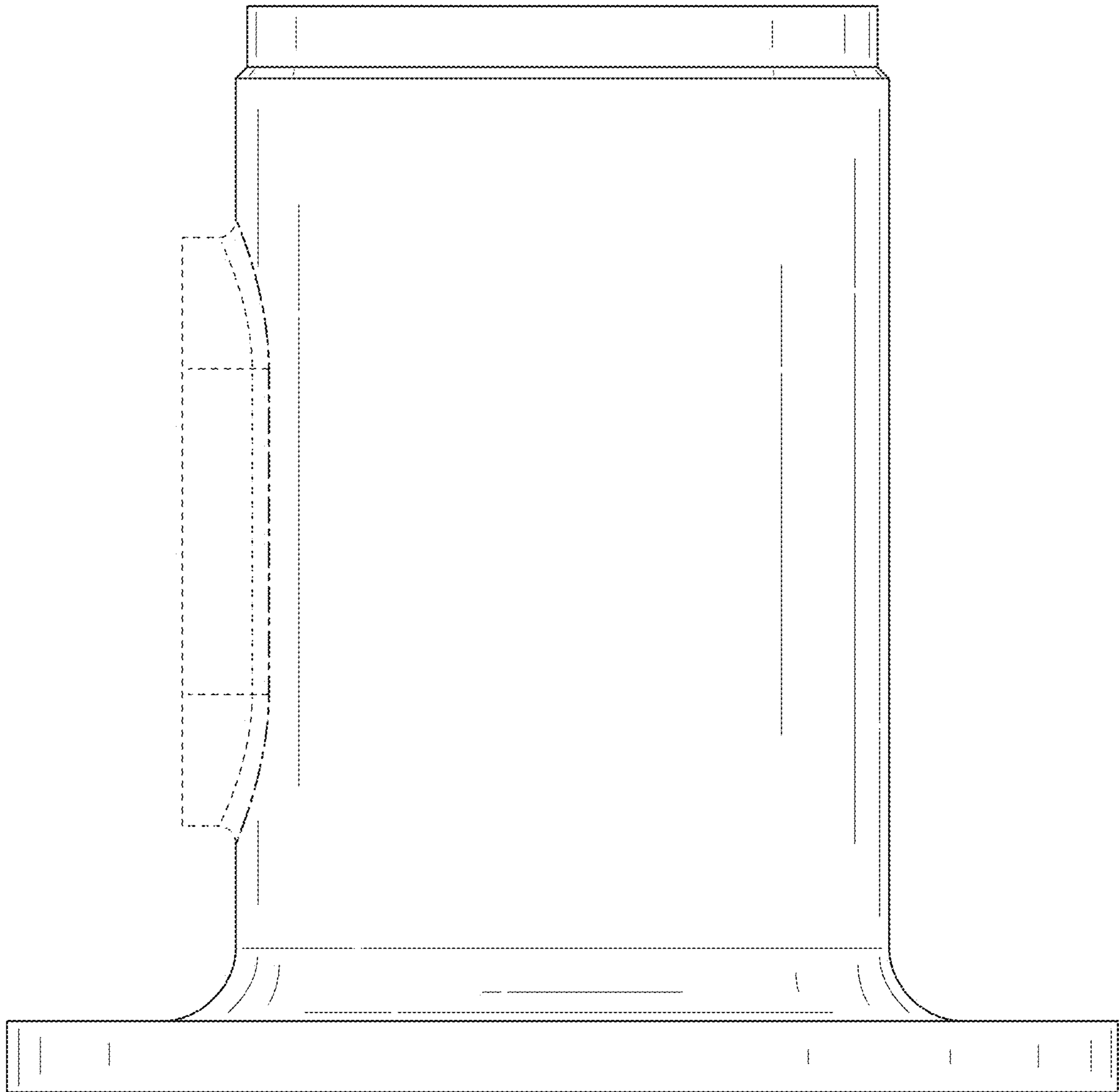


FIG. 18

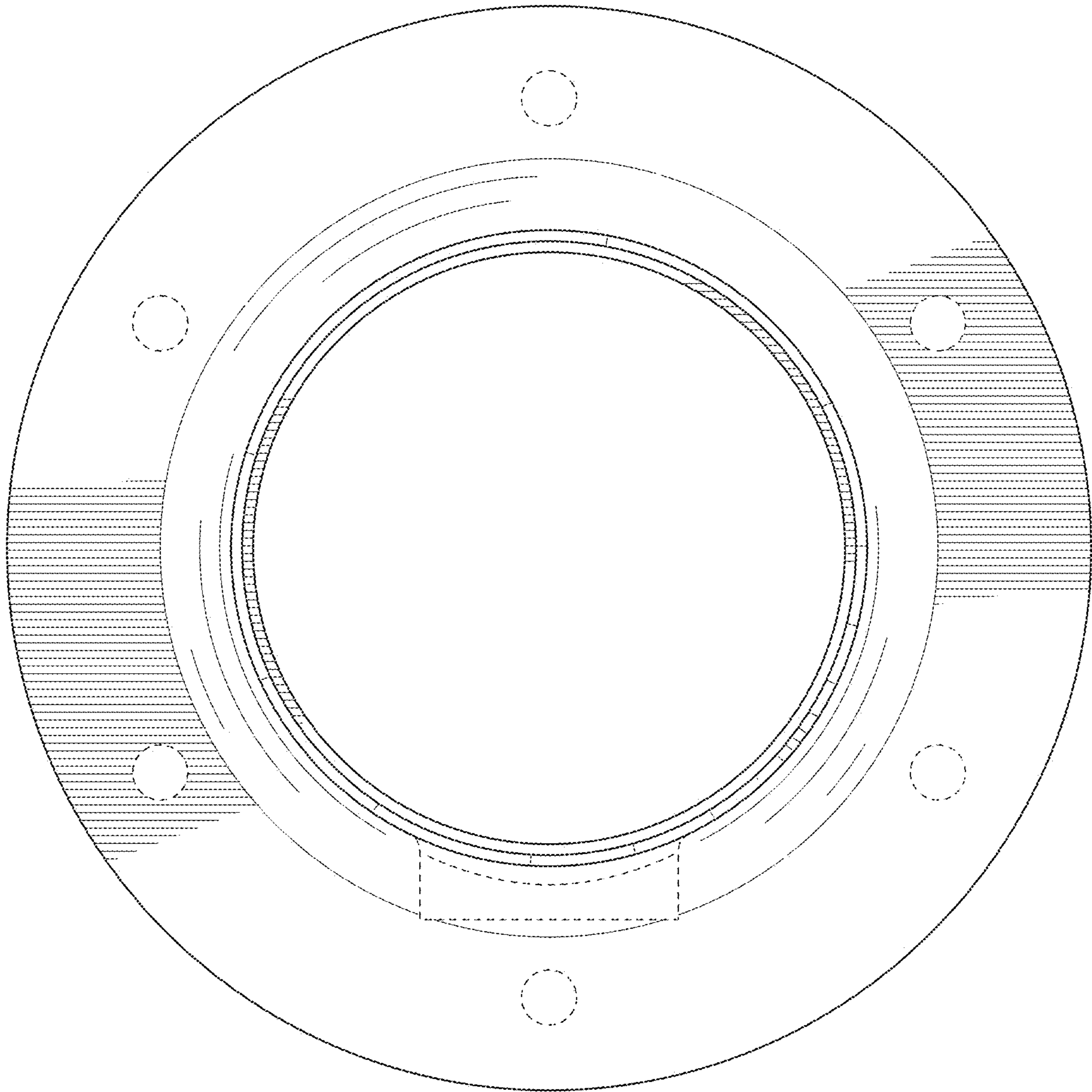


FIG. 19

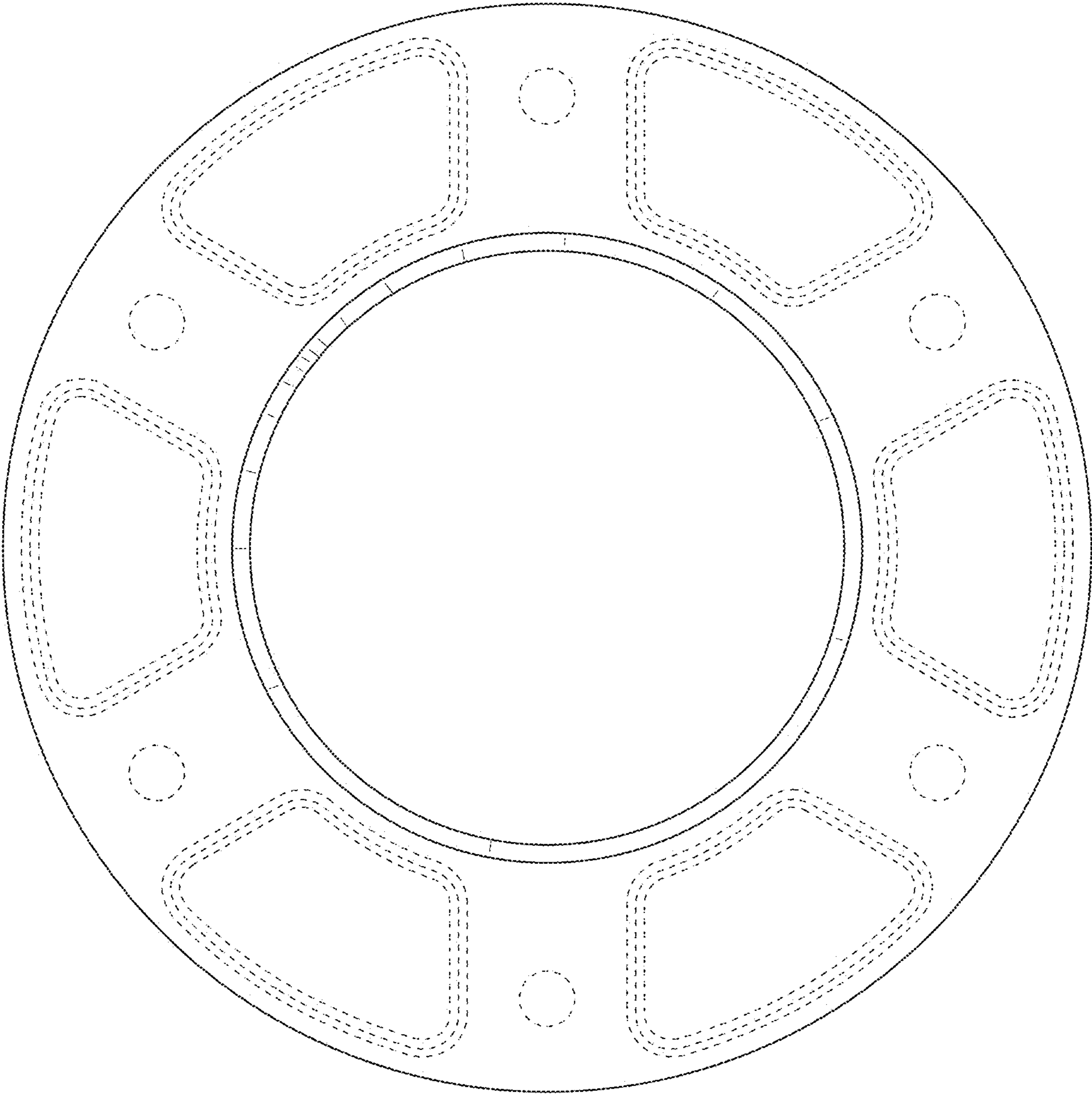


FIG. 20