



US00D887022S

(12) **United States Design Patent** (10) **Patent No.:** **US D887,022 S**
Saccoccio et al. (45) **Date of Patent:** **** Jun. 9, 2020**

- (54) **STEP, RISER AND LIGHT ASSEMBLY FOR SWIMMING POOL**
- (71) Applicant: **Asia Connection LLC**, New York, NY (US)
- (72) Inventors: **Mitch Saccoccio**, Clarksville, VA (US); **Jonathan Bonelli**, New York, NY (US)
- (73) Assignee: **Asia Connection LLC**, New York, NY (US)

- (**) Term: **15 Years**
- (21) Appl. No.: **29/695,286**
- (22) Filed: **Jun. 18, 2019**

Related U.S. Application Data

- (63) Continuation of application No. 15/175,616, filed on Jun. 7, 2016.
- (51) **LOC (12) Cl.** **25-04**
- (52) **U.S. Cl.**
USPC **D25/63**
- (58) **Field of Classification Search**
USPC D25/62, 63, 68, 69, 1; 52/188, 182, 183, 52/741.2, 191, 184, 190; 182/151, 115, 182/194, 93, 106
CPC E04H 4/144; E06C 1/34; E04F 11/02
See application file for complete search history.

References Cited

U.S. PATENT DOCUMENTS

934,122 A	9/1909	Woodman	
4,425,601 A	1/1984	Donahue	
4,535,871 A *	8/1985	Lapeyre E04F 11/028 182/106

D283,168 S *	3/1986	Daly D25/62
5,778,610 A	7/1998	Berg	
5,908,082 A	6/1999	Turner	
6,000,494 A *	12/1999	Wilson E04H 4/144 182/106
D449,895 S *	10/2001	Wilson D25/2
6,685,332 B1	2/2004	Clark	
6,926,119 B1 *	8/2005	Schrock E06C 1/393 182/106
6,966,405 B2 *	11/2005	St-Pierre E04H 4/144 182/93
7,954,973 B1	6/2011	Holland	
D681,850 S *	5/2013	Daly D25/63
9,816,274 B2	11/2017	Brink	
2005/0172568 A1	8/2005	Crandall	
2006/0272230 A1	12/2006	Elwood	
2007/0111896 A1	5/2007	Knox	
2009/0056245 A1	3/2009	Miller	
2009/0139798 A1	6/2009	Bernard	
2012/0167494 A1	7/2012	Brooks et al.	
2012/0325472 A1	12/2012	Litvinets	
2013/0140111 A1	6/2013	Desai	
2014/0353081 A1	12/2014	Linch	

* cited by examiner

Primary Examiner — Gino Colan
 (74) *Attorney, Agent, or Firm* — Dilworth & Barrese, LLP

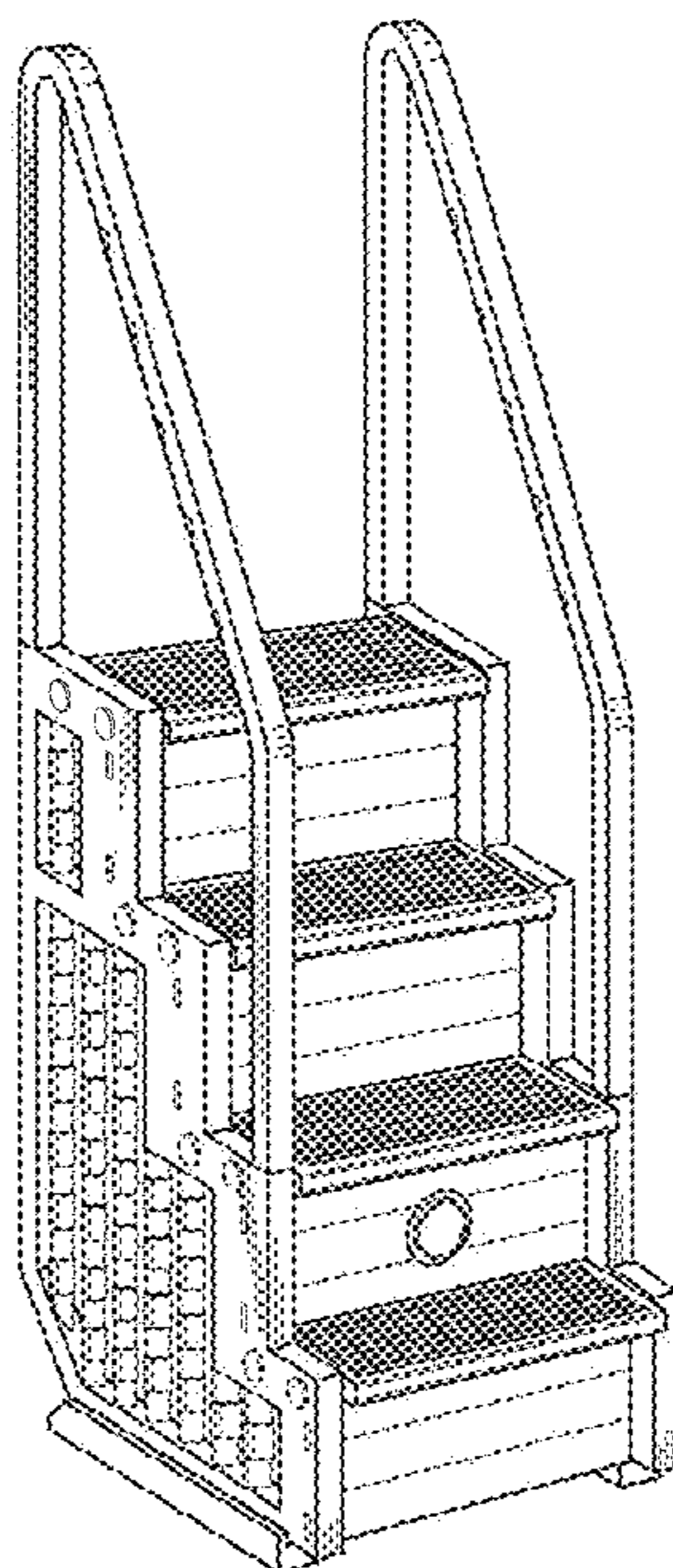
(57) **CLAIM**

The ornamental design for a step, riser and light assembly for a swimming pool, as shown and described.

DESCRIPTION

FIG. 1 is a front perspective view of a step, riser and light assembly for a swimming pool showing our new design; FIG. 2 is a side elevational view thereof; FIG. 3 is a front elevational view thereof; and, FIG. 4 is a top plan view thereof.

1 Claim, 4 Drawing Sheets



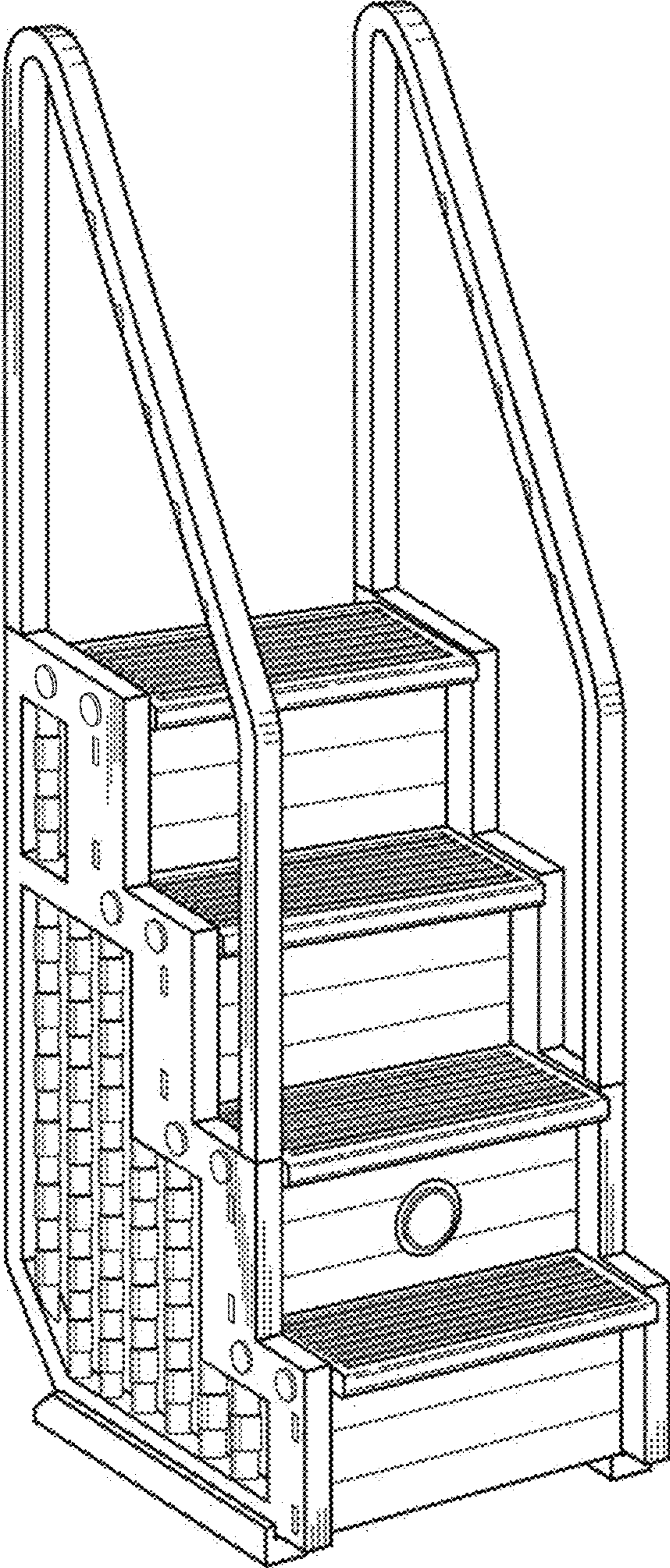


FIG. 1

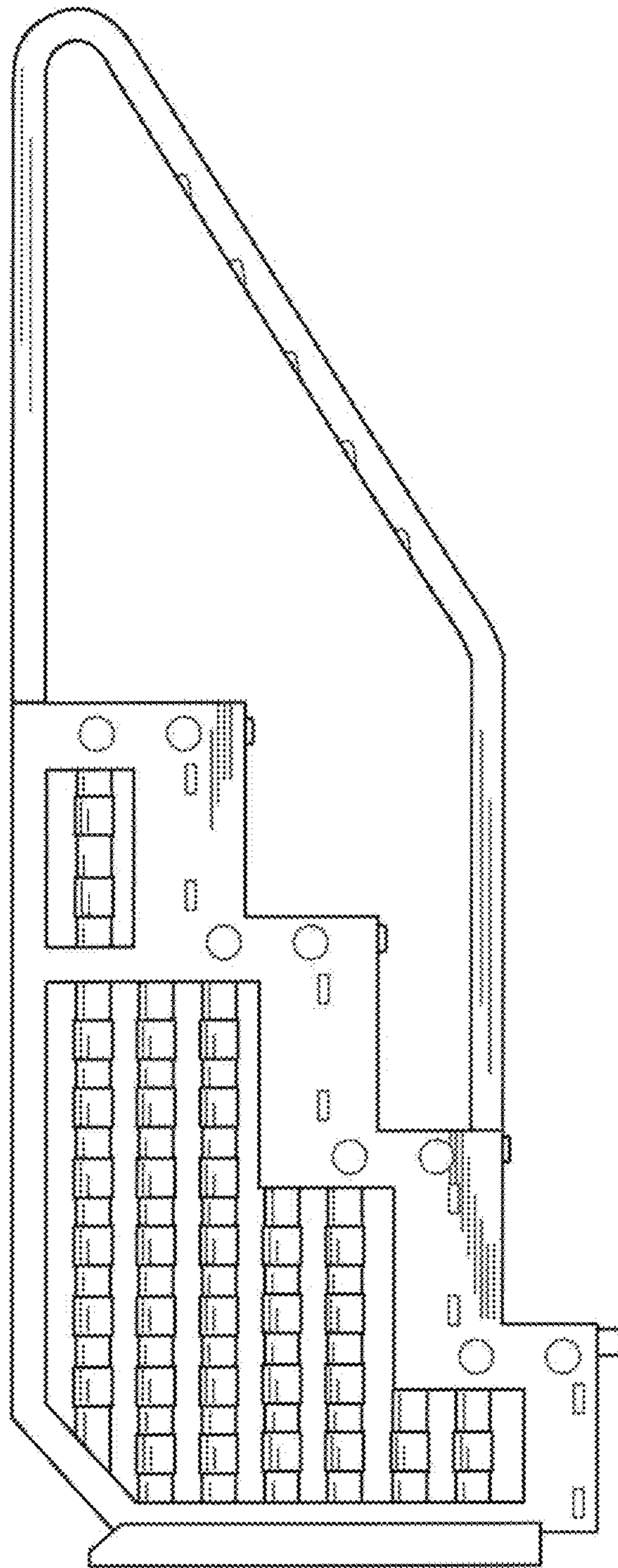


FIG. 2

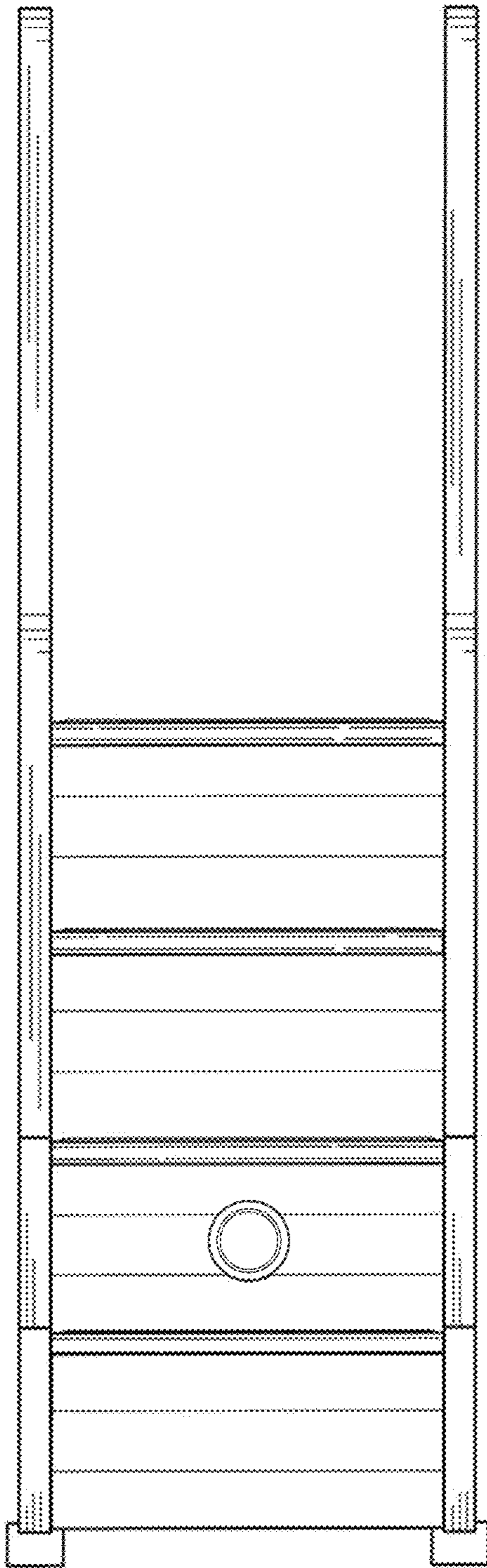


FIG. 3

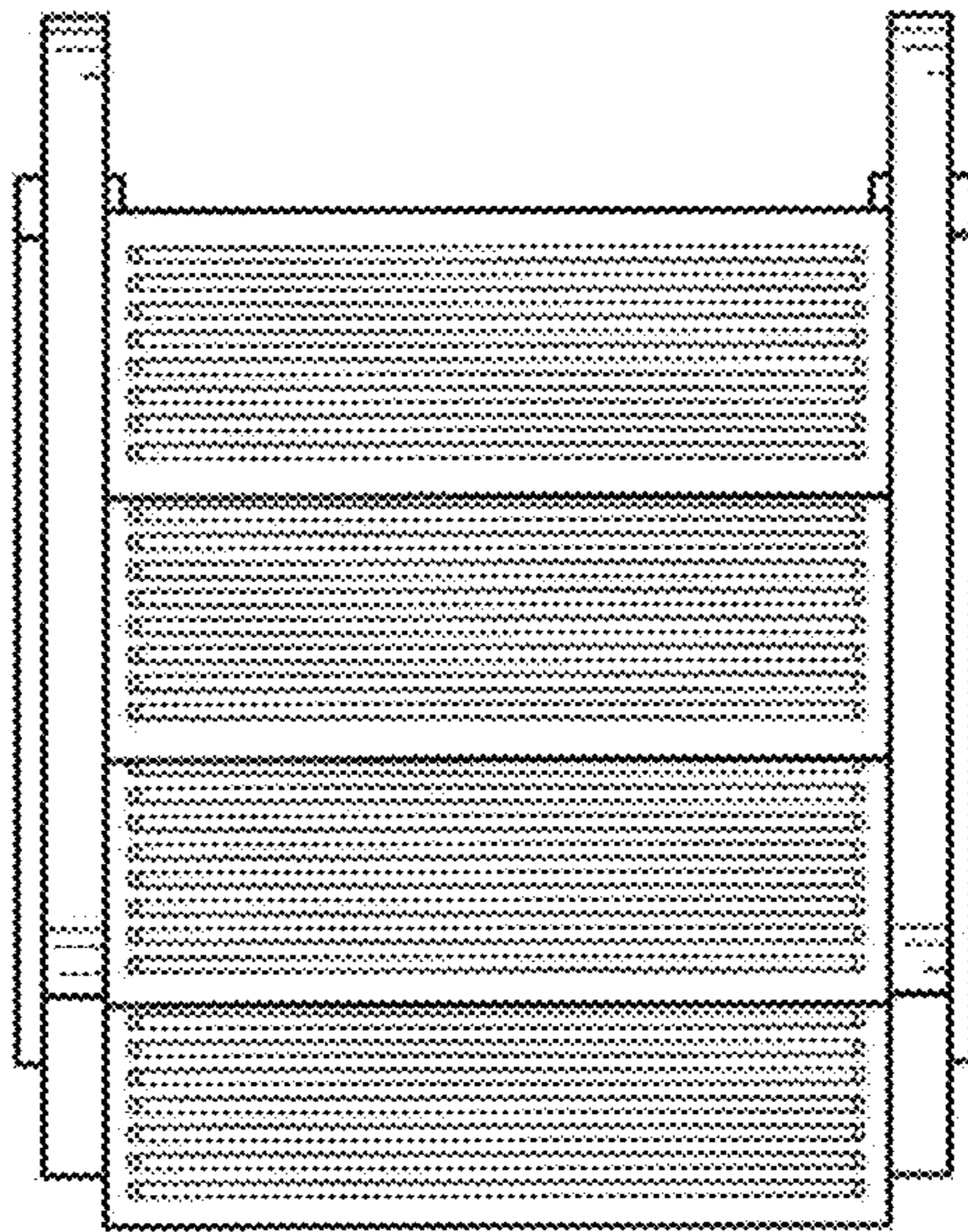


FIG. 4