



US00D887020S

(12) **United States Design Patent**
Phelps

(10) **Patent No.:** **US D887,020 S**
(45) **Date of Patent:** **** Jun. 9, 2020**

(54) **ANTI-FLOOD BARRIER**

(71) Applicant: **FLUVIAL INNOVATIONS LTD.**,
Poole, Dorset (GB)
(72) Inventor: **Simon Phelps**, Ferndown (GB)
(73) Assignee: **FLUVIAL INNOVATIONS LTD.**,
Poole, Dorset (GB)

(**) Term: **15 Years**

(21) Appl. No.: **29/658,384**

(22) Filed: **Jul. 31, 2018**

(51) **LOC (12) Cl.** **25-02**

(52) **U.S. Cl.**
USPC **D25/38.1; D10/113.3**

(58) **Field of Classification Search**
USPC D10/113.3; D12/608; D15/150, 152,
D15/199; D23/200, 202; D25/38.1, 58,
D25/119, 125, 126, 136, 158, 163, 164,
D25/199; D32/40, 45; D34/6
CPC E02B 3/10; B65D 90/24; E01F 13/022;
E01F 15/083; E01F 15/086; E01F 15/088;
B29C 49/482

See application file for complete search history.

(56) **References Cited**

U.S. PATENT DOCUMENTS

4,650,368 A 3/1987 Bayer 405/111
4,946,306 A 8/1990 Yodock 404/6
D341,098 S * 11/1993 Yodock D10/113.3

(Continued)

FOREIGN PATENT DOCUMENTS

DE 201 09 417 U1 1/2001 E04B 1/92
EM 002015461-0001 * 4/2012

(Continued)

OTHER PUBLICATIONS

Floodstop Flood Barriers FS 650 YouTube https://www.youtube.com/watch?v=k9Em7V_O3sc Posted Oct. 23, 2018 (Year: 2018).*

(Continued)

Primary Examiner — Leanne Was-Englehart

(74) *Attorney, Agent, or Firm* — Renner Kenner Greive
Bobak Taylor & Weber

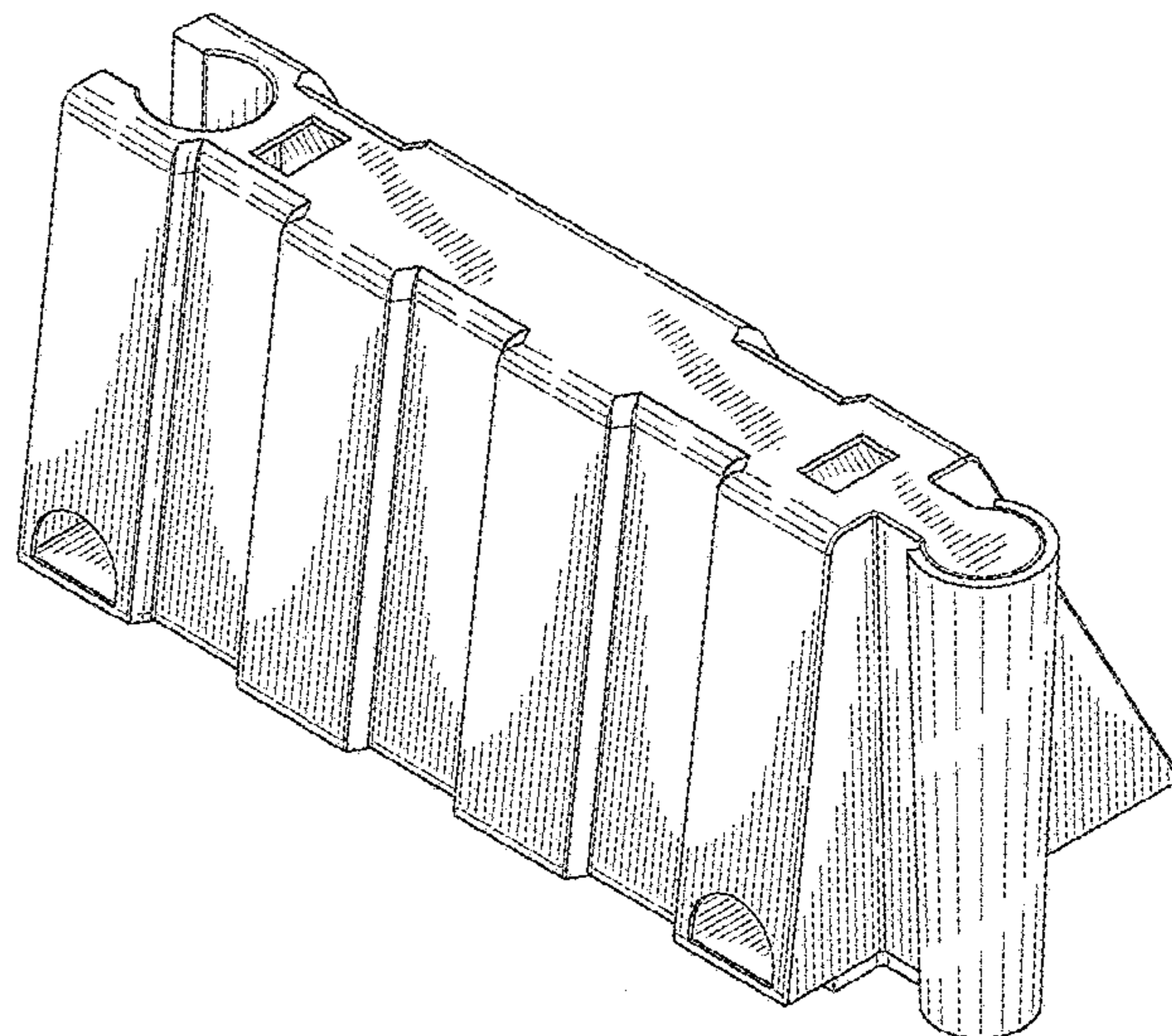
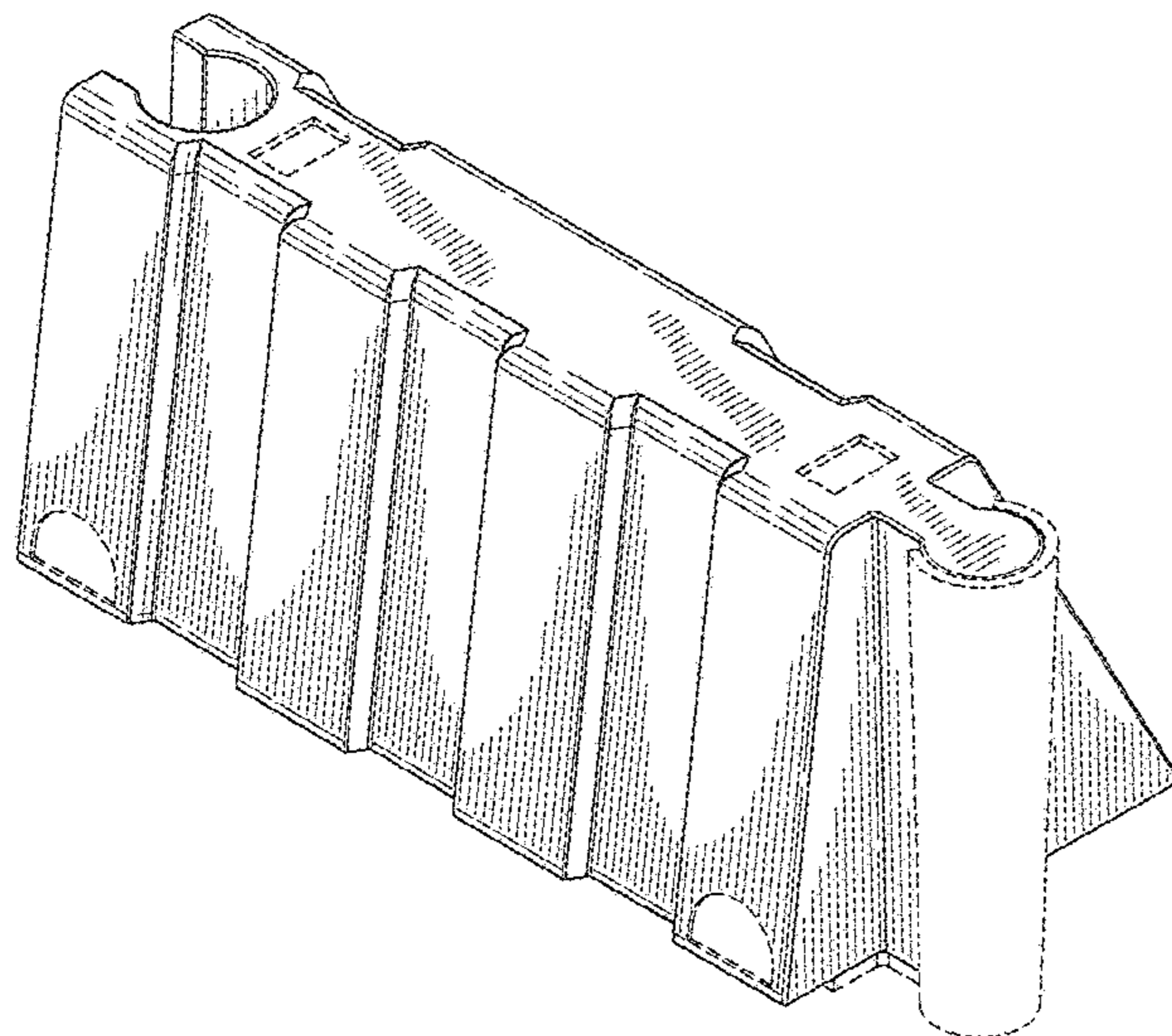
(57) **CLAIM**

The ornamental design for an anti-flood barrier, as shown and described.

DESCRIPTION

FIG. 1 is a top plan view of an anti-flood barrier showing my new design;
FIG. 2 is a top perspective view thereof;
FIG. 3 is a bottom perspective view thereof;
FIG. 4 is a right side elevational view thereof;
FIG. 5 is a left side elevational view thereof;
FIG. 6 is a front elevational view thereof;
FIG. 7 is a rear elevational view thereof;
FIG. 8 is a top plan view of a second embodiment for an anti-flood barrier;
FIG. 9 is a top perspective view of the second embodiment;
FIG. 10 is a bottom perspective view of the second embodiment;
FIG. 11 is a right side elevational view of the second embodiment;
FIG. 12 is a left side elevational view of the second embodiment;
FIG. 13 is a front elevational view of the second embodiment; and,
FIG. 14 is a rear elevational view of the second embodiment.
The broken lines showing optional openings and an optional cushion in FIGS. 1-7 are environmental only and form no part of the claimed design.

1 Claim, 6 Drawing Sheets



(56)

References Cited

U.S. PATENT DOCUMENTS

D385,362 S * 10/1997 Rossetti D25/38.1
 D400,264 S * 10/1998 Striefel D25/38.1
 5,882,140 A * 3/1999 Yodock, Jr. E01F 15/083
 256/13.1
 5,988,934 A * 11/1999 Wasserstrom E01F 15/083
 256/13.1
 6,086,285 A * 7/2000 Christensen E01F 13/022
 256/1
 D431,657 S * 10/2000 Wasserstrom D25/113
 6,666,616 B2 * 12/2003 Yodock, III E01F 15/083
 256/13.1
 6,669,402 B1 * 12/2003 Davis E01F 15/086
 256/13.1
 6,695,534 B2 * 2/2004 Cain B65D 90/24
 405/114
 D498,163 S * 11/2004 Brown D10/113.3
 D520,146 S * 5/2006 Brown D25/58
 D533,281 S * 12/2006 Christensen D25/38.1
 D552,250 S * 10/2007 Christensen D25/38.1
 7,275,888 B1 * 10/2007 Christensen E01F 13/02
 404/6
 D569,992 S * 5/2008 Christensen D25/38.1
 7,530,763 B2 5/2009 Heselden 405/15
 D596,062 S * 7/2009 Yodock, III D10/113.3
 7,588,387 B1 * 9/2009 Christensen E01F 15/083
 256/13.1
 D614,984 S * 5/2010 Christensen D10/113.3
 7,712,998 B2 5/2010 Salemie 405/111
 D631,977 S * 2/2011 Taylor D25/38.1
 D634,443 S * 3/2011 Taylor D25/38.1
 8,453,995 B2 * 6/2013 Christensen B29C 49/482
 256/13.1
 D696,791 S * 12/2013 Taylor D25/38.1
 8,777,510 B2 * 7/2014 Maus E01F 15/086
 404/6
 D719,278 S * 12/2014 Reutherdal D25/38.1
 D722,386 S * 2/2015 Phelps D25/38.1
 D726,934 S * 4/2015 Reutherdal D25/38.1
 9,677,237 B2 6/2017 Phelps E02B 3/108

9,688,468 B1 * 6/2017 Pethtel B65D 90/24
 10,113,279 B2 * 10/2018 Stevens G08G 1/095
 D850,662 S * 6/2019 Noel D25/199
 2003/0081998 A1 * 5/2003 Yodock, III E01F 15/0453
 404/6
 2003/0113161 A1 * 6/2003 Yodock, III E01F 15/083
 404/6
 2004/0141807 A1 * 7/2004 Yodock, Jr. E01F 13/02
 404/6
 2006/0201943 A1 9/2006 Uffner et al. 220/23.83
 2007/0009326 A1 1/2007 Jananbakhsh 405/114
 2007/0108085 A1 5/2007 Andrade 206/515
 2007/0110517 A1 * 5/2007 Wasserstrom E01F 15/088
 404/6
 2007/0116522 A1 5/2007 Boudreaux, Jr. 405/114
 2008/0286041 A1 * 11/2008 Yodock, Jr. E01F 15/083
 404/6
 2009/0003931 A1 * 1/2009 Christensen B29C 49/482
 404/6
 2010/0111602 A1 * 5/2010 Yodock, III E01F 15/083
 404/6
 2010/0150667 A1 6/2010 Phelps 405/284
 2010/0186216 A1 7/2010 Reedijk et al. 29/592
 2017/0058470 A1 * 3/2017 Stevens G08G 1/095

FOREIGN PATENT DOCUMENTS

GB 2014188 * 8/1991
 JP D1426658 * 11/2011
 WO WO 2007/000612 A1 1/2007 E02B 3/10
 WO WO 2009/005342 A1 1/2009 E02B 3/10

OTHER PUBLICATIONS

International Search Report dated Jun. 6, 2014 in corresponding application No. PCT/GB2014/000095.
 Written Opinion dated Jun. 6, 2014 in corresponding application No. PCT/GB2014/000095.
 UK Search Report dated Aug. 9, 2013 in corresponding application No. GB1304755.0.

* cited by examiner

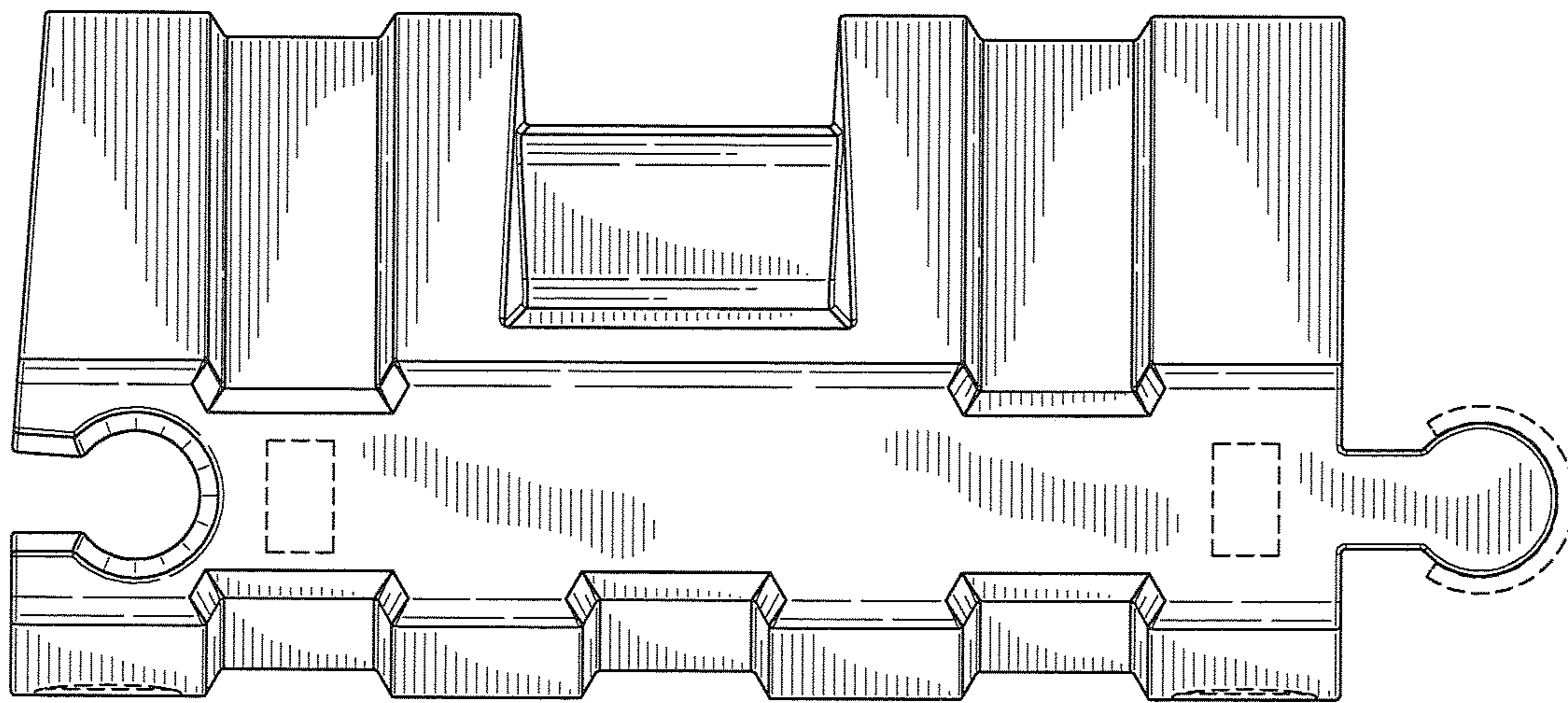


FIG. 1

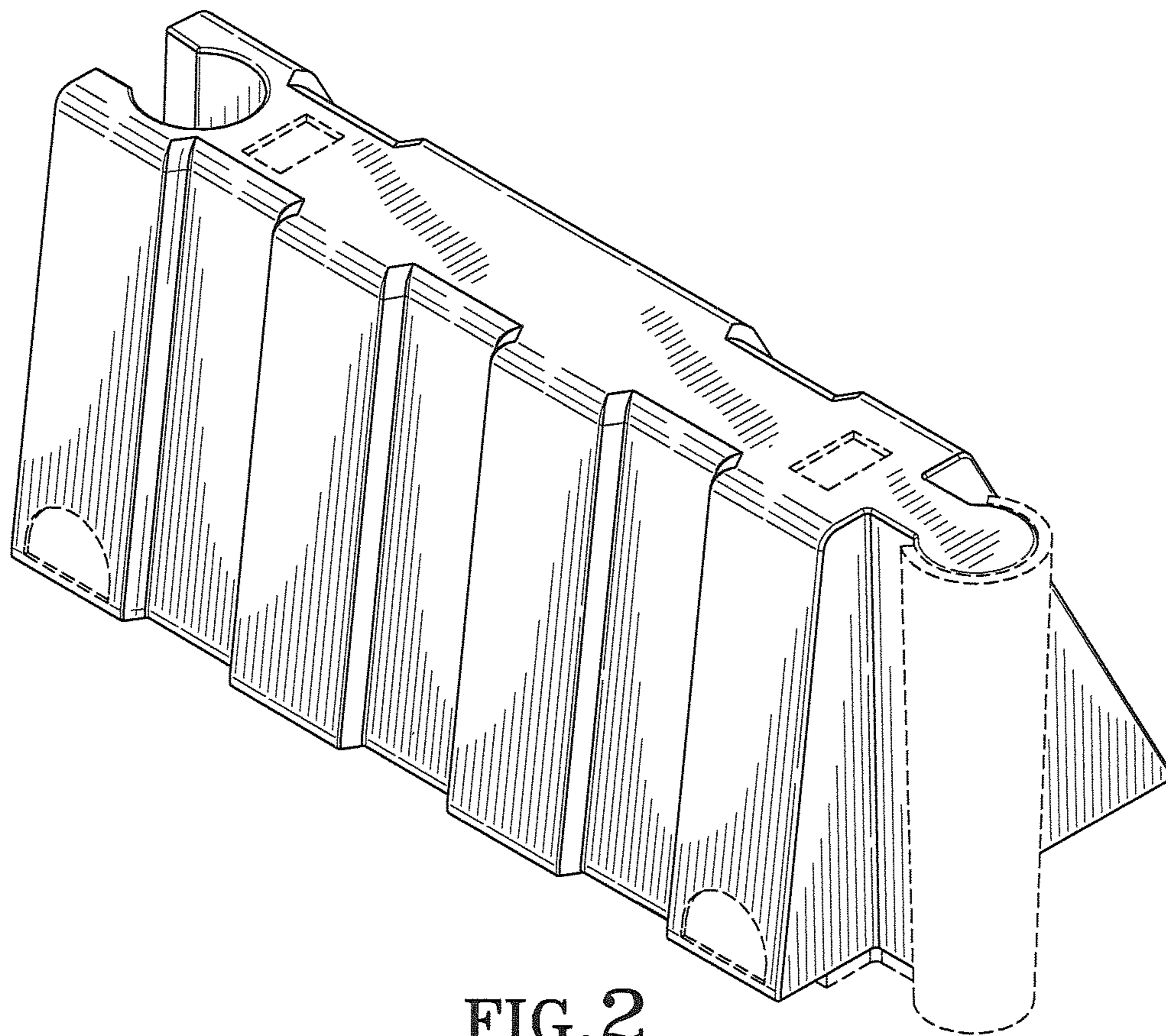


FIG. 2

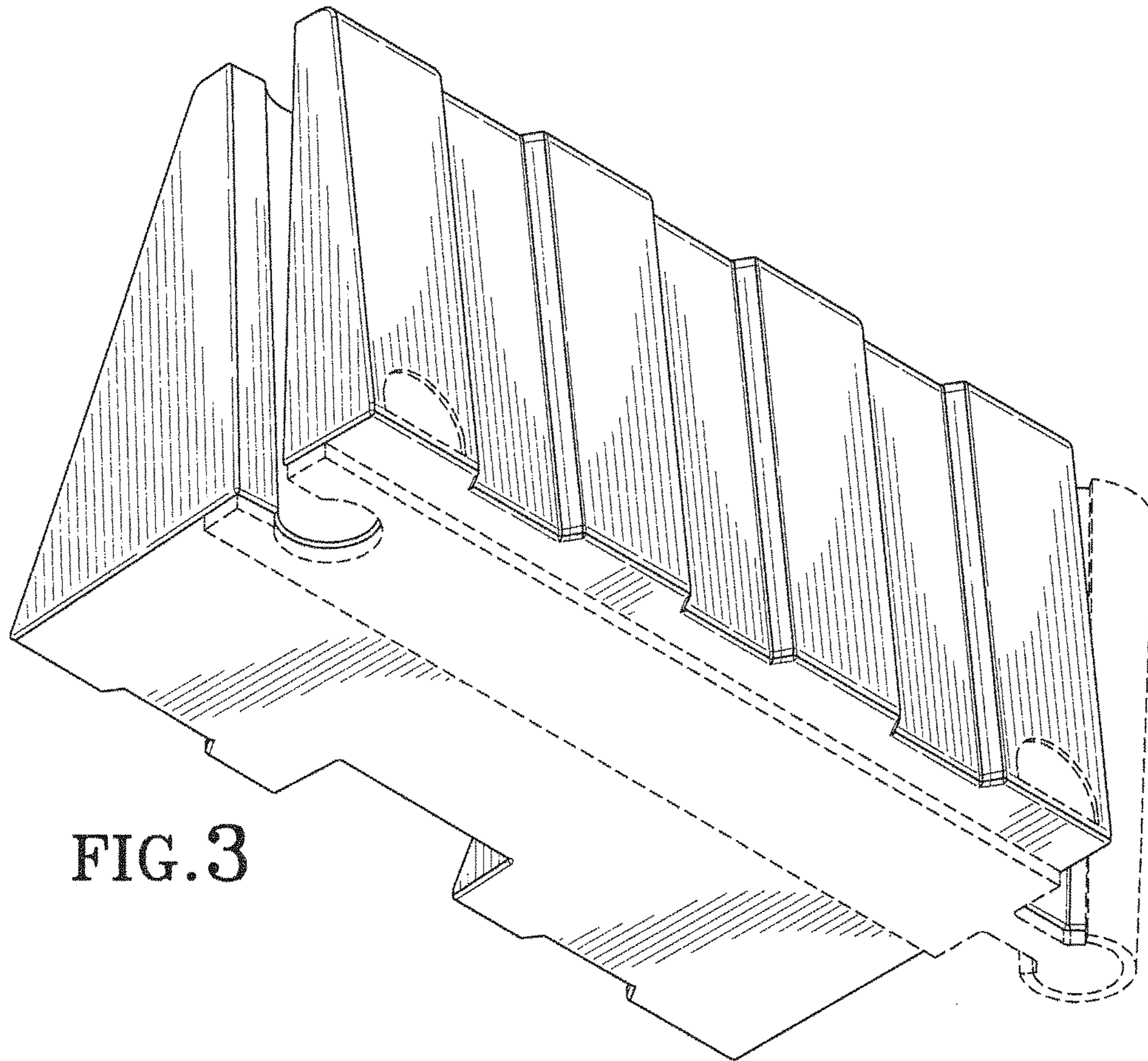


FIG. 3

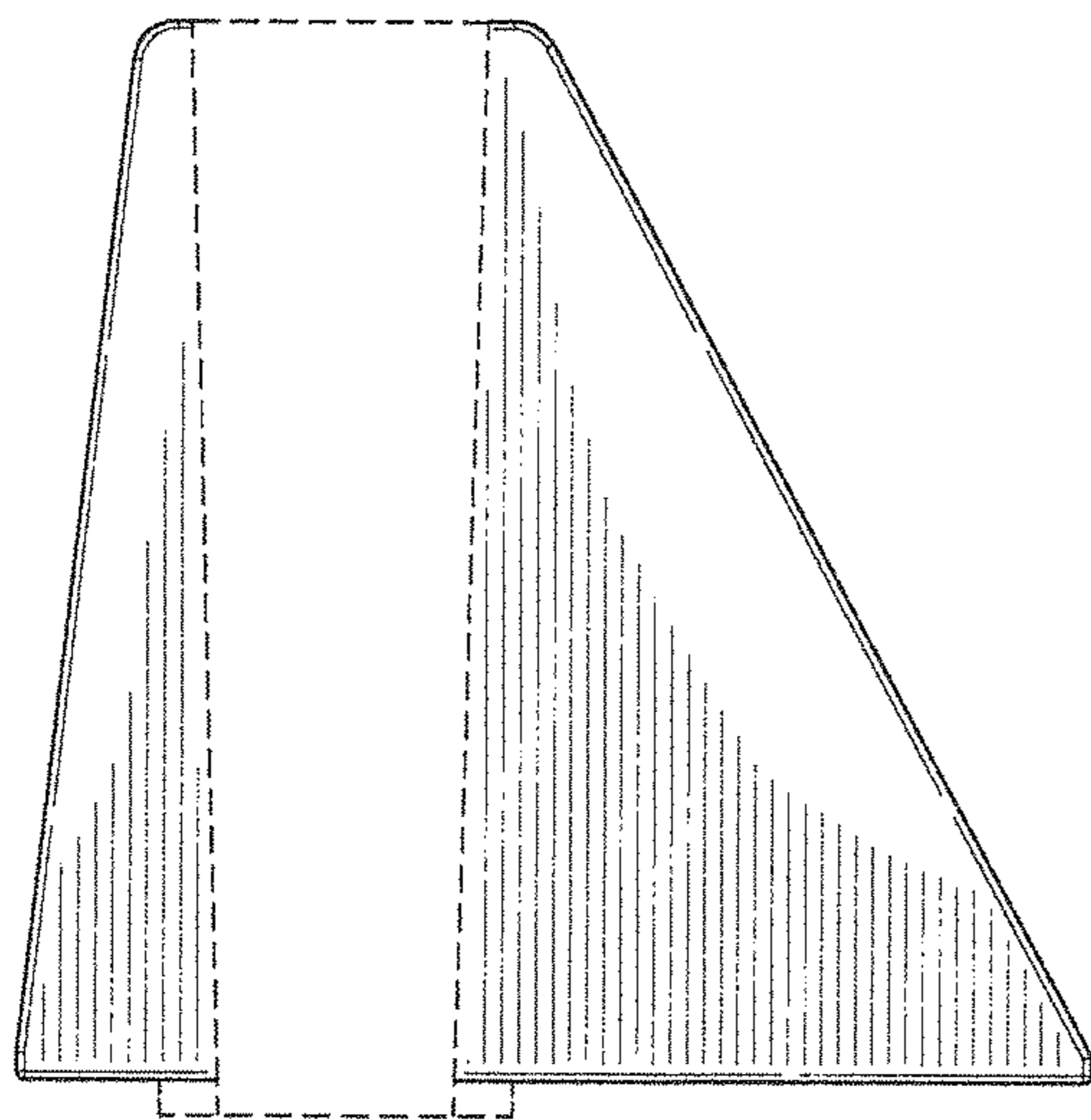


FIG. 4

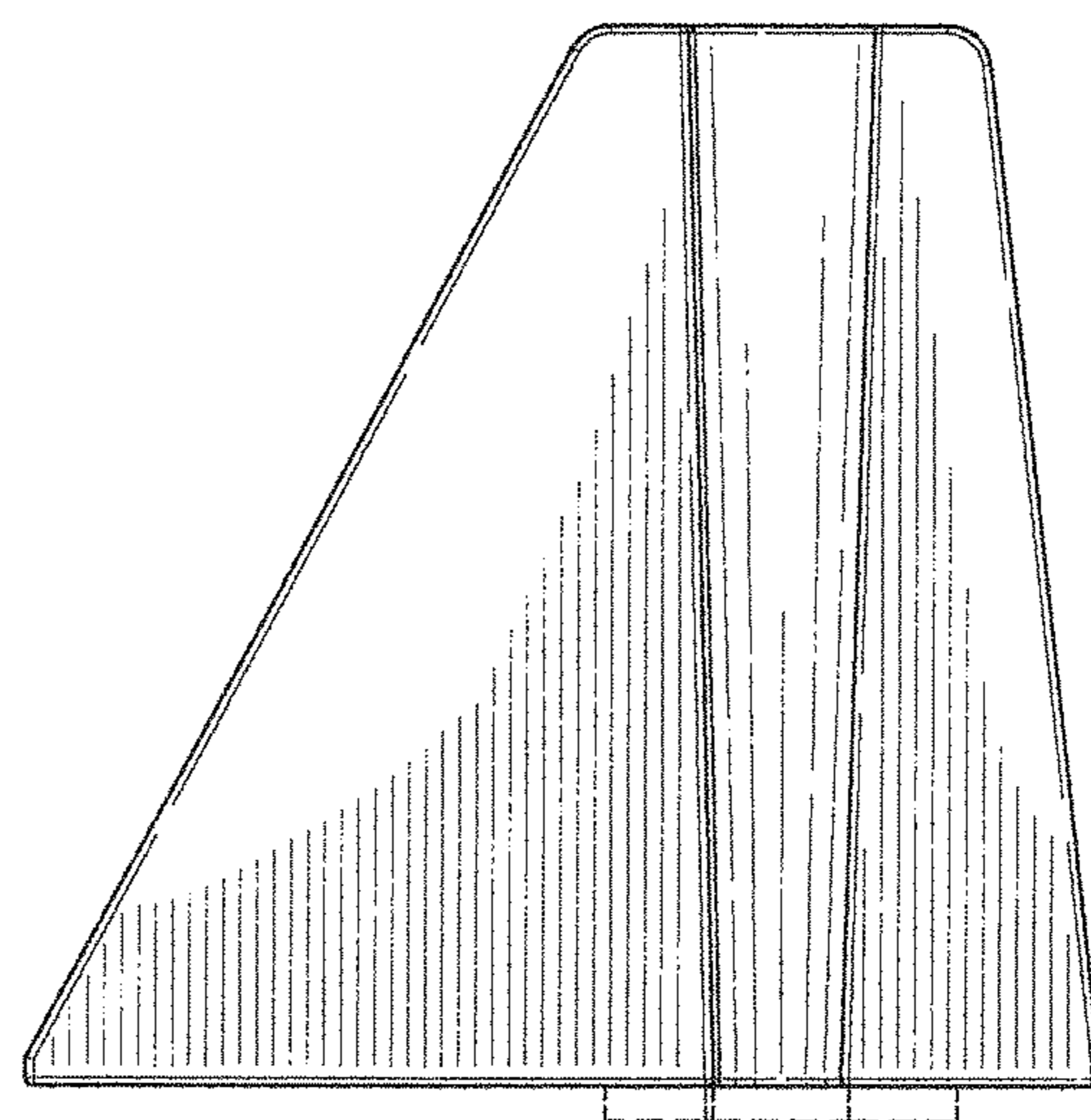


FIG. 5

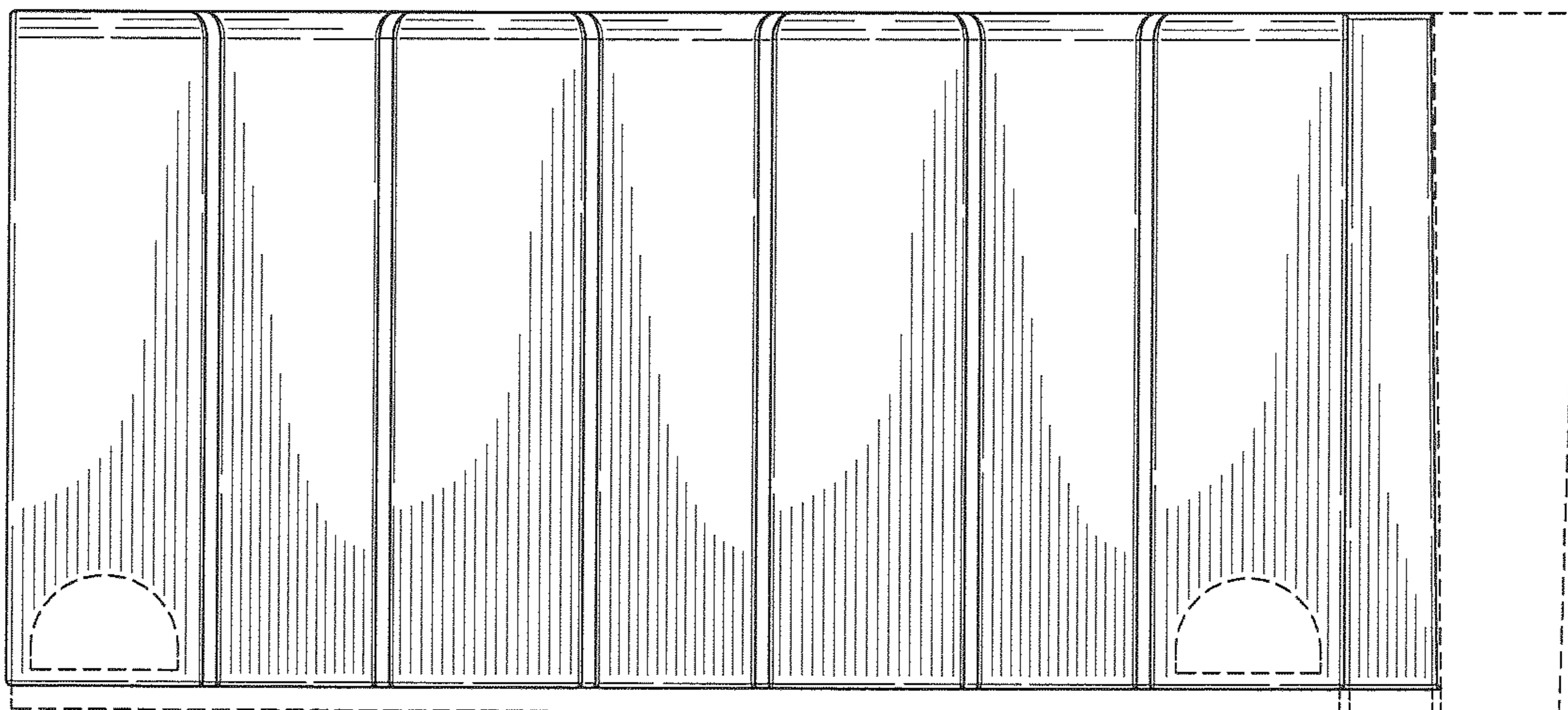


FIG. 6

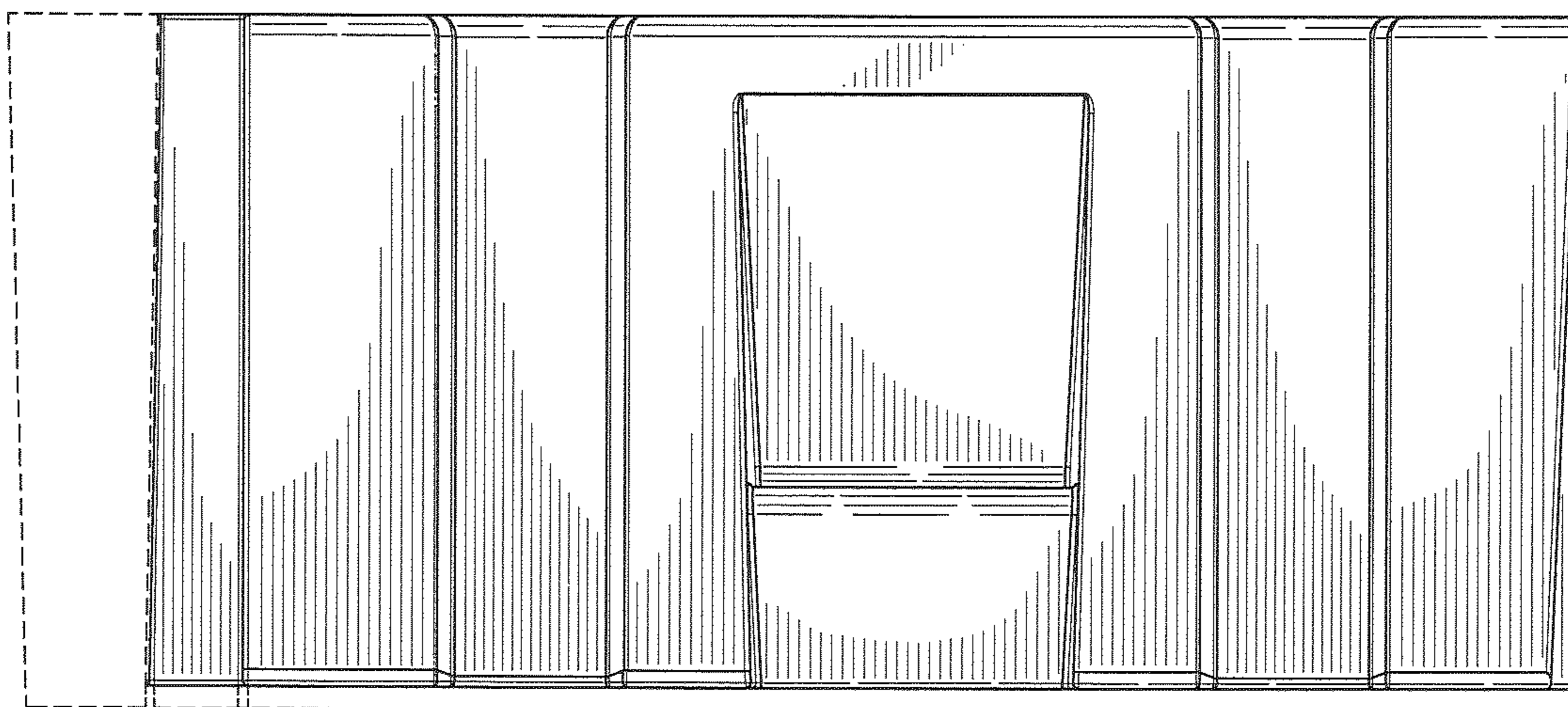


FIG. 7

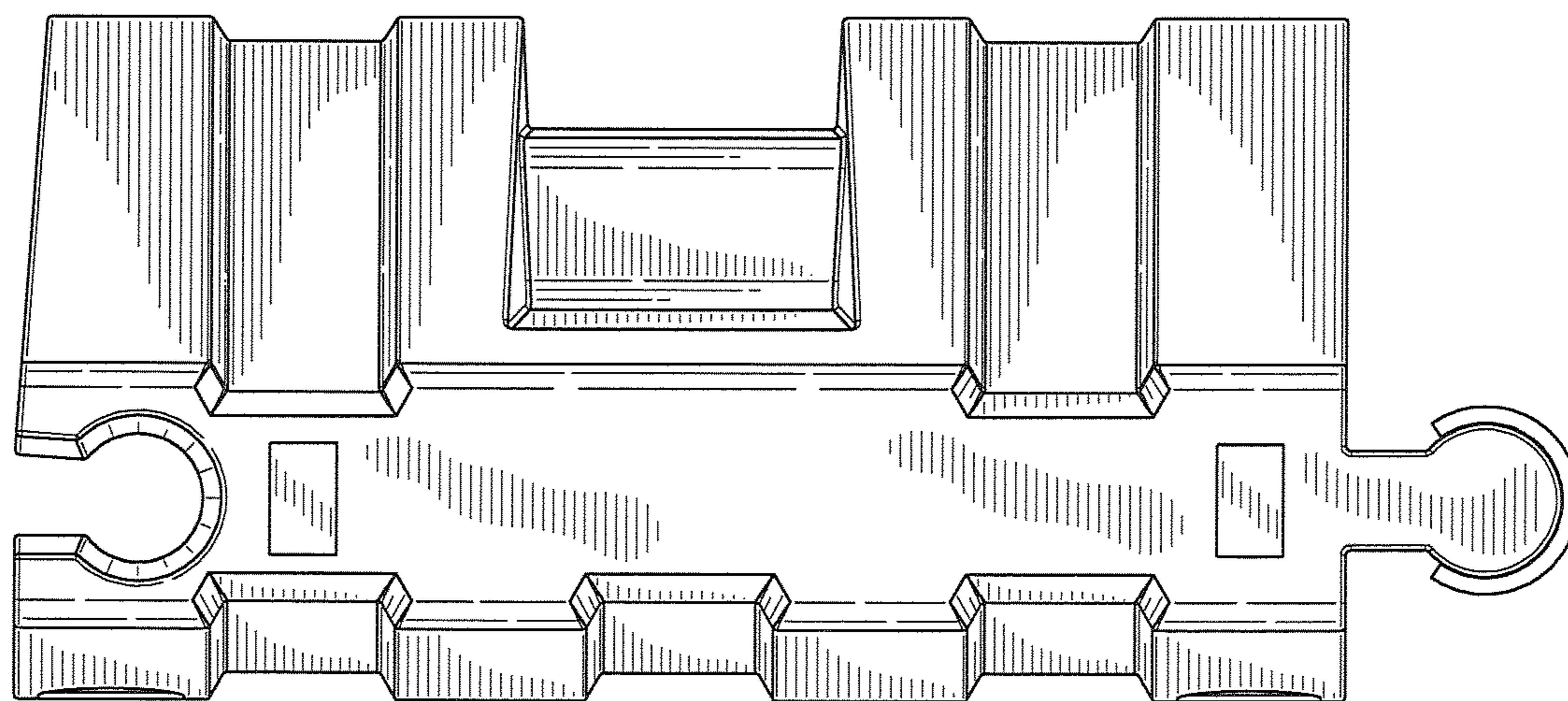


FIG. 8

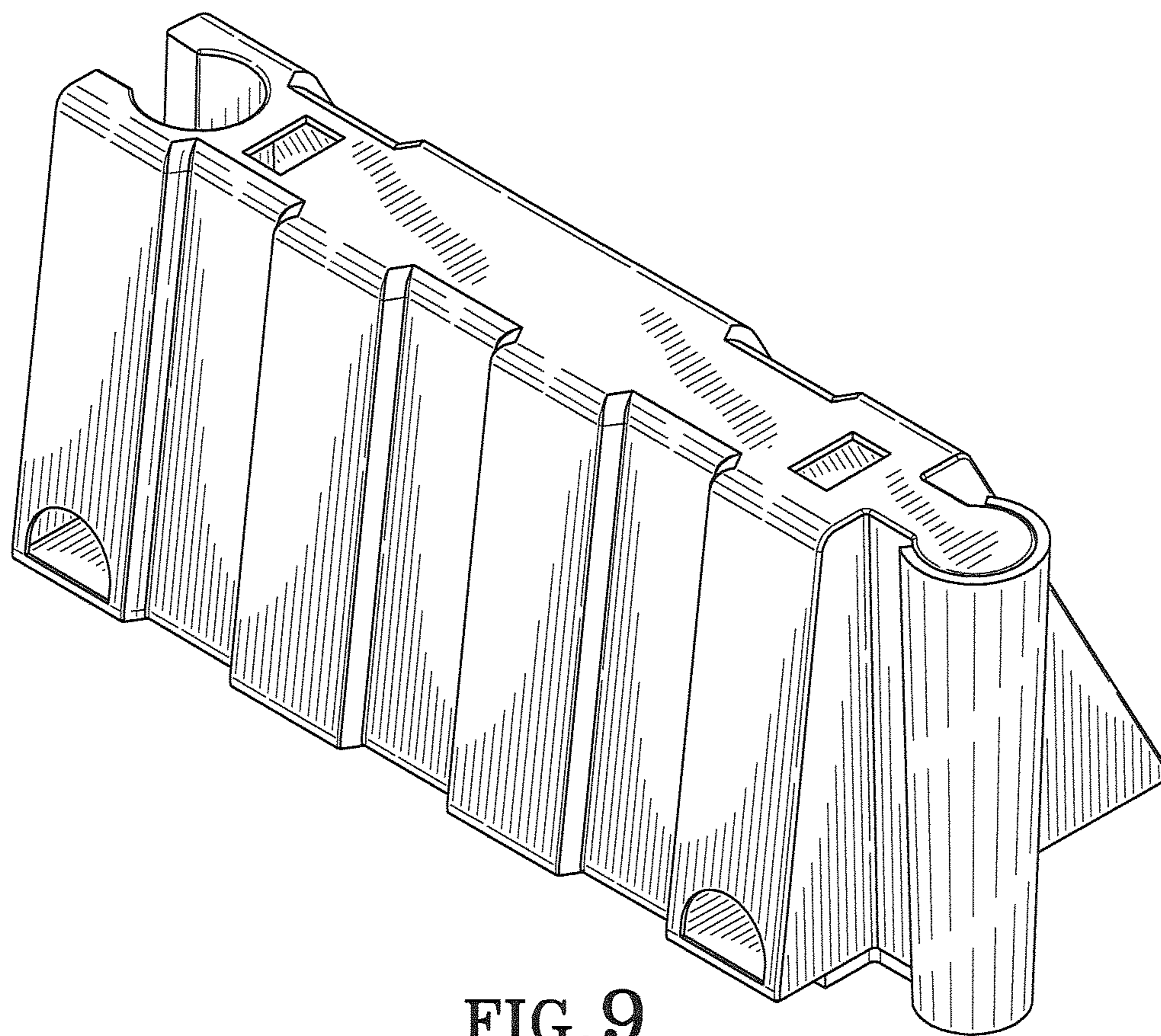


FIG. 9

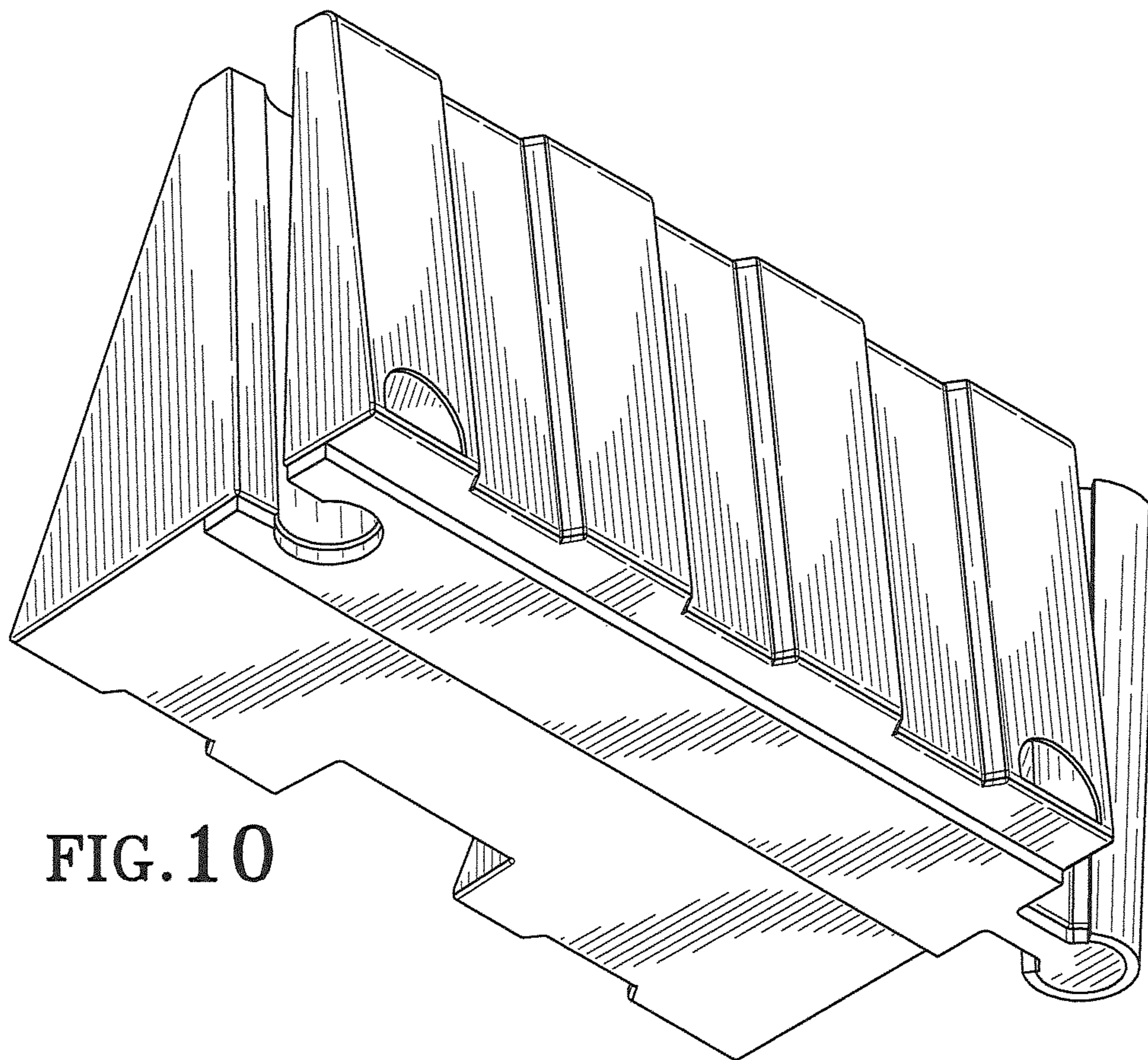


FIG. 10

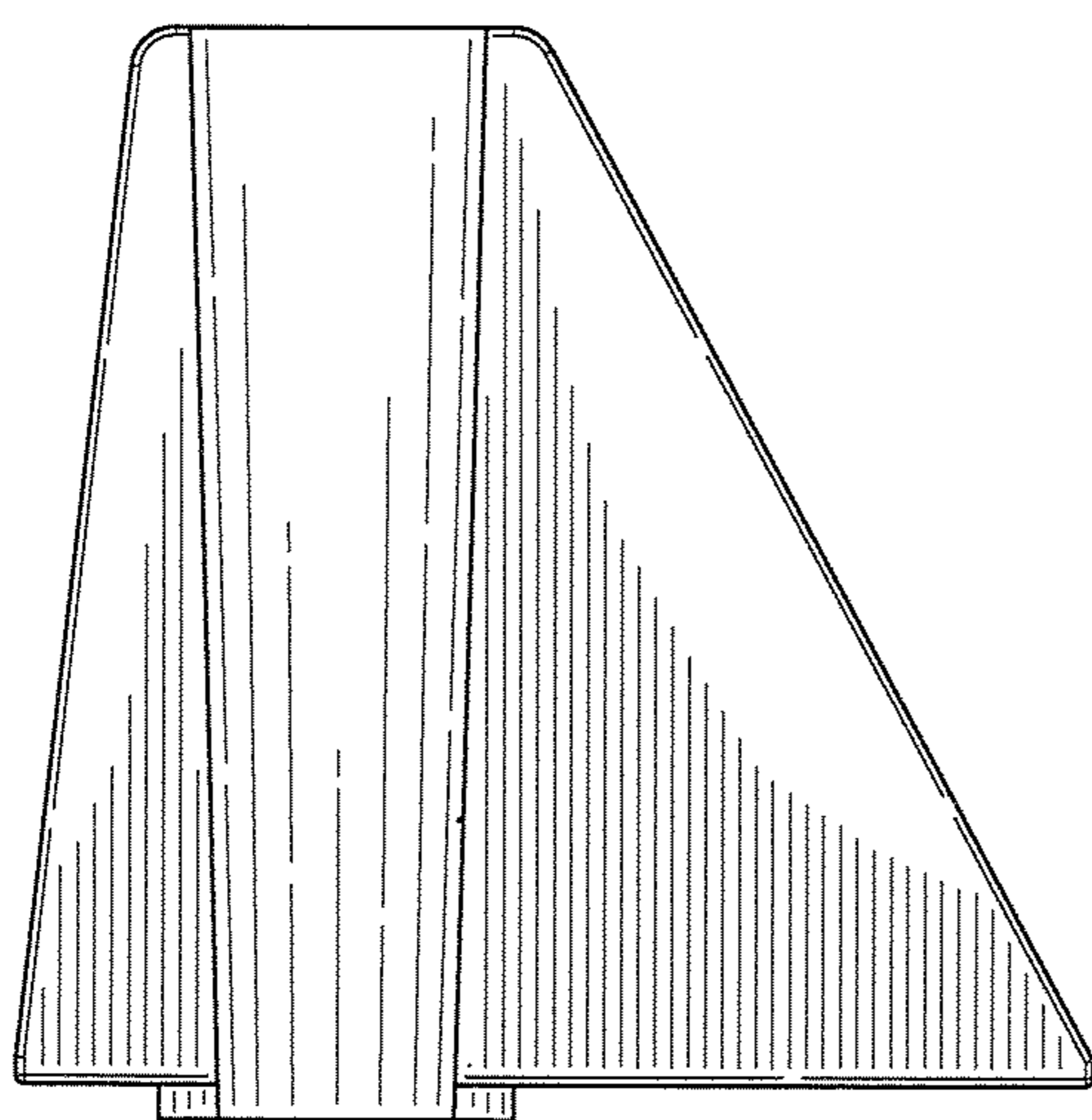


FIG. 11

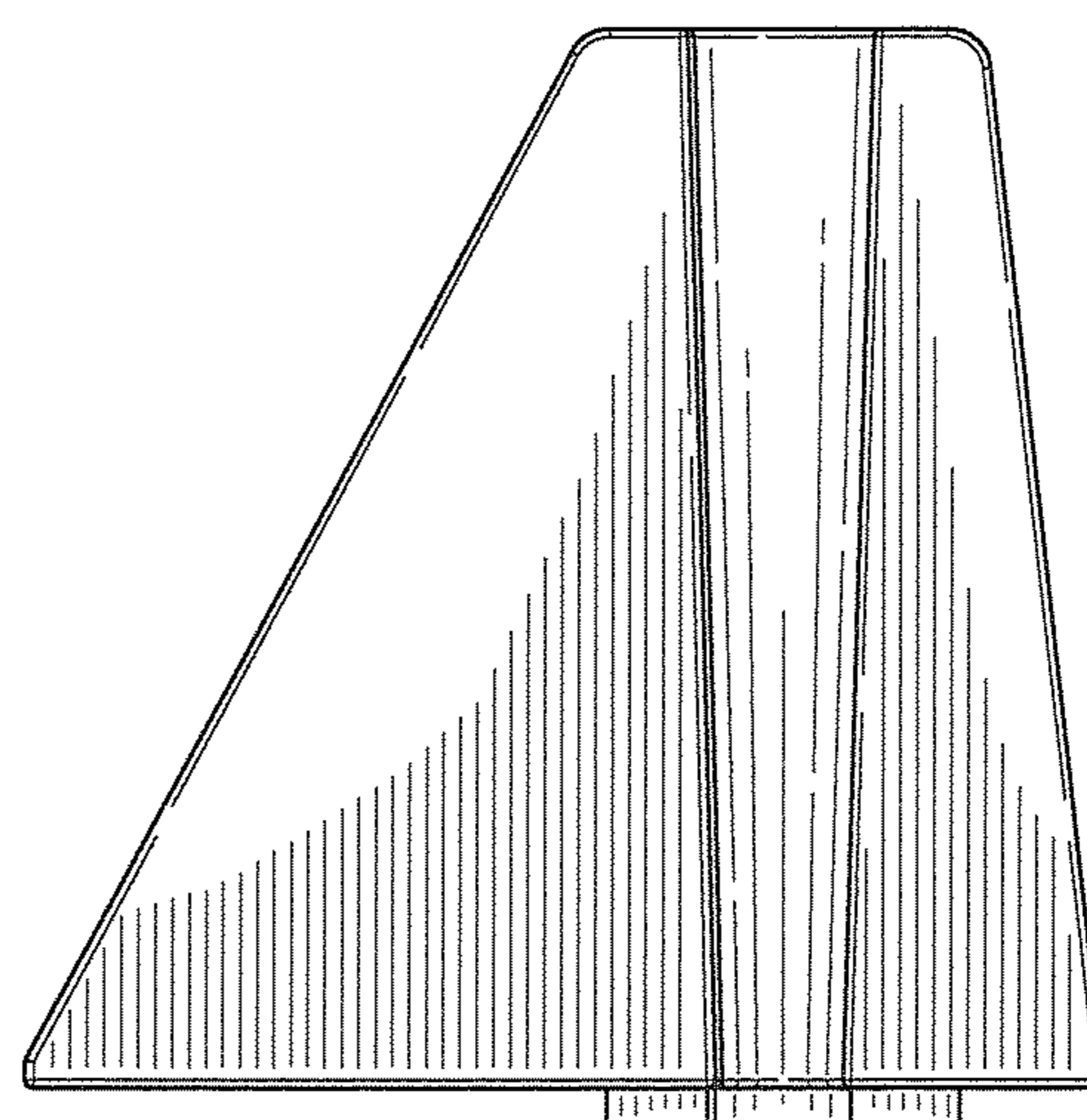


FIG. 12

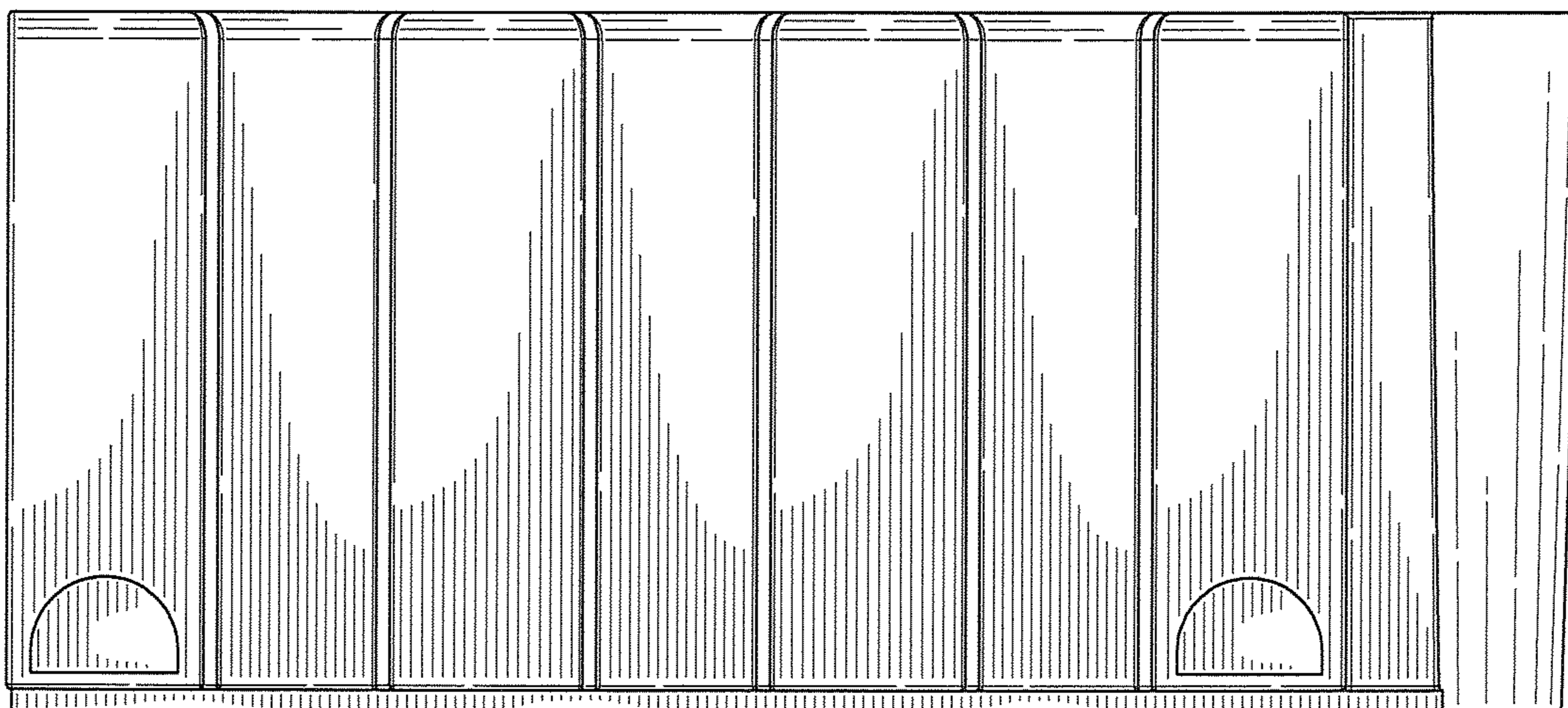


FIG. 13

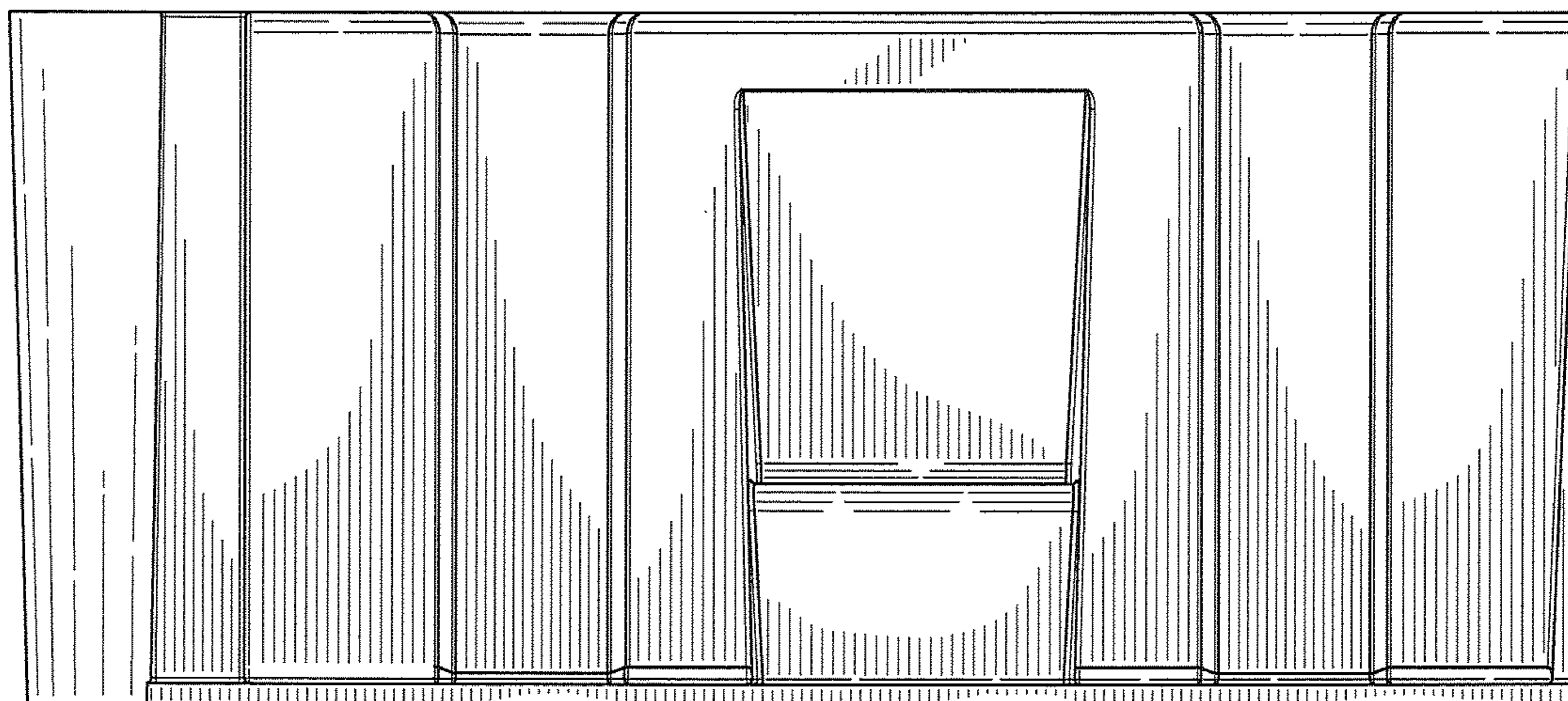


FIG. 14

UNITED STATES PATENT AND TRADEMARK OFFICE
CERTIFICATE OF CORRECTION

PATENT NO. : D887,020 S
APPLICATION NO. : 29/658384
DATED : June 9, 2020
INVENTOR(S) : Simon Phelps

Page 1 of 1

It is certified that error appears in the above-identified patent and that said Letters Patent is hereby corrected as shown below:

On the Title Page

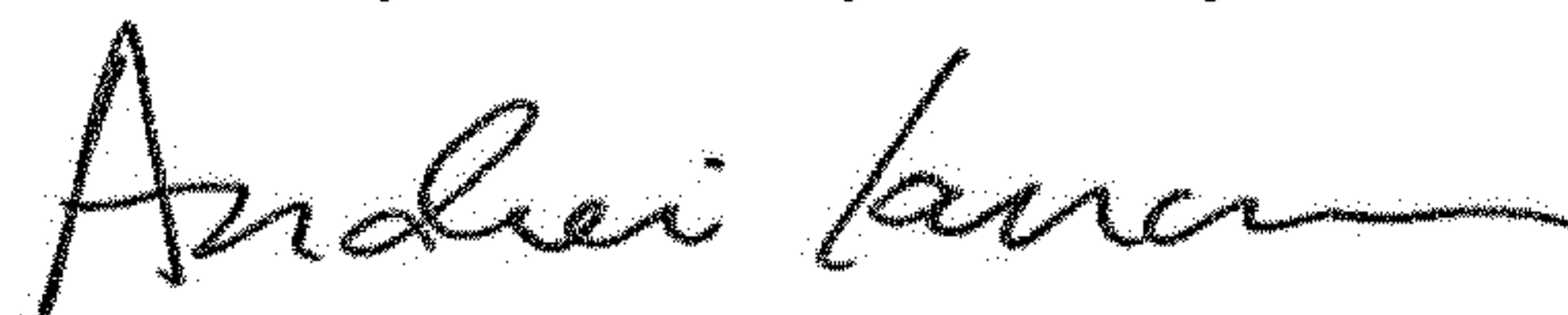
Column 1, Item (30) should be included to read:

-- (30) Foreign Application Priority Data

March 22, 2018 (EM) 004958007-0001

March 22, 2018 (EM) 004958007-0002 --.

Signed and Sealed this
Twenty-first Day of July, 2020



Andrei Iancu
Director of the United States Patent and Trademark Office