



US00D887018S

(12) **United States Design Patent** (10) **Patent No.:** **US D887,018 S**
Yongjoonchoe et al. (45) **Date of Patent:** **** Jun. 9, 2020**

(54) **SKIN ANALYZER APPARATUS**
 (71) Applicant: **Lululab Inc.**, Seoul (KR)
 (72) Inventors: **Yongjoonchoe**, Seoul (KR);
Heejineom, Seoul (KR)
 (73) Assignee: **Lululab Inc.**, Seoul (KR)
 (**) Term: **15 Years**
 (21) Appl. No.: **35/506,514**
 (22) Filed: **Jun. 22, 2018**
 (80) **Hague Agreement Data**
 Int. Filing Date: **Jun. 22, 2018**
 Int. Reg. No.: **DM/200078**
 Int. Reg. Date: **Jun. 22, 2018**
 Int. Reg. Pub. Date: **Feb. 15, 2019**

D457,265 S * 5/2002 Gebhard D28/9
 D479,324 S * 9/2003 Greaney D24/111
 D596,748 S * 7/2009 Oberreiter D24/210
 D612,510 S * 3/2010 Byle D24/210
 D652,523 S * 1/2012 Bradley D24/209
 D652,919 S * 1/2012 Sherwood D24/133
 D656,620 S * 3/2012 Altshuler D24/209
 D671,226 S * 11/2012 Aulwes D24/215
 D696,770 S * 12/2013 Schneider D24/113
 D726,926 S * 4/2015 Matsushita D24/200
 D757,953 S * 5/2016 Philips D24/200
 D759,261 S * 6/2016 Son D24/215
 D773,676 S * 12/2016 Gufler D24/200
 D780,933 S * 3/2017 Uchida D24/200
 D787,693 S * 5/2017 Matsushita D24/200
 D791,960 S * 7/2017 Guanying D24/209
 D794,784 S * 8/2017 Bradley D24/133
 D819,221 S * 5/2018 Lei D24/200
 D820,263 S * 6/2018 Rebello D14/426
 D829,921 S * 10/2018 Xiong D24/214
 D838,860 S * 1/2019 Lee D24/214

(Continued)

(51) **LOC (12) Cl.** **28-03**
 (52) **U.S. Cl.**
 USPC **D24/200**
 (58) **Field of Classification Search**
 USPC D24/200, 206, 209, 211, 214, 215;
 D28/57, 58; D4/100, 102, 111, 119, 127,
 D4/138
 CPC A46B 5/00; A46B 5/079; A46B 5/0095;
 A46B 5/021; A46B 13/00; A46B 13/02;
 A46B 13/001; A46B 2200/00; A46B
 2200/10; A46B 2200/102; A46B
 2200/1006; A61H 9/00; A61H 2205/00;
 A61H 2205/022-028
 See application file for complete search history.

(56) **References Cited**
 U.S. PATENT DOCUMENTS

D226,583 S * 3/1973 Welch D24/214
 D414,582 S * 9/1999 Hwang D24/200
 6,312,397 B1 * 11/2001 Gebhard A61F 7/007
 601/15

OTHER PUBLICATIONS

[Online] "Lumini" <http://www.lulu-lab.com/en/>. Retrieved Oct. 27, 2019.*

Primary Examiner — Melanie Pellegrini
 (74) *Attorney, Agent, or Firm* — Revolution IP, PLLC

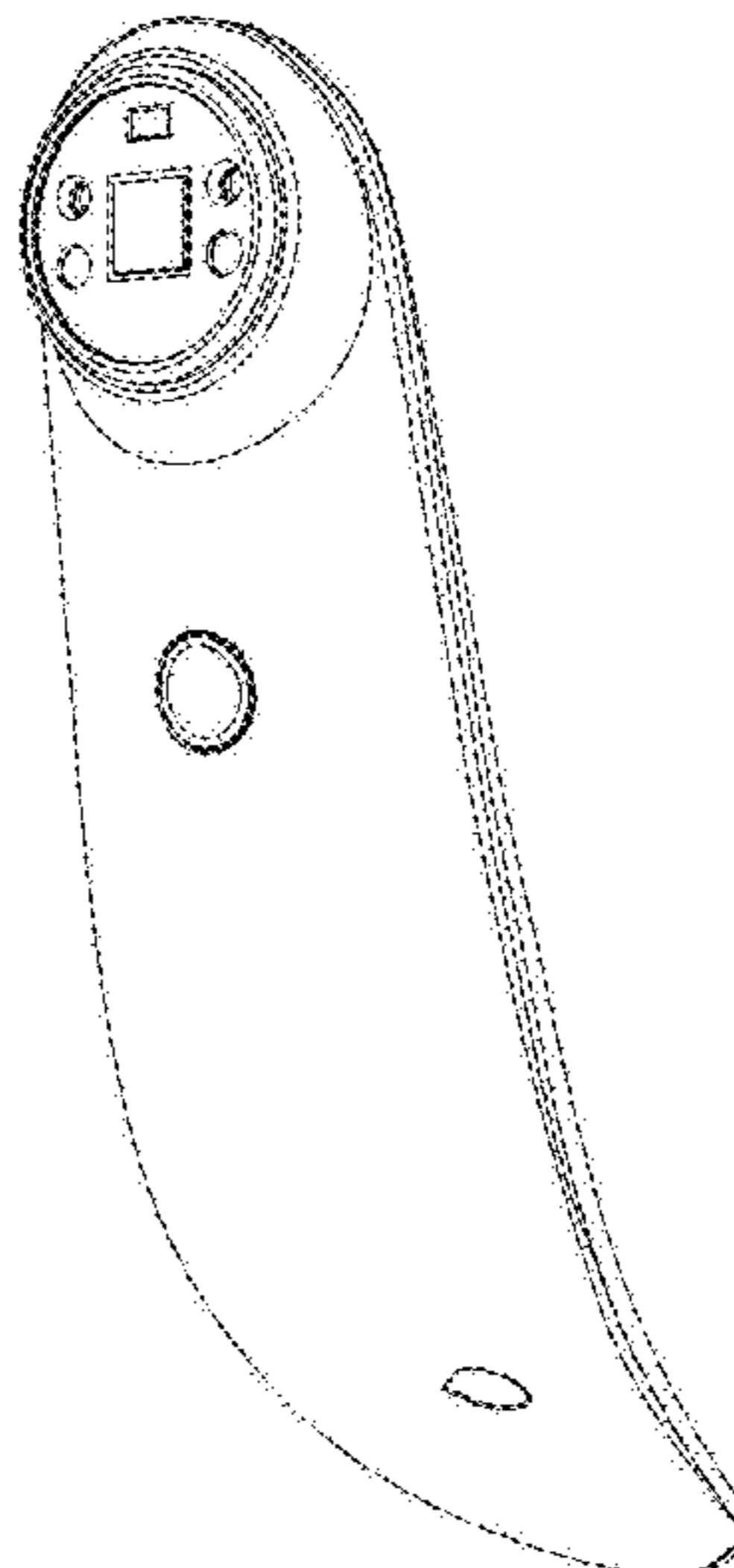
(57) **CLAIM**

The ornamental design for a skin analyzer apparatus, as shown and described.

DESCRIPTION

- 1. Skin analyzer apparatus
- 1.1 : Perspective
- 1.2 : Front
- 1.3 : Back
- 1.4 : Left
- 1.5 : Right
- 1.6 : Top
- 1.7 : Bottom

1 Claim, 7 Drawing Sheets



(56)

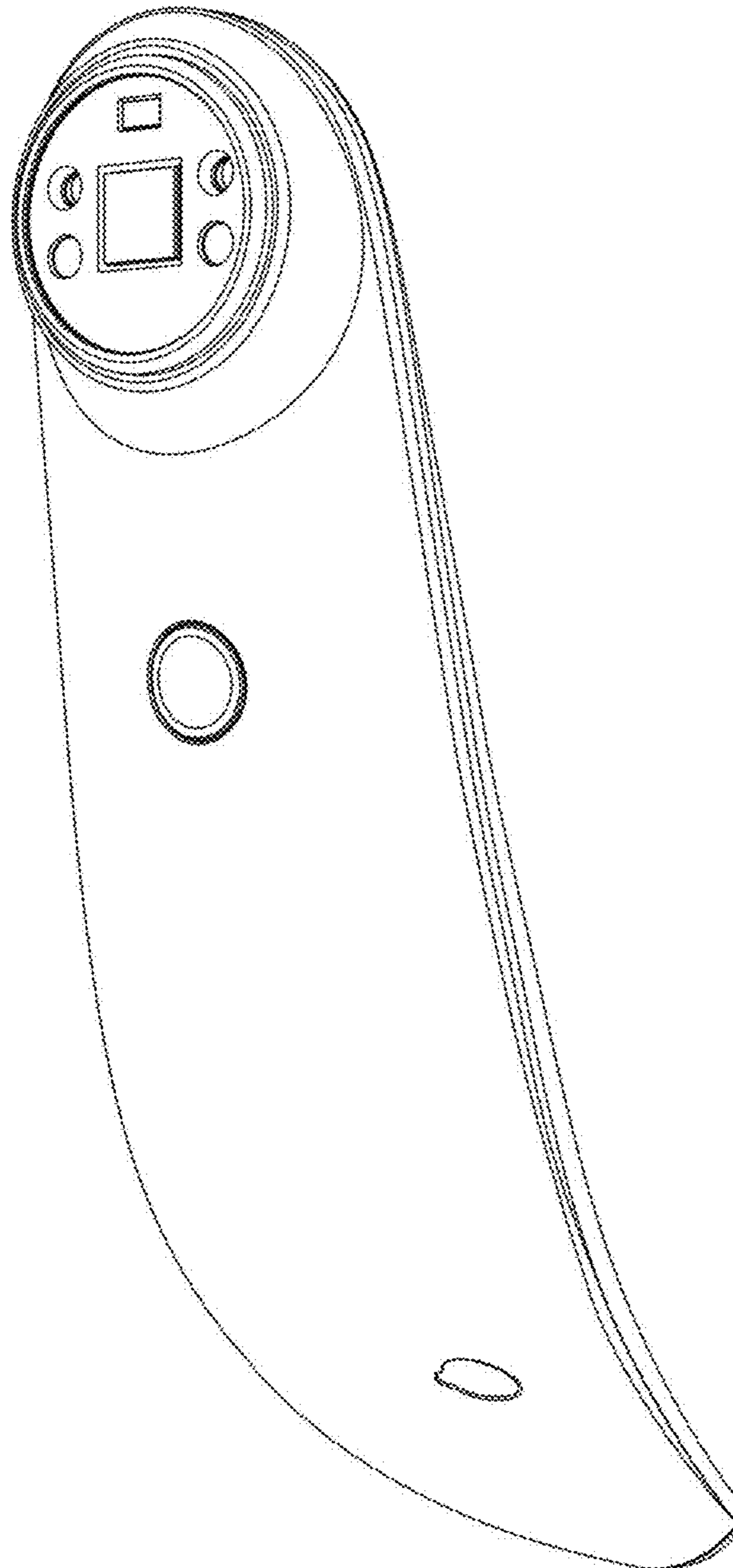
References Cited

U.S. PATENT DOCUMENTS

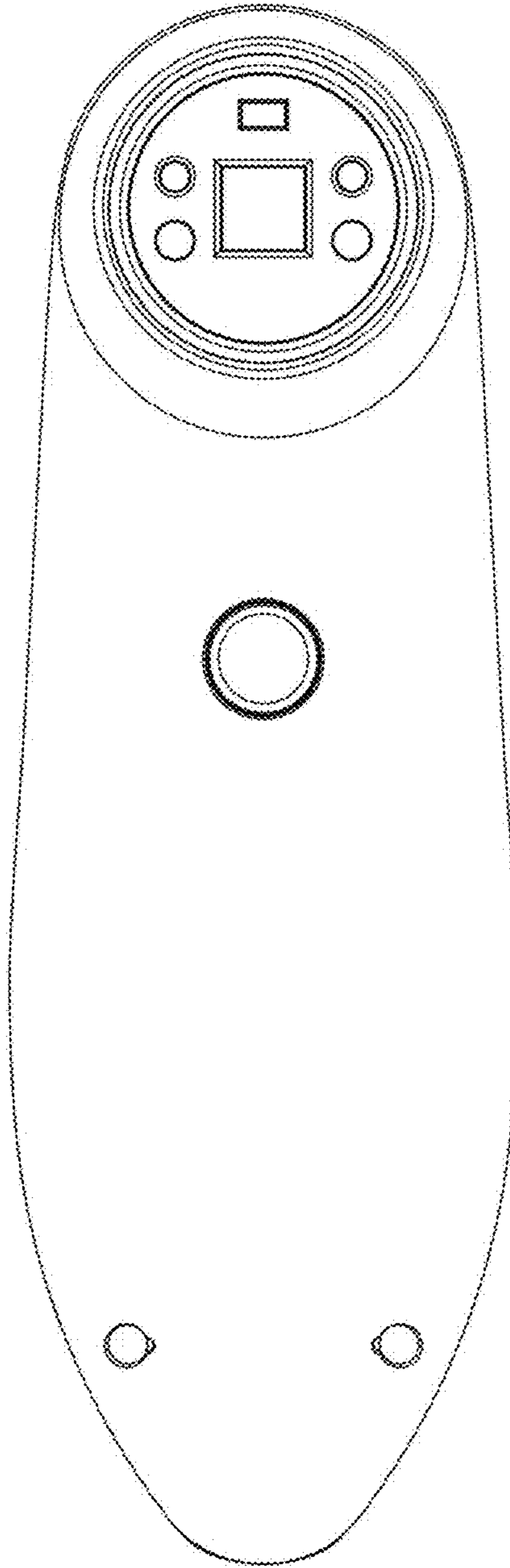
D847,360 S * 4/2019 Levi D24/214
D850,638 S * 6/2019 Cha D24/200
D863,574 S * 10/2019 Yan D24/200
2007/0038206 A1* 2/2007 Altshuler A61B 18/203
606/20

* cited by examiner

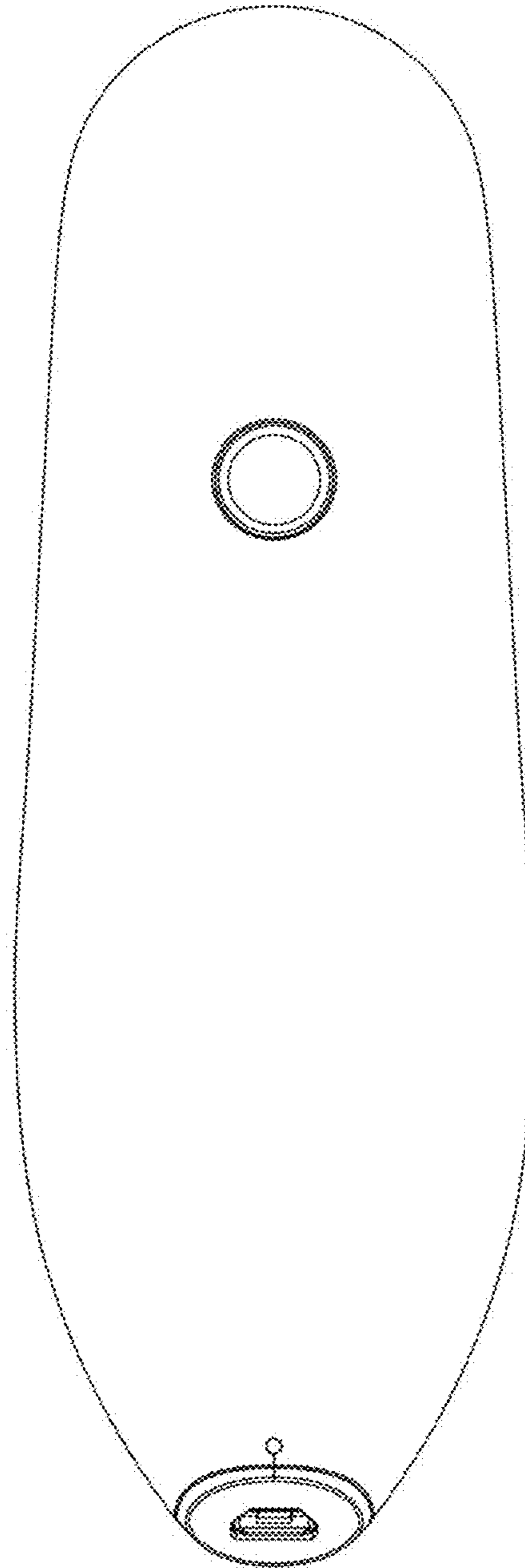
1.1



1.2



1.3



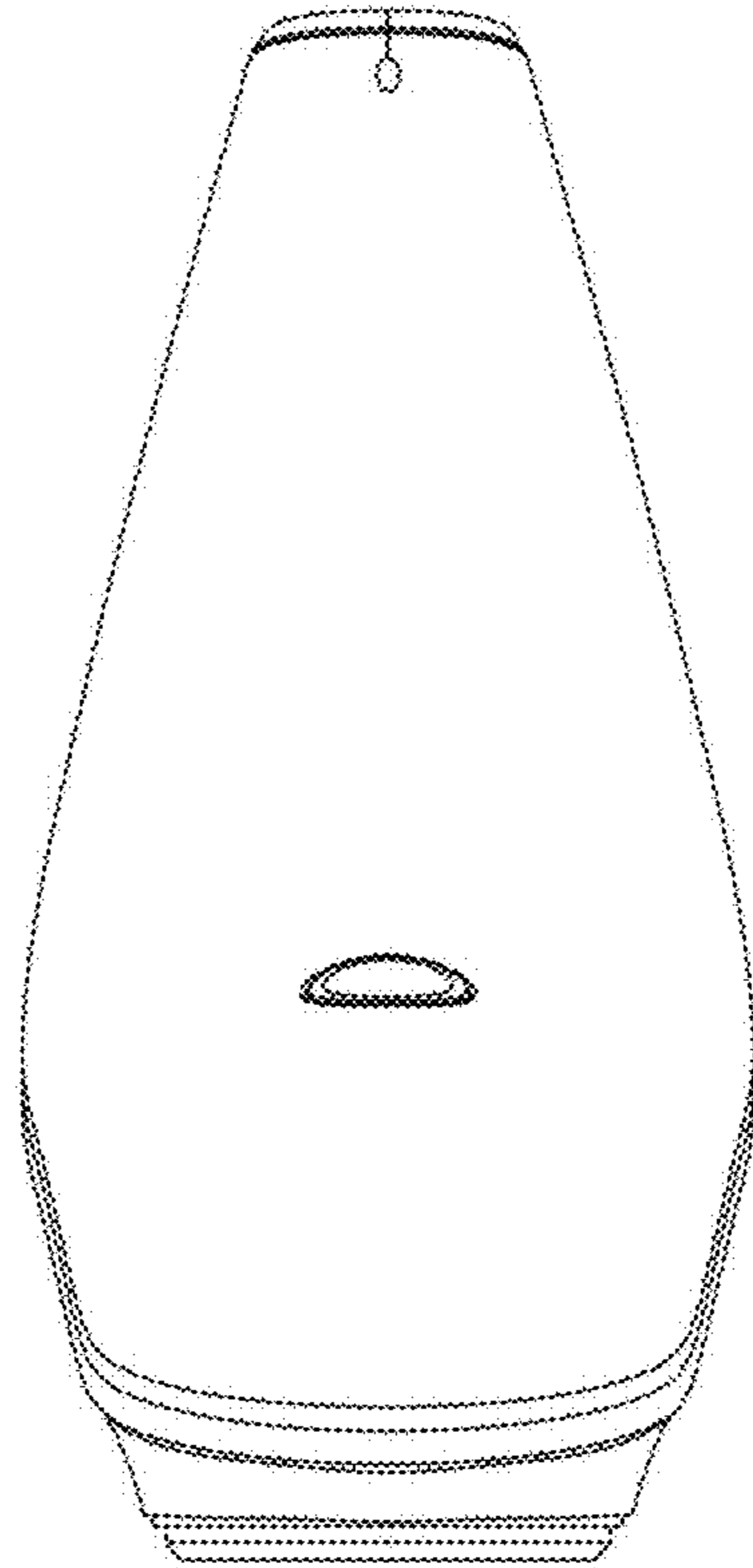
1.4



1.5



1.6



1.7

