



US00D887016S

(12) **United States Design Patent**
Aslan et al.

(10) **Patent No.:** **US D887,016 S**
(45) **Date of Patent:** **** Jun. 9, 2020**

(54) **TEETHER**

OTHER PUBLICATIONS

- (71) Applicant: **Skip Hop, Inc.**, New York, NY (US)
- (72) Inventors: **Adlin Aslan**, New York, NY (US);
Benjamin Bearsch, Brooklyn, NY (US)
- (73) Assignee: **SKIP HOP, INC.**, New York, NY (US)
- (**) Term: **15 Years**
- (21) Appl. No.: **29/657,015**
- (22) Filed: **Jul. 18, 2018**
- (51) **LOC (12) Cl.** **24-04**
- (52) **U.S. Cl.**
USPC **D24/195**
- (58) **Field of Classification Search**
USPC D24/193, 194, 195, 214; D1/106, 107,
D1/115, 125, 199; D21/418, 483, 496,
D21/576, 584, 621, 628, 650, 684;
D29/113, 118, 121.2; D30/160; D2/605,
D2/606, 607, 614, 622, 980, 983, 984
CPC A61J 17/02; A61J 2200/44
See application file for complete search history.

“Skip Hop Stay Cool Teether”. Found online Jul. 22, 2019 at amazon.com. Page dated Sep. 17, 2018. Retrieved from https://www.amazon.com/Skip-Hop-Teether-BPA-Free-Silicone/dp/B07DTCGJ3X/ref=cm_cr_arp_d_product_top?ie=UTF8&th=1.*

“Richell Sun Teether”. Found online Mar. 13, 2019 at amazon.co.jp. Page dated May 13, 2006. Retrieved from https://www.amazon.co.jp/...tBJ&pf_rd_p=ad2ea29d-ea11-483c-9db2-6b5875bb9673&pf_rd_r=F22W023A0694F72R4FXG&pvc=1&refRID=F22W023A0694F72R4FXG.*

“Fitson Tony Series: Crab & Turtle”. Found online Apr. 18, 2017 at neuheiten.koelnmesse.net. Page dated 2012. Retrieved from http://neuheiten.koelnmesse.net/100/2012/de/products/view/product_id:8383.*

“Munchables Owl Chew Necklace”. Found online Jul. 11, 2019 at amazon.com. Page dated Aug. 19, 2016. Retrieved from https://www.amazon.com/Munchables-Owl-Chew-Necklace-Chewable/dp/B01HKAPLHE/ref=cm_cr_arp_d_product_top?ie=UTF8&th=1.*

* cited by examiner

Primary Examiner — Kendra Leslie Hamilton
(74) *Attorney, Agent, or Firm* — Stephen J. Weyer, Esq.;
Stites & Harbison, PLLC

(56) **References Cited**

(57) **CLAIM**

U.S. PATENT DOCUMENTS

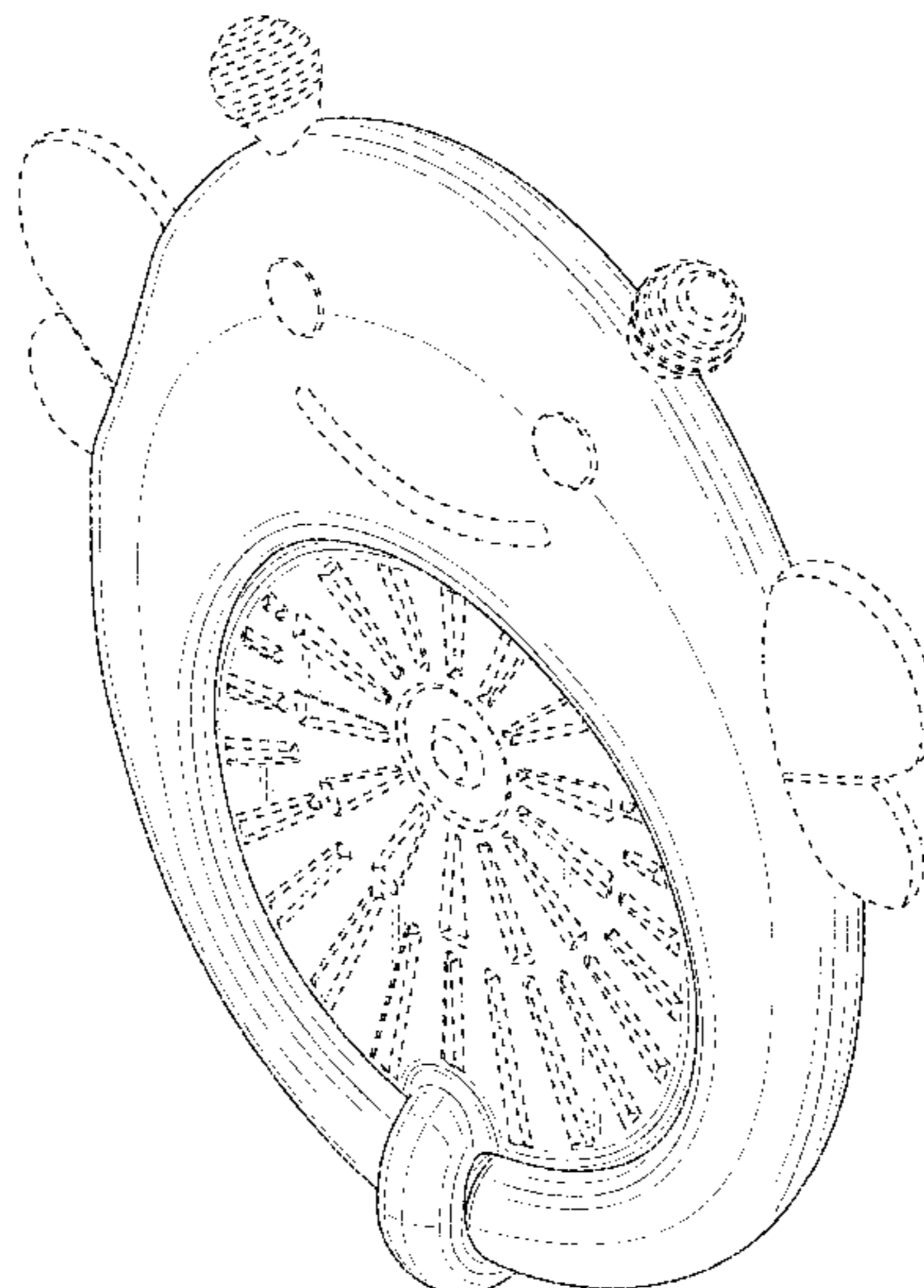
The ornamental design for a teether, as shown and described.

D277,880 S *	3/1985	Paczko	D21/408
D368,778 S *	4/1996	Kino	D24/194
5,782,868 A *	7/1998	Moore, Jr.	A61J 17/02
				606/235
D398,034 S *	9/1998	Lun	D21/406
D640,382 S *	6/2011	Roehrig	D24/194
D640,384 S *	6/2011	Roehrig	D24/194
D647,146 S *	10/2011	Islava	D21/576
D739,033 S *	9/2015	Lee	D24/195
D741,501 S *	10/2015	Reed	D24/195
D768,303 S *	10/2016	Pauschitz	D24/195
2005/0004603 A1 *	1/2005	Desousa	A61J 17/02
				606/235
2009/0287247 A1 *	11/2009	Chipperson	A61J 17/02
				606/235
2014/0243895 A1 *	8/2014	Kellogg	A61J 17/02
				606/235

DESCRIPTION

FIG. 1 is a front, right perspective view of a teether, showing our new design;
FIG. 2 is a front elevation view;
FIG. 3 is a rear elevation view;
FIG. 4 is a left side elevation view;
FIG. 5 is a right side elevation view;
FIG. 6 is a top plan view; and,
FIG. 7 is a bottom plan view thereof.
The broken lines in the drawings depict portions of the teether that form no part of the claimed design.

1 Claim, 7 Drawing Sheets



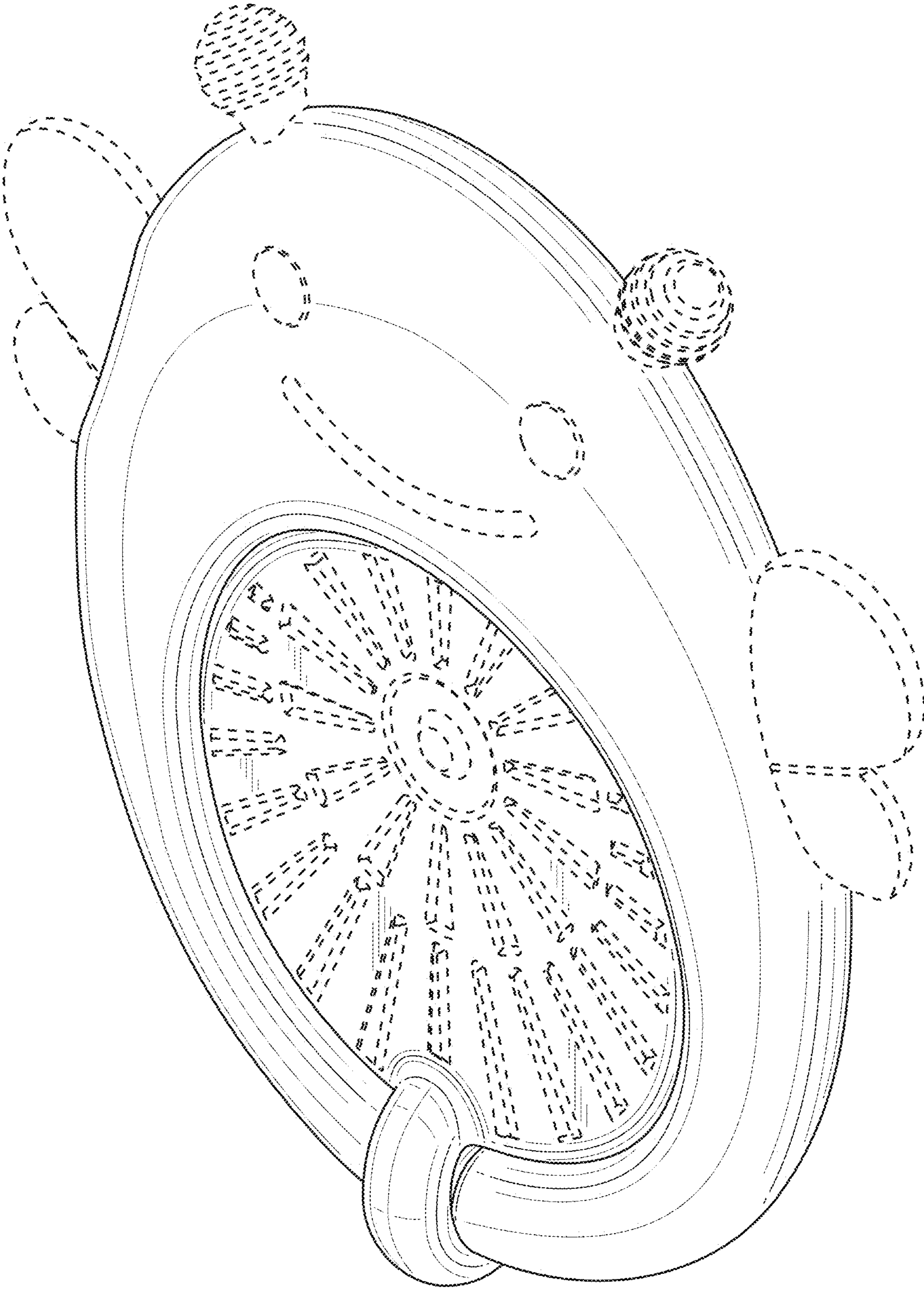


FIG. 1

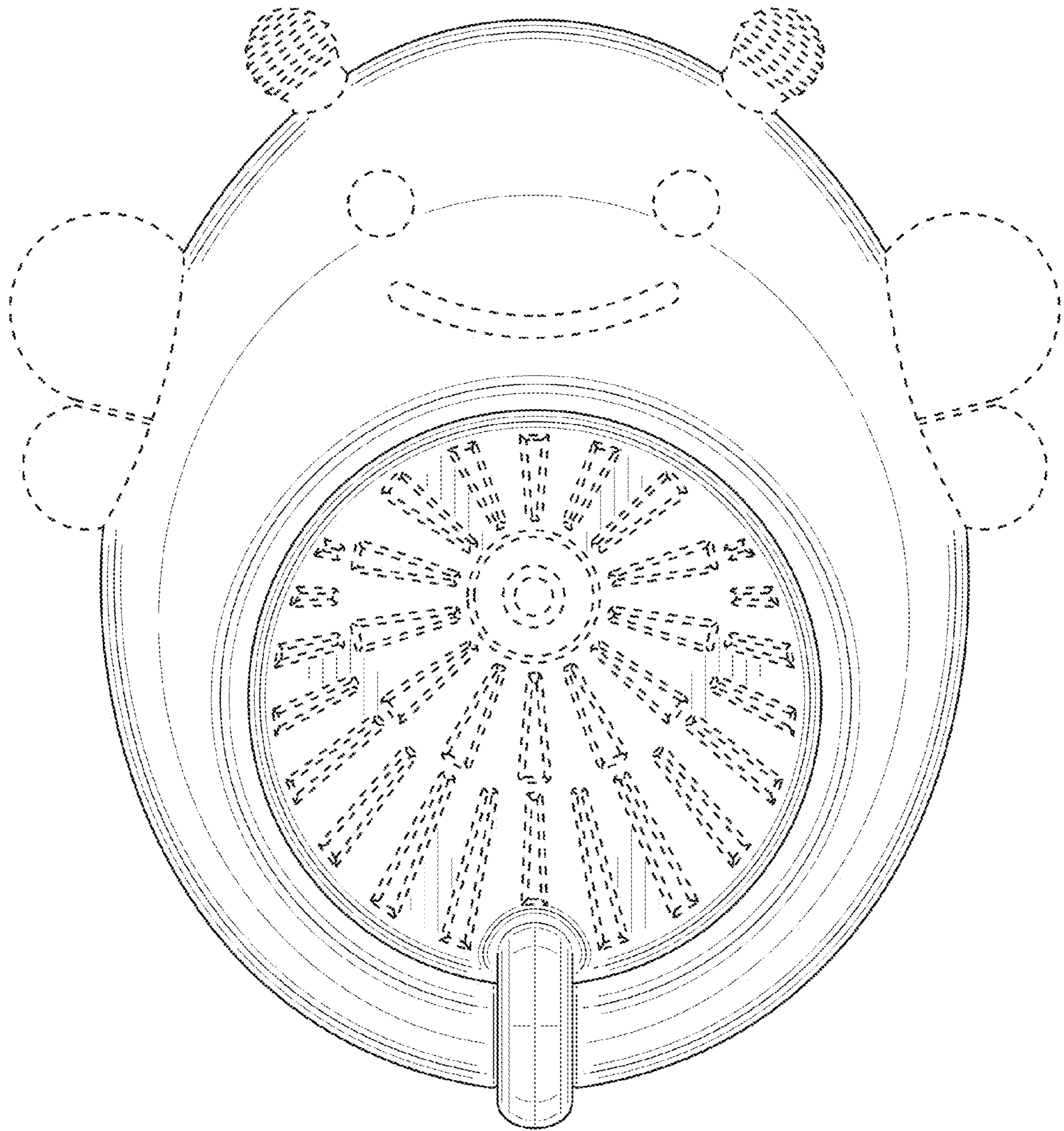


FIG. 2

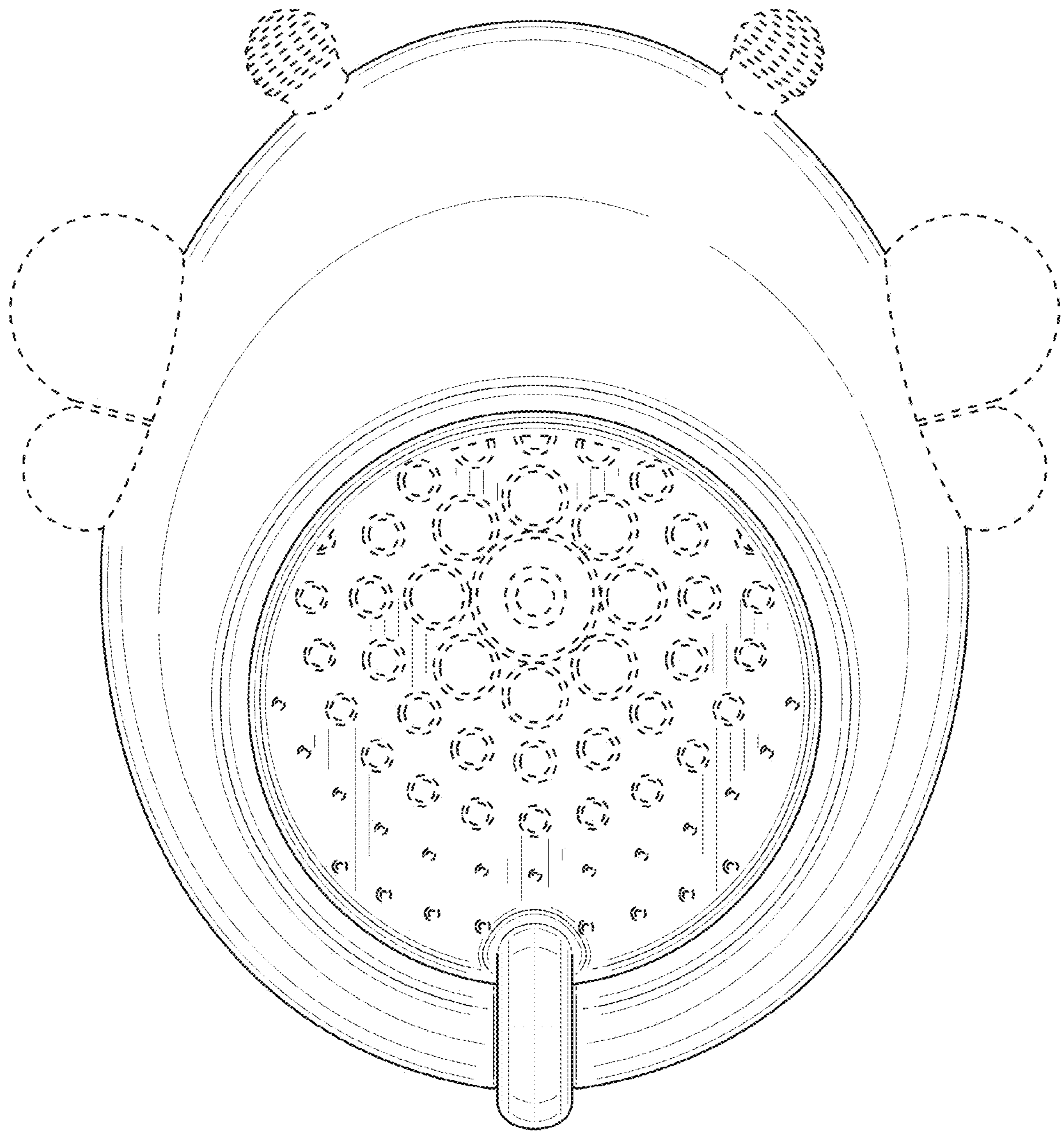


FIG. 3

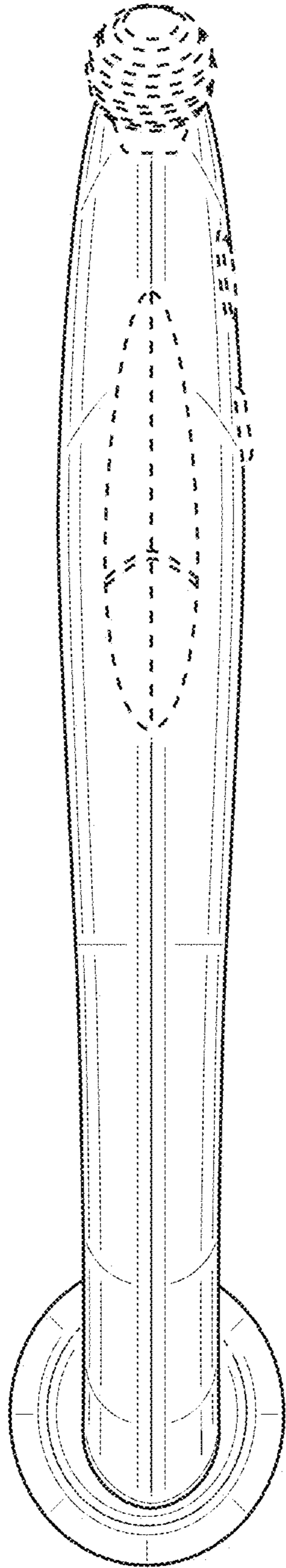


FIG. 4

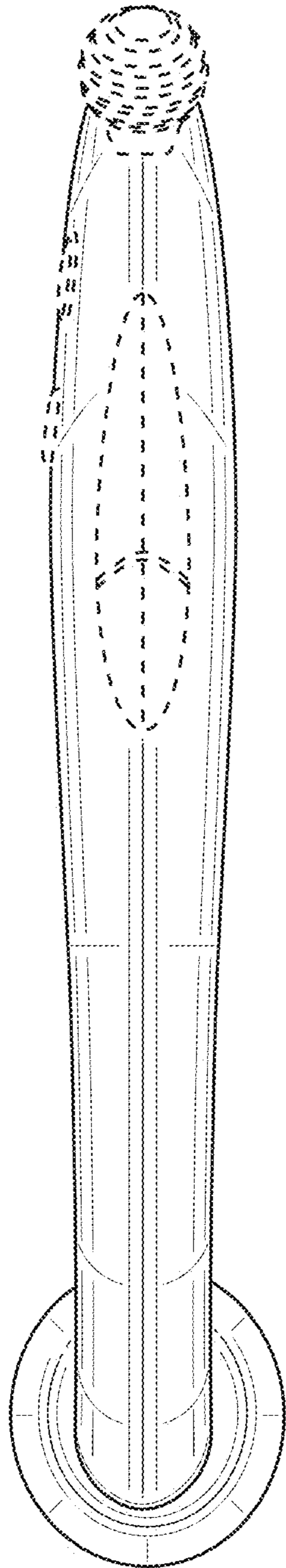


FIG. 5

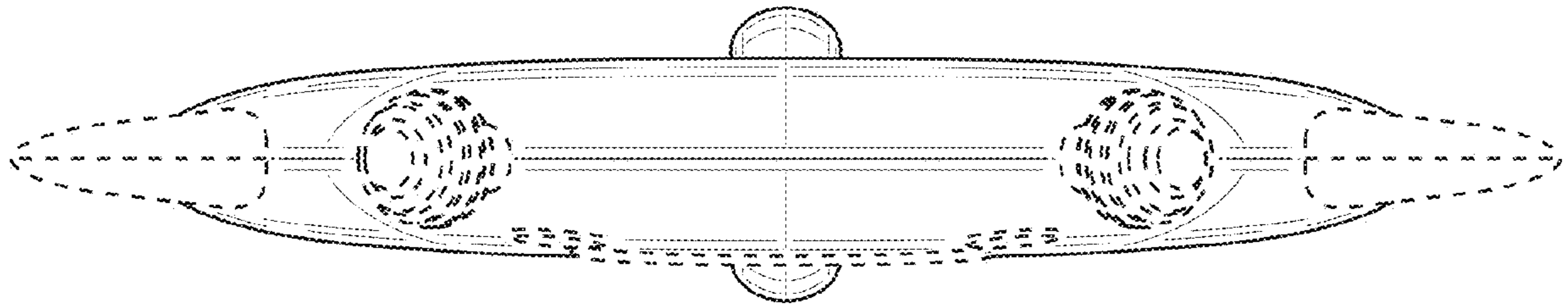


FIG. 6

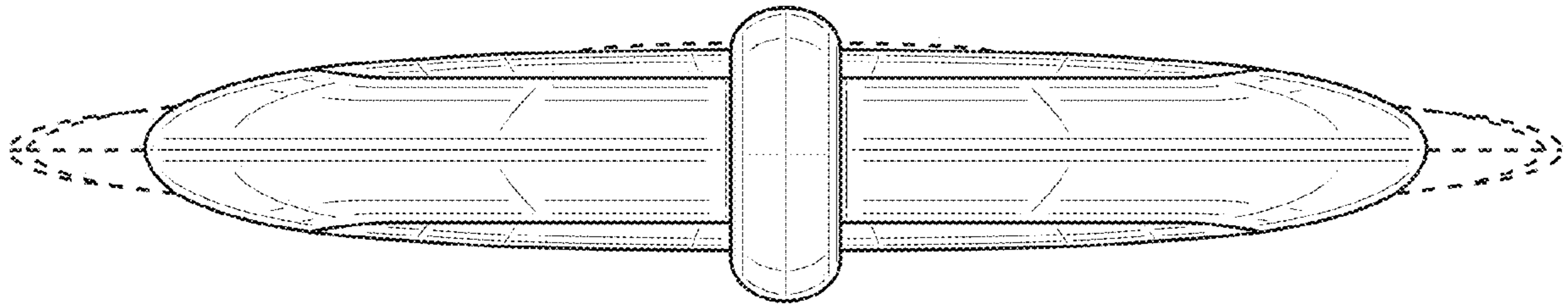


FIG. 7