



US00D887014S

(12) **United States Design Patent**  
**Ferrell**

(10) **Patent No.:** **US D887,014 S**  
(45) **Date of Patent:** **\*\* Jun. 9, 2020**

(54) **COMBINATION PACIFIER AND TEETHER**

(71) Applicant: **Lindsey Ferrell**, Lakeland, TN (US)

(72) Inventor: **Lindsey Ferrell**, Lakeland, TN (US)

(\*\*) Term: **15 Years**

(21) Appl. No.: **29/636,577**

(22) Filed: **Feb. 9, 2018**

(51) **LOC (12) Cl.** ..... **24-04**

(52) **U.S. Cl.**  
USPC ..... **D24/194**

(58) **Field of Classification Search**  
USPC ..... D24/115, 117, 193, 194, 195, 196, 197;  
D30/160; D7/392.1; D9/436; D21/576,  
D21/596, 604, 616, 619, 652  
CPC ..... A61J 17/00; A61J 17/001  
See application file for complete search history.

(56) **References Cited**

**U.S. PATENT DOCUMENTS**

3,267,937	A *	8/1966	Verschoor	.....	A61J 17/02 606/236
3,653,386	A	4/1972	Jacobus		
5,013,321	A	5/1991	MacVane		
6,056,774	A	5/2000	Johansen et al.		
6,066,162	A	5/2000	Hudson		
D440,718	S *	4/2001	Florance	.....	D30/160
6,447,536	B1 *	9/2002	Hinshaw	.....	A61J 17/02 606/235
D480,147	S *	9/2003	Sanbrook	.....	D24/194
6,695,869	B2 *	2/2004	Fitzpatrick	.....	A61J 17/001 606/234
6,905,507	B2 *	6/2005	Hinshaw	.....	A61J 17/02 606/235
D547,455	S *	7/2007	Greenberg	.....	D24/194
D547,456	S *	7/2007	Ramos	.....	D24/194
D588,043	S *	3/2009	Hardy	.....	D11/93
D594,559	S *	6/2009	Kliegman	.....	D24/194
D624,191	S *	9/2010	Johnson	.....	D24/194
8,057,512	B1	11/2011	Gibson		

D662,599	S *	6/2012	Rhodes, II	.....	D24/194
D674,495	S *	1/2013	Roehrig	.....	D24/194
9,198,836	B1	12/2015	Akinyelure		
2007/0288056	A1	12/2007	Goldwire		
2009/0287247	A1	11/2009	Chipperson et al.		
2013/0072977	A1	3/2013	Van Engen		

(Continued)

**FOREIGN PATENT DOCUMENTS**

DE	4661423	8/1995
WO	D087254-001	2/2012
WO	D087254-002	2/2016

**OTHER PUBLICATIONS**

“Chewbeads: Mercer Teether”. Found online Sep. 30, 2019 at facebook.com. Page dated Feb. 6, 2014. Retrieved from https://www.facebook.com/Chewbeads/photos/a.145985915439333/621088491262404/?type=3.\*

(Continued)

*Primary Examiner* — Kendra Leslie Hamilton  
(74) *Attorney, Agent, or Firm* — Baker Donelson

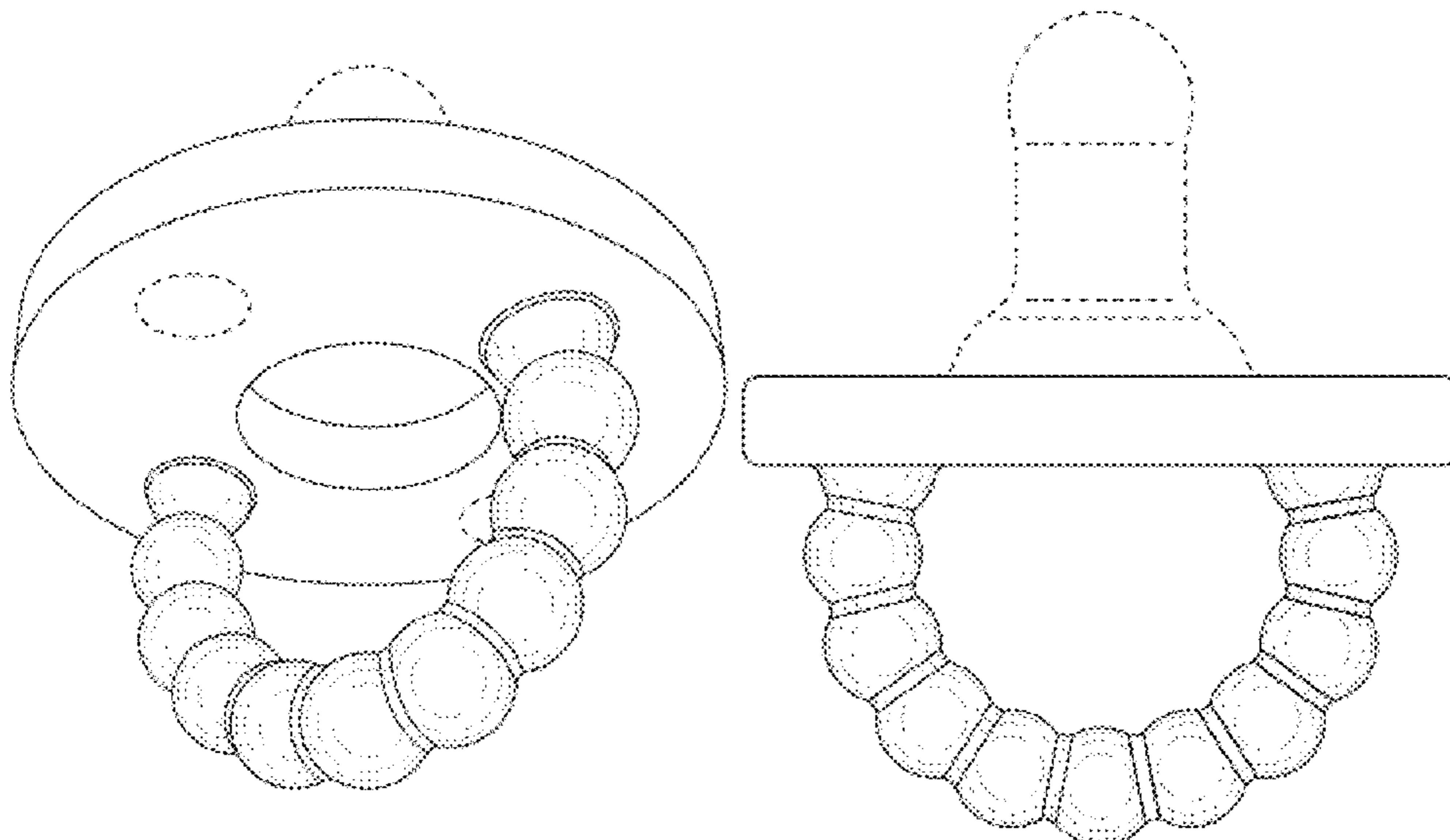
(57) **CLAIM**

The ornamental design for a combination pacifier and teether, as shown and described.

**DESCRIPTION**

FIG. 1 is a bottom, front, right perspective view of a combination pacifier and teether showing my new design; FIG. 2 is a bottom plan view thereof; FIG. 3 is front elevation view thereof; the rear elevation view being a mirror image thereof; and, FIG. 4 is a right side elevation view thereof; the left side view being a mirror image thereof. The broken lines in the drawings depict portions of the combination pacifier and teether that form no part of the claimed design.

**1 Claim, 4 Drawing Sheets**



(56)

**References Cited**

U.S. PATENT DOCUMENTS

2014/0236232 A1 8/2014 Knierim

OTHER PUBLICATIONS

“Chewbeads Gramercy Stroller Toy”. Found online Jul. 31, 2019 at weespring.com. Page dated Sep. 8, 2015. Retrieved from <https://weespring.com/product/7871/Chewbeads-Gramercy-Stroller-Toy->.\*

“Koshine Baby Food Feeder Set”. Found online 07/11/201 at amazon.com. Page dated Mar. 20, 2019. Retrieved from [https://www.amazon.co/koshine-Silicone-Pacifier-Teething-8Pack-Boys/dp/B07N6B568V/ref=cm\\_cr\\_ar\\_p\\_d\\_product\\_top?ie=UTF8&th=1](https://www.amazon.co/koshine-Silicone-Pacifier-Teething-8Pack-Boys/dp/B07N6B568V/ref=cm_cr_ar_p_d_product_top?ie=UTF8&th=1).\*

“Ryan & Rose: PATpat Pacifier-Teether”. Found online Sep. 28, 2019 at facebook.com. Page dated Feb. 10, 2018. Retrieved from <https://www.facebook.com/RyanAndRoseCutieClips/videos/1864528933588701/>.\*

“Ryan & Rose Cutie Teether”. Found online Sep. 28, 2019 at facebook.com. Page dated Feb. 10, 2017. Retrieved from <https://www.facebook.com/RyanAndRoseCutieClips/photos/a.874495315925406/1403719013003031/?type=3>.\*

\* cited by examiner

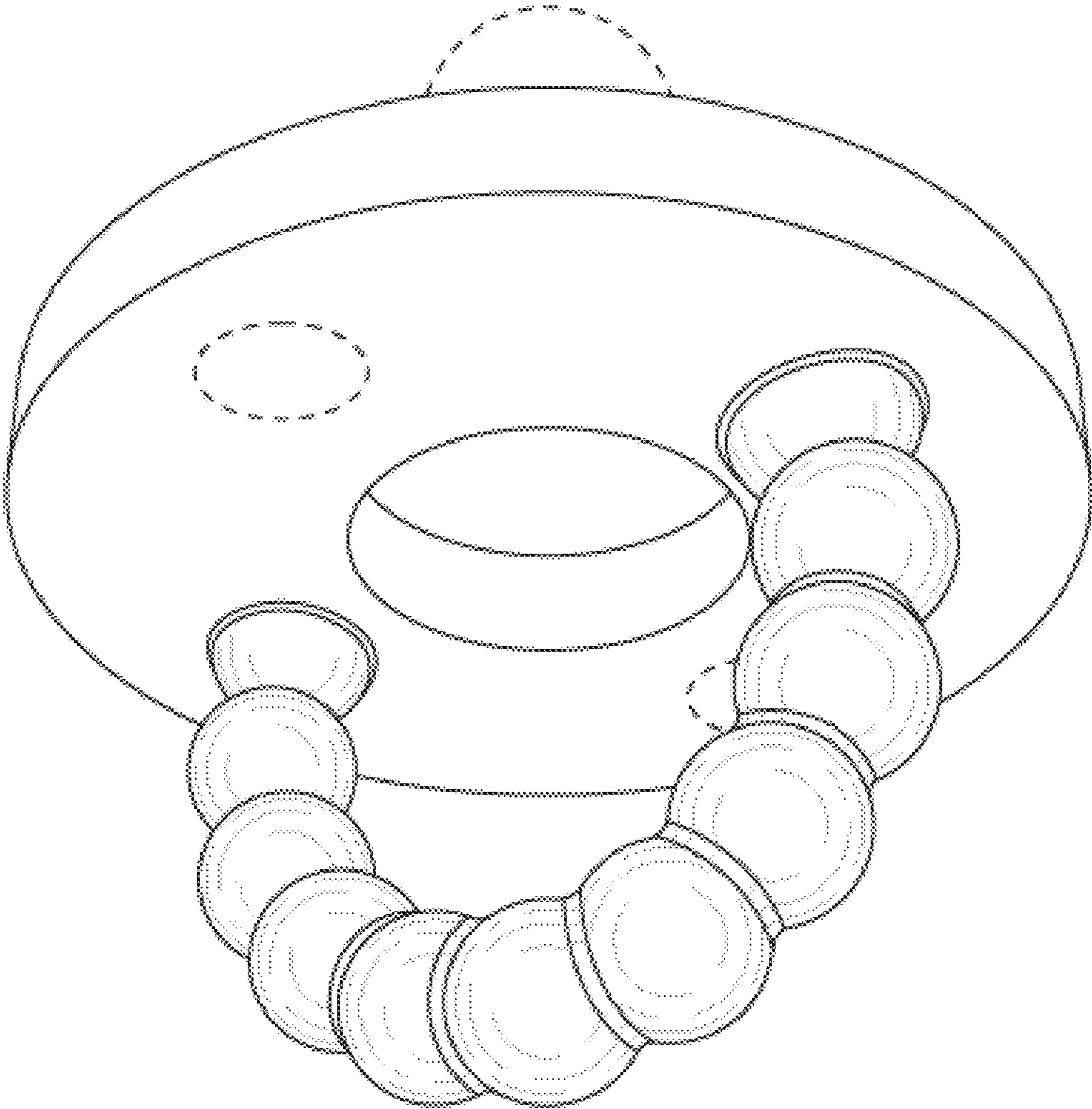


FIG. 1

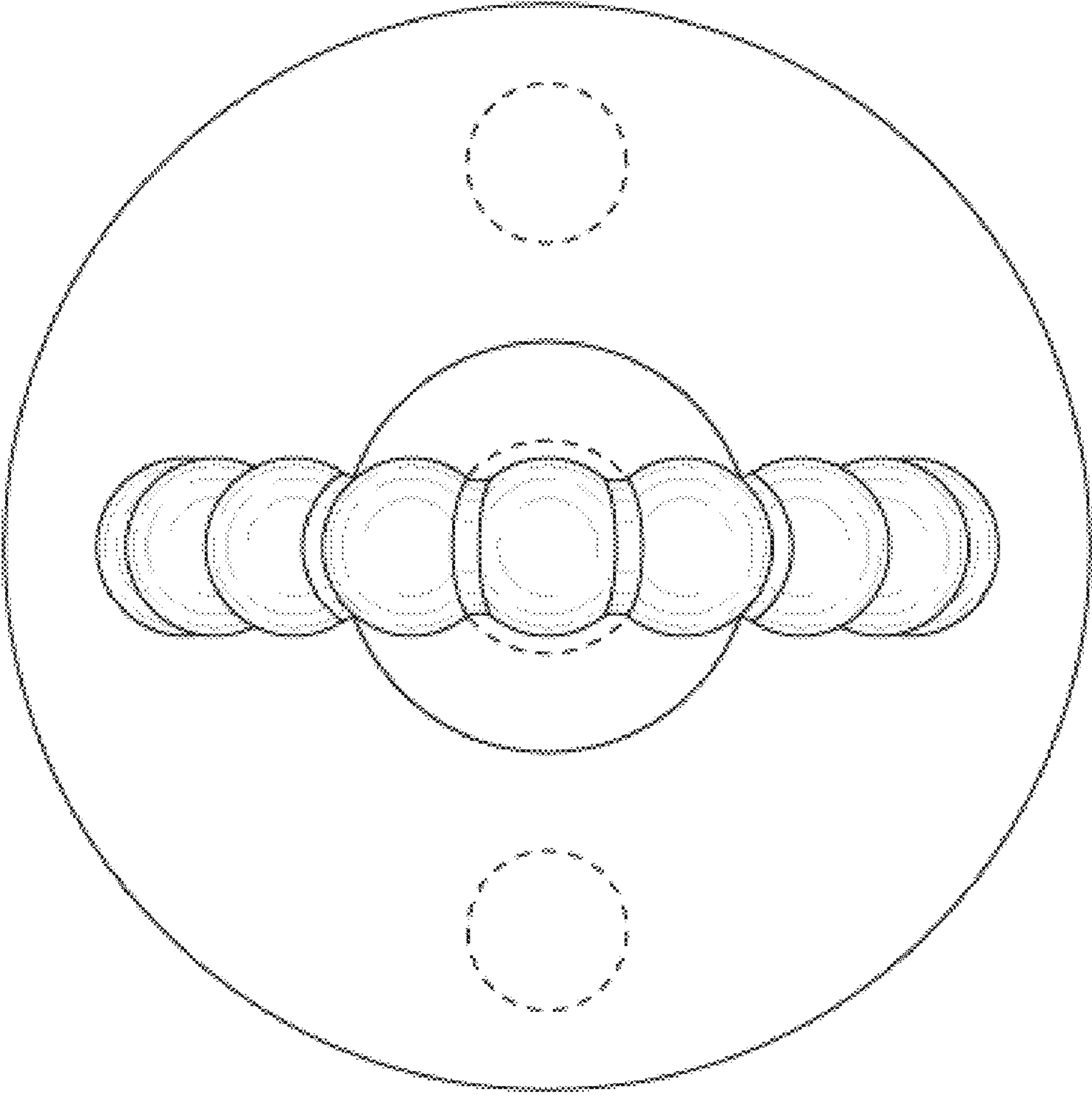


FIG. 2



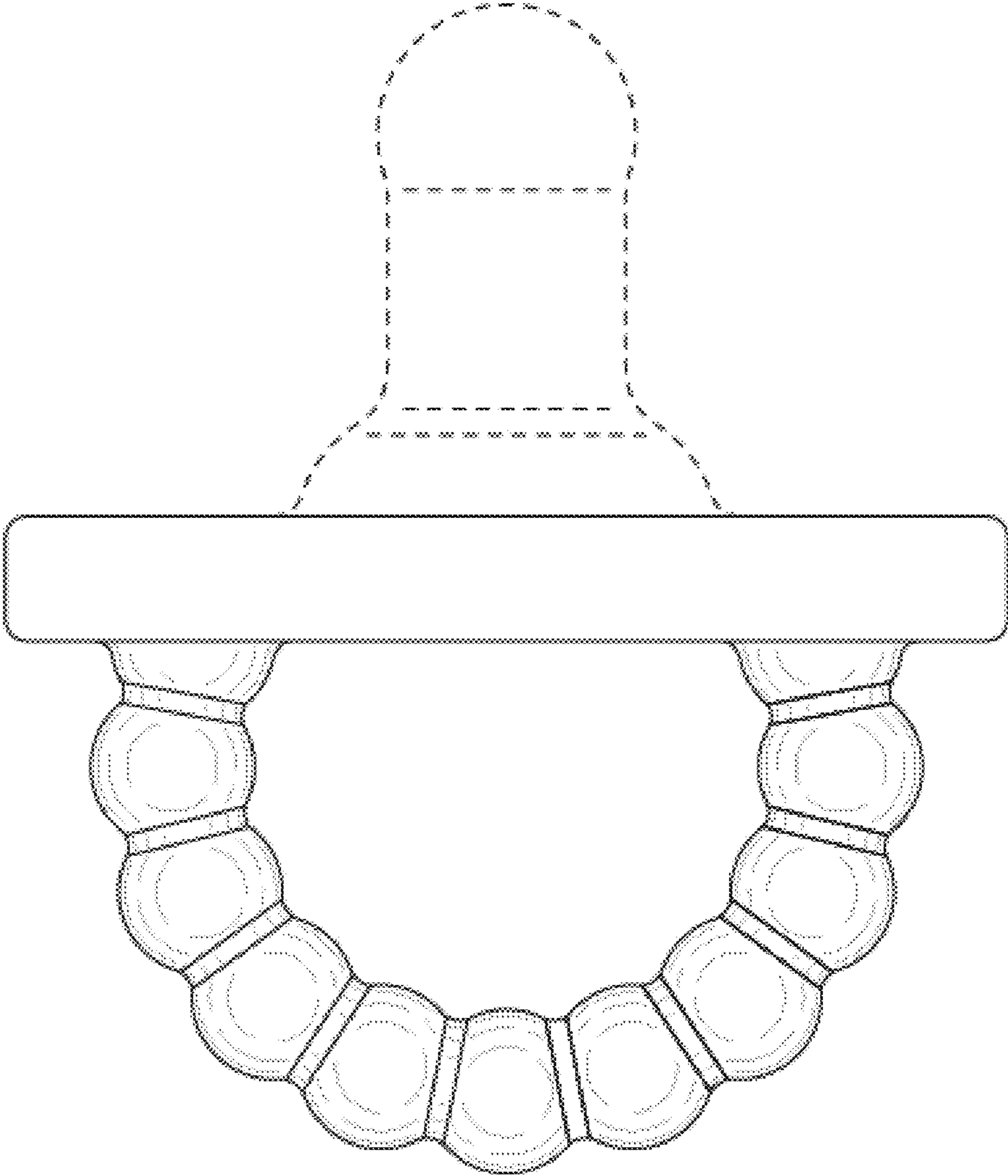


FIG. 3

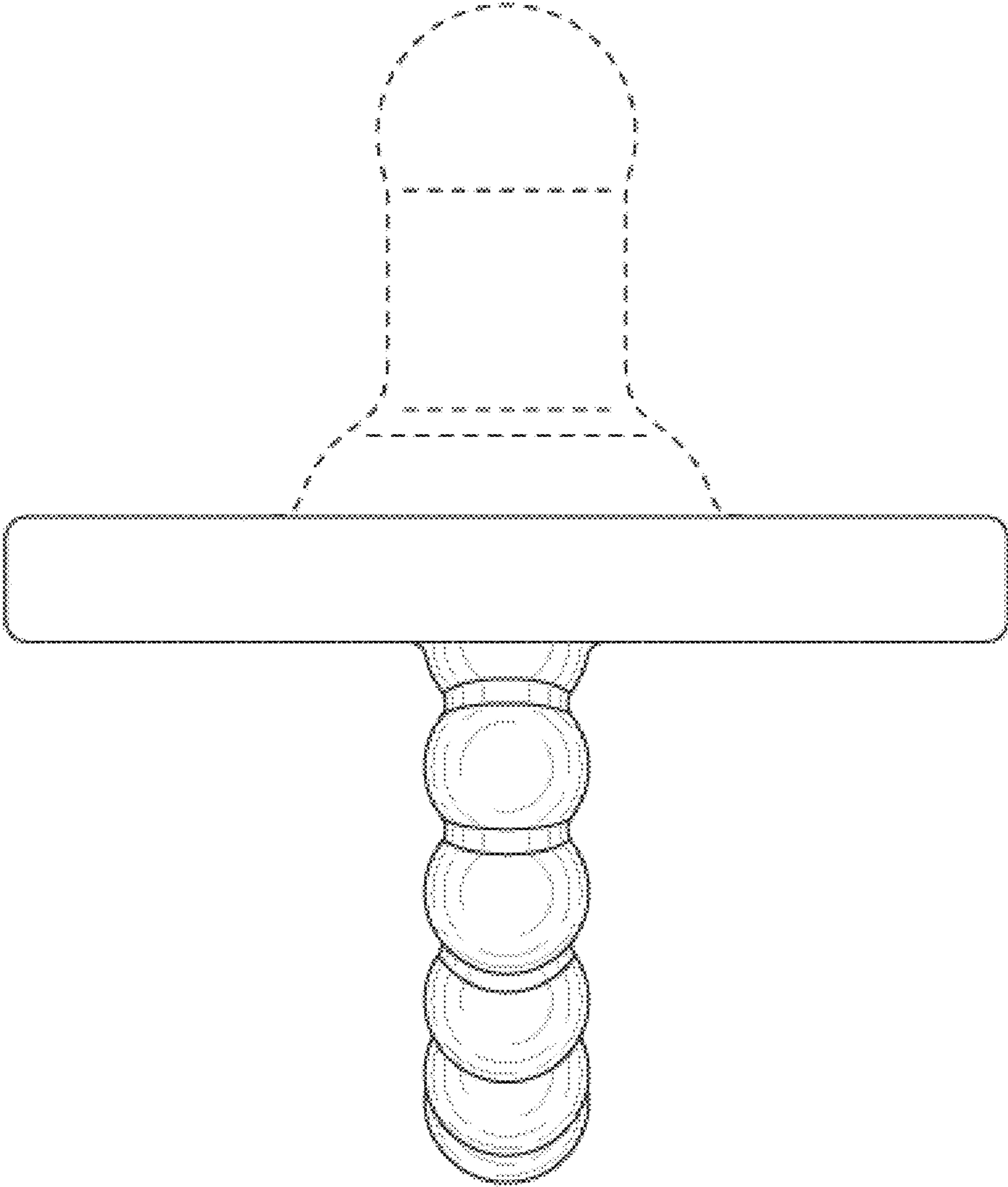


FIG. 4