



US00D887013S

(12) **United States Design Patent** (10) **Patent No.:** **US D887,013 S**
Son et al. (45) **Date of Patent:** **** Jun. 9, 2020**

(54) **WEARABLE WALKING AID APPARATUS**

(71) Applicant: **LG ELECTRONICS INC.**, Seoul (KR)

(72) Inventors: **Jungkyu Son**, Seoul (KR); **Bohyun Nam**, Seoul (KR); **Kyutae Park**, Seoul (KR); **Seonil Yu**, Seoul (KR); **Wonjun Lee**, Seoul (KR)

(73) Assignee: **LG Electronics Inc.**, Seoul (KR)

(**) Term: **15 Years**

(21) Appl. No.: **35/506,605**

(22) Filed: **Jul. 25, 2018**

(80) **Hague Agreement Data**

Int. Filing Date: **Jul. 25, 2018**
Int. Reg. No.: **DM/200048**
Int. Reg. Date: **Jul. 25, 2018**
Int. Reg. Pub. Date: **Feb. 1, 2019**

(30) **Foreign Application Priority Data**

Jan. 25, 2018 (KR) 30-2018-0004224

(51) **LOC (12) Cl.** **24-02**

(52) **U.S. Cl.**
USPC **D24/190**

(58) **Field of Classification Search**
USPC D24/155, 190; D15/199; D21/578, 585, D21/621, 622
CPC A61F 2/60; A61F 2002/607; A61F 2/6607
See application file for complete search history.

(56) **References Cited**

U.S. PATENT DOCUMENTS

D749,227 S * 2/2016 Takama D15/199
D784,547 S * 4/2017 Kwon D24/190

2019/0254914 A1* 8/2019 Nam A61H 3/00
2019/0254915 A1* 8/2019 Nam A61F 5/0102
2019/0262211 A1* 8/2019 Son A61H 1/0244
2019/0274912 A1* 9/2019 Nam A61H 1/0262
2019/0282427 A1* 9/2019 Nam A61G 5/14
2019/0282429 A1* 9/2019 Son A61H 3/00
2019/0283235 A1* 9/2019 Nam A61H 3/00
2019/0283236 A1* 9/2019 Nam B25J 9/0006

* cited by examiner

Primary Examiner — Eliza Z Bennett-Hattan

(74) *Attorney, Agent, or Firm* — Birch, Stewart, Kolasch & Birch, LLP

(57) **CLAIM**

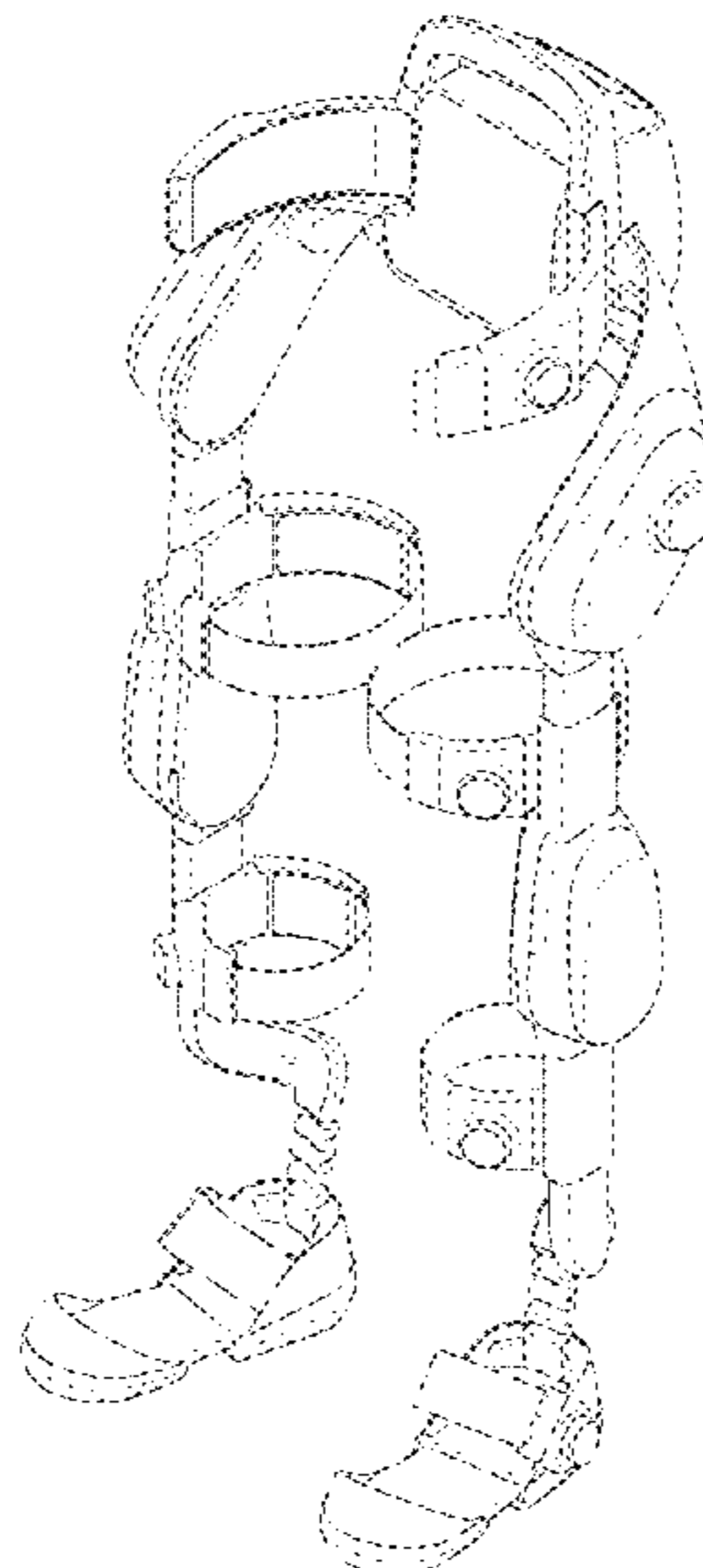
The ornamental design for a wearable walking aid apparatus, as shown and described.

DESCRIPTION

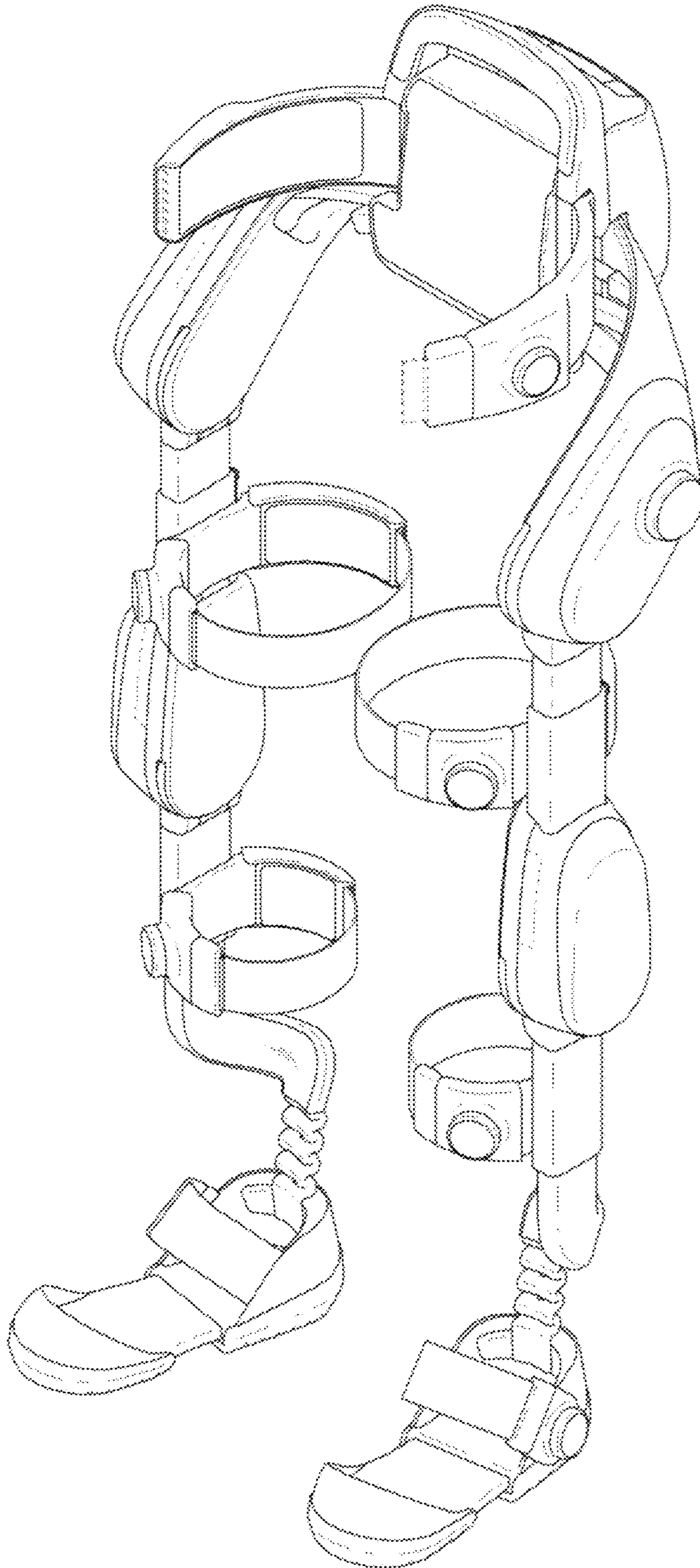
- 1. Wearable walking aid apparatus
- 1.1 is a top perspective view of a wearable walking aid apparatus;
- 1.2 is a front view thereof;
- 1.3 is a back view thereof;
- 1.4 is a right view thereof;
- 1.5 is a left view thereof;
- 1.6 is a top view thereof;
- 1.7 is a bottom view thereof; and
- 1.8 is a rear perspective view thereof.

The broken lines depict portions of the wearable walking aid apparatus that form no part of the claimed design. Reproductions 1.1 to 1.8 are front perspective, front, back, left, right, top, bottom and back perspective views of the claimed design. This design is for a wearable walking aid apparatus for rehabilitation of human lower body having dial-type belts for fast wearing on the user's waist, thighs, calves and feet.

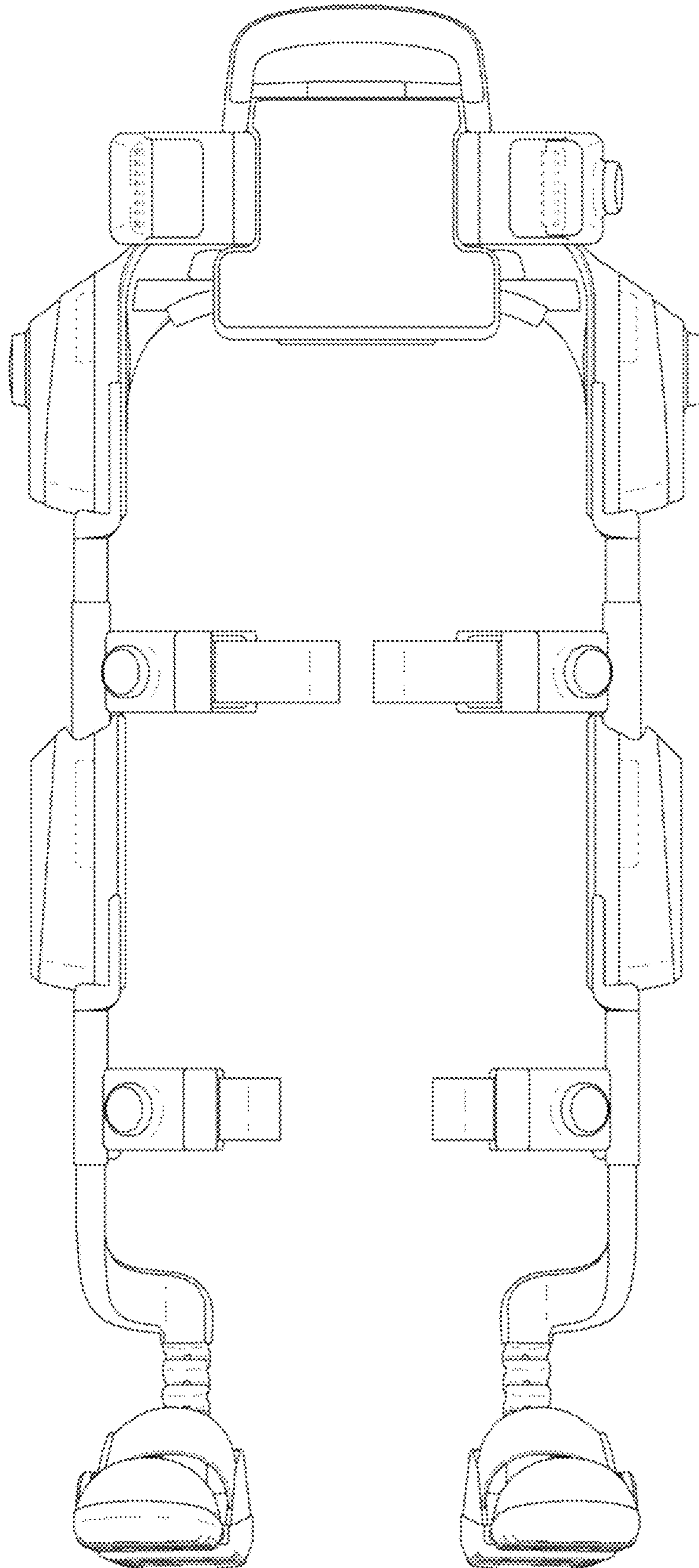
1 Claim, 8 Drawing Sheets



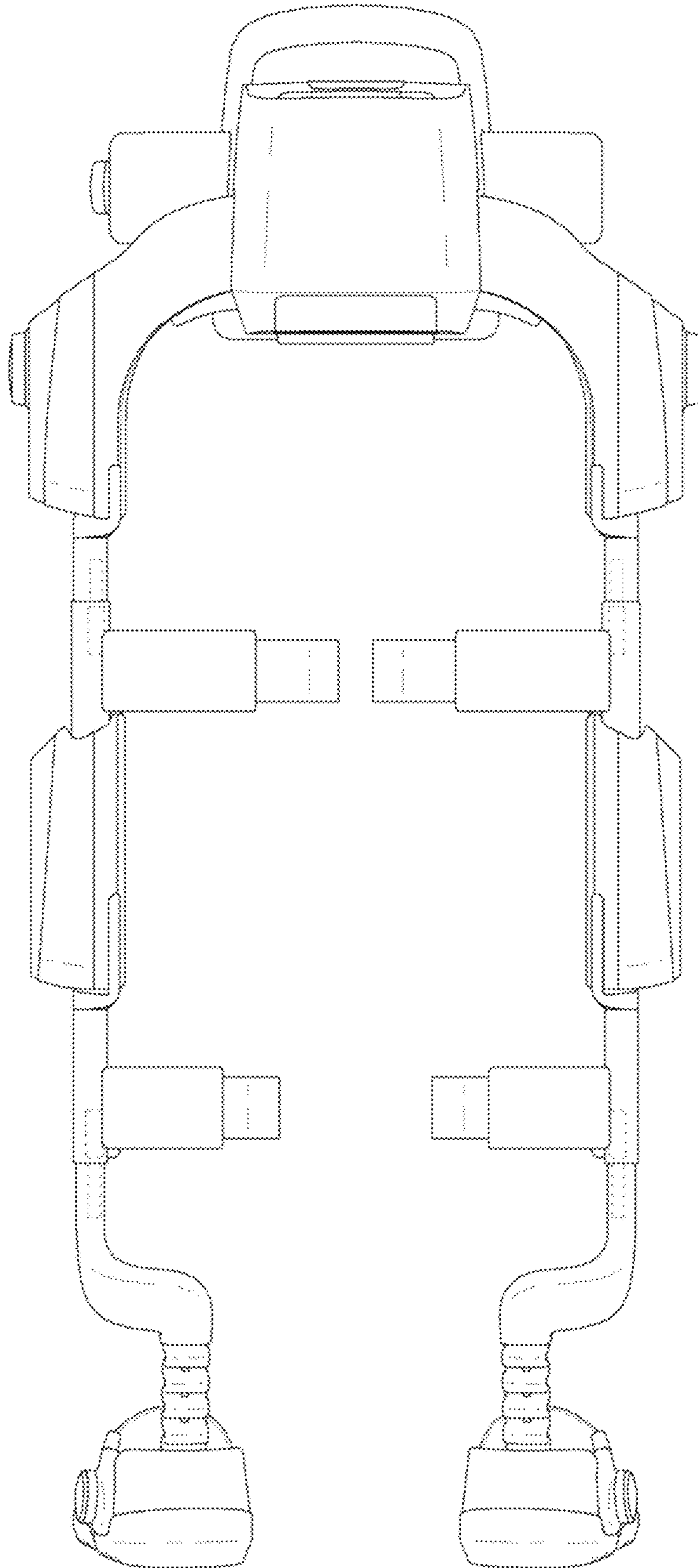
1.1



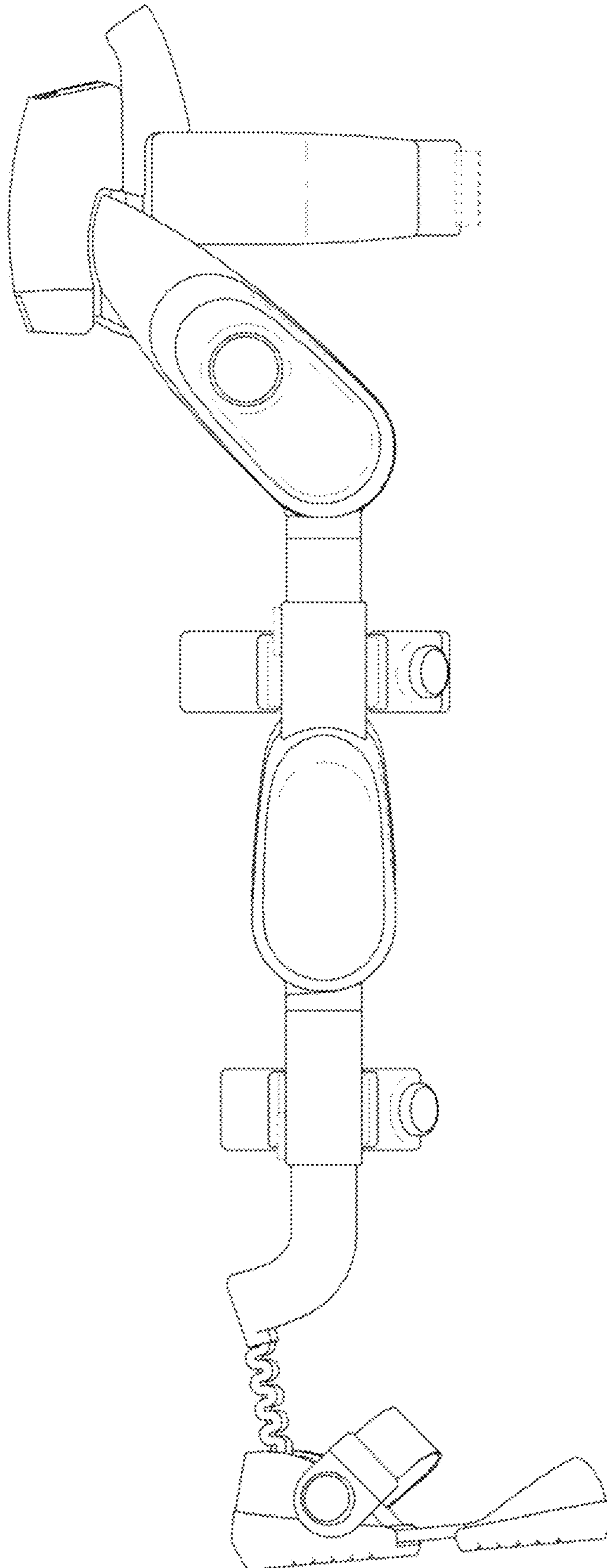
1.2



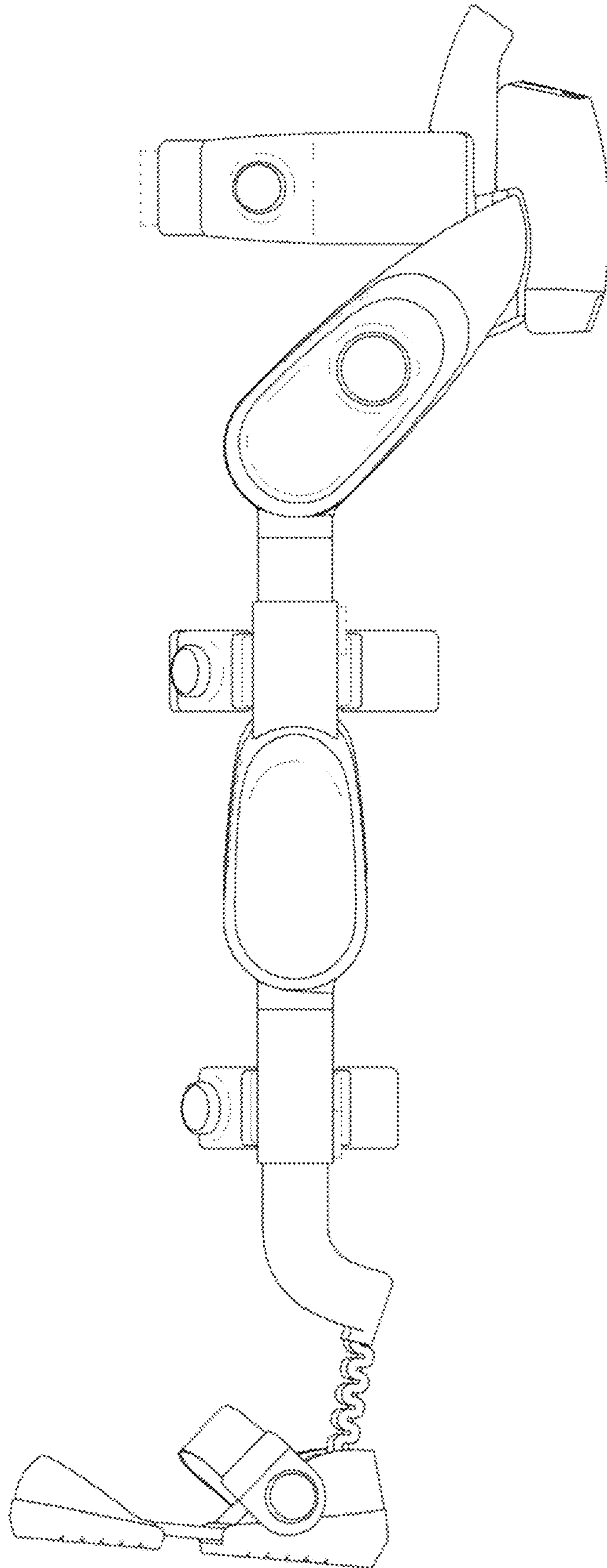
1.3



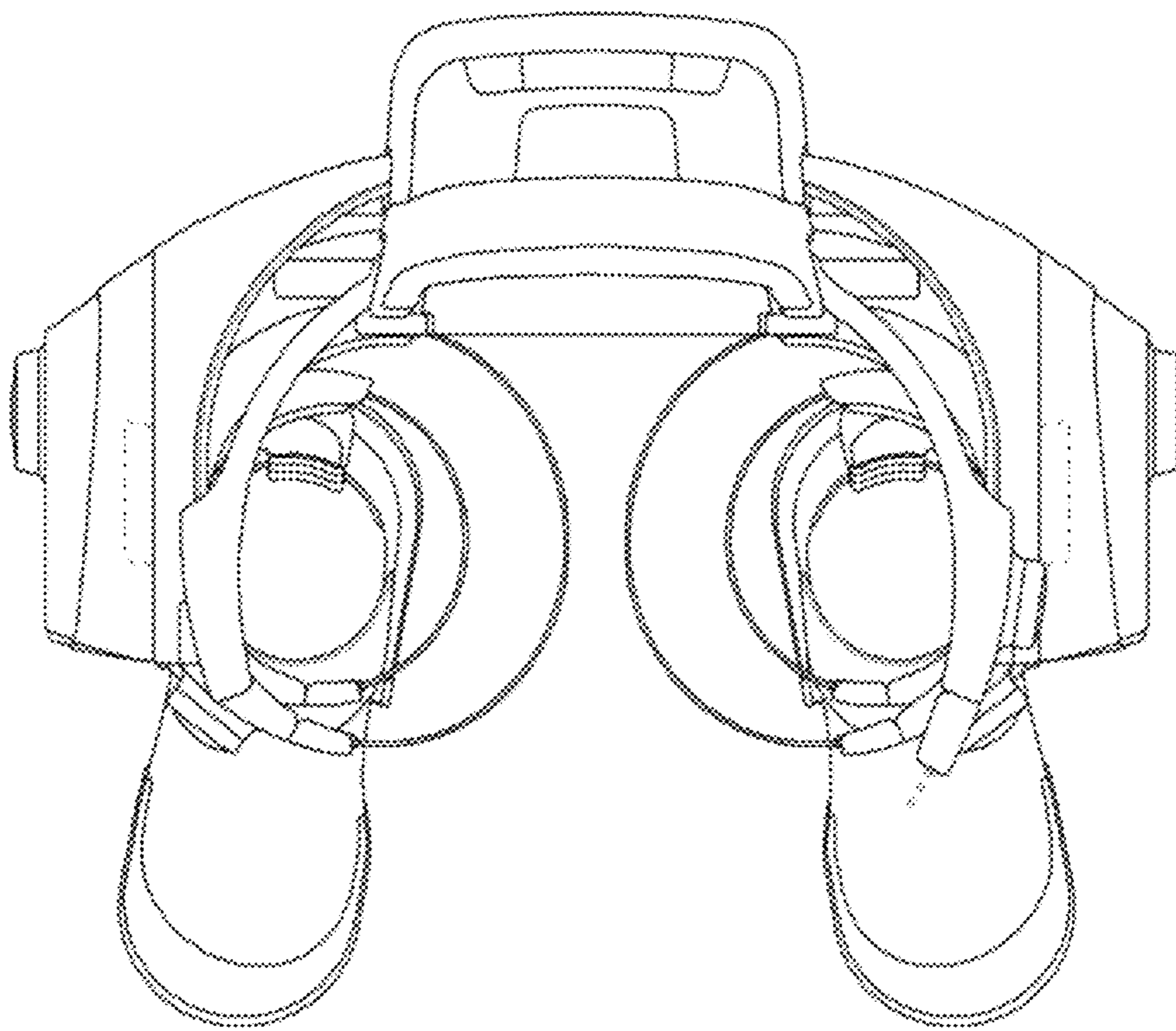
1.4



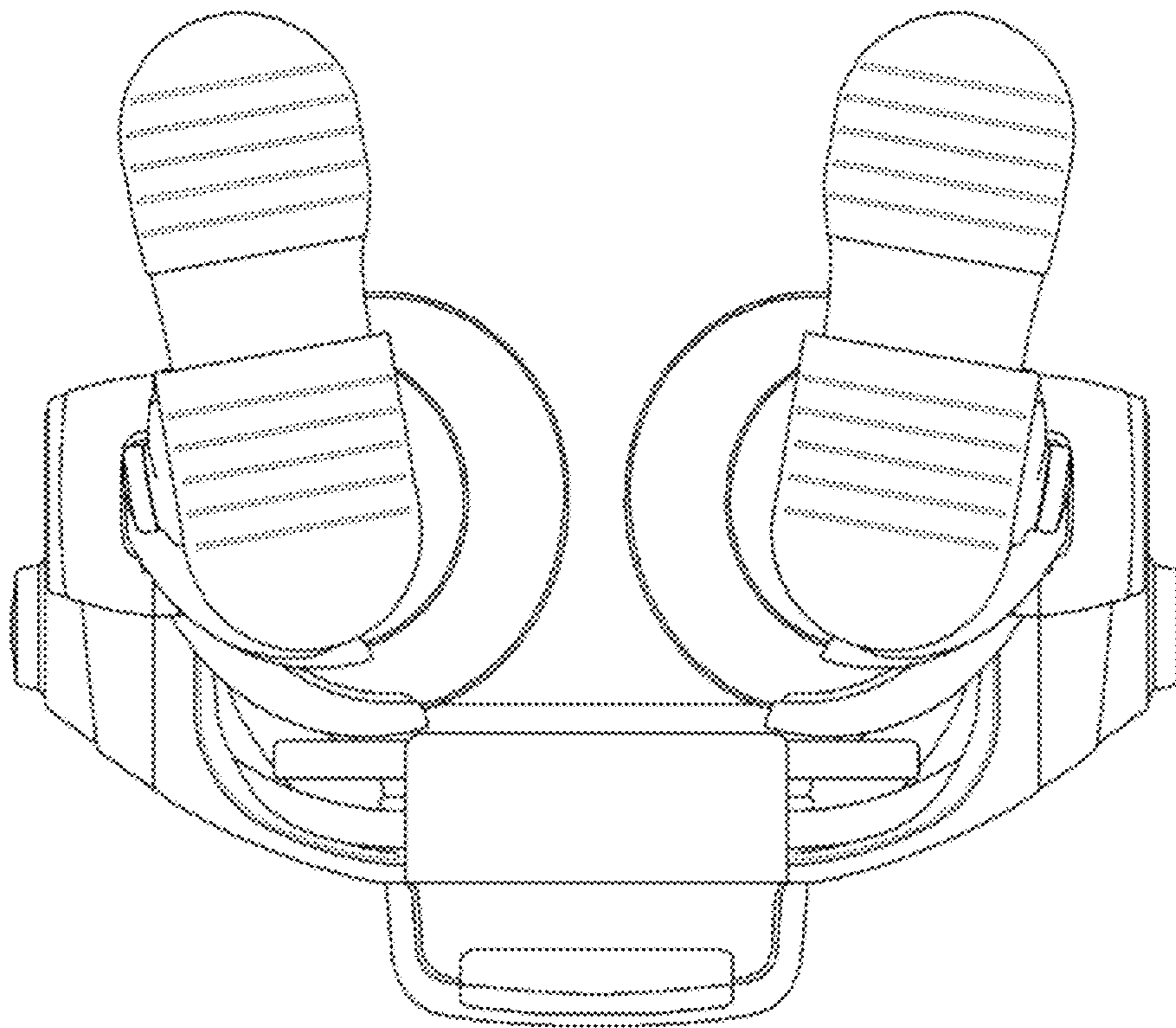
1.5



1.6



1.7



1.8

