



US00D887011S

(12) **United States Design Patent**
Wei

(10) **Patent No.:** **US D887,011 S**

(45) **Date of Patent:** **** Jun. 9, 2020**

(54) **NIPPLE SHIELD**

(71) Applicant: **Jufen Wei**, Guilin (CN)

(72) Inventor: **Jufen Wei**, Guilin (CN)

(**) Term: **15 Years**

(21) Appl. No.: **29/717,736**

(22) Filed: **Dec. 19, 2019**

(51) **LOC (12) Cl.** **24-04**

(52) **U.S. Cl.**
USPC **D24/190**

(58) **Field of Classification Search**
USPC D24/193, 194, 195, 196, 197, 198, 199,
D24/109, 188, 189, 190; 215/11.1, 11.2,
215/11.3, 11.4, 11.5, 11.6; 606/236;
D29/100, 101.3
CPC A61J 11/00; A61J 11/0035; A61J 13/00
See application file for complete search history.

(56) **References Cited**

U.S. PATENT DOCUMENTS

2,495,307	A *	1/1950	Abramson	A61F 13/141 128/890
D417,735	S	12/1999	Ford		
D602,596	S *	10/2009	Yamashita	D24/193
D637,726	S *	5/2011	Francis	D24/193
D639,969	S *	6/2011	Pukall	D24/196
D652,146	S	1/2012	Francis		
D735,346	S *	7/2015	Cotton	D24/189
2006/0157065	A1 *	7/2006	Rohrig	A61J 13/00 128/890
2008/0039741	A1 *	2/2008	Shemesh	A61B 5/411 600/584
2011/0065360	A1 *	3/2011	Francis	A61J 13/00 450/81
2012/0165729	A1 *	6/2012	Cudworth	A61M 1/066 604/74
2012/0165730	A1 *	6/2012	McCoy	A61J 13/00 604/76

2014/0008317	A1 *	1/2014	Yang	A61J 13/00 215/11.1
2019/0008727	A1 *	1/2019	Seaward	A61J 13/00
2020/0060940	A1 *	2/2020	Conneely	A41C 3/04

OTHER PUBLICATIONS

“Yiye Nipple Shield”. Found online Mar. 13, 2020 at amazon.com. Reference dated May 26, 2018. Retrieved from https://www.amazon.com/Perfect-Nursing-Inverted-Carrying-Breastfeeding/dp/B07RGG7777/ref=cm_cr_ar_p_d_product_top?ie=UTF8.
“NUK Nipple Shield”. Found online Mar. 13, 2020 at amazon.co.uk. Reference dated Dec. 4, 2006. Retrieved from https://www.amazon.co.uk/NUK-10107034-Nipple-Silicone-sensitive-Including/dp/B00436FAUW/ref=sr_1_19?keywords=nipple%2Bshield&qid=1584136354&sr=8-19&th=1.

(Continued)

Primary Examiner — Kendra Leslie Hamilton

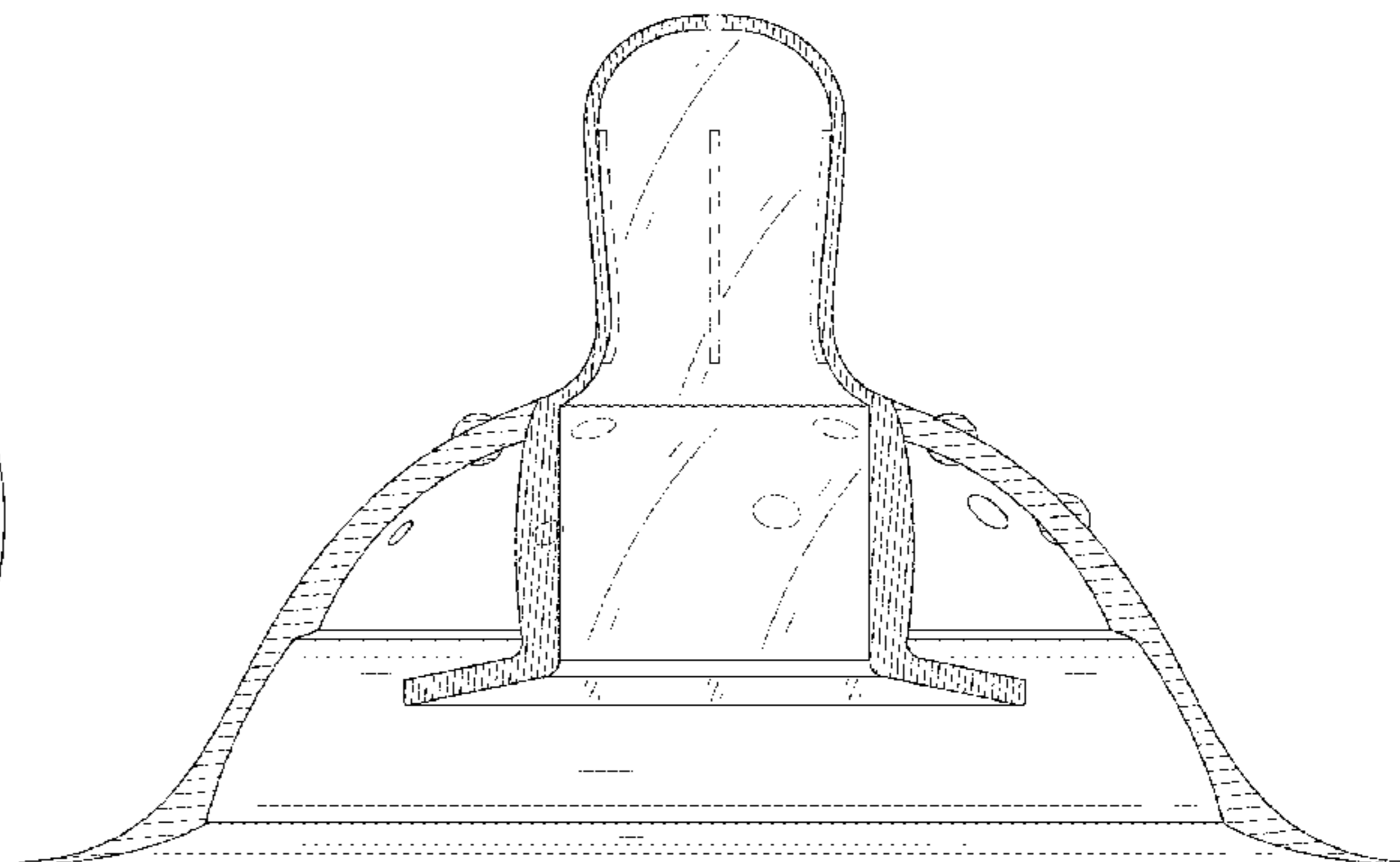
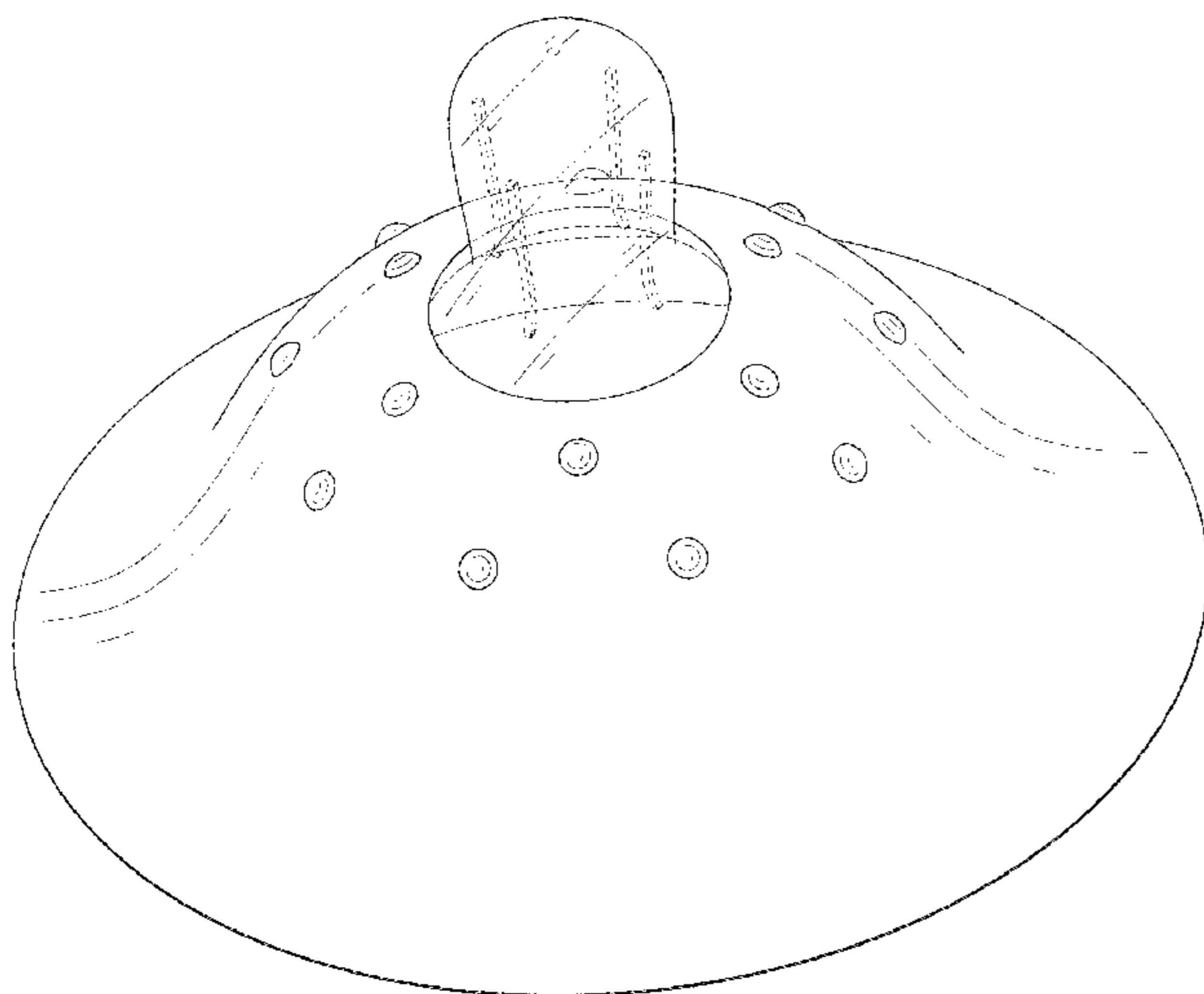
(57) **CLAIM**

The ornamental design for a nipple shield, as shown and described.

DESCRIPTION

FIG. 1 is a top, front, left perspective view of a nipple shield showing my new design;
FIG. 2 is a bottom, rear, right perspective view thereof;
FIG. 3 is a front elevational view thereof;
FIG. 4 is a rear elevational view thereof;
FIG. 5 is a left side elevational view thereof;
FIG. 6 is a right side elevational view thereof;
FIG. 7 is a top plan view thereof;
FIG. 8 is a bottom plan view thereof; and,
FIG. 9 is a cross-sectional elevational view taken in the direction of line 9-9 shown in FIG. 7.
The broken lines in the drawings depict portions of the nipple shield that form no part of the claimed design.

1 Claim, 9 Drawing Sheets



(56)

References Cited

OTHER PUBLICATIONS

“Tomme Tippee Nipple Shields with Sterilizer Case”. Found online Mar. 13, 2020 at amazon.co.uk. Reference dated Jan. 20, 2012. Retrieved from https://www.amazon.co.uk/Tomme-Tippee-Closer-Nature-Breast/dp/B00628EAMS/ref=sr_1_11?keywords=nipple+shield&qid=1584136354&sr=8-11.*

“Evenflo Balance Plus: Wide Neck Nipple”. Found online Feb. 14, 2019 at amazon.com. Reference dated Mar. 9, 2017. Retrieved from https://www.amazon.com/Evenflo-Feeding-Balance-Nipples-Bottles/dp/B01M9CZWWA/ref=cm_cr_arp_d_product_top?ie=UTF8&th=1.*

“Haakaa Silicone Breastfeeding Nipple Shield Nipple Protector”, Retrieved Dec. 16, 2019]. Retrieved from Internet, https://www.ebay.com.au/itm/Haakaa-Silicone-Breastfeeding-Nipple-Shield-Nipple-Protector/223046021585?_trkparms=ispr%3D1&hash=item33ee9431d1:m:m4w-FUc8Rc.

* cited by examiner

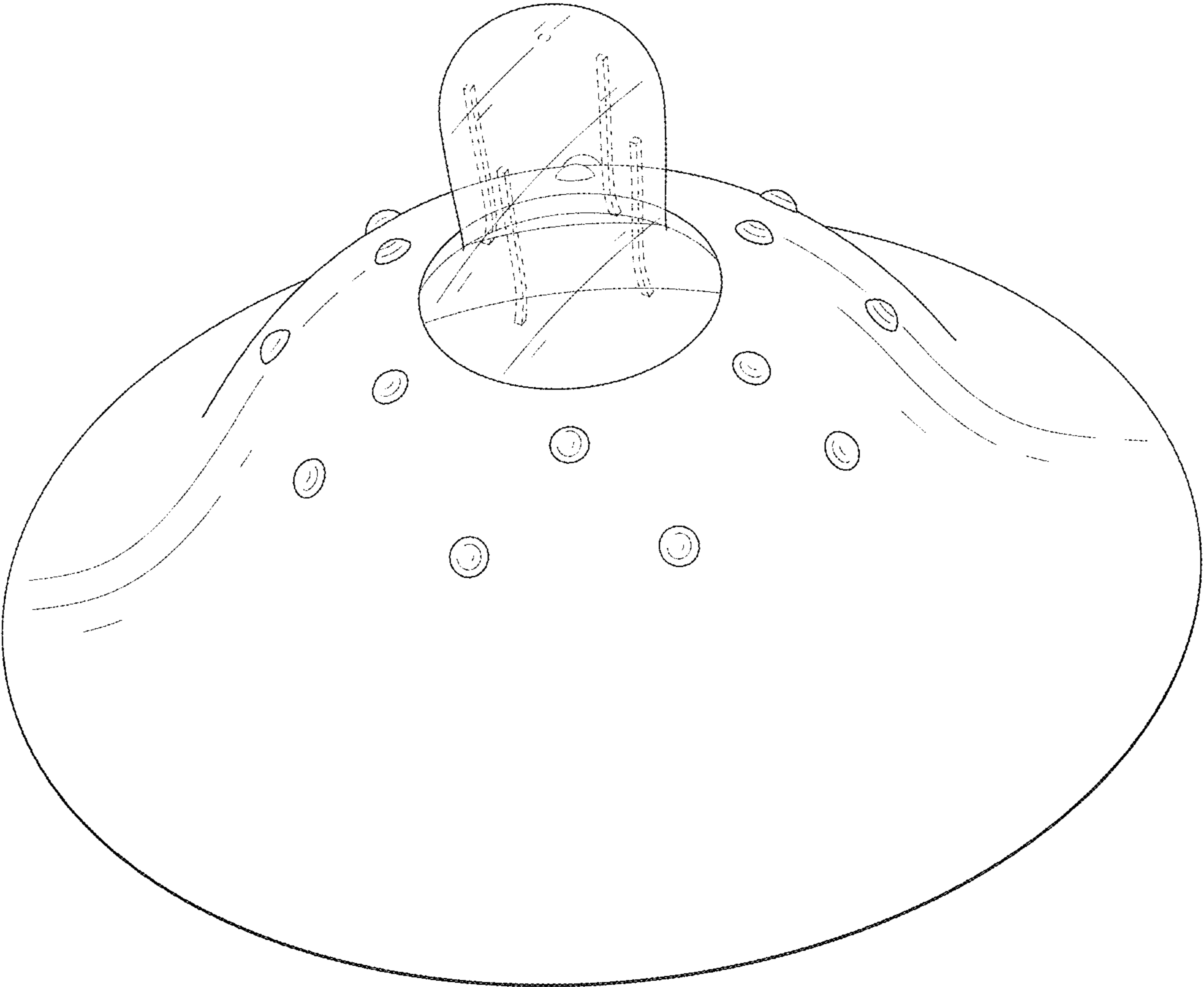


FIG. 1

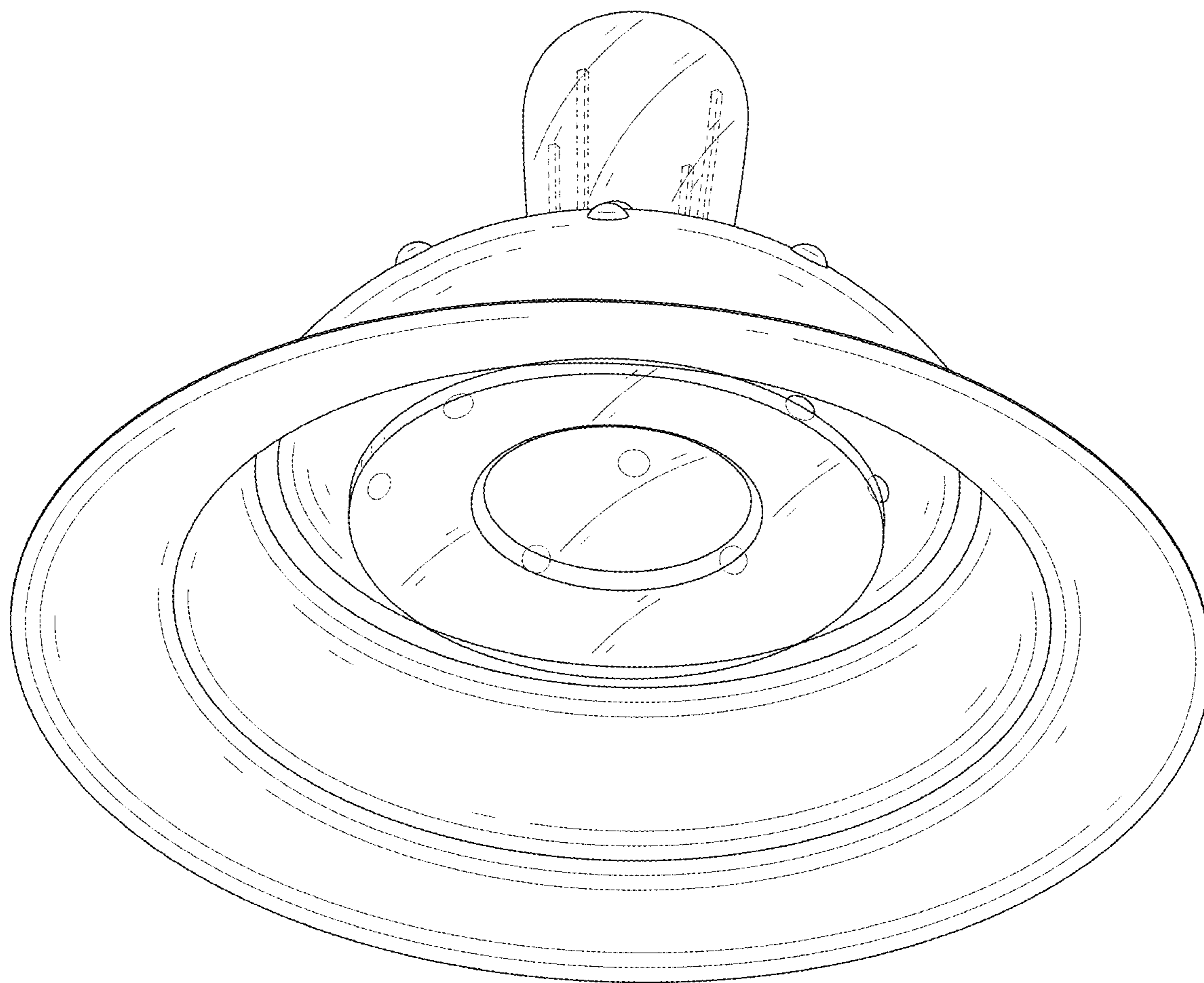


FIG. 2

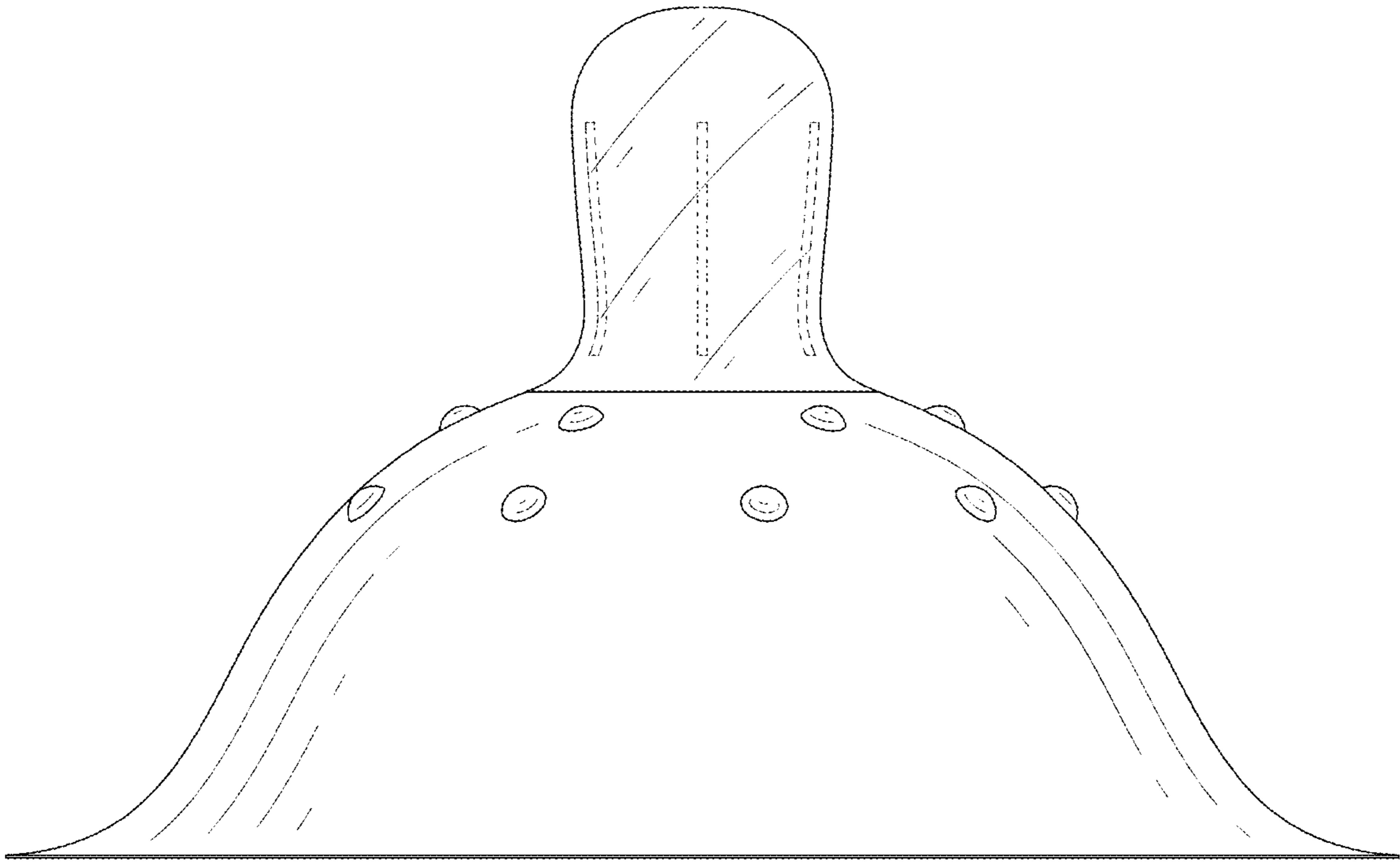


FIG. 3

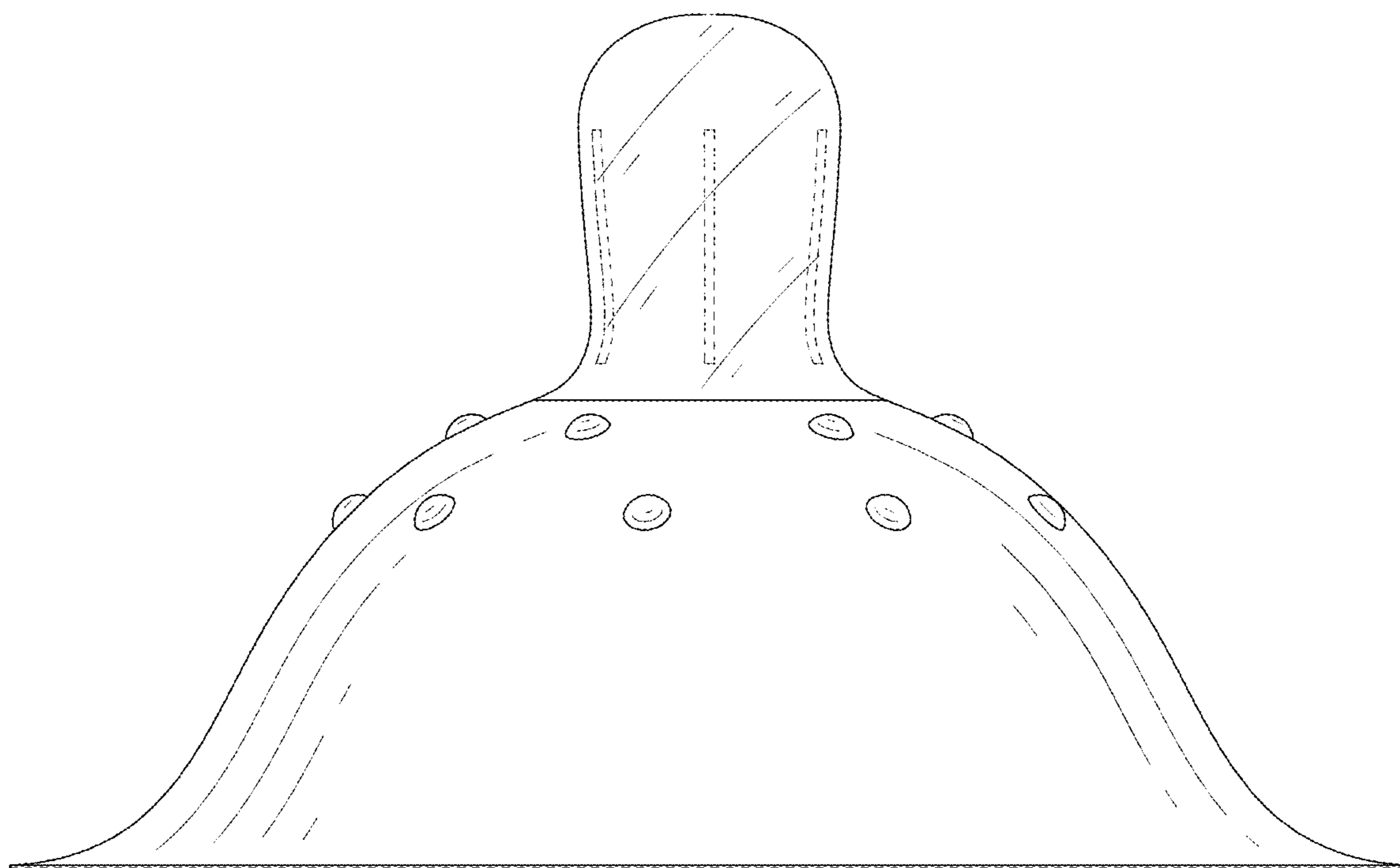


FIG. 4

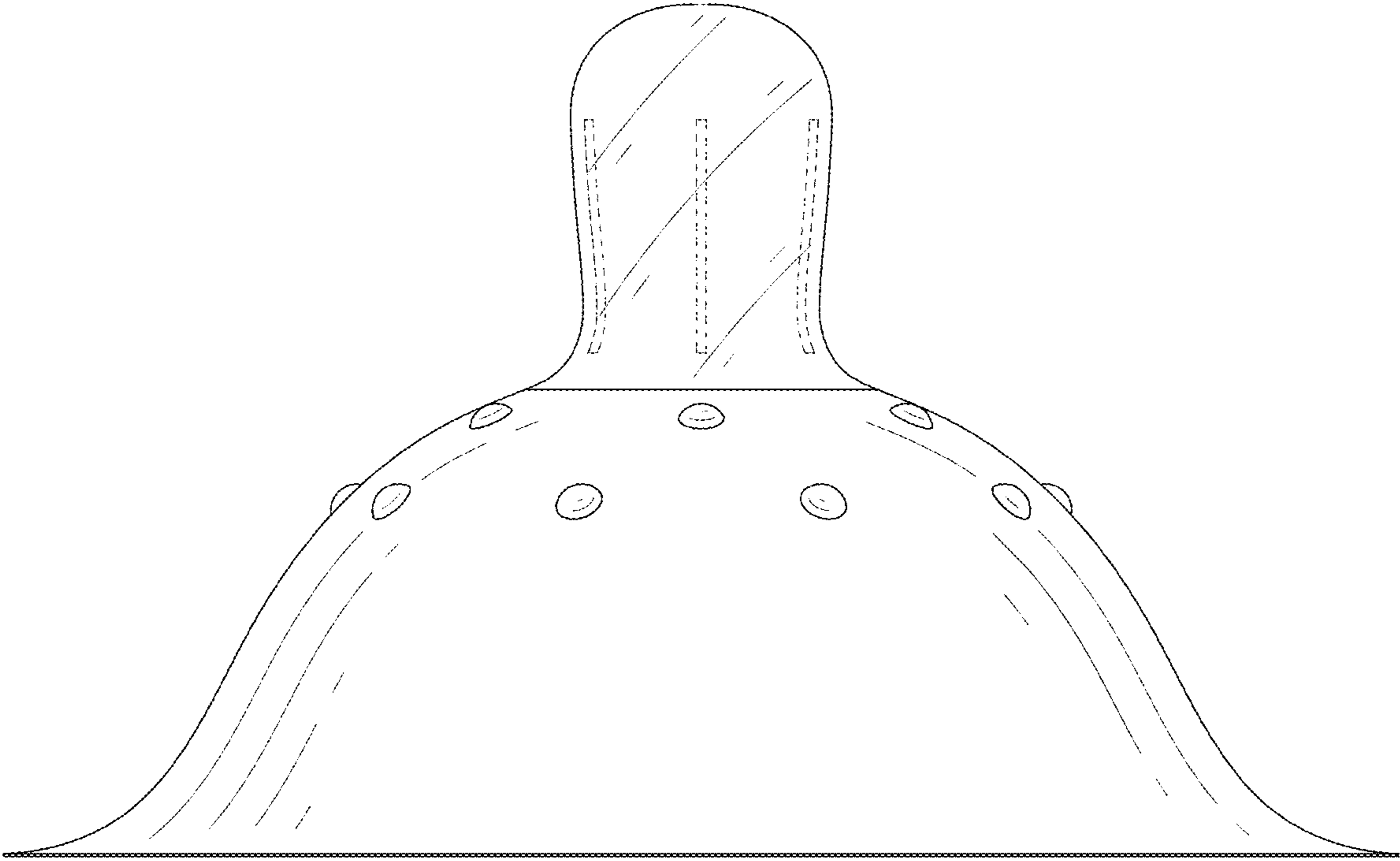


FIG. 5

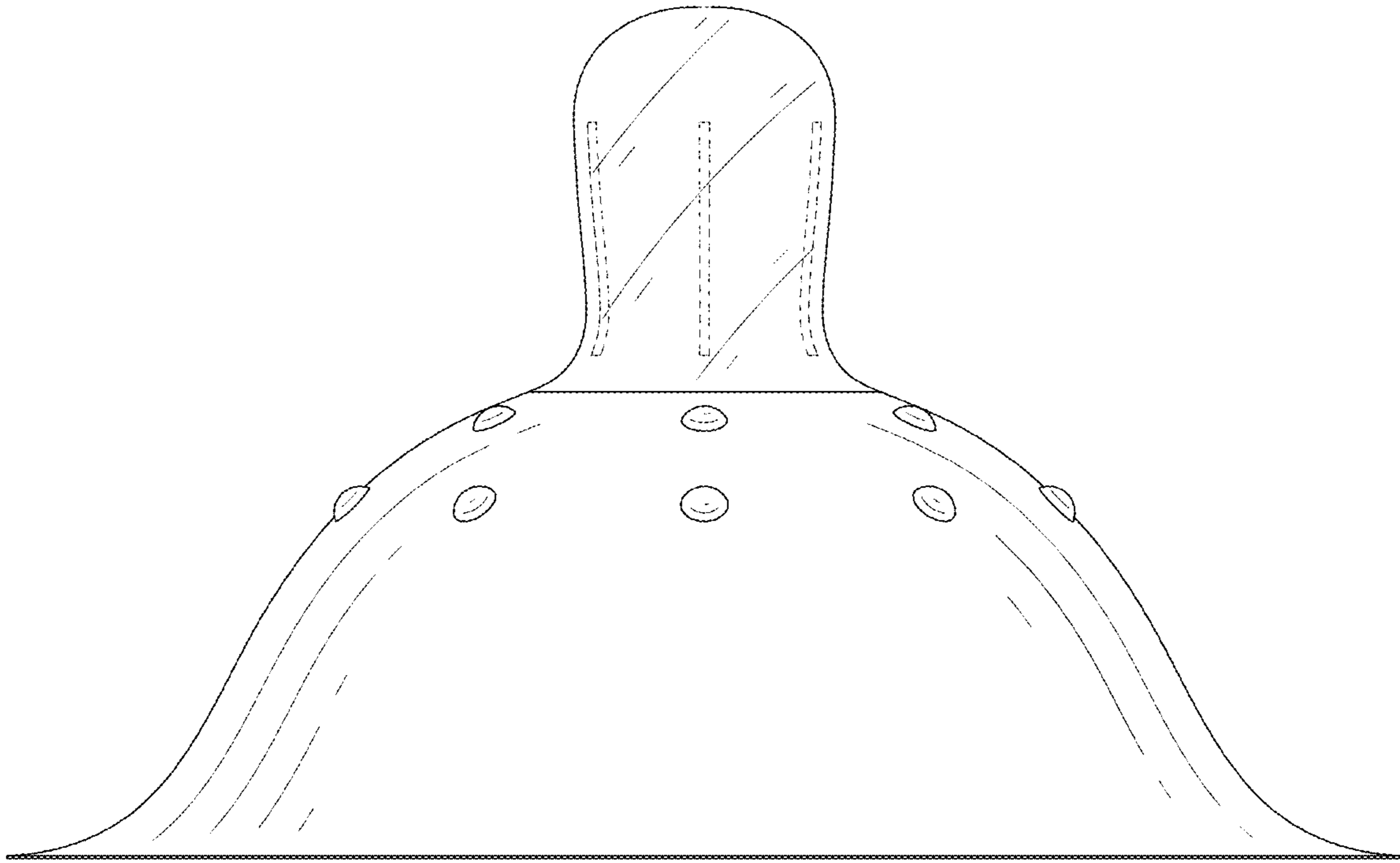


FIG. 6

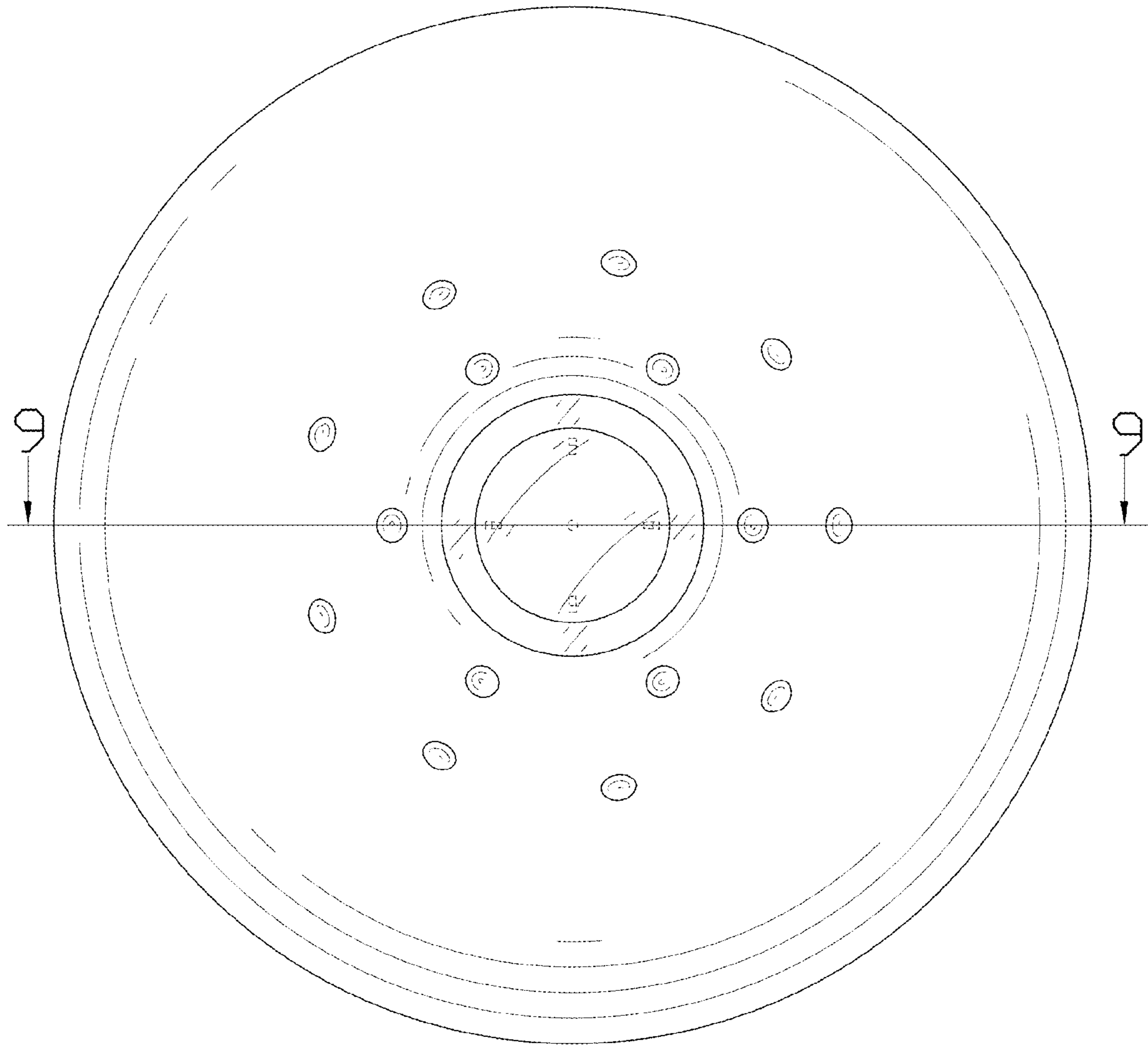


FIG. 7

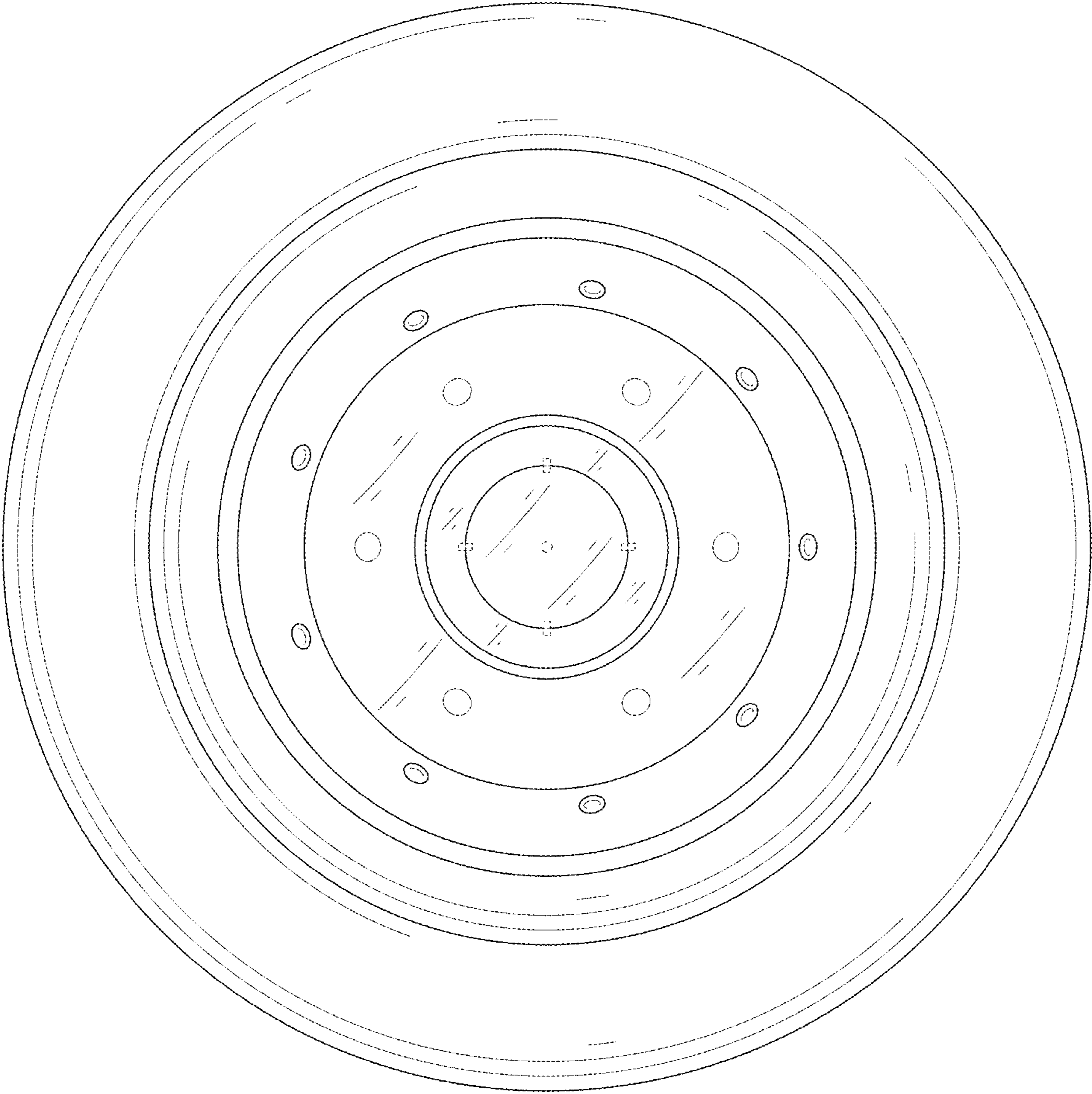


FIG. 8

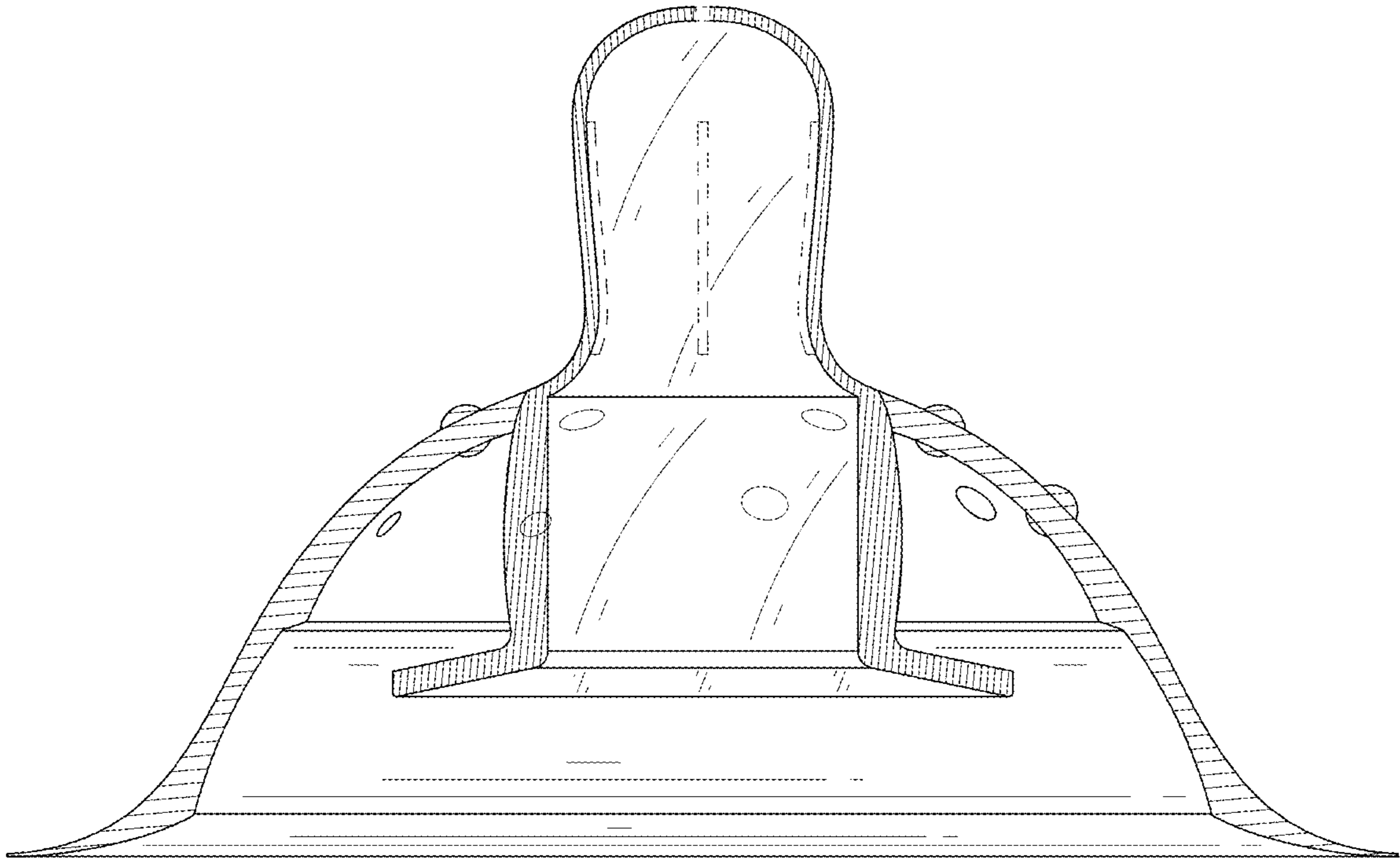


FIG. 9