



US00D887010S

(12) **United States Design Patent**
Smith-Martin

(10) **Patent No.:** **US D887,010 S**

(45) **Date of Patent:** **** *Jun. 9, 2020**

(54) **MAGNETIC THERAPY DEVICE**

FOREIGN PATENT DOCUMENTS

(71) Applicant: **Thal Smith-Martin**, Asbury, NJ (US)

DE 102009010220 9/2010
JP 2006289007 10/2010

(72) Inventor: **Thal Smith-Martin**, Asbury, NJ (US)

OTHER PUBLICATIONS

(*) Notice: This patent is subject to a terminal disclaimer.

Etsy. Natural Red Jasper Thumb Stone Gemstone Palm Worry Fidget Comfort. Jun. 17, 2019. <https://www.etsy.com/listing/648399825/natural-red-jasper-thumb-stone-gemstone> (Year: 2019).*

(**) Term: **15 Years**

* cited by examiner

(21) Appl. No.: **29/647,351**

(22) Filed: **May 11, 2018**

Primary Examiner — Darcey E Gottschalk

(51) **LOC (12) Cl.** **24-04**

(74) *Attorney, Agent, or Firm* — Gearhart Law LLC

(52) **U.S. Cl.**
USPC **D24/188**

(57) **CLAIM**

(58) **Field of Classification Search**
USPC D24/188–192, 200, 206, 214, 215
CPC A61N 1/02
See application file for complete search history.

The ornamental design for a magnetic therapy device, as shown and described.

(56) **References Cited**

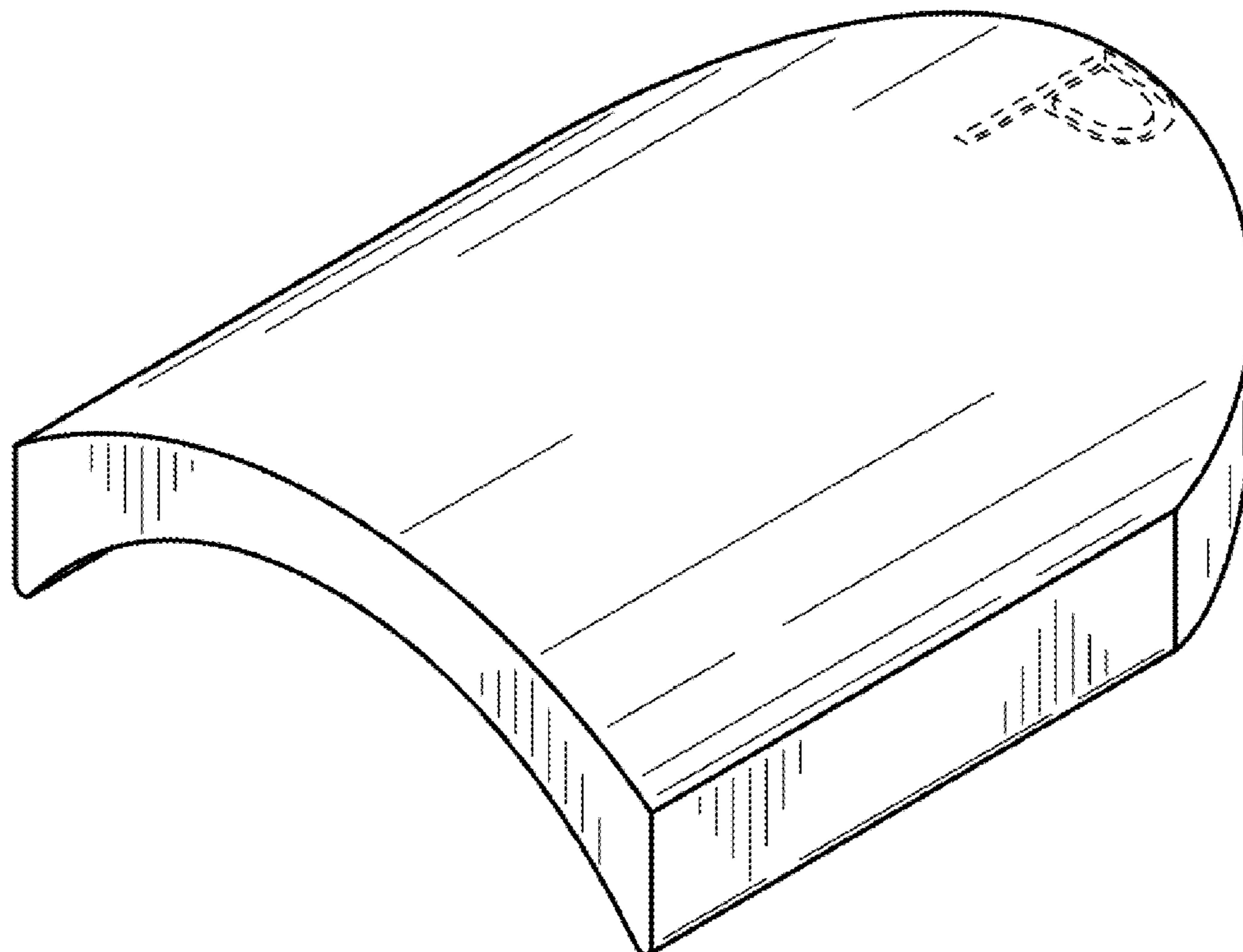
DESCRIPTION

U.S. PATENT DOCUMENTS

D306,921 S *	3/1990	Pettinelli	D2/901
D707,842 S *	6/2014	Li	D24/215
D712,056 S *	8/2014	Deramo	D24/215
D724,746 S *	3/2015	Ruel	D24/190
D824,037 S *	7/2018	Yueh	D24/215
D830,563 S *	10/2018	Kim	D24/200
D830,564 S *	10/2018	Kim	D24/200
D854,175 S *	7/2019	Pryor	D24/192
D857,910 S *	8/2019	Cryan	D24/214
2002/0151759 A1	10/2002	Paturu		
2011/0087337 A1	4/2011	Forsell		

FIG. 1 is a perspective view of the magnetic therapy device. FIG. 2 is a back view thereof. FIG. 3 is a front view thereof. FIG. 4 is a right side view thereof. FIG. 5 is a left side view thereof. FIG. 6 is a top view of thereof; and, FIG. 7 is a bottom view of thereof. The dashed lines shown in the drawings are used to illustrate the environment and form no part of the claimed design.

1 Claim, 2 Drawing Sheets



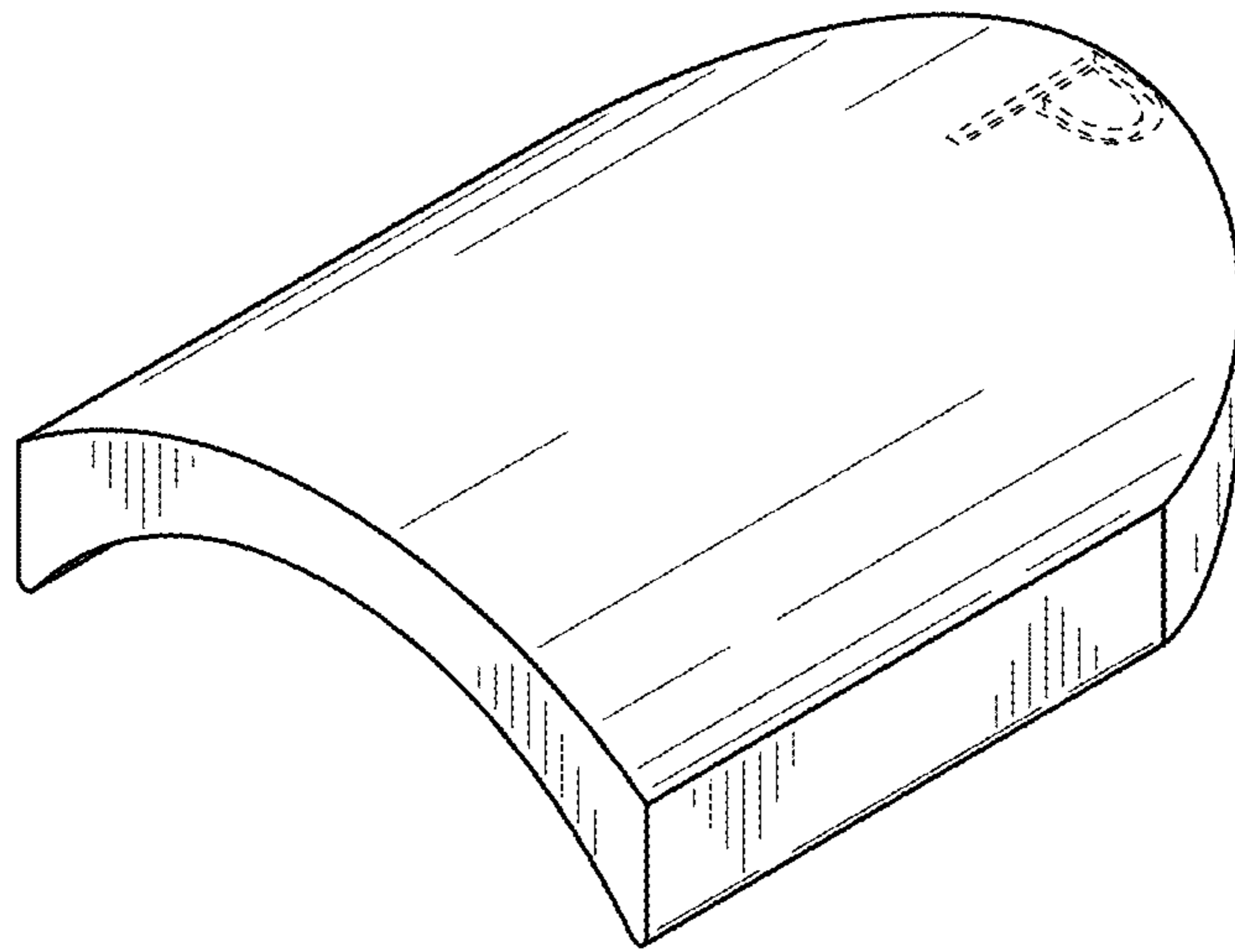


FIG. 1

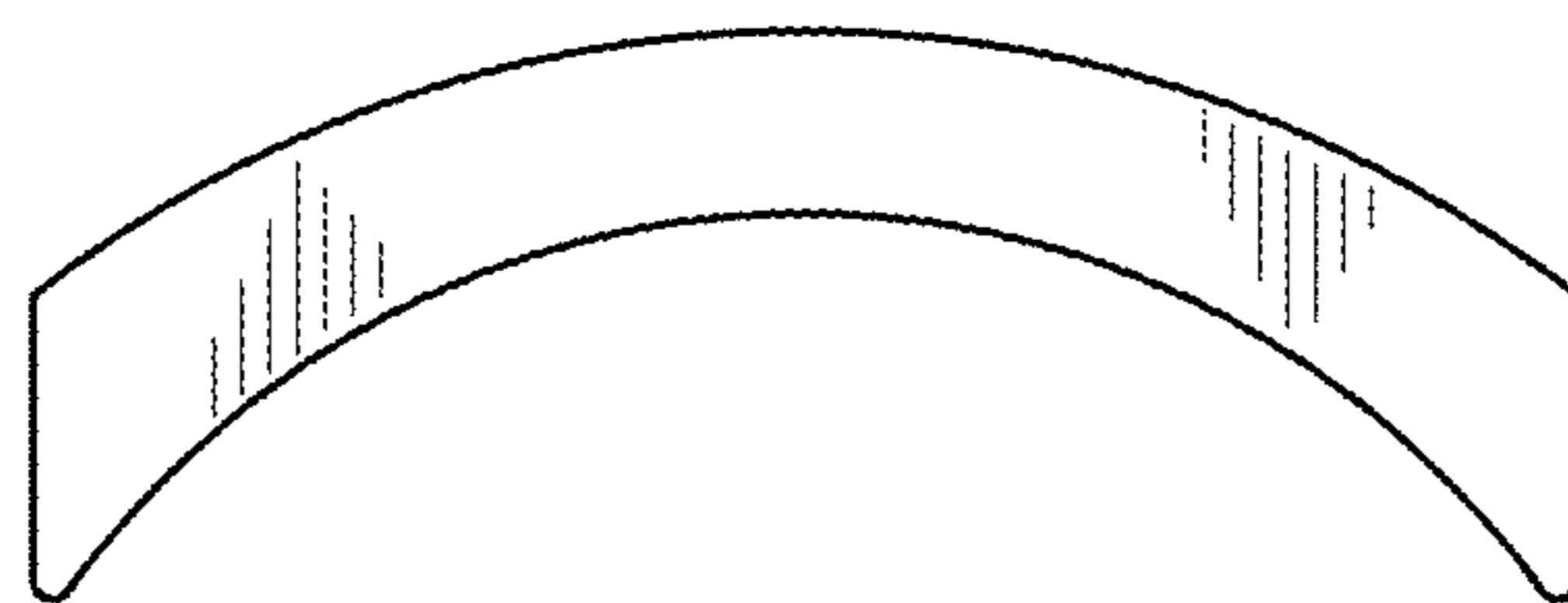


FIG. 2

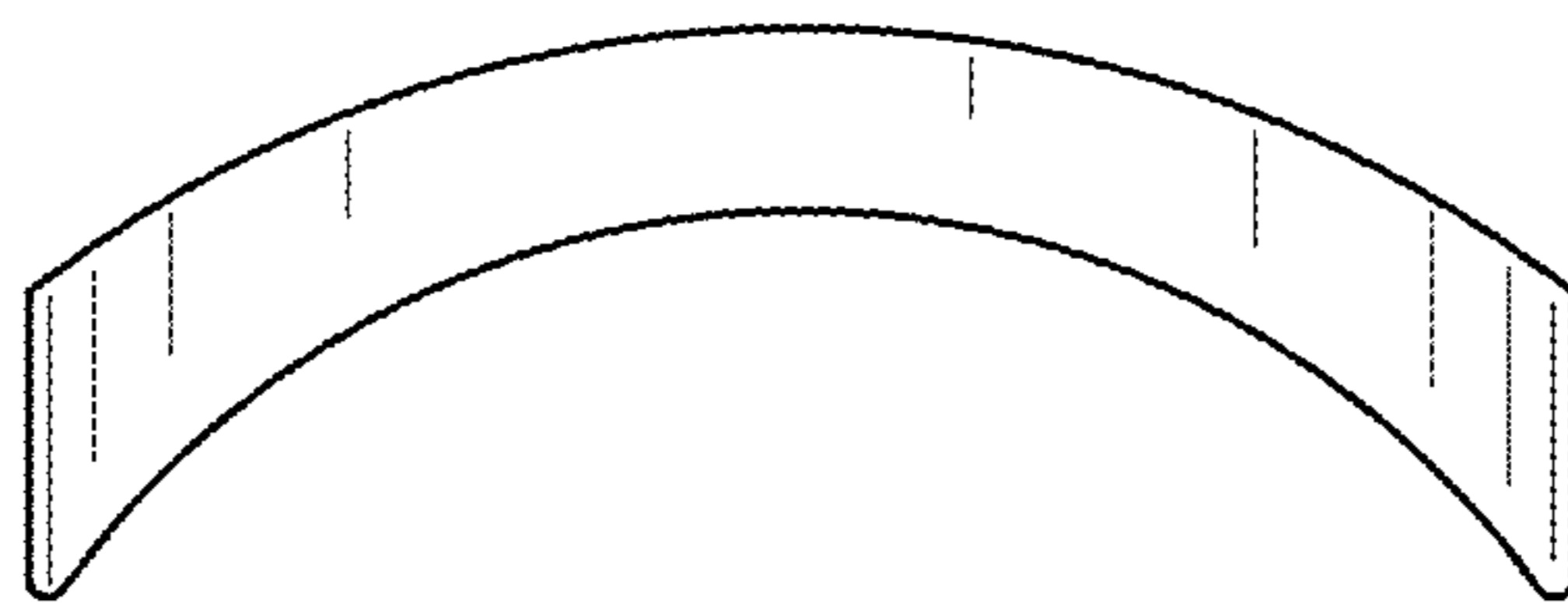


FIG. 3

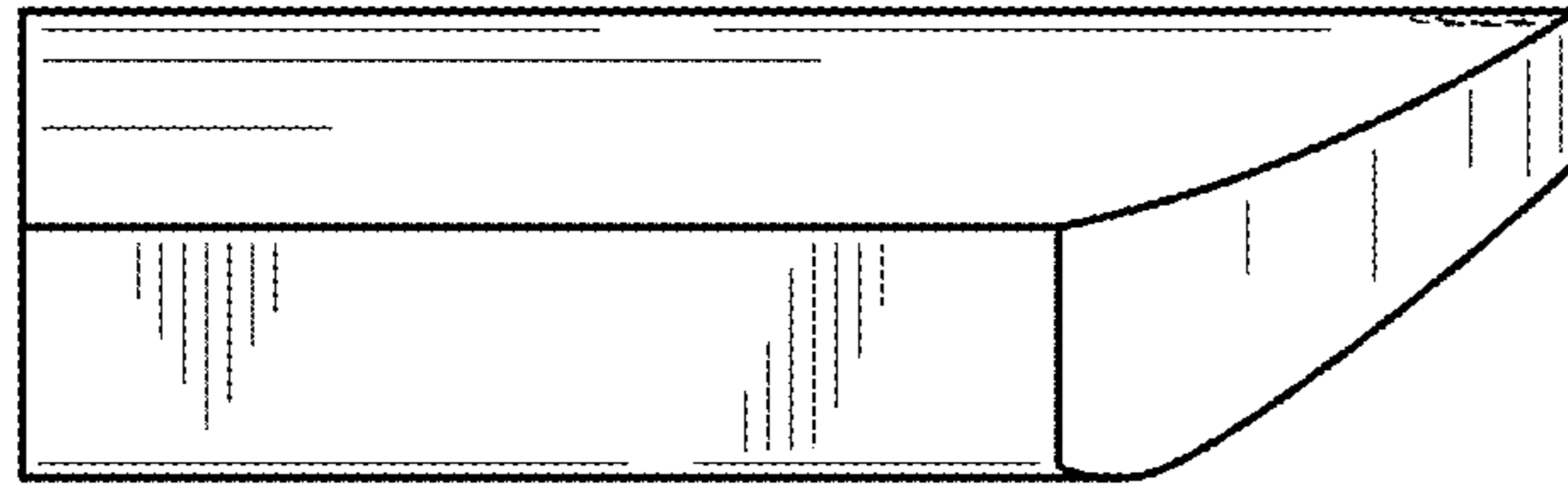


FIG. 4

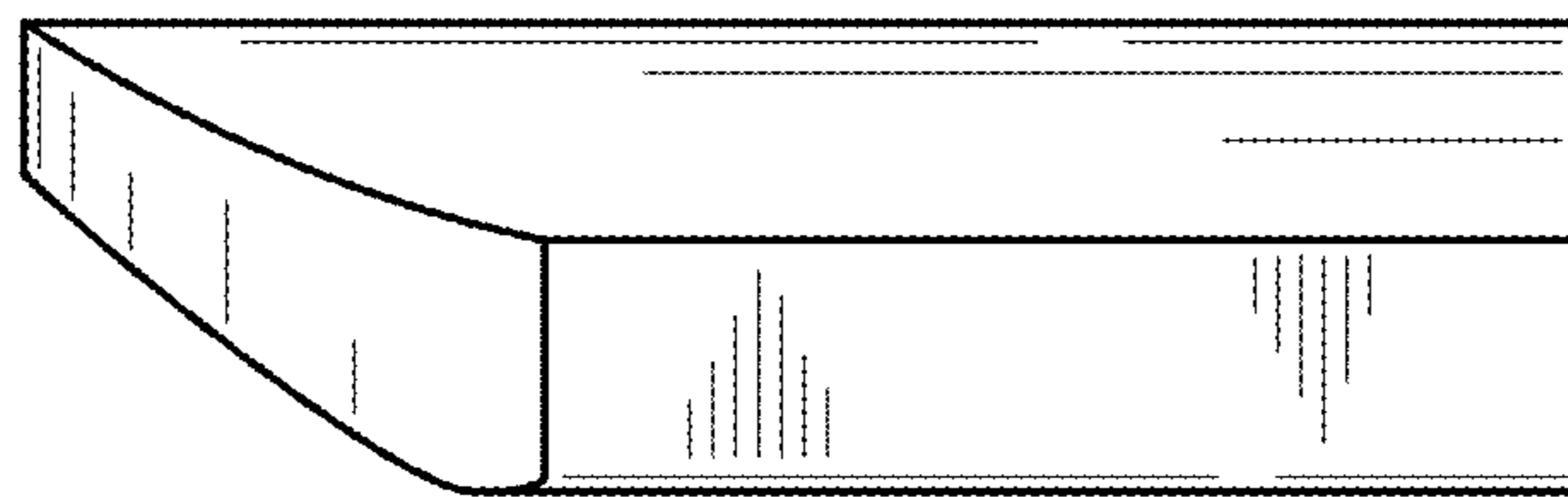


FIG. 5

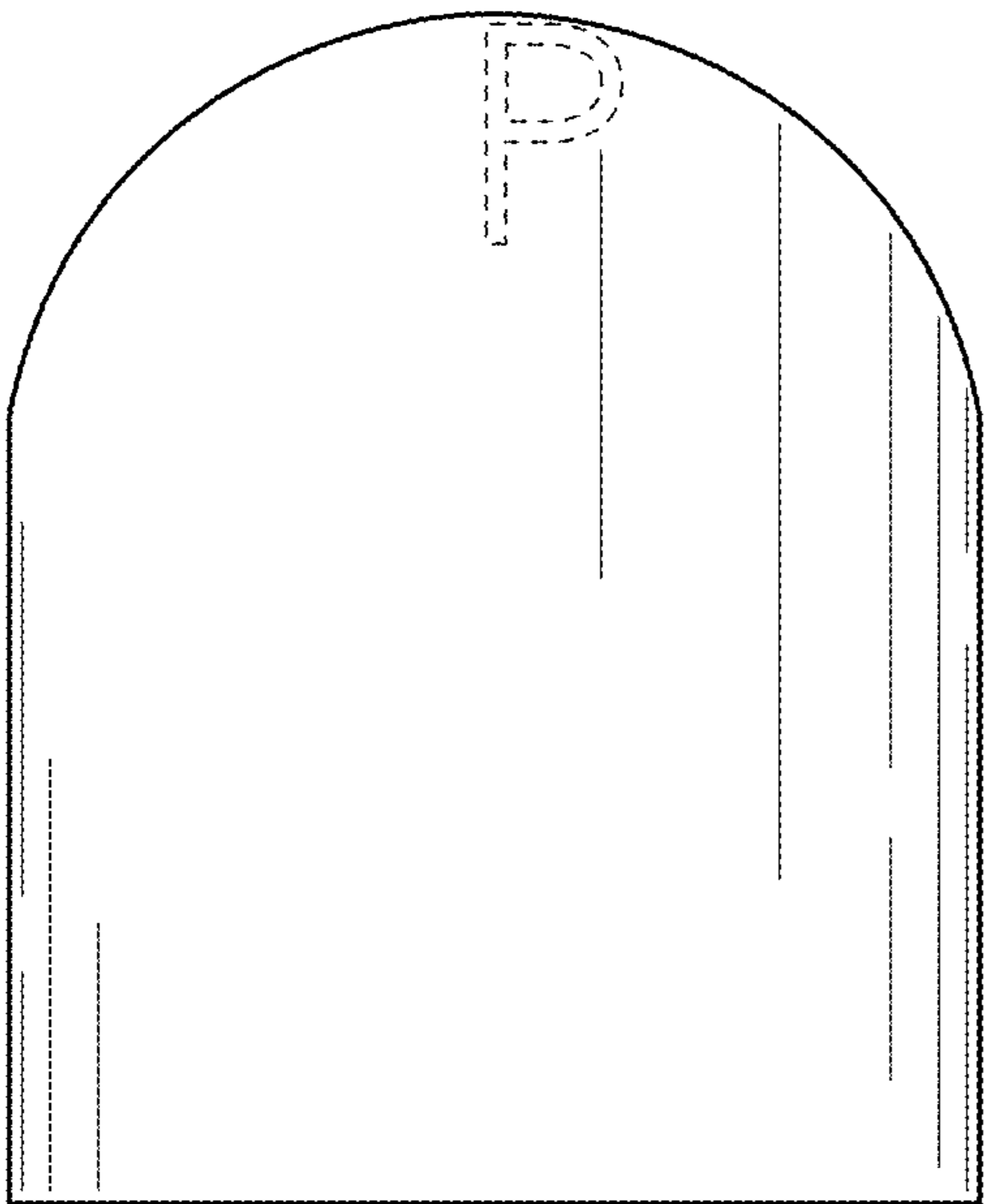


FIG. 6

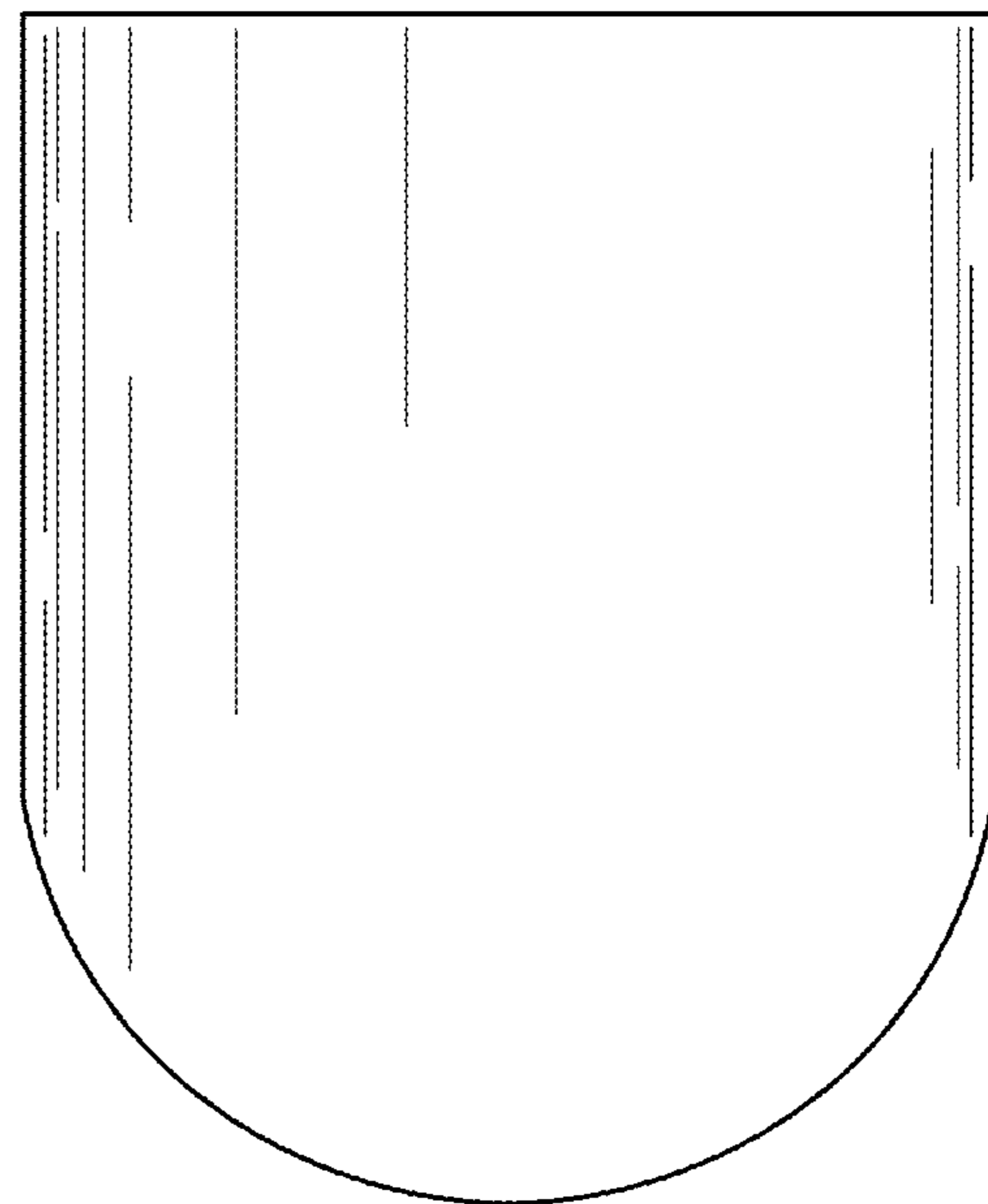


FIG. 7