



US00D887008S

(12) **United States Design Patent**
Hernandez

(10) **Patent No.:** **US D887,008 S**
(45) **Date of Patent:** **** Jun. 9, 2020**

(54) **MEDICAL DEVICE FOR POSITIONING A PATIENT**

(71) Applicant: **Julie Dell'Aquila Hernandez**,
Bradbury, CA (US)

(72) Inventor: **Julie Dell'Aquila Hernandez**,
Bradbury, CA (US)

(**) Term: **15 Years**

(21) Appl. No.: **29/660,059**

(22) Filed: **Aug. 16, 2018**

(51) **LOC (12) Cl.** **24-02**

(52) **U.S. Cl.**
USPC **D24/183**

(58) **Field of Classification Search**
USPC D24/127, 158, 171, 183-184, 200;
D6/335, 349; D21/668, 673, 690
CPC A61H 1/008; A61H 1/024; A63B 23/0494
See application file for complete search history.

(56) **References Cited**

U.S. PATENT DOCUMENTS

D58,946 S *	9/1921	Schott	D6/349
D378,841 S *	4/1997	Huang	D21/668
D455,495 S *	4/2002	Tinsley	A61G 13/12
				D24/183
D535,030 S *	1/2007	Brefka	D24/184
D555,249 S *	11/2007	Roleder	D24/184
D555,794 S *	11/2007	Roleder	D24/184
D633,620 S *	3/2011	Avett	D24/183
D659,250 S *	5/2012	Cottrell	D24/183
D810,304 S *	2/2018	Mattiuazzo	D24/184
2017/0259113 A1 *	9/2017	Chen	A63B 21/4034
2018/0271436 A1 *	9/2018	Malone	A63B 21/068

OTHER PUBLICATIONS

Female Uterus Reproductive System with Kidneys 3D model.
Online, published date Jul. 24, 2019. Retrieved on Sep. 1, 2019

from URL: <https://www.turbosquid.com/3d-models/kidney-female-reproductive-3d-model-1429517>.*

* cited by examiner

Primary Examiner — Susan Bennett Hattan

Assistant Examiner — Omeed Agilee

(74) *Attorney, Agent, or Firm* — Loza & Loza, LLP;
Heidi L. Eisenhut

(57) **CLAIM**

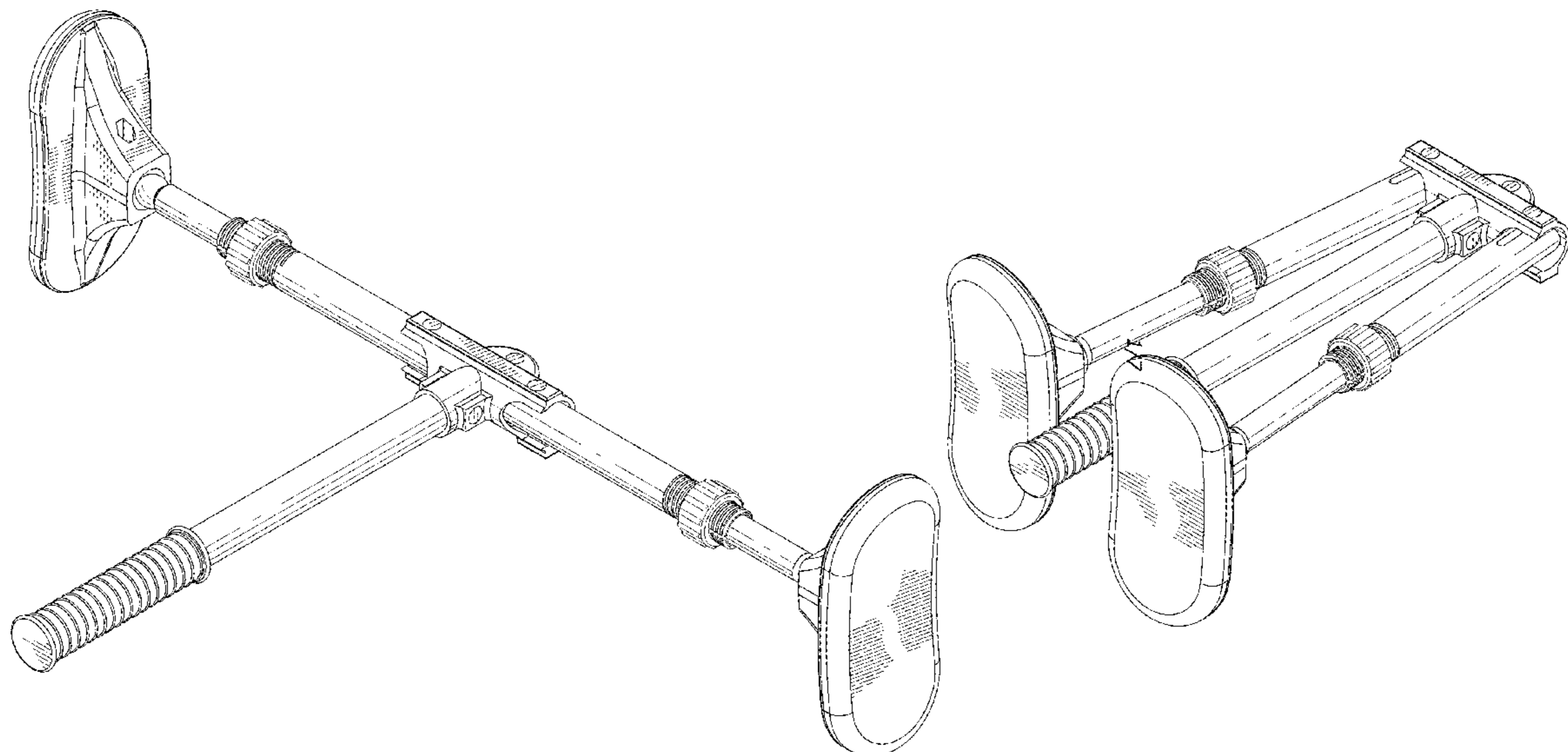
The ornamental design for a medical device for positioning patients, as shown and described.

DESCRIPTION

FIG. 1 is a back, top, left perspective view of a medical device for positioning patients in an open position; FIG. 2 is a front, bottom, right perspective view of the medical device for positioning patients of FIG. 1; FIG. 3 is a top plan view of the medical device for positioning patients of FIG. 1; FIG. 4 is a bottom plan view of the medical device for positioning patients of FIG. 1; FIG. 5 is a left side elevation view of the medical device for positioning patients of FIG. 1; FIG. 6 is a right side elevation view of the medical device for positioning patients of FIG. 1; FIG. 7 is a front elevation view of the medical device for positioning patients of FIG. 1; FIG. 8 is a back elevation view of the medical device for positioning patients of FIG. 1; and, FIG. 9 is a back, top, left perspective view, in a closed position, of the medical device for positioning patients of FIG. 1.

The broken lines in the drawings depict portions of the medical device for positioning patients that form no part of the claimed design.

1 Claim, 7 Drawing Sheets



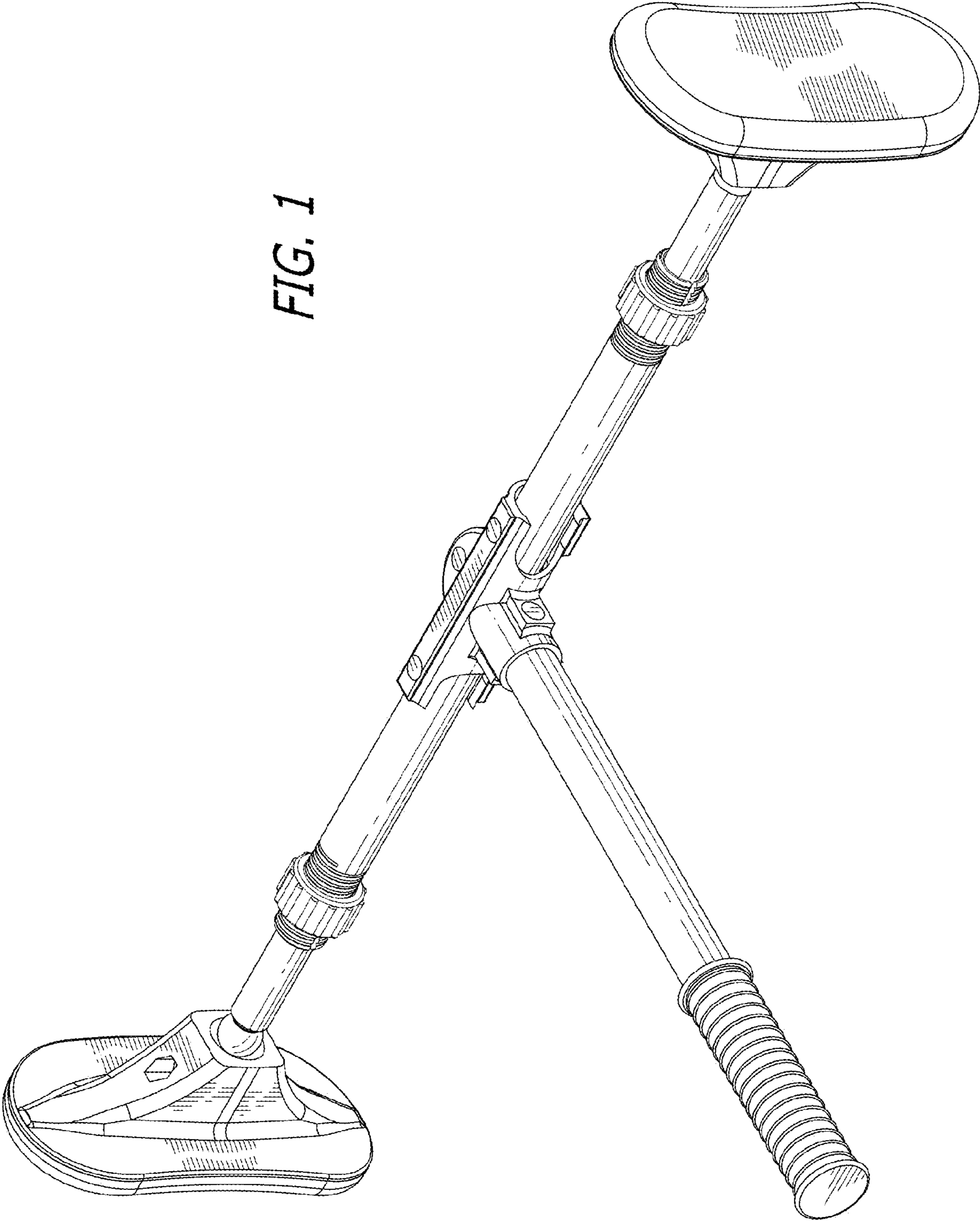


FIG. 1

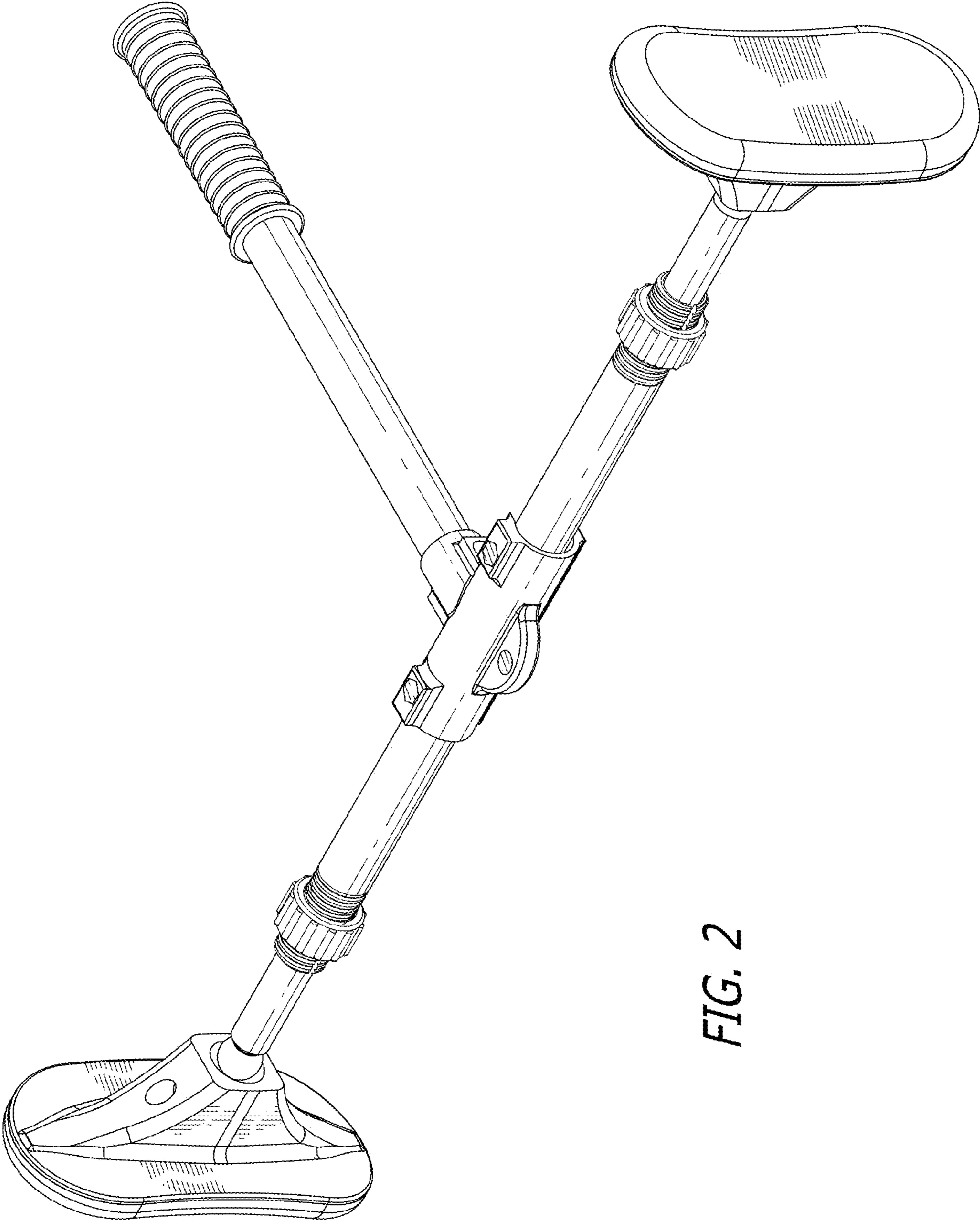


FIG. 2

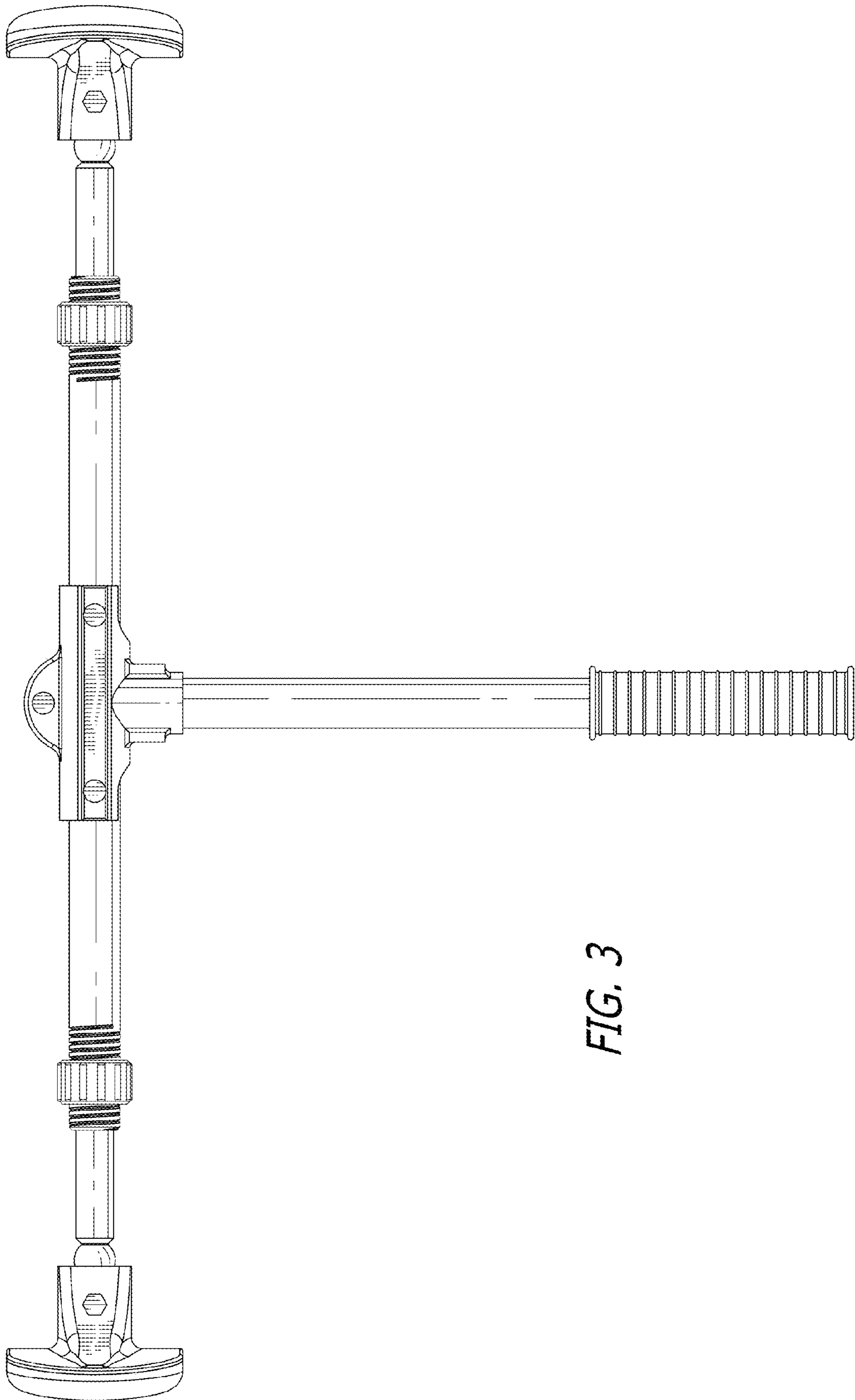


FIG. 3

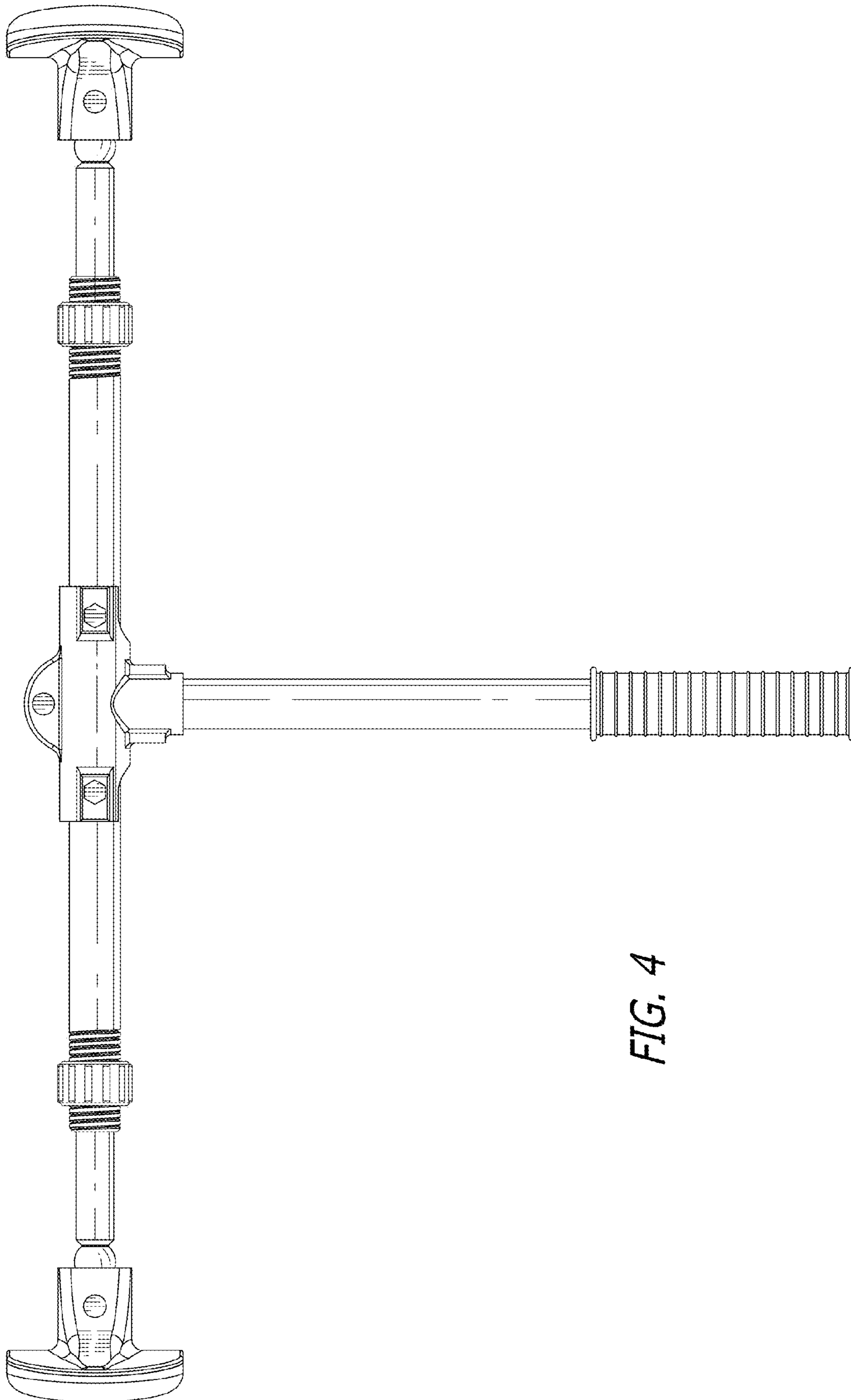


FIG. 4

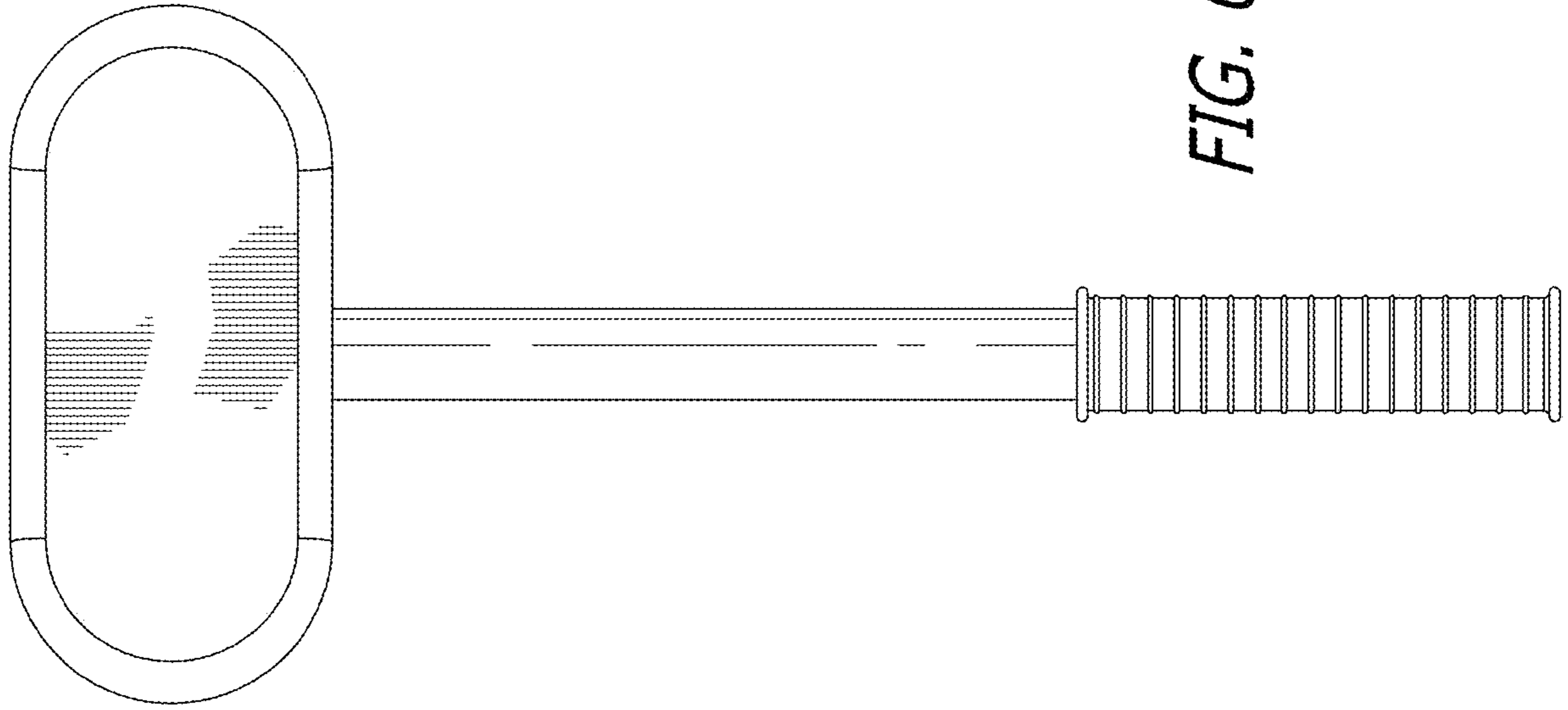


FIG. 6

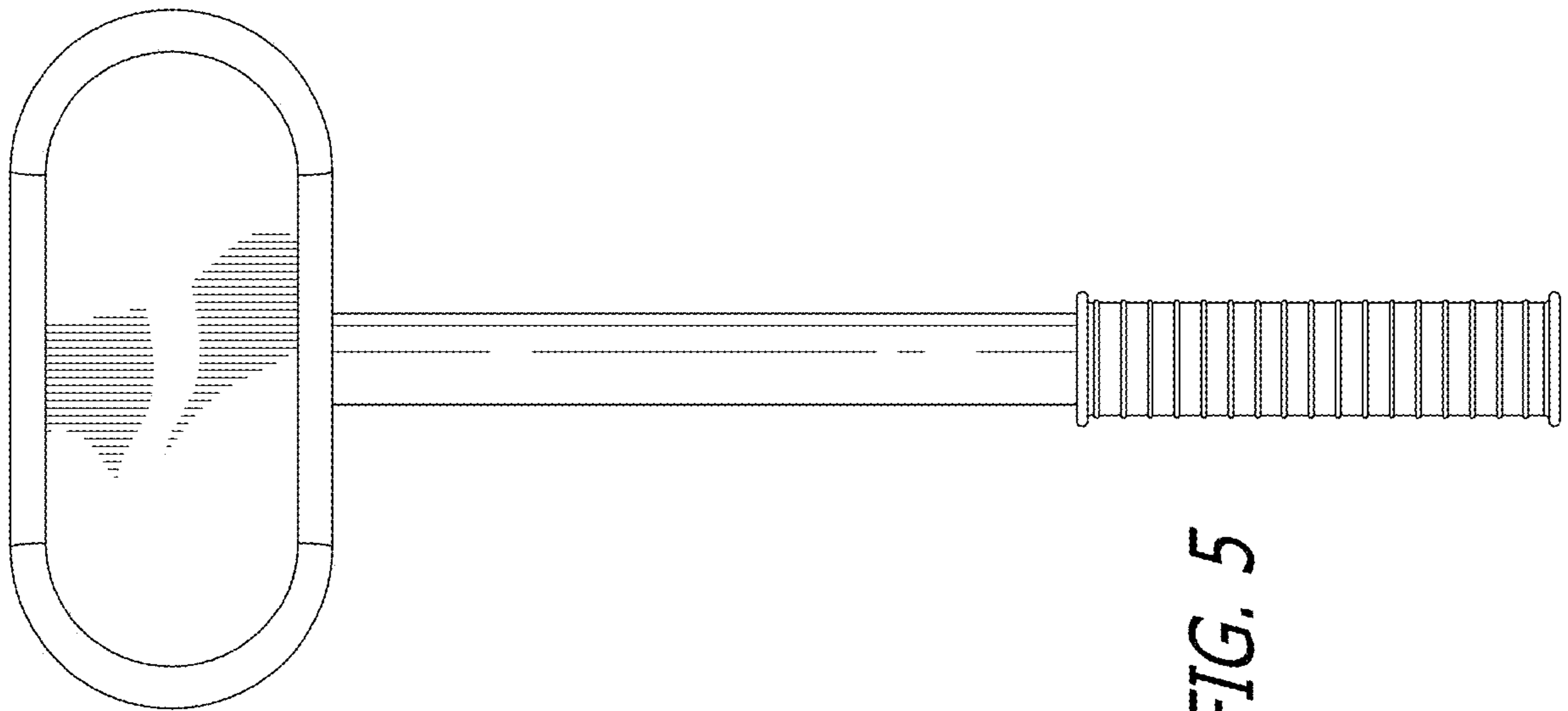


FIG. 5

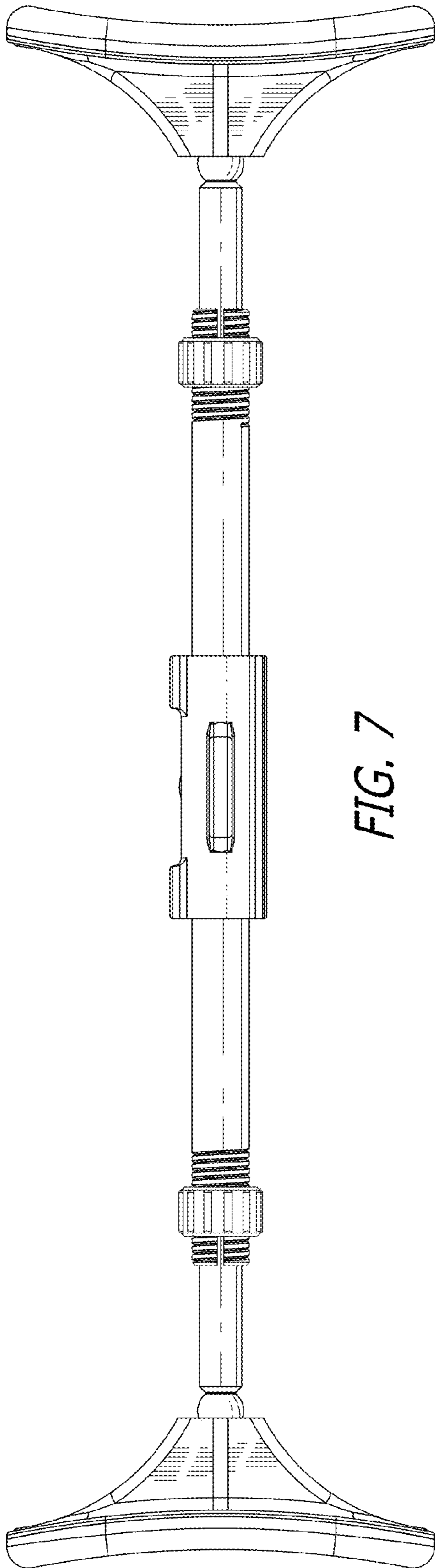


FIG. 7

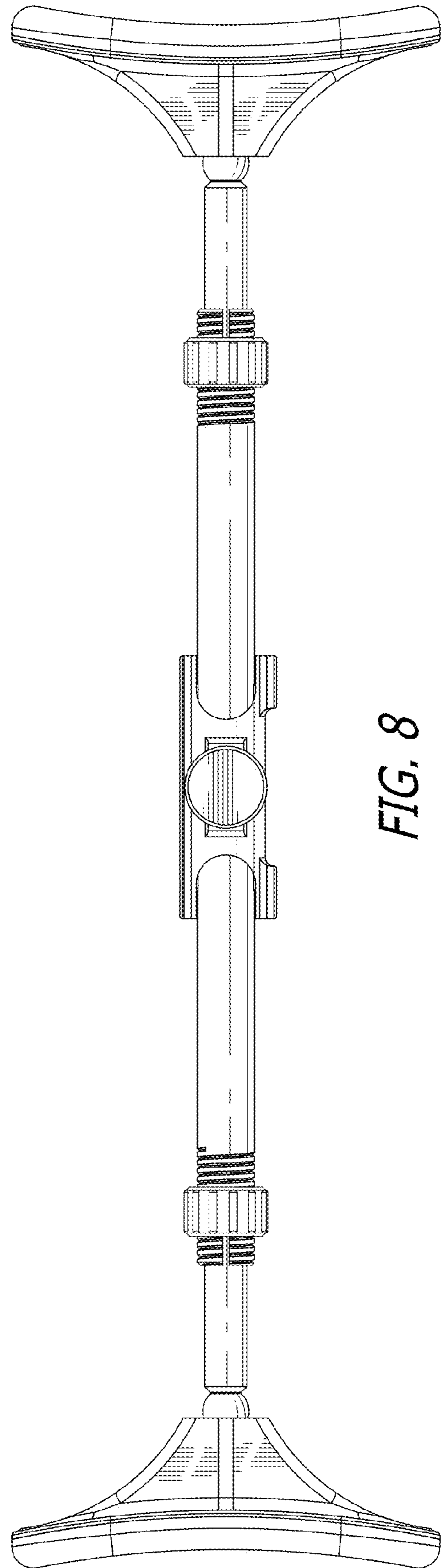


FIG. 8

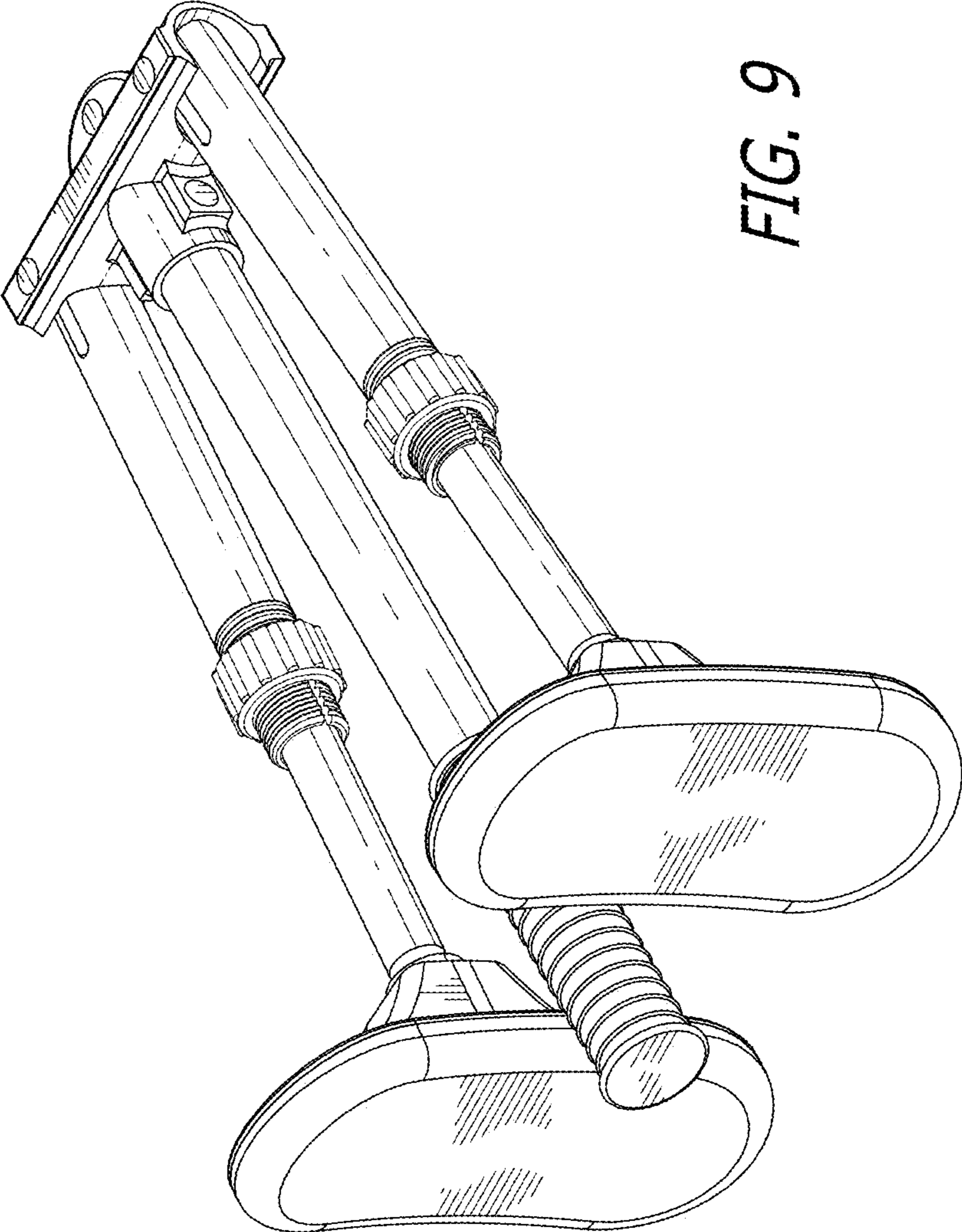


FIG. 9