



US00D887007S

(12) **United States Design Patent** (10) **Patent No.:** **US D887,007 S**  
**Smith et al.** (45) **Date of Patent:** **\*\* Jun. 9, 2020**

(54) **EXAMINATION TABLE**

FOREIGN PATENT DOCUMENTS

(71) Applicant: **Midmark Corporation**, Versailles, OH (US)

JP D2003-18503 \* 6/2003

(72) Inventors: **Arthur Dale Smith**, Greenville, OH (US); **Benjamin Carl Seger**, Ansonia, OH (US); **Kenneth Paul Wolters**, Minster, OH (US); **Jason A. Male**, Grayslake, IL (US); **Thomas John Helmick**, Bradford, OH (US); **Joseph Edwin Martin**, Arcanum, OH (US); **Michael Todd Cavins**, Marysville, OH (US); **Rainer Bernhard Teufel**, Worthington, OH (US); **Jeffrey T. DeBord**, Worthington, OH (US)

OTHER PUBLICATIONS

Examination/Treatment & Emergency. Online, published date unknown. Retrieved on Apr. 24, 2019 from URL: <http://www.surgmed.com/category/medical/tables--stools.aspx>.\*

*Primary Examiner* — Susan Bennett Hattan  
*Assistant Examiner* — Omeed Agilee  
(74) *Attorney, Agent, or Firm* — Frost Brown Todd LLC

(73) Assignee: **Midmark Corporation**, Versailles, OH (US)

(57) **CLAIM**

The ornamental design for an examination table, as shown and described.

(\*\*) Term: **15 Years**

**DESCRIPTION**

(21) Appl. No.: **29/636,619**

(22) Filed: **Feb. 9, 2018**

(51) **LOC (12) Cl.** ..... **24-02**

(52) **U.S. Cl.**  
USPC ..... **D24/183**

(58) **Field of Classification Search**  
USPC ..... D24/159, 183–184, 200; D6/595–596, D6/601, 604–605, 336–337  
CPC ..... A61B 6/04; A61B 6/0407; A61F 5/3723  
See application file for complete search history.

FIG. 1 is a front right perspective view of an examination table showing our new design in a raised state; FIG. 2 is a front left perspective view thereof; FIG. 3 is a front elevational view thereof; FIG. 4 is a rear elevational view thereof; FIG. 5 is a left side elevational view thereof; FIG. 6 is a right side elevational view thereof; FIG. 7 is a top plan view thereof; FIG. 8 is a bottom plan view thereof; FIG. 9 is a front right perspective view of an examination table showing our new design in a lowered state; FIG. 10 is a front left perspective view thereof; FIG. 11 is a front elevational view thereof; FIG. 12 is a rear elevational view thereof; FIG. 13 is a left side elevational view thereof; FIG. 14 is a right side elevational view thereof; FIG. 15 is a top plan view thereof; and, FIG. 16 is a bottom plan view thereof.

The broken lines shown in the drawings depict portions of the examination table that form no part of the claimed design.

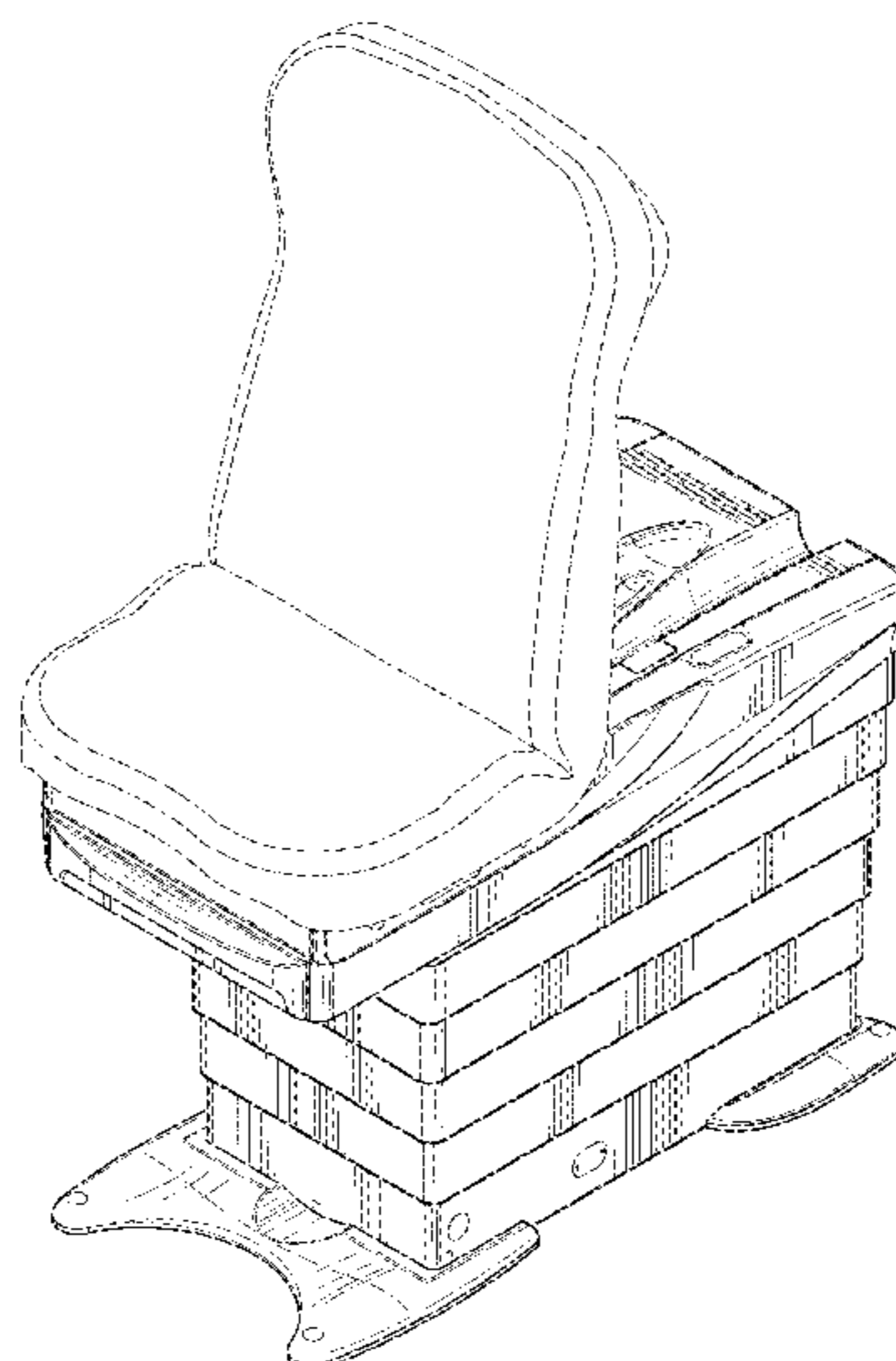
(56) **References Cited**

U.S. PATENT DOCUMENTS

D96,758 S \* 9/1935 Kalter ..... D24/183  
D351,742 S \* 10/1994 Phleps ..... D24/183  
D379,409 S \* 5/1997 Schwaegerle ..... D6/360  
D418,225 S \* 12/1999 Simpkins ..... D24/183  
D553,246 S \* 10/2007 Banryu ..... D24/183

(Continued)

**1 Claim, 16 Drawing Sheets**



(56)

**References Cited**

## U.S. PATENT DOCUMENTS

7,376,991 B2 \* 5/2008 Stewart ..... A61G 13/0018  
297/354.13  
D602,162 S \* 10/2009 Albrecht ..... D24/184  
D681,208 S \* 4/2013 Ninomiya ..... D24/159  
D685,099 S \* 6/2013 Magoteaux ..... D24/183  
8,641,147 B2 \* 2/2014 Diller ..... A61G 15/125  
297/391  
D701,605 S \* 3/2014 Ohmukai ..... D24/183  
D726,319 S \* 4/2015 Sul ..... D24/159  
D727,509 S \* 4/2015 Tan ..... D24/159  
D748,804 S \* 2/2016 Eenboom ..... D24/183  
D750,254 S \* 2/2016 Boegel ..... D24/159  
D752,757 S \* 3/2016 Li ..... D24/159  
D762,995 S \* 8/2016 Galati, Jr. .... D6/336  
D770,049 S \* 10/2016 Yanagihara ..... D24/159  
D774,195 S \* 12/2016 Ramos ..... D24/183  
9,597,243 B1 \* 3/2017 Helmick ..... A61G 15/02  
D820,453 S \* 6/2018 Personelli ..... D24/159  
D829,913 S \* 10/2018 Kitayama ..... D24/159  
D844,789 S \* 4/2019 Hetz ..... D24/183  
2004/0068797 A1 \* 4/2004 Smith ..... A61G 13/0018  
5/617  
2013/0247300 A1 \* 9/2013 Menke ..... A61G 13/0018  
5/611  
2014/0058213 A1 \* 2/2014 Abu-Tarif ..... A61B 5/0205  
600/301

\* cited by examiner

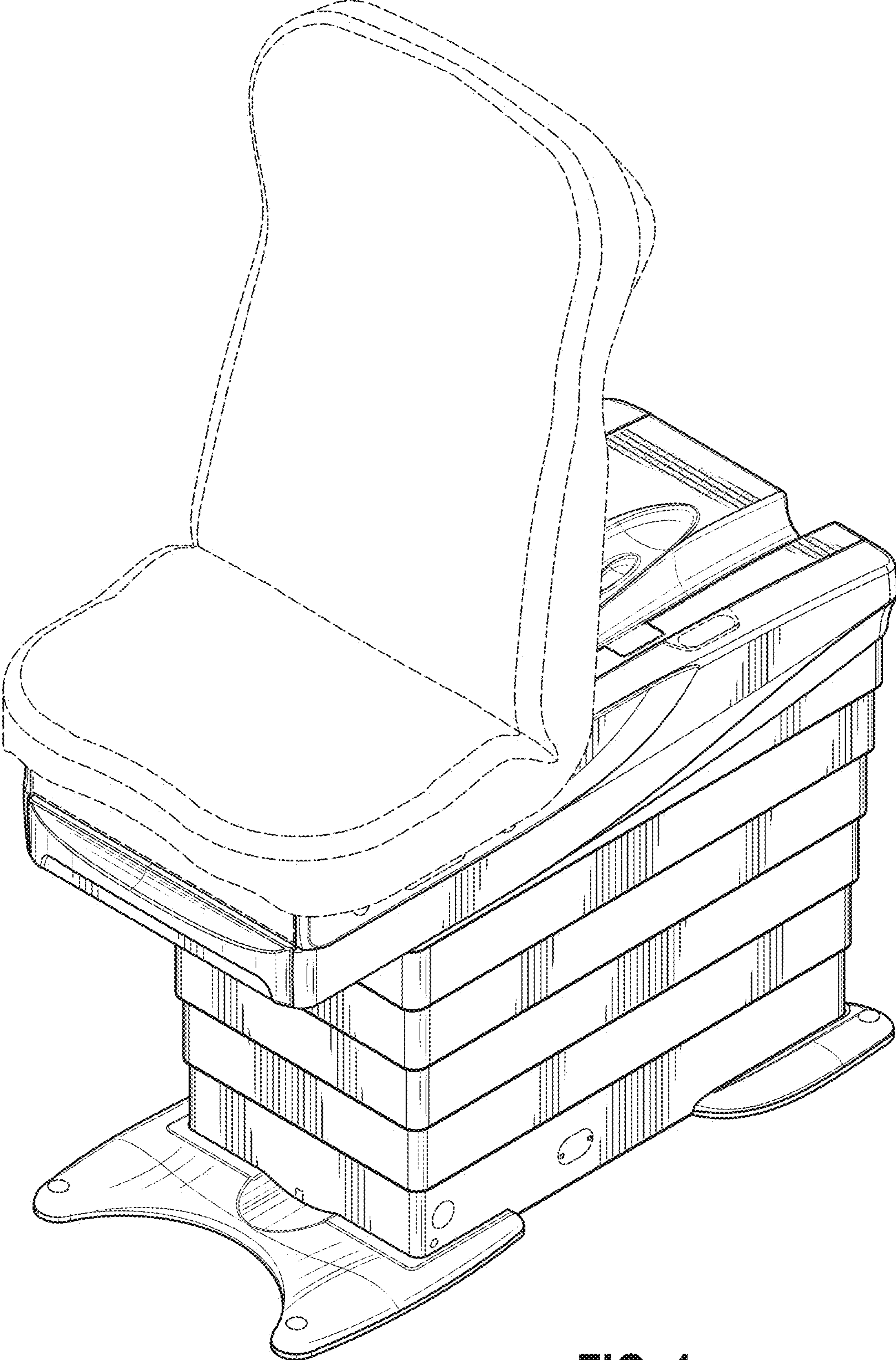


FIG. 1

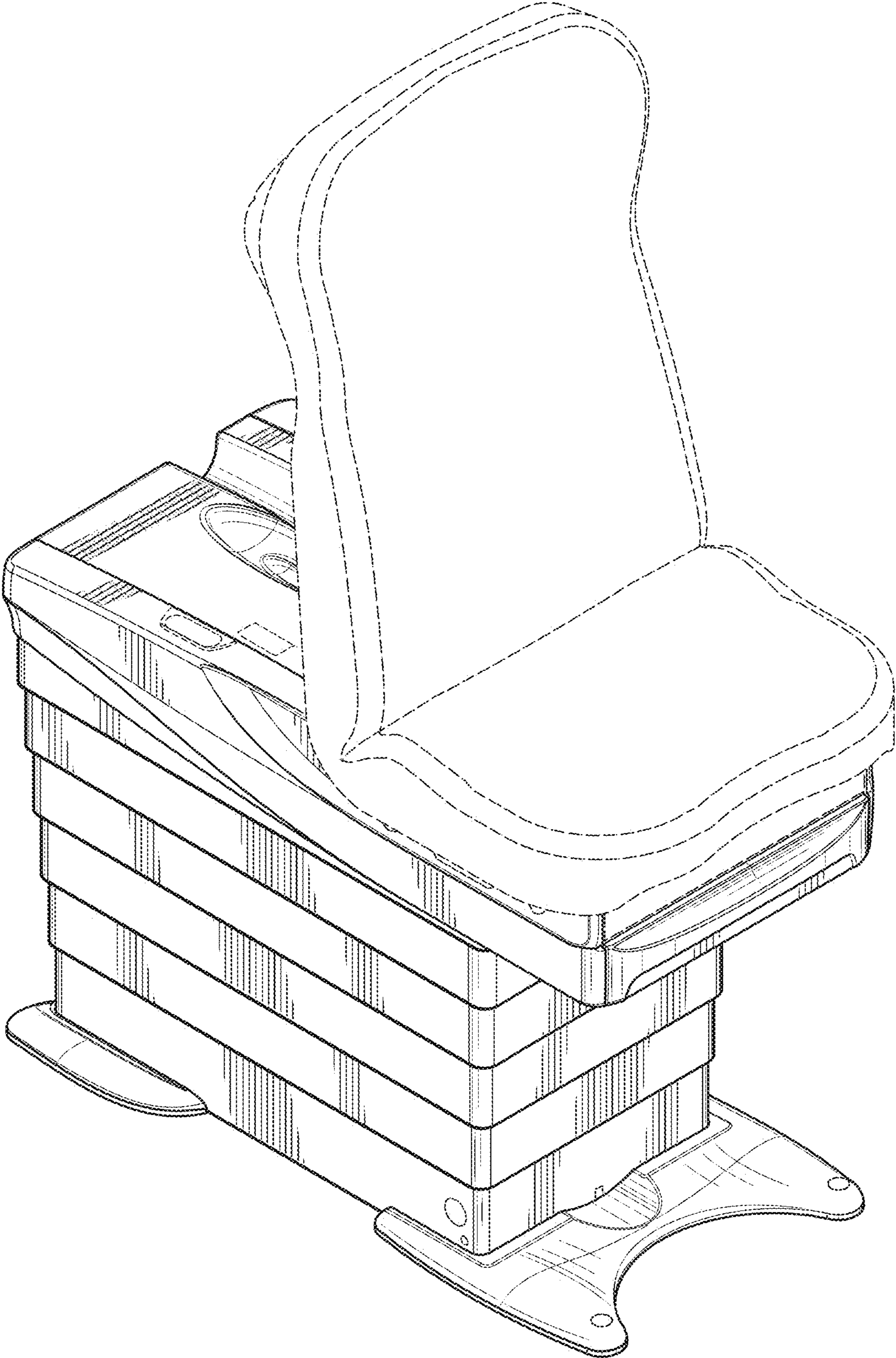


FIG. 2

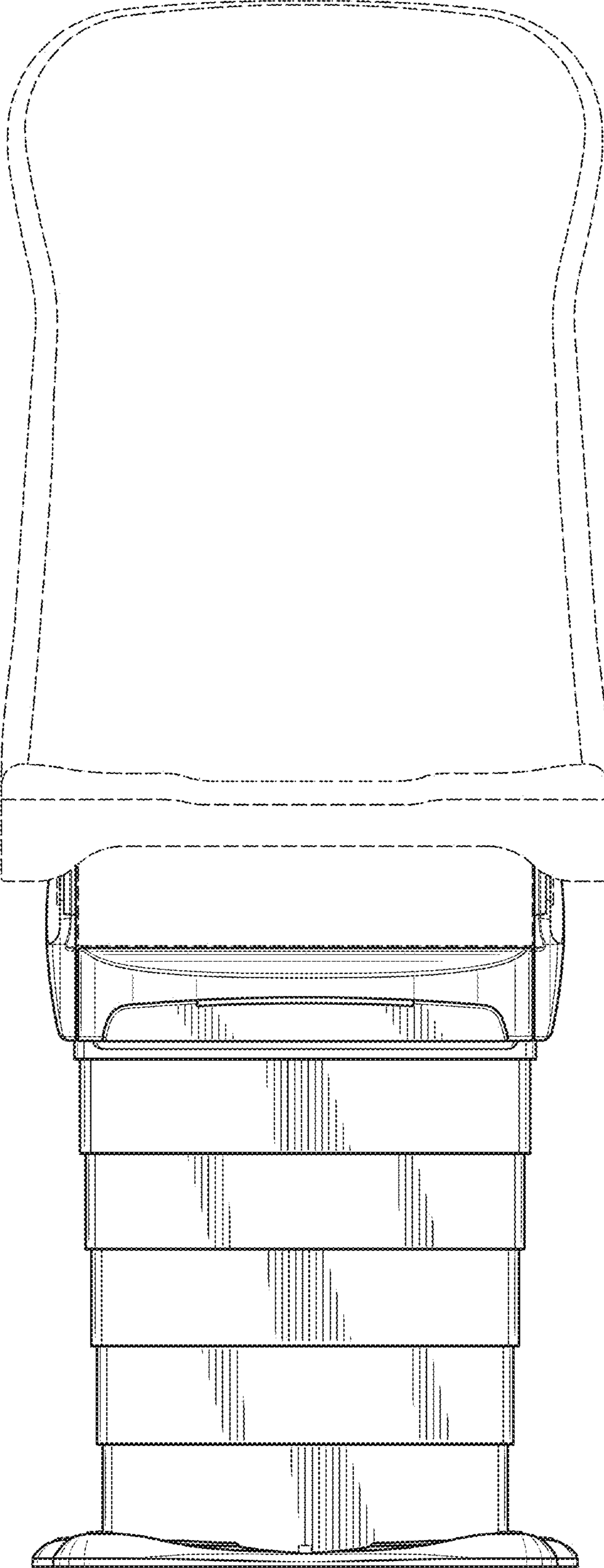


FIG. 3

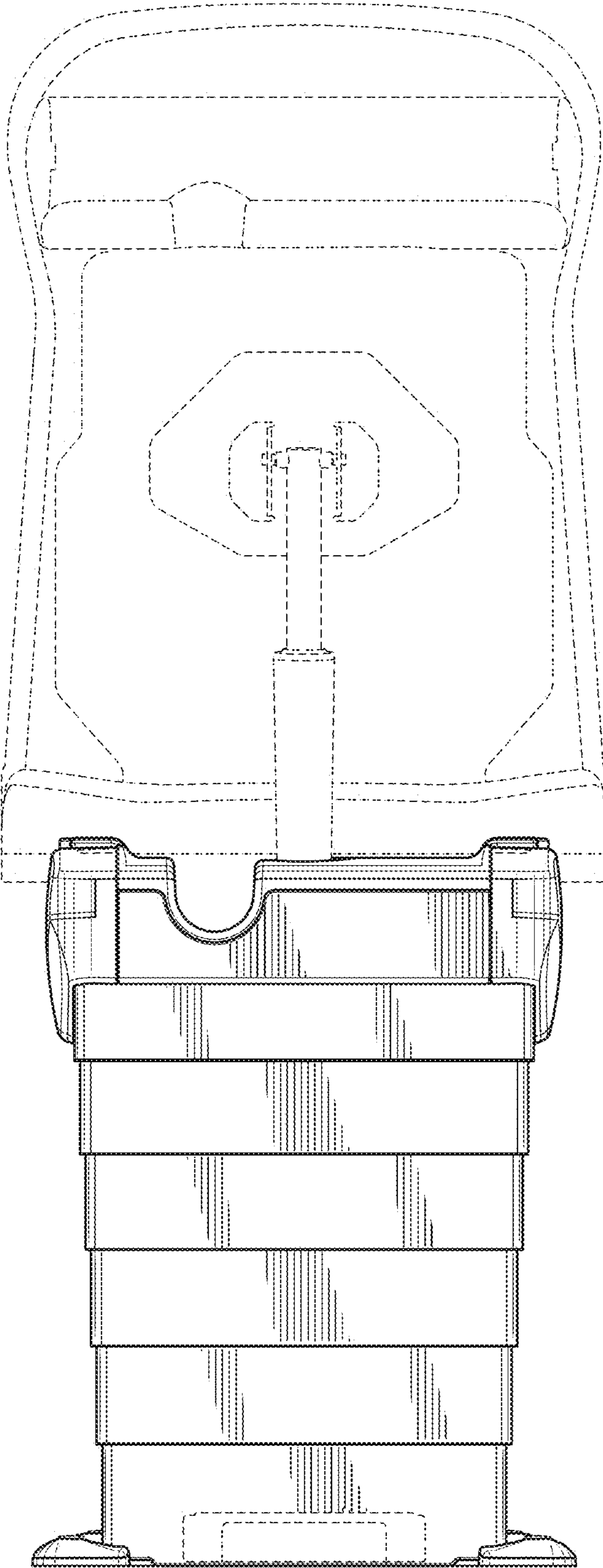


FIG. 4

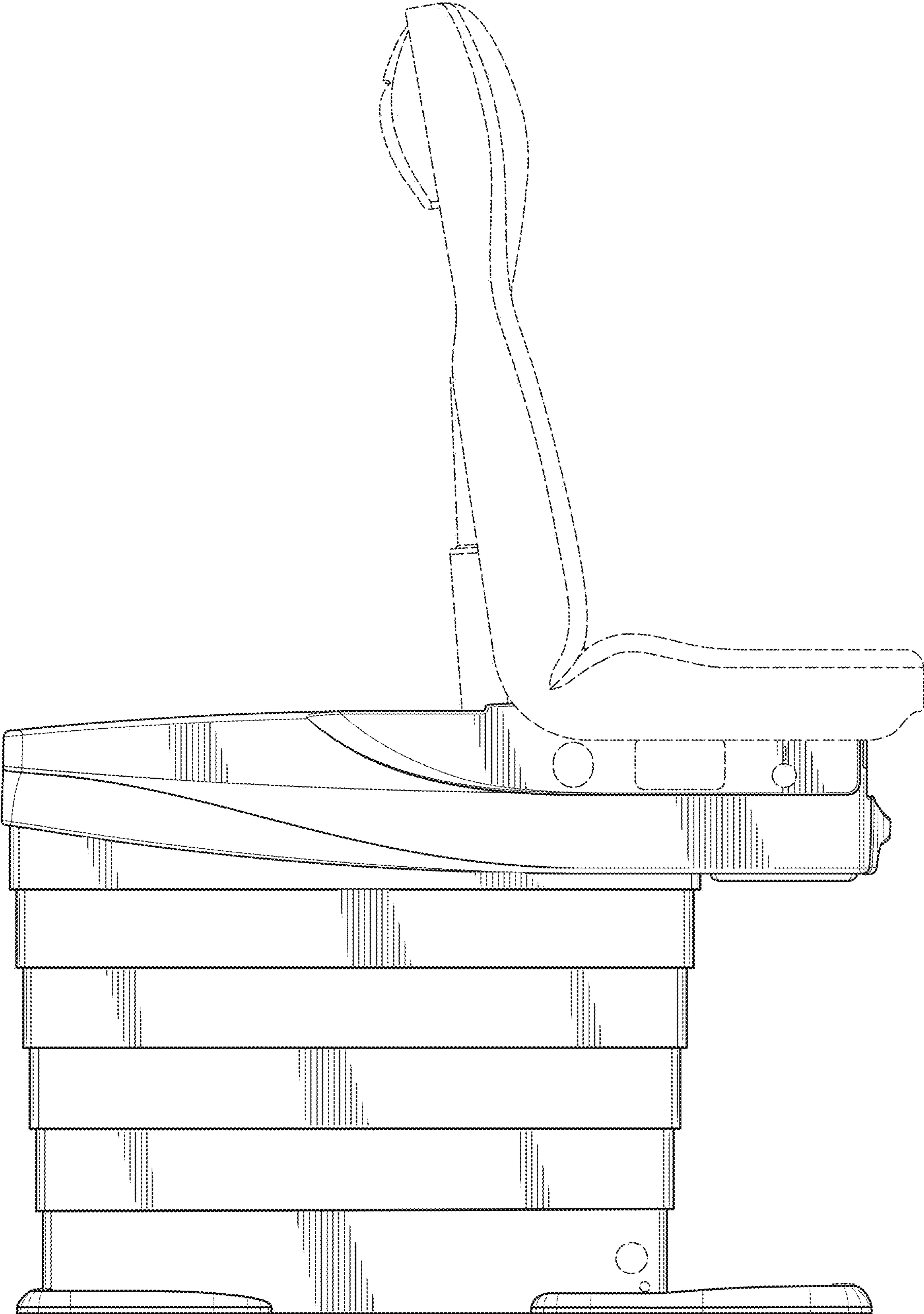


FIG. 5

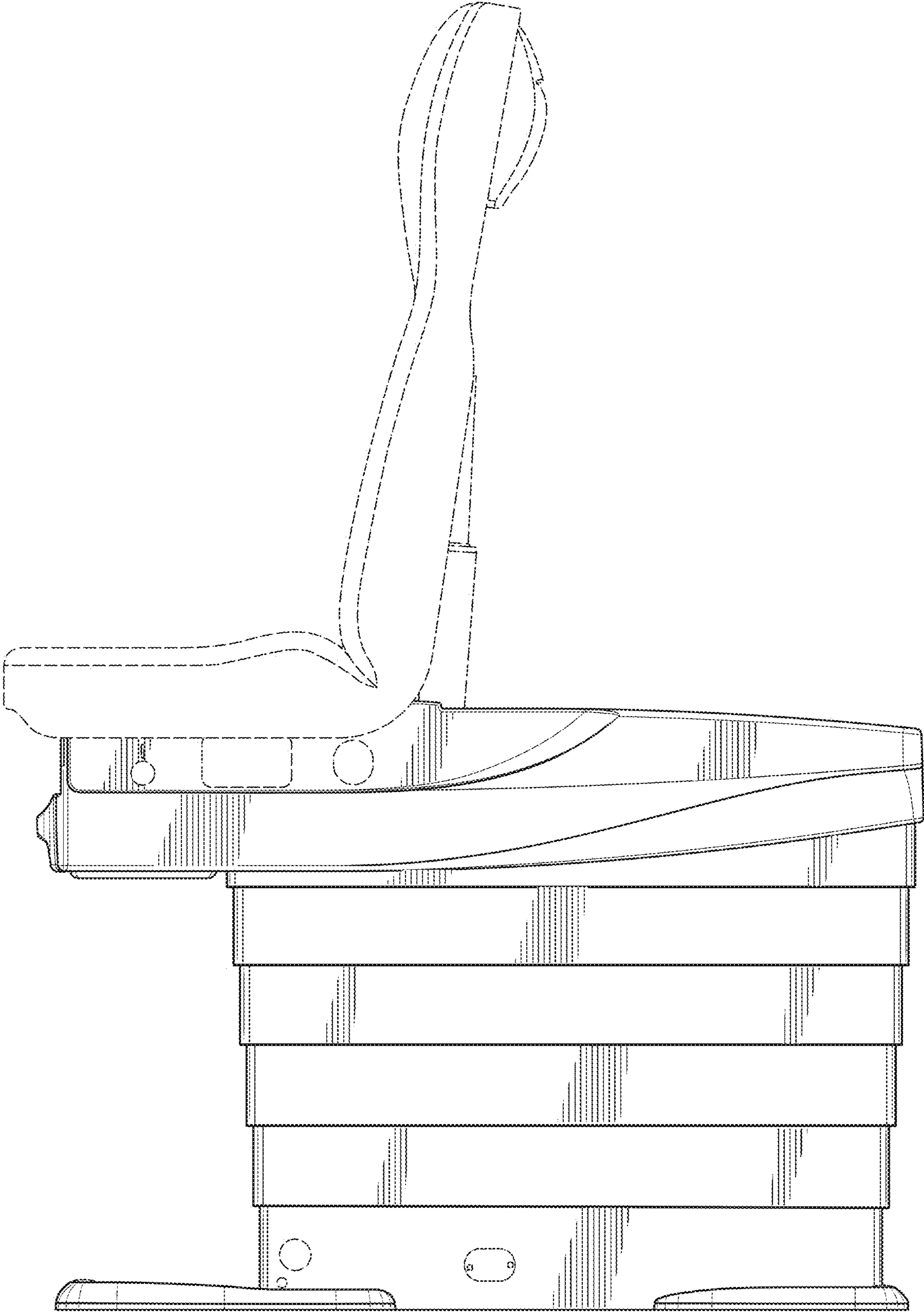


FIG. 6



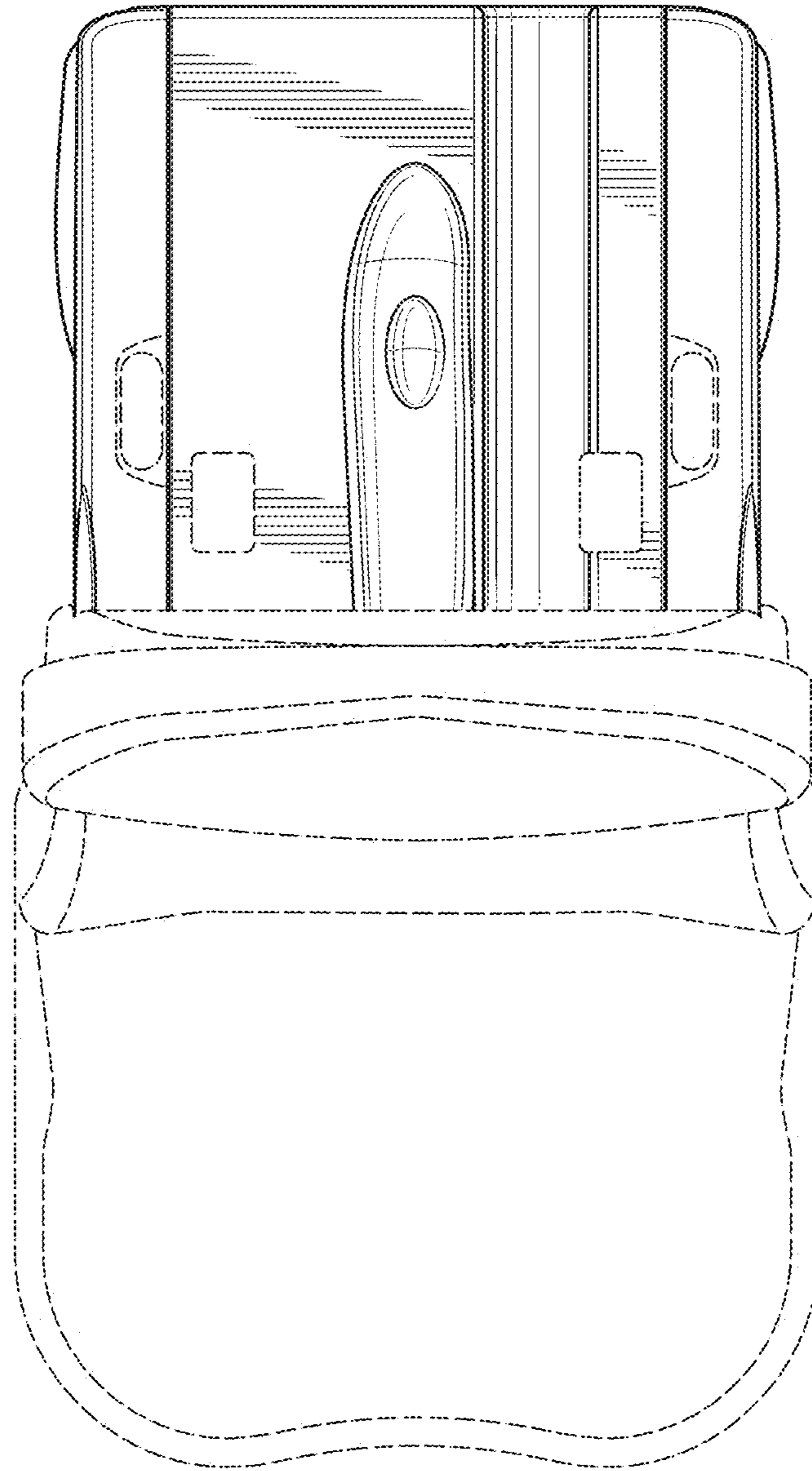


FIG. 7

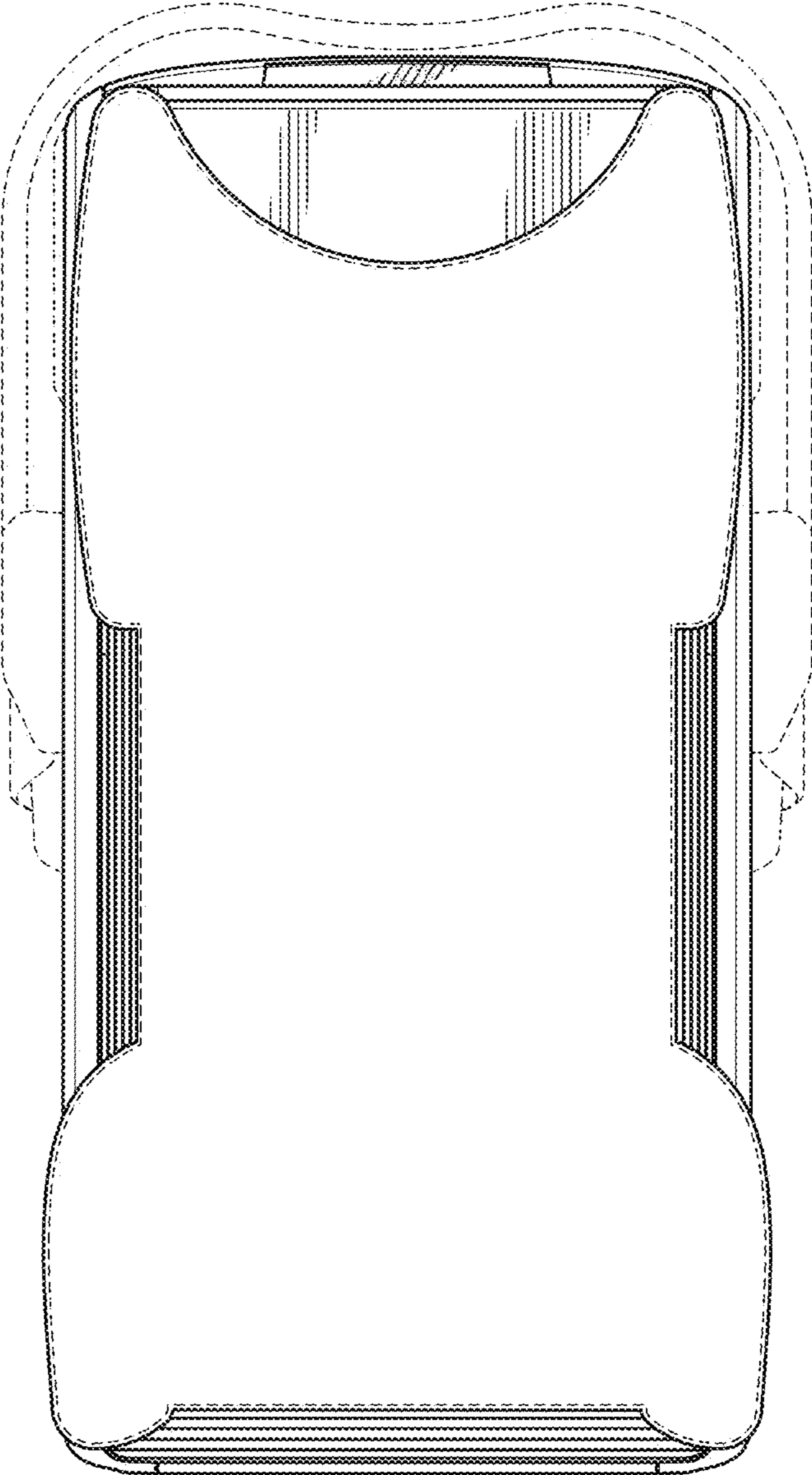


FIG. 8

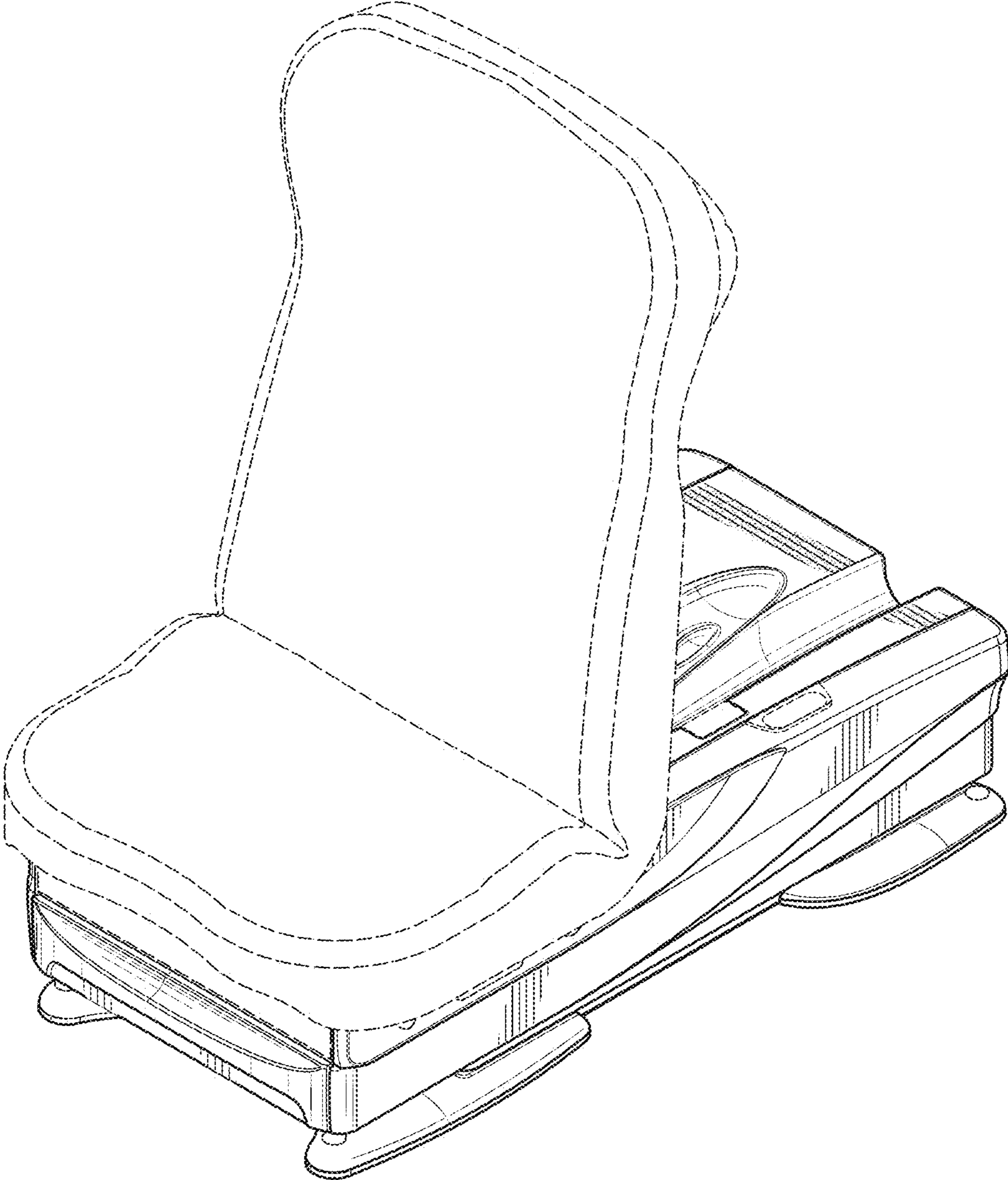


FIG. 9

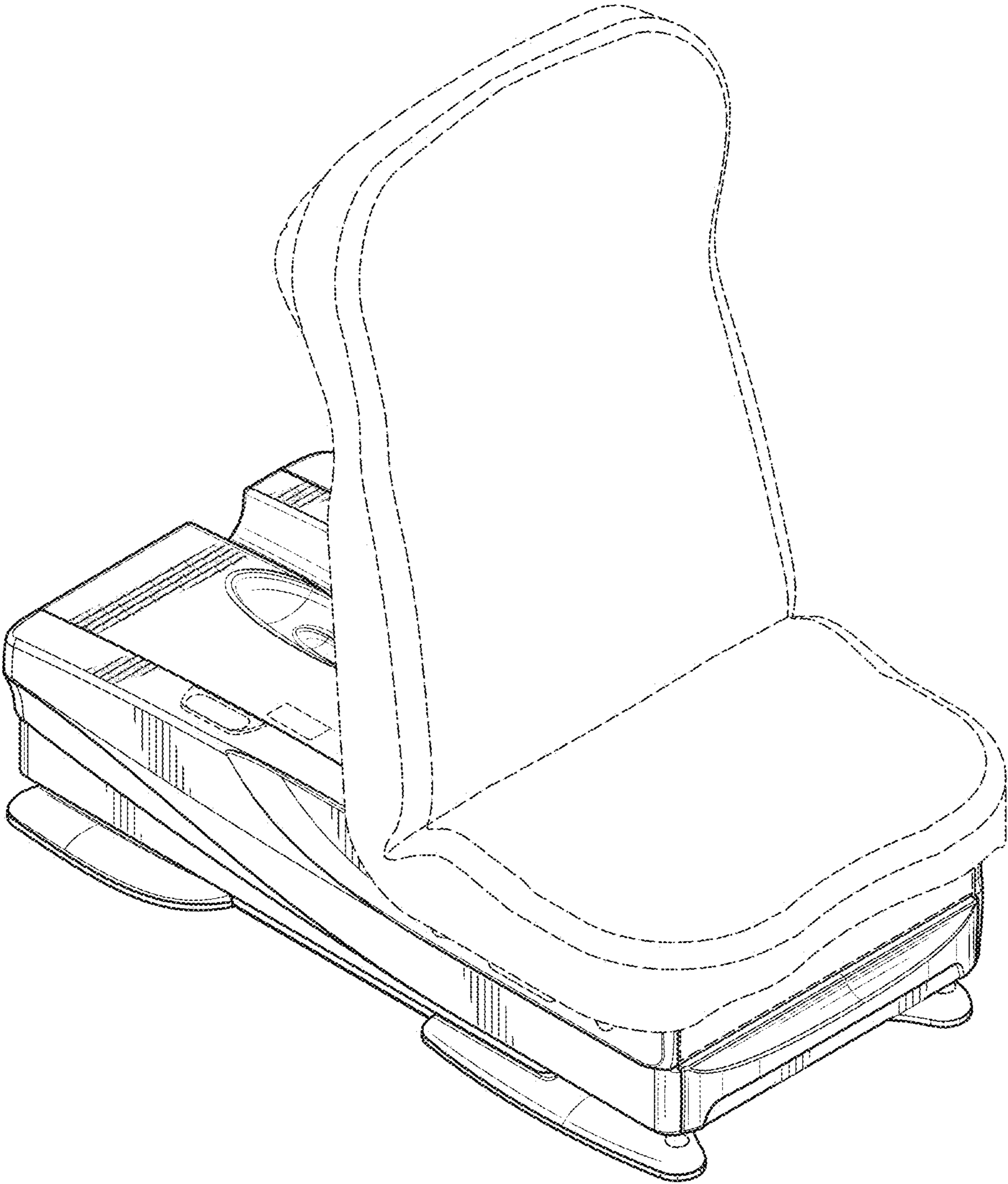


FIG. 10

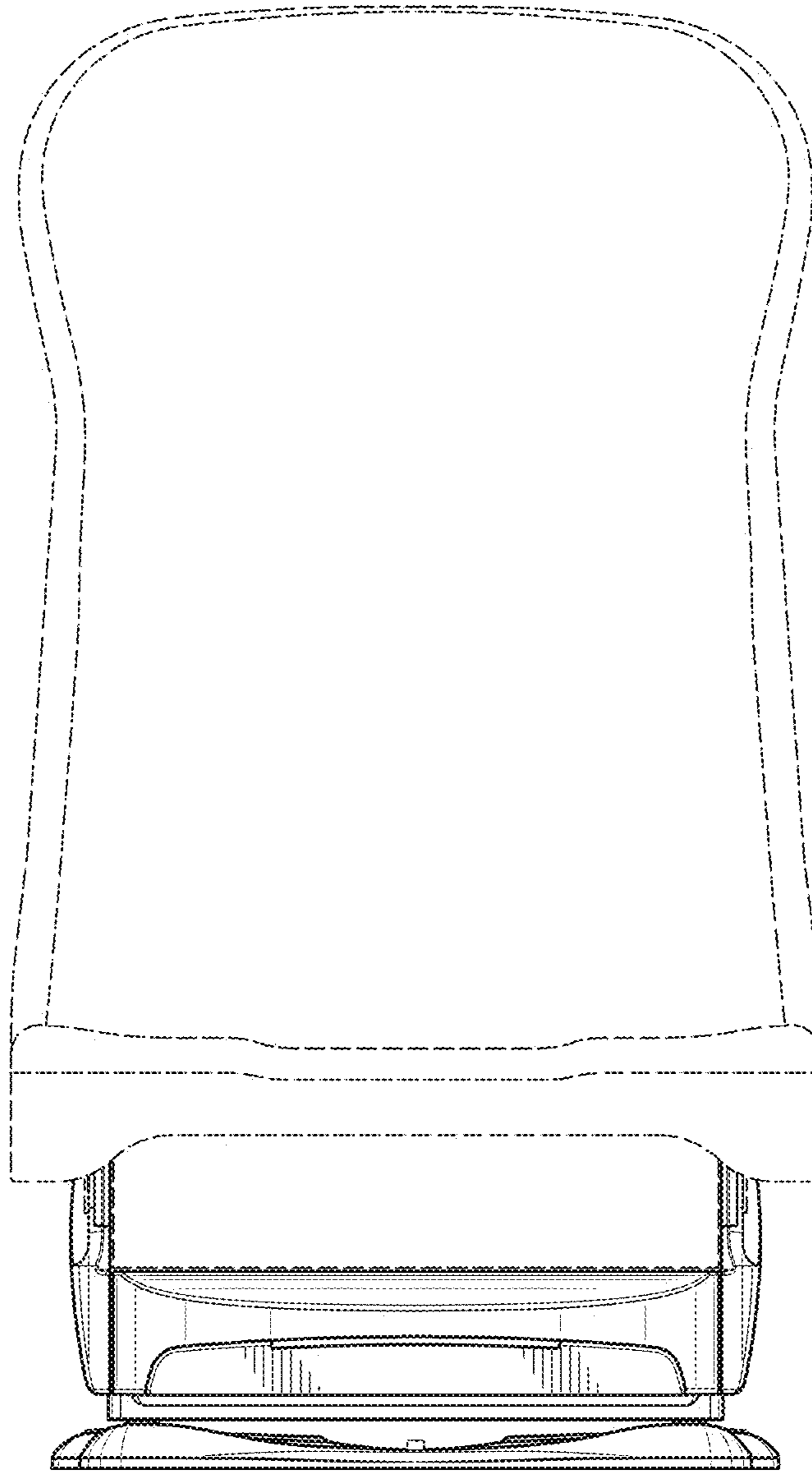


FIG. 11

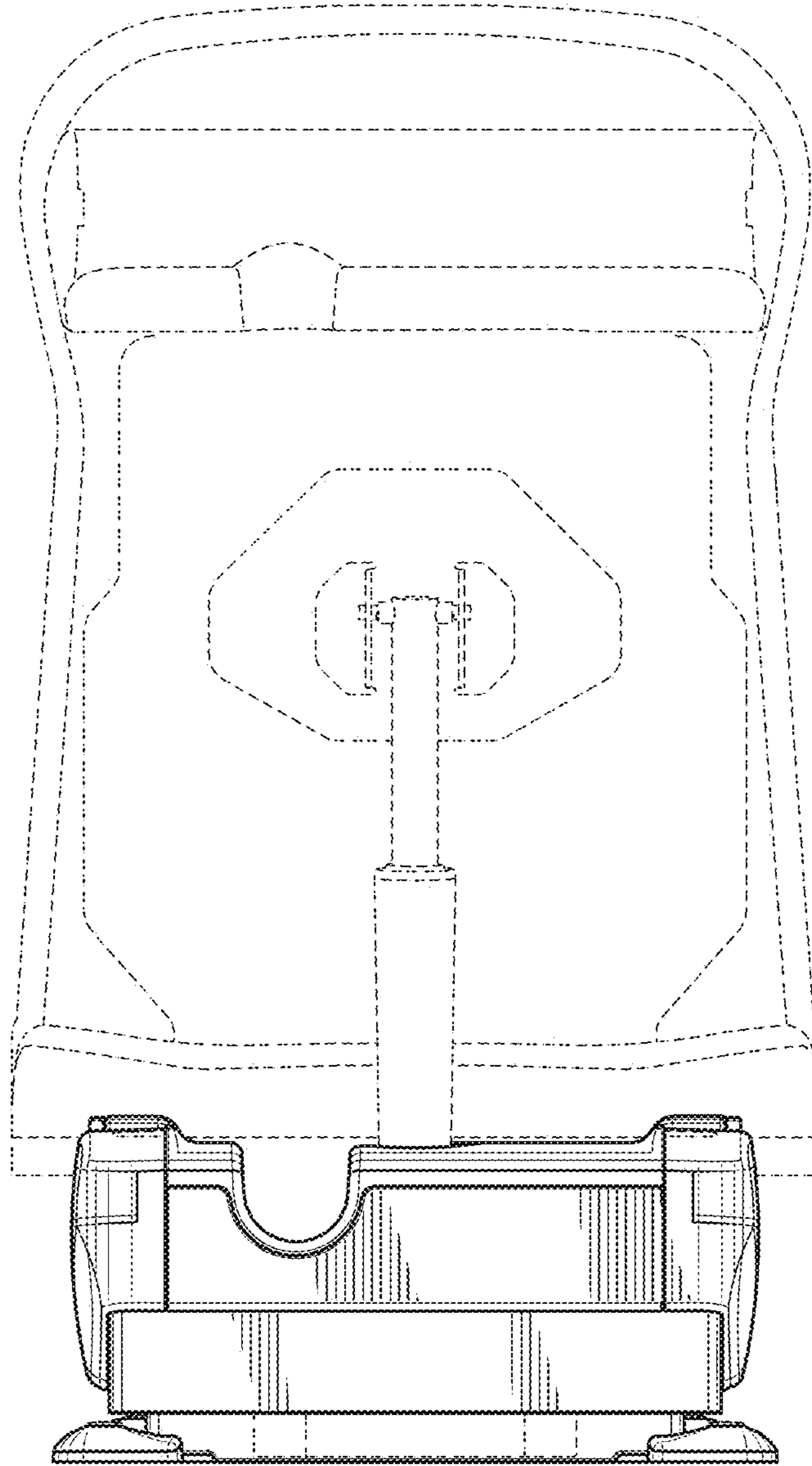


FIG. 12

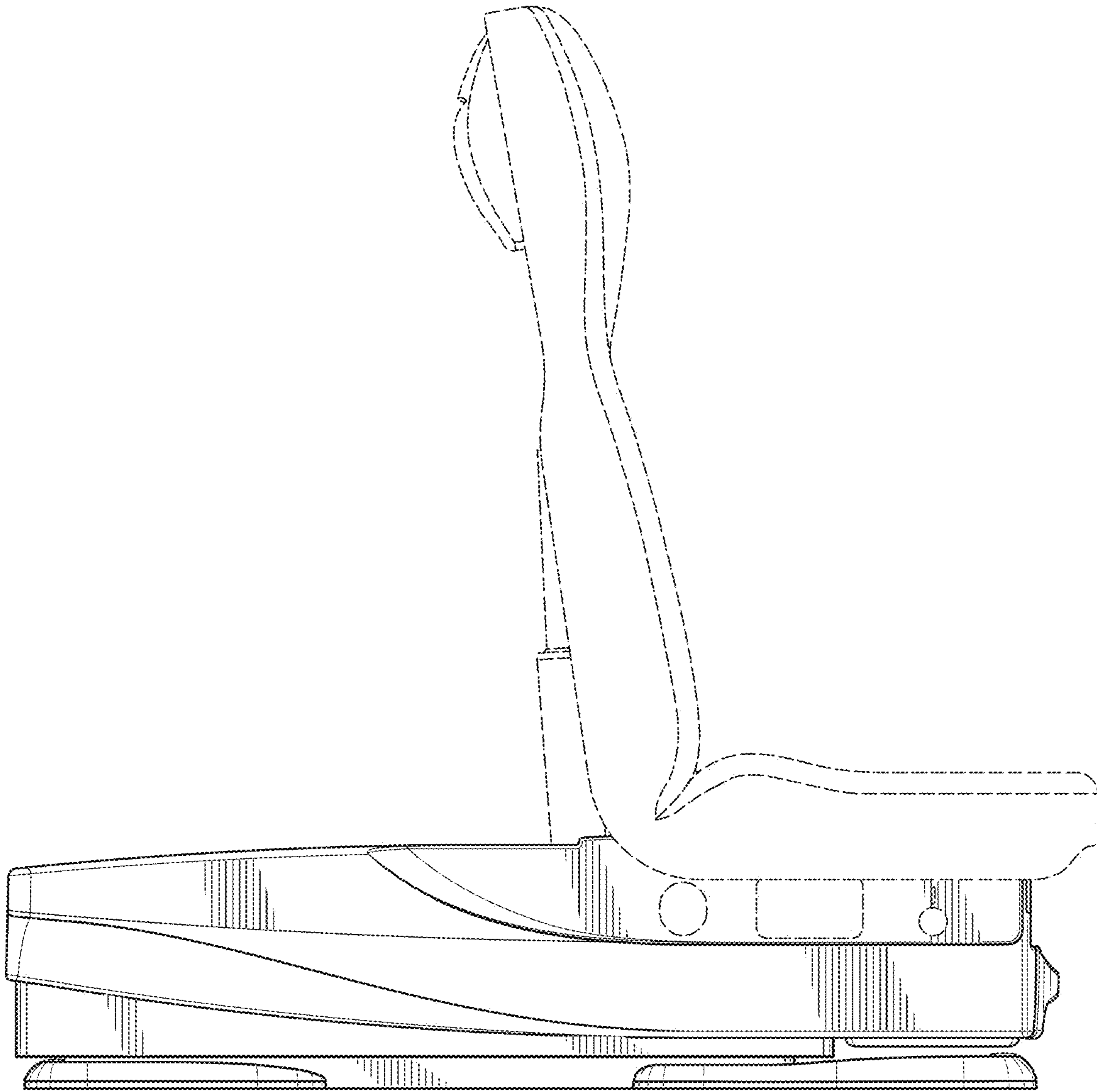


FIG. 13

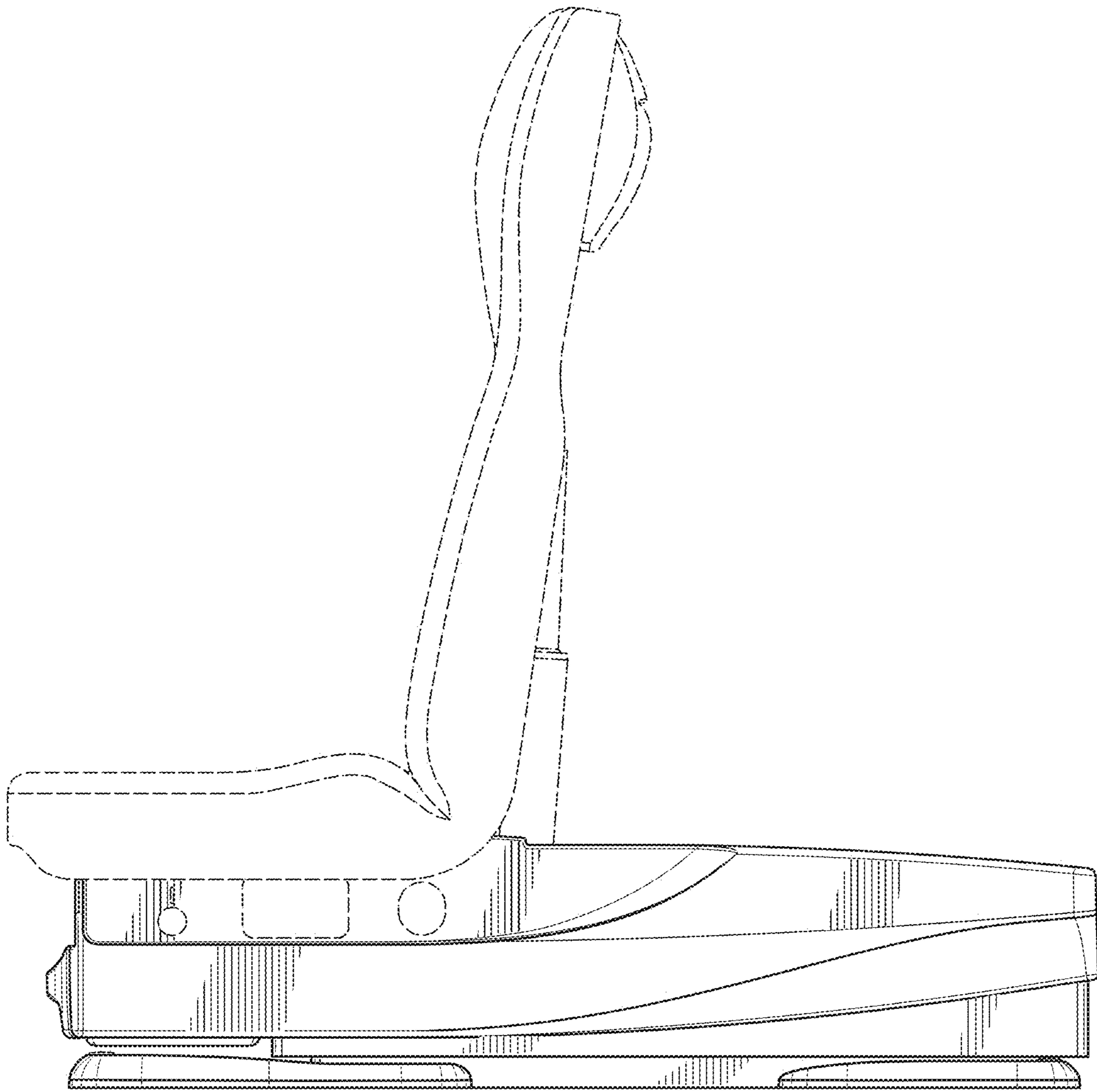


FIG. 14



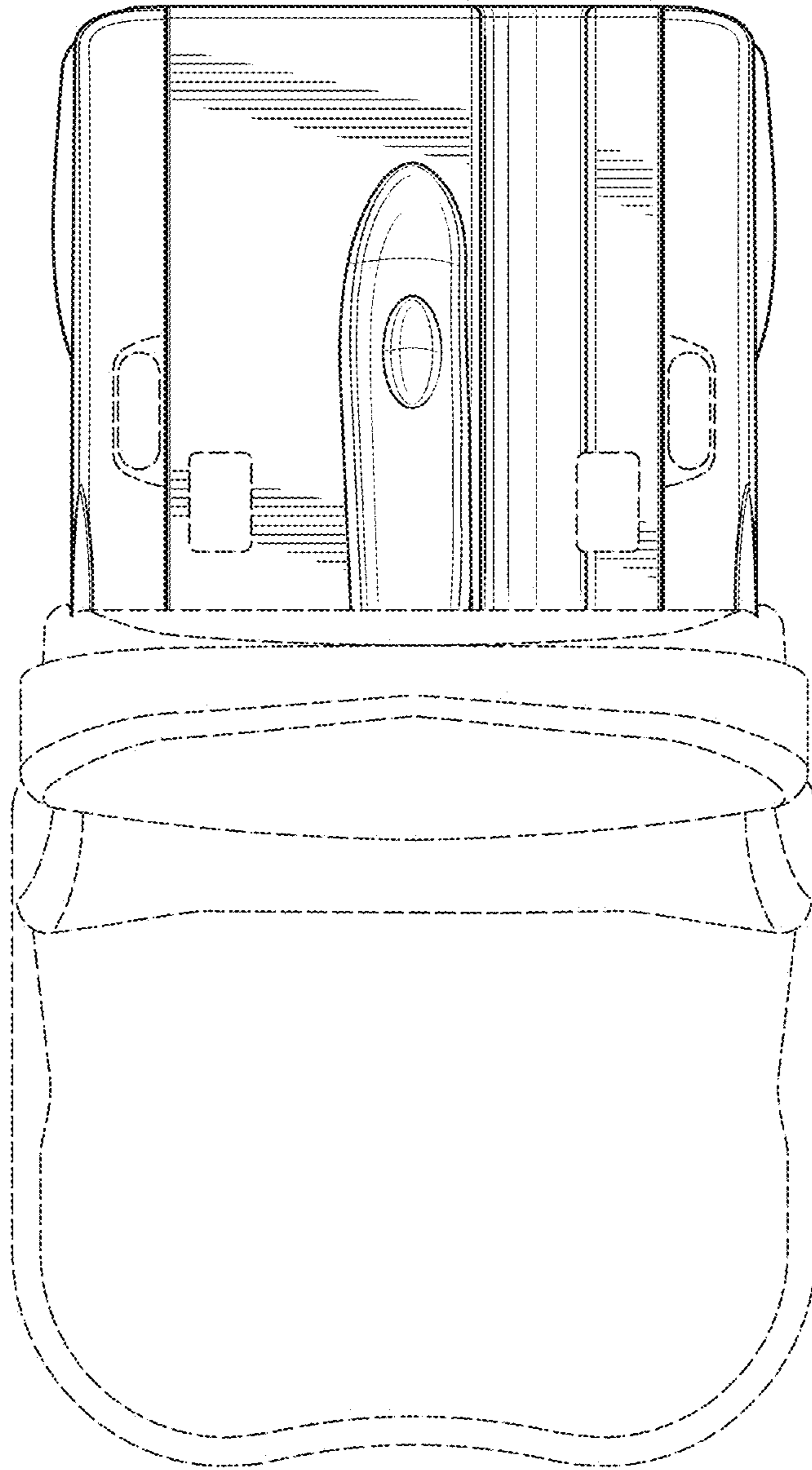


FIG. 15

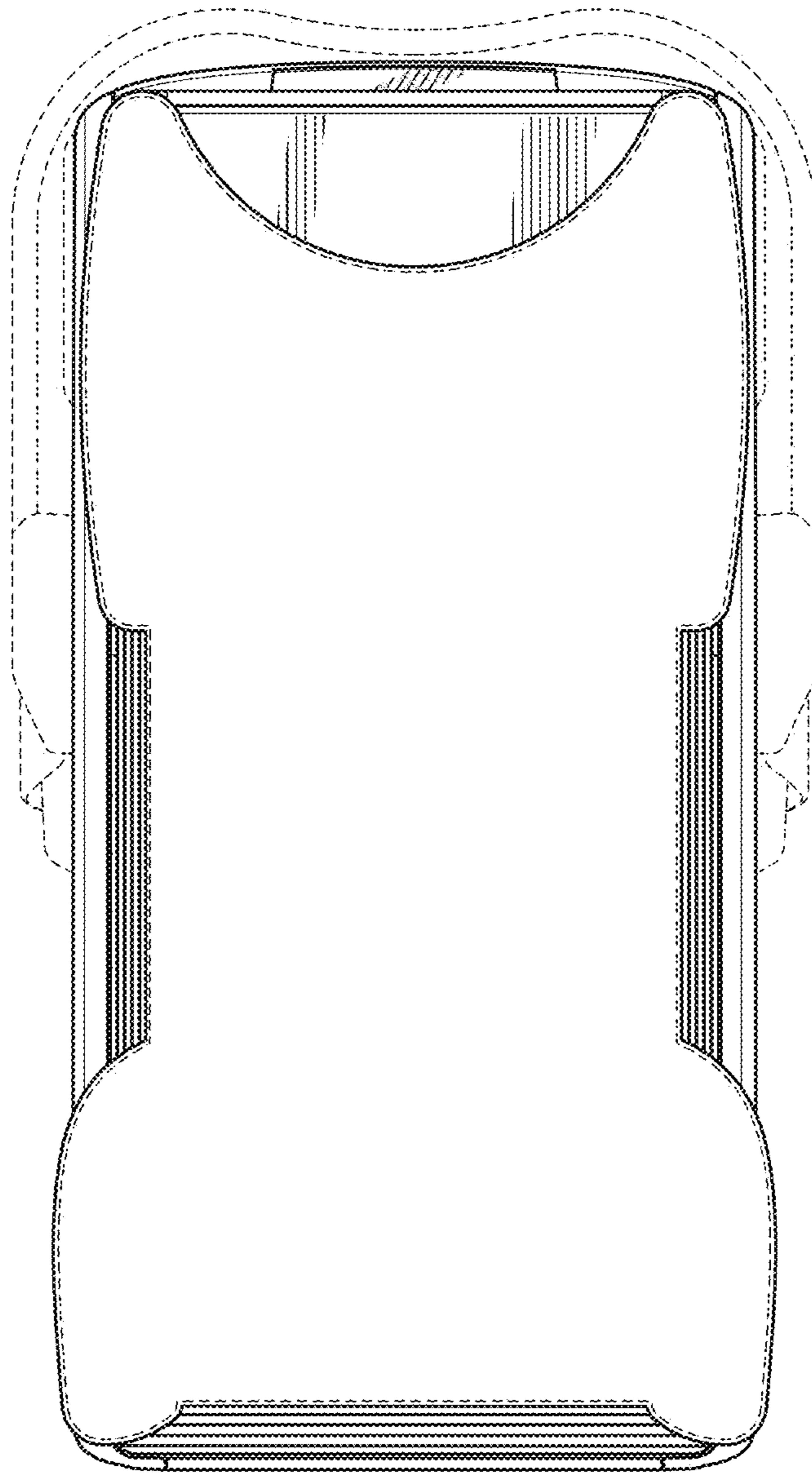


FIG. 16