



US00D887004S

(12) **United States Design Patent**
Chang

(10) **Patent No.:** **US D887,004 S**
(45) **Date of Patent:** **** Jun. 9, 2020**

(54) **MAGNETIC RESONANCE TOMOGRAPHY
DIAGNOSIS APPARATUS**
(71) Applicant: **Canon Medical Systems Corporation,**
Otagawa-shi (JP)

D785,180 S 4/2017 Avranches et al.
D785,181 S 4/2017 Grosshauser et al.
D785,182 S 4/2017 Grosshauser et al.
D785,801 S 5/2017 Grosshauser et al.
D794,798 S 8/2017 Grosshauser et al.
(Continued)

(72) Inventor: **Shianwei Chang,** Kawasaki (JP)
(73) Assignee: **Canon Medical Systems Corporation,**
Otagawa-shi (JP)

FOREIGN PATENT DOCUMENTS

CN 303730461 6/2016
CN 303827769 8/2016
(Continued)

(**) Term: **15 Years**
(21) Appl. No.: **29/691,353**
(22) Filed: **May 15, 2019**

Primary Examiner — Anhdao Doan
(74) *Attorney, Agent, or Firm* — Finnegan, Henderson,
Farabow, Garrett & Dunner LLP

Related U.S. Application Data

(62) Division of application No. 29/640,613, filed on Mar.
15, 2018, now Pat. No. Des. 861,867.

(57) **CLAIM**

The ornamental design for a magnetic resonance tomogra-
phy diagnosis apparatus, as shown and described.

(30) **Foreign Application Priority Data**

Oct. 24, 2017 (JP) 2017-023516
Oct. 24, 2017 (JP) 2017-023518

DESCRIPTION

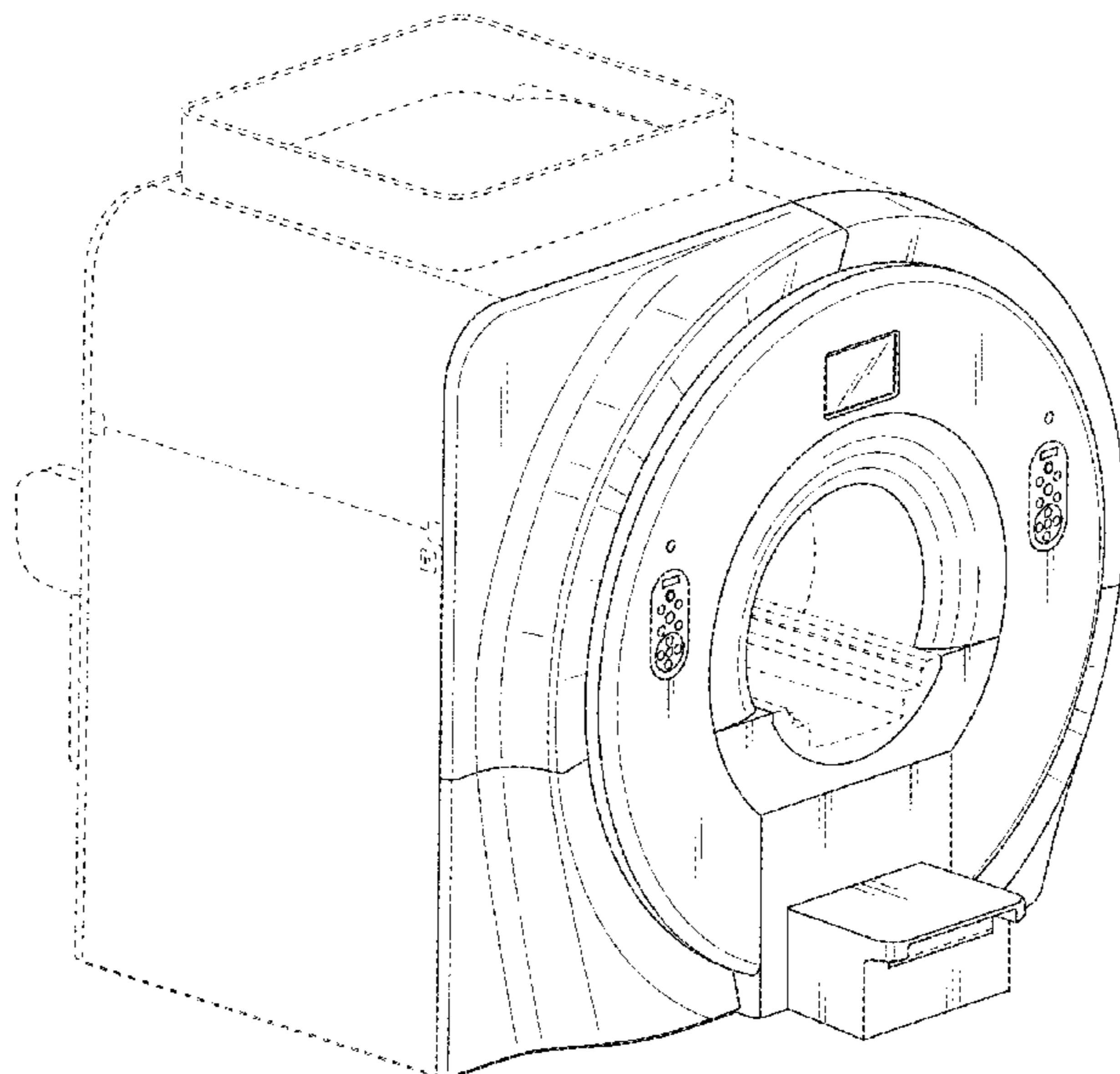
(51) **LOC (12) Cl.** **24-01**
(52) **U.S. Cl.**
USPC **D24/158**
(58) **Field of Classification Search**
USPC D24/107, 158–161, 185, 186, 187, 231
CPC .. A61B 6/03; A61B 6/035; A61B 5/05; A61B
5/055
See application file for complete search history.

FIG. 1 is a front perspective view of a magnetic resonance tomography diagnosis apparatus showing my new design, according to an embodiment thereof;
FIG. 2 is a rear perspective view thereof;
FIG. 3 is a front elevational view thereof;
FIG. 4 is a rear elevational view thereof;
FIG. 5 is a top plan view thereof;
FIG. 6 is a bottom plan view thereof;
FIG. 7 is a left side elevational view thereof;
FIG. 8 is a right side elevational view thereof;
FIG. 9 is a sectional view taken along line 9-9 shown in FIG. 3 with internal mechanism being omitted thereof; and
FIG. 10 is a sectional view taken along line 10-10 shown in FIG. 3 with internal mechanism being omitted thereof.
The broken lines shown in the drawings illustrate portions of the diagnosis apparatus that form no part of the claimed design.

(56) **References Cited**
U.S. PATENT DOCUMENTS

D701,309 S 3/2014 Ohmukai
D715,945 S 10/2014 Zhang
D738,505 S 9/2015 Eberler et al.
D758,587 S 6/2016 Eberler et al.

1 Claim, 10 Drawing Sheets



(56)

References Cited

U.S. PATENT DOCUMENTS

D794,799 S 8/2017 Achleitner et al.
D806,878 S 1/2018 Chang et al.
D861,867 S * 10/2019 Chang D24/158
D864,393 S * 10/2019 Chang D24/158

FOREIGN PATENT DOCUMENTS

JP 1282246 9/2006
JP 1282248 9/2006
JP 1359834 3/2010
JP 1439213 4/2012
JP 1439215 4/2012
JP 1456737 12/2012
JP 1456980 12/2012
JP 1562665 11/2016
JP 1562666 11/2016
KR 30-0757665 8/2014
KR 30-0777156 12/2014

* cited by examiner

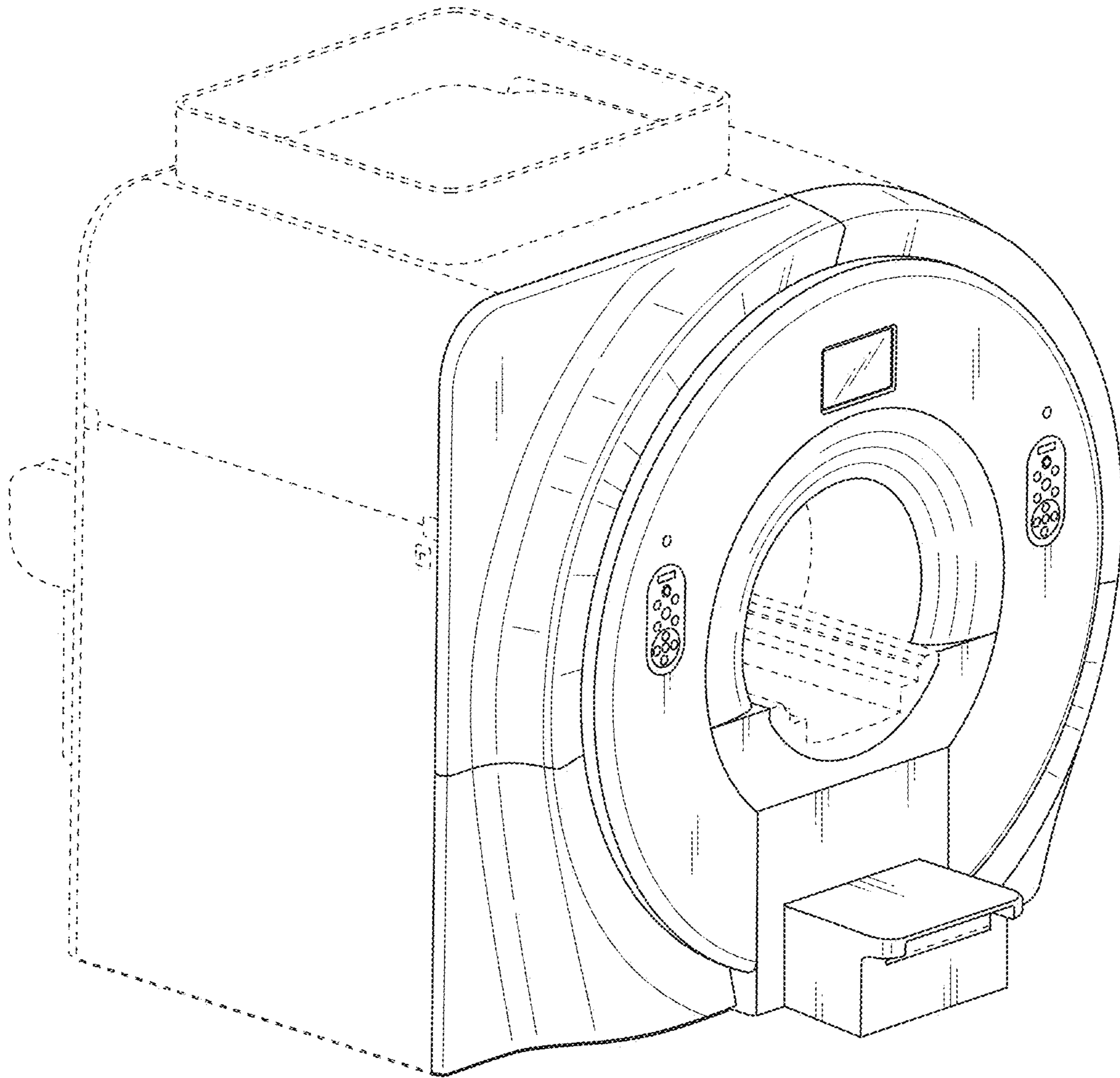


Fig. 1

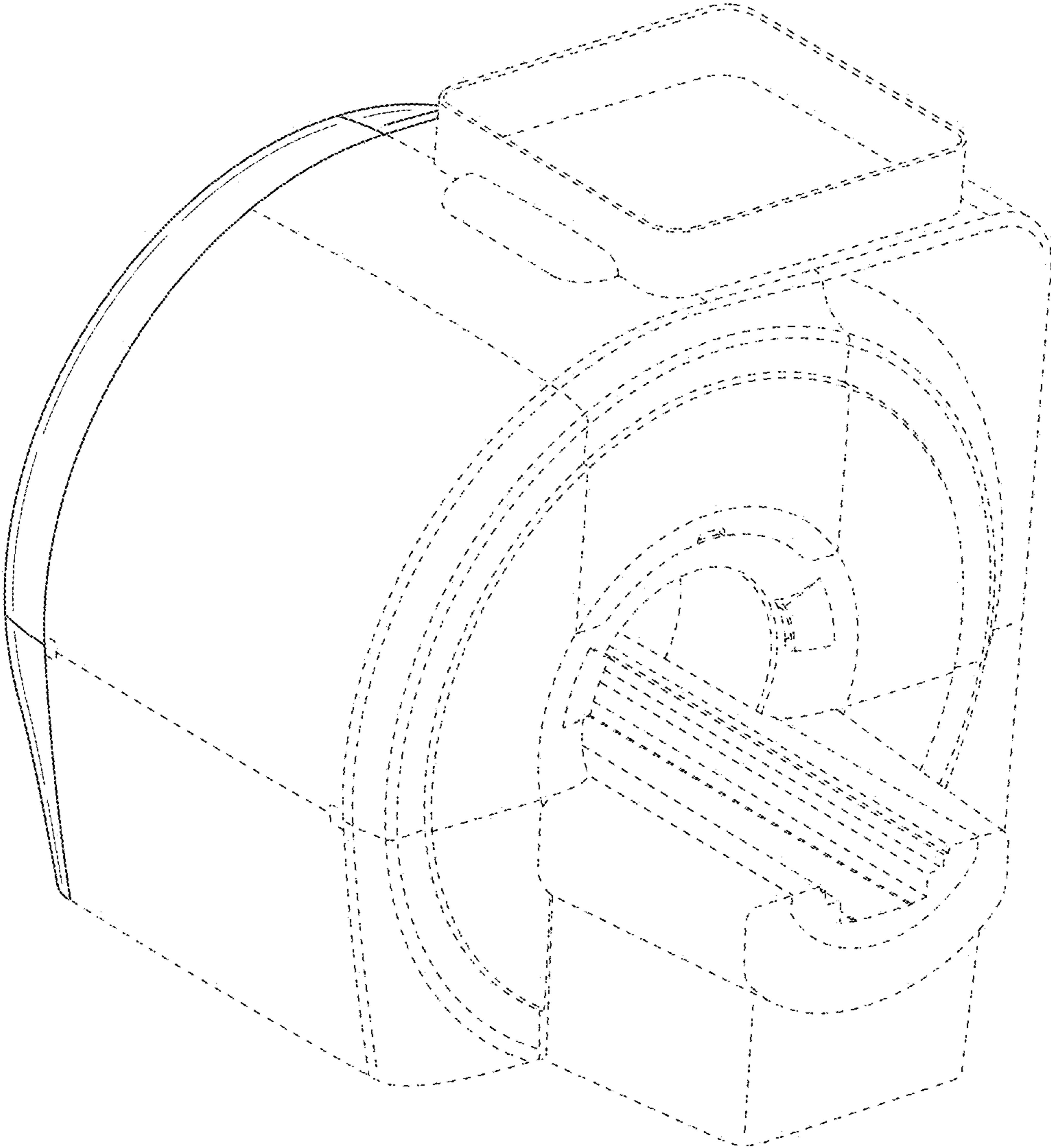


Fig. 2

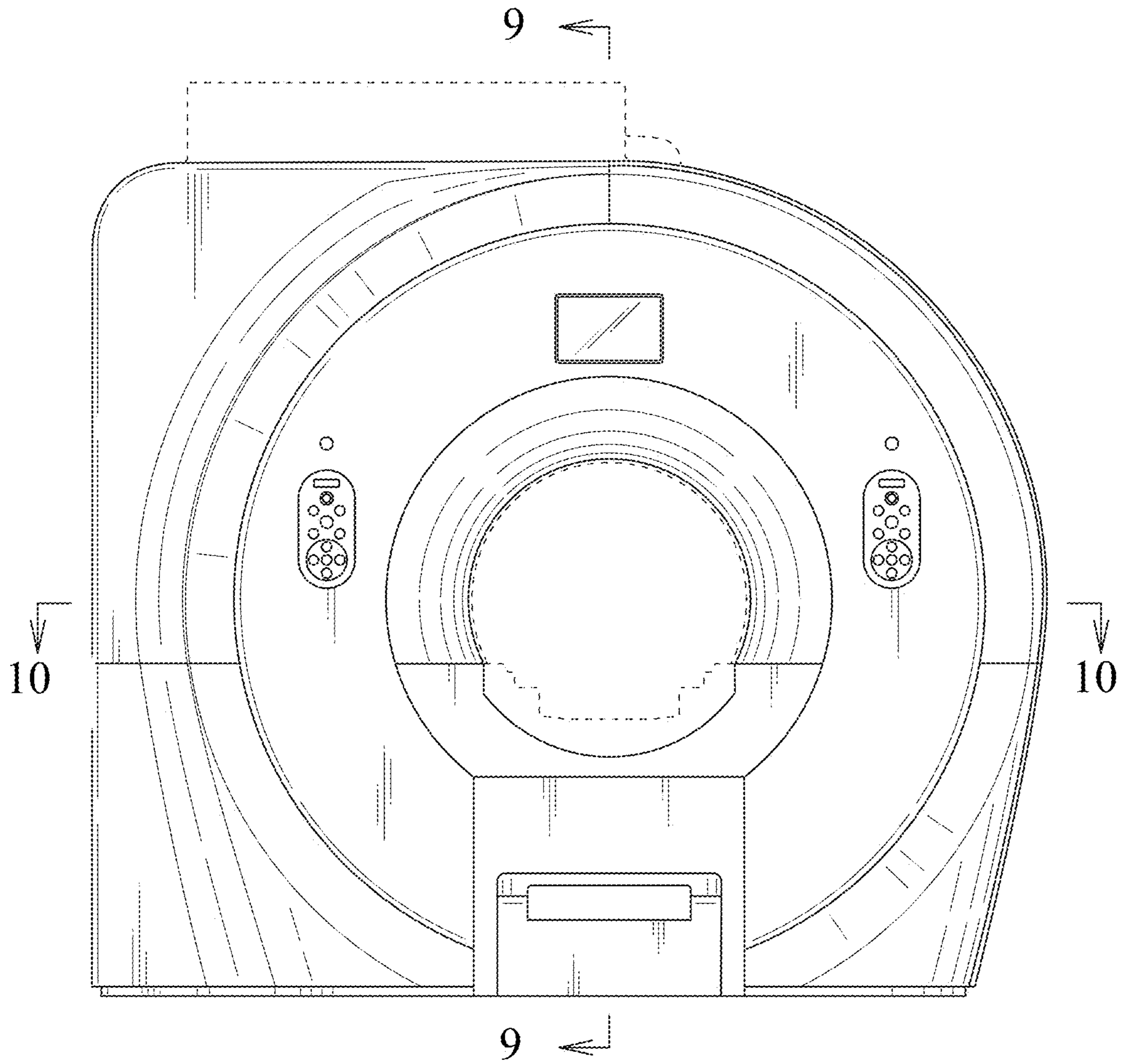


Fig. 3

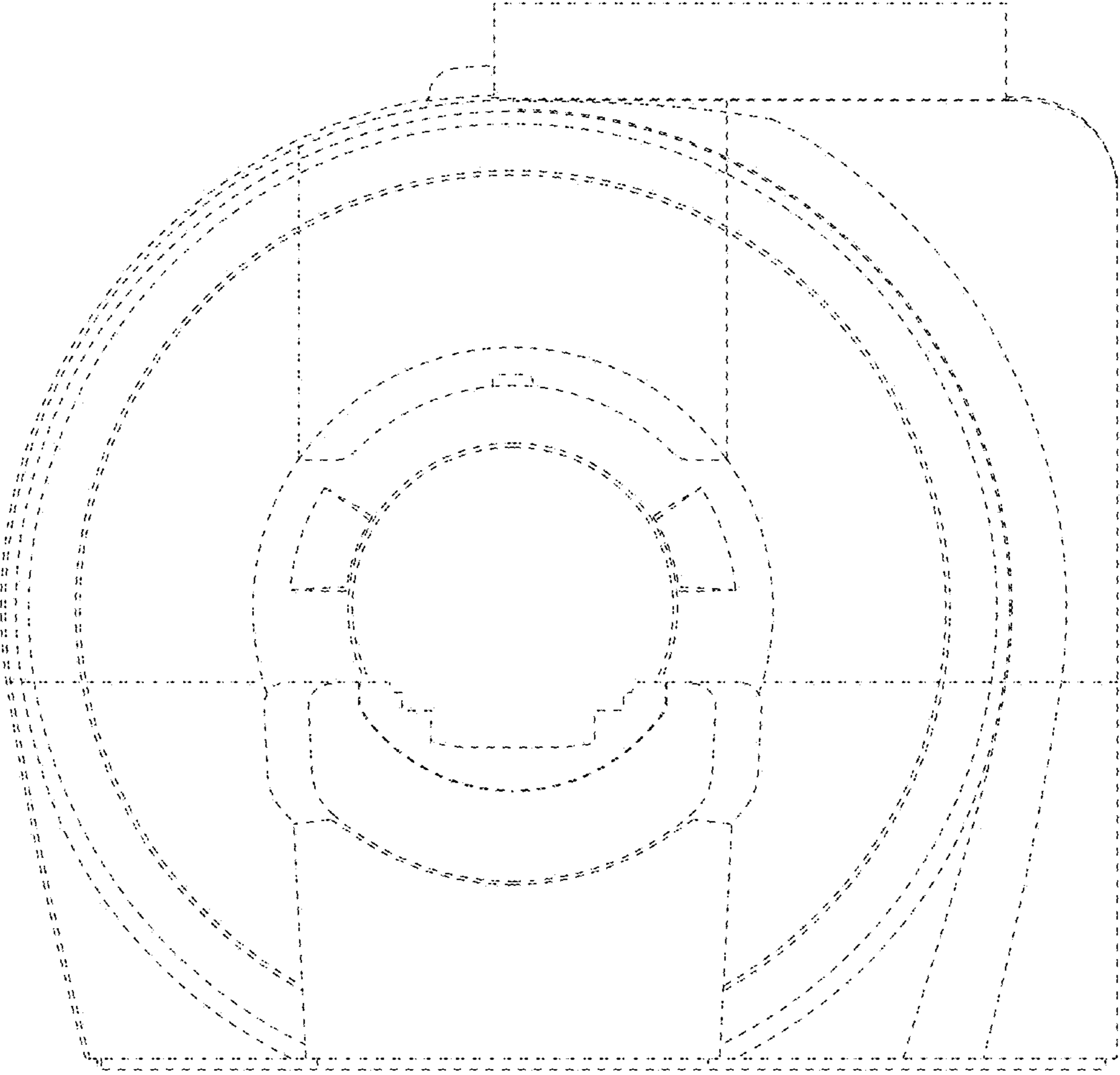


Fig. 4

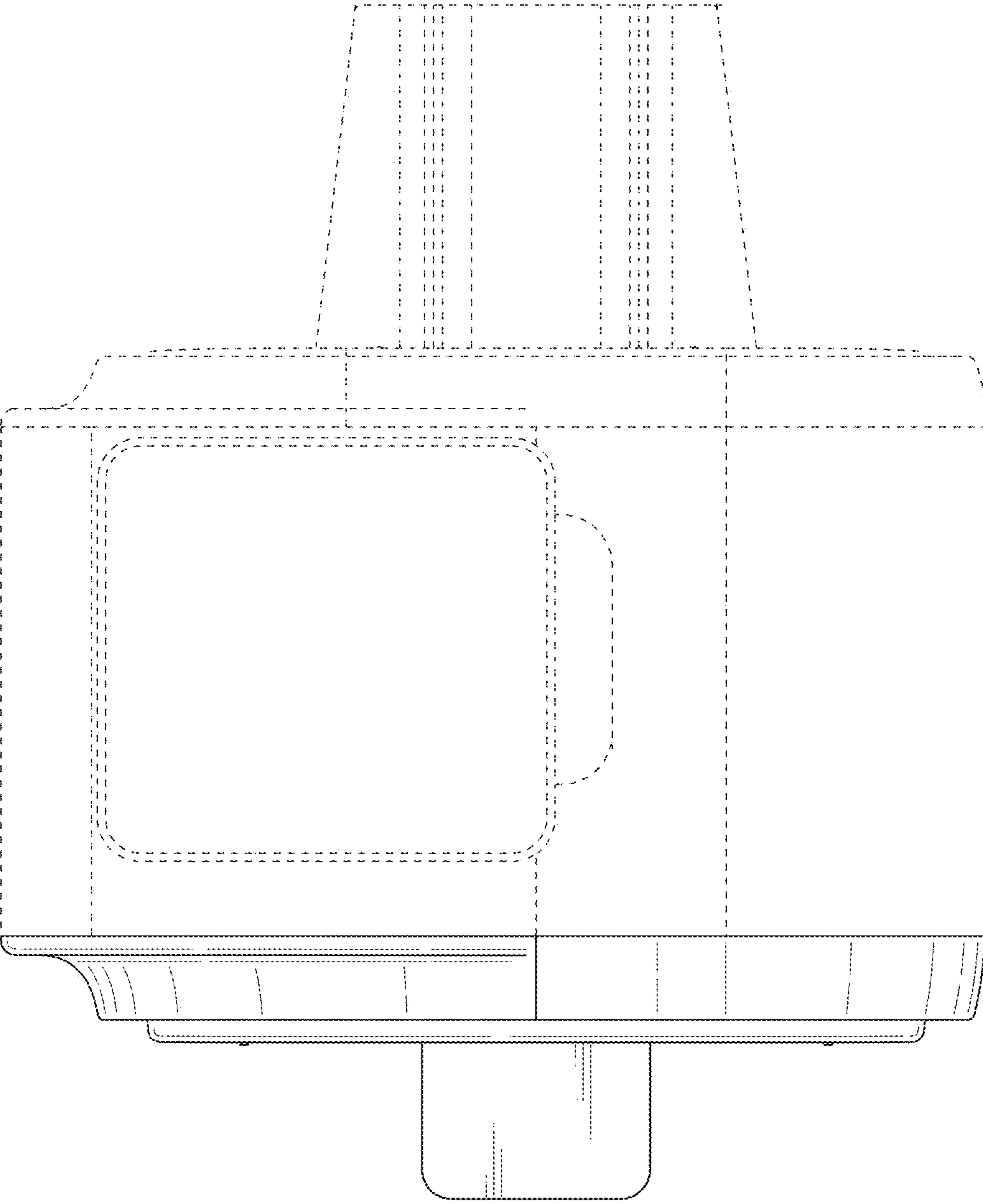


Fig. 5

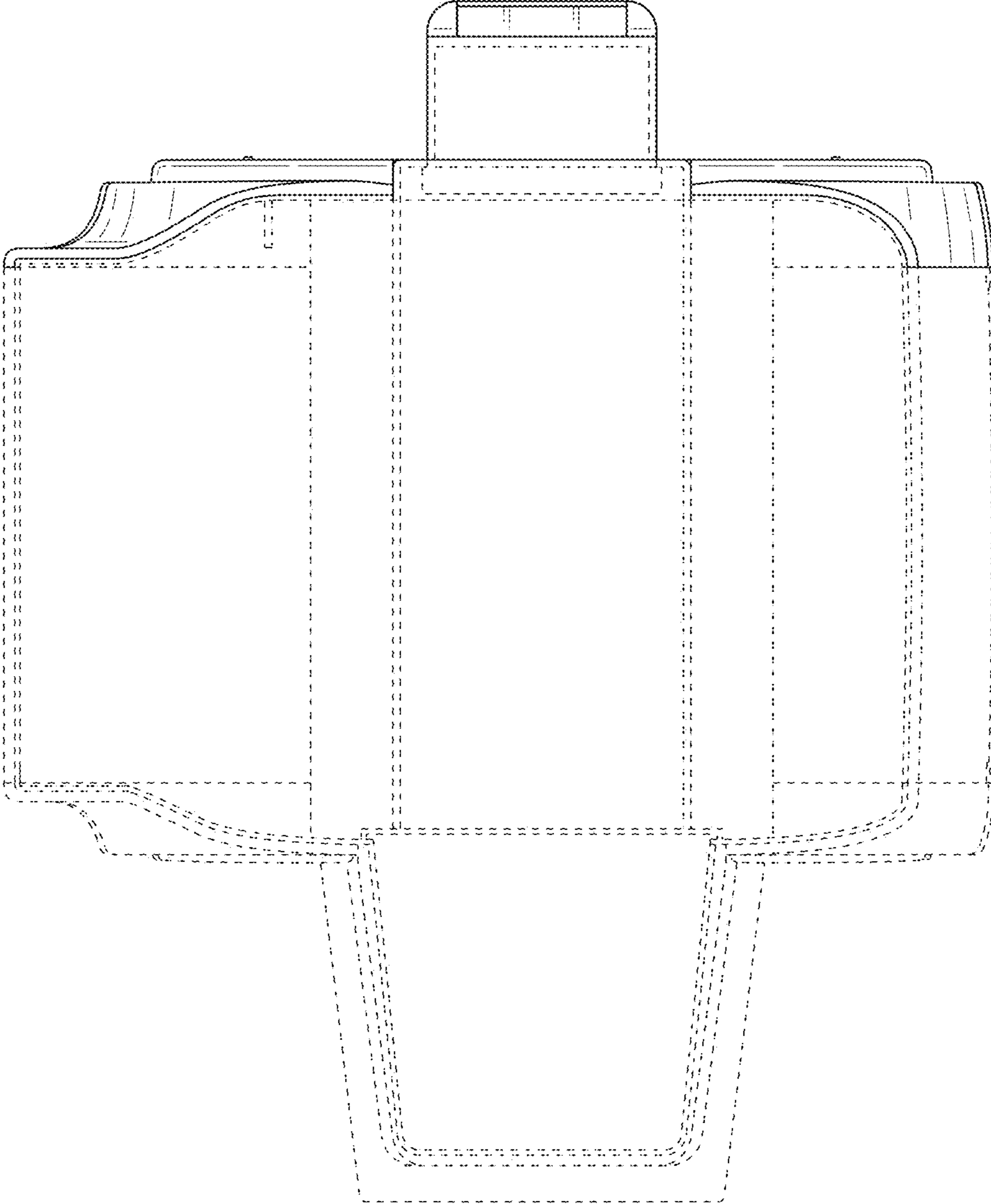


Fig. 6

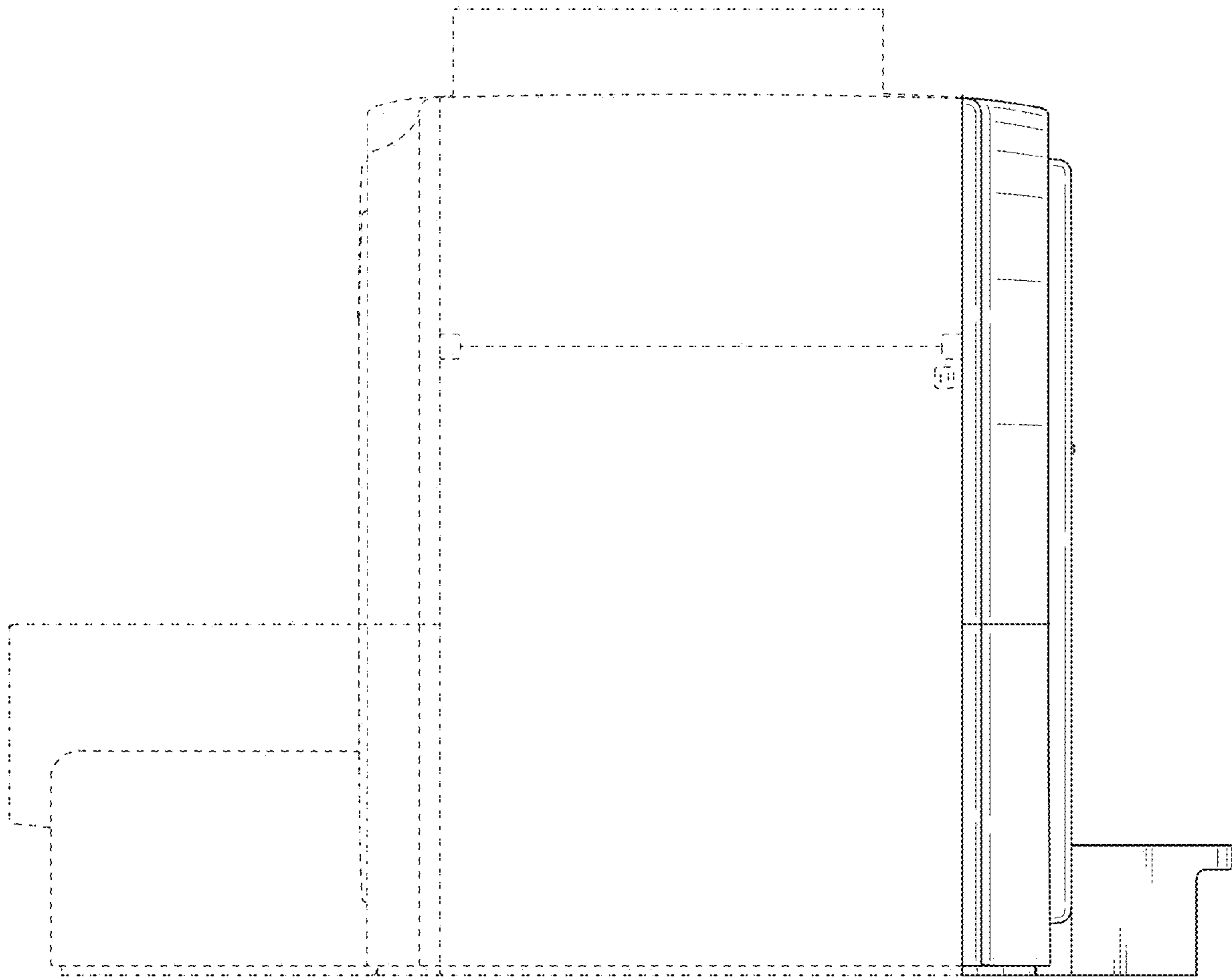


Fig. 7

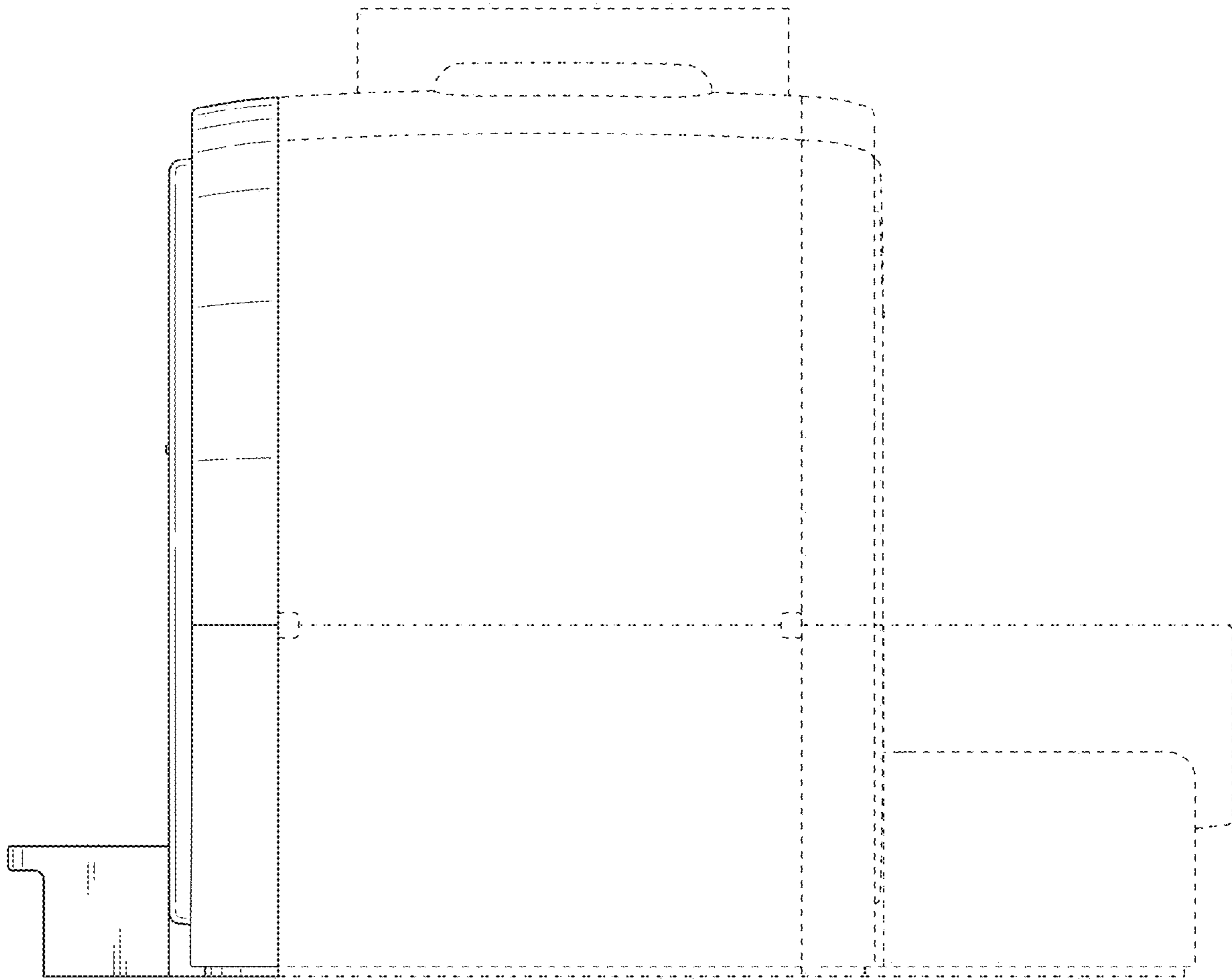


Fig. 8

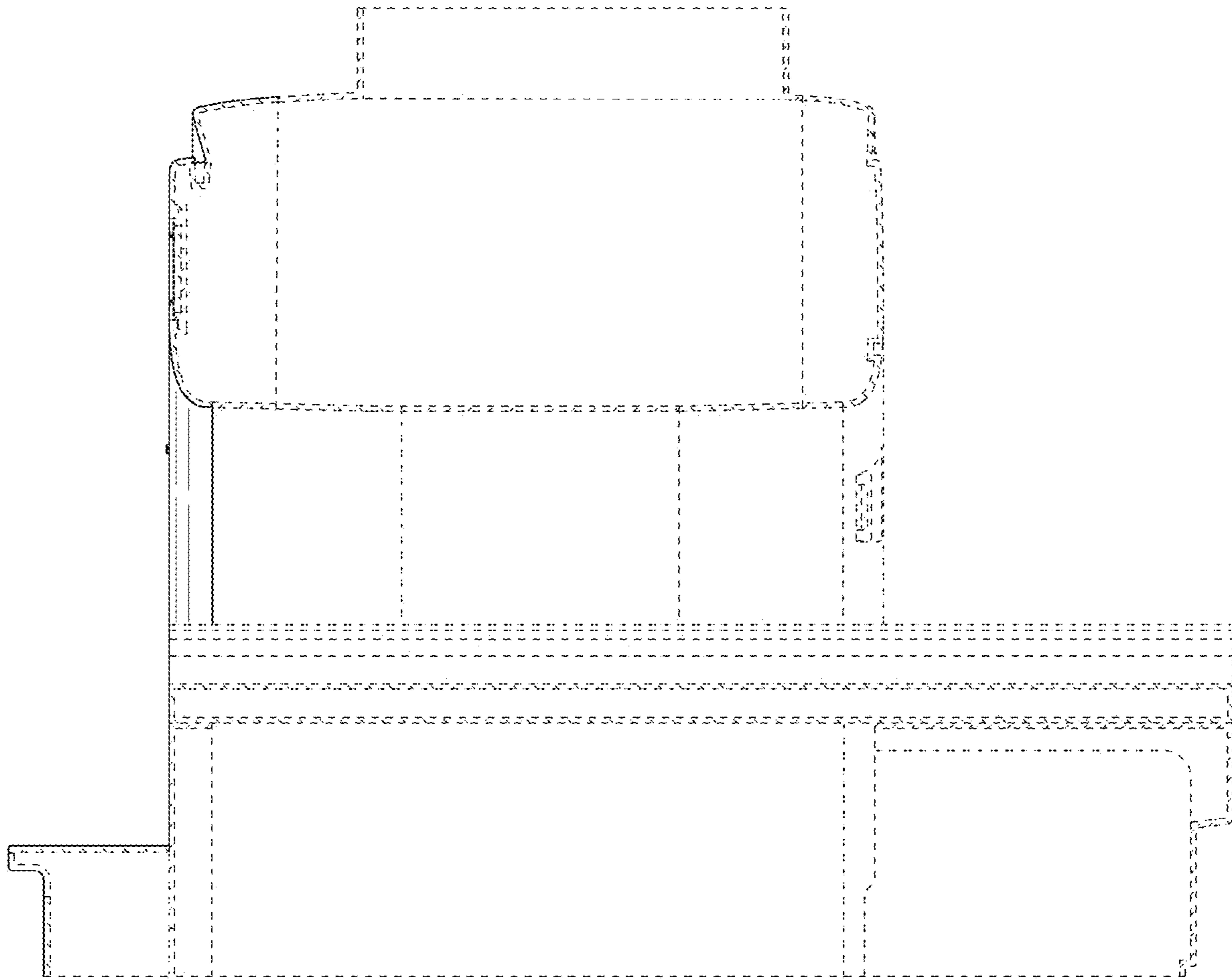


Fig. 9

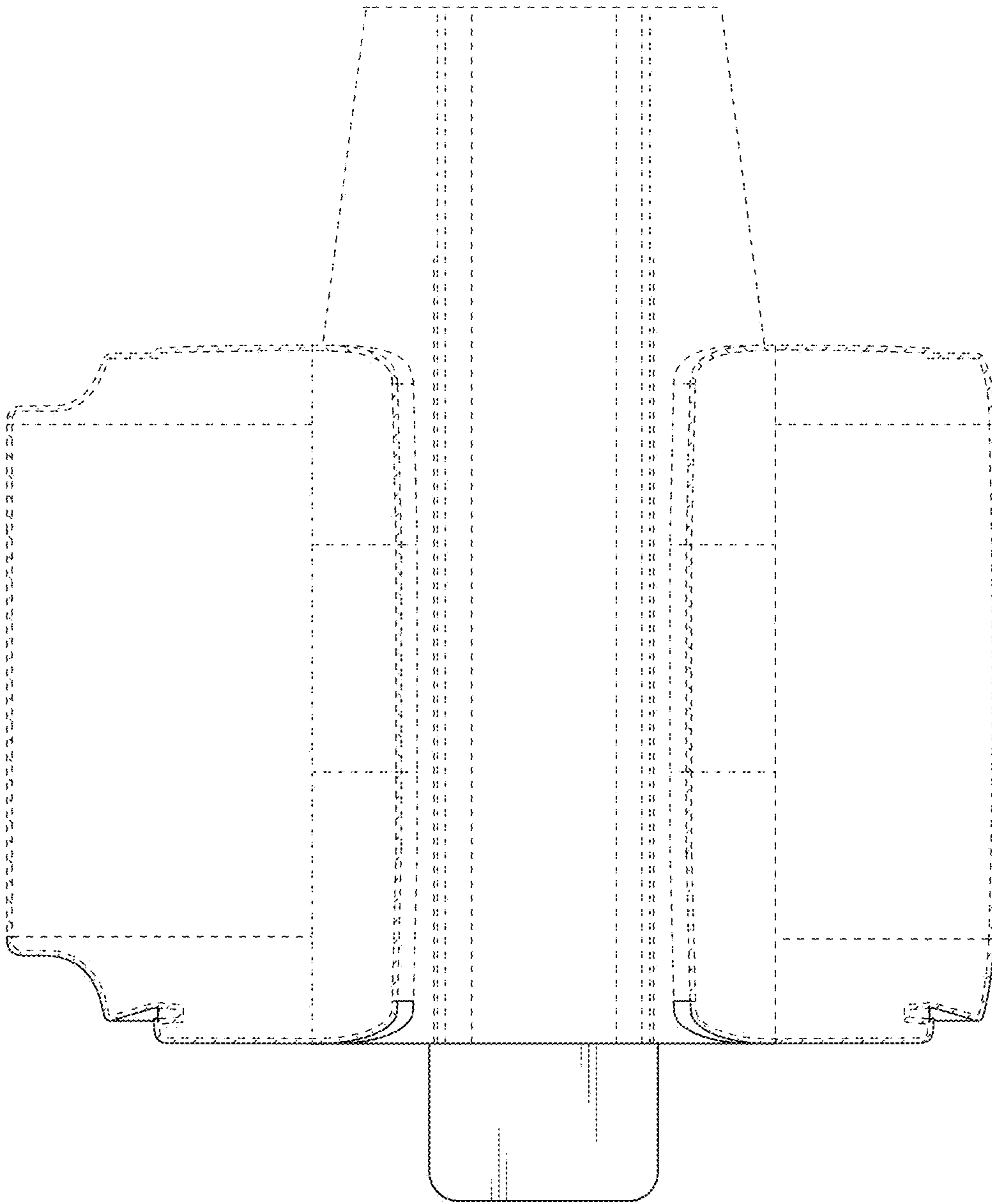


Fig. 10

UNITED STATES PATENT AND TRADEMARK OFFICE
CERTIFICATE OF CORRECTION

PATENT NO. : D887,004 S
APPLICATION NO. : 29/691353
DATED : June 9, 2020
INVENTOR(S) : Shianwei Chang

Page 1 of 1

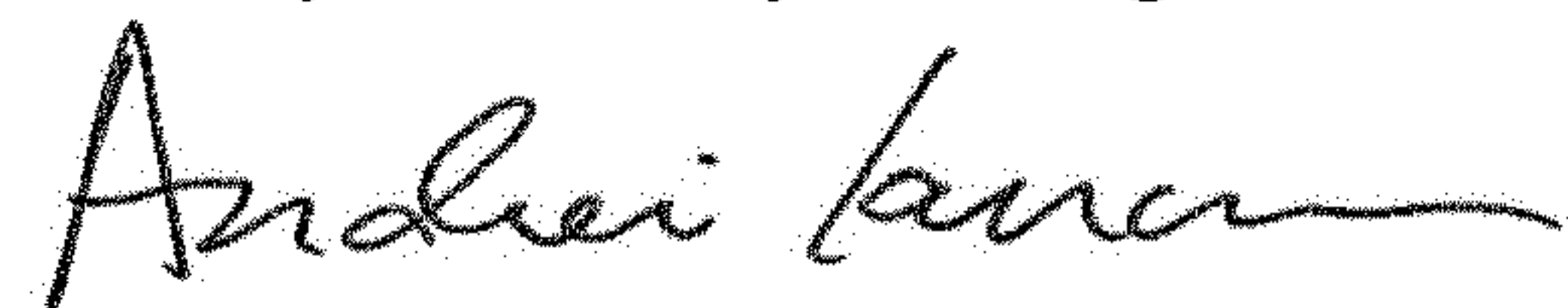
It is certified that error appears in the above-identified patent and that said Letters Patent is hereby corrected as shown below:

On the Title Page

Item (71), Applicant's address "Otawara-shi (JP)" should read -- Otawara-shi, Tochigi (JP) --.

Item (72), Inventor's address "Kawasaka" should read -- Kawasaki --.

Signed and Sealed this
Twenty-fifth Day of August, 2020



Andrei Iancu
Director of the United States Patent and Trademark Office